

BALDWIN®



ESTATE™
PRICEBOOK DECEMBER 2023



BALDWIN®

what's new

THE LAUNCH OF GRAMERCY

This innovative collection introduces Mortise and Tubular Entry Sets, Levers, and Cabinet Hardware designed to harmonize with diverse home hardware selections. Drawing inspiration from the timeless Bauhaus movement, Gramercy captivates with its sleek lines and modern design. The incorporation of knurled textures and mixed metals, reminiscent of the intricate patterns of Gramercy Park gates, adds an air of sophistication and enduring allure to this exceptional new range.



GRAPHITE NICKEL PVD FINISH

Introducing the new Lifetime (PVD) Graphite Nickel finish to Baldwin Estate. This dark nickel finish creates depth and enhances all hardware features with its soft luster, lending itself to look stunning in both contemporary and traditional designs. Available February 2023, you can find the new Graphite Nickel finish (076) available throughout the entire Estate portfolio and in a variety of Quick Ship items.



CABINET HARDWARE

Baldwin is thrilled to introduce a complete refresh of our Cabinet Hardware offering. Introducing 9 beautiful new collections, featuring both bold contemporary and elegant traditional designs. We have taken design cues from some of our most popular knob and lever styles and brought them into this offering to complete the home from door to cabinetry. The entire suite is now available with consistent sizing, finishes and pricing.



finishes

Baldwin Hardware takes pride in offering a diverse selection of premium finishes, all conveniently priced the same for a seamless ordering experience.

Our commitment to simplicity is matched by the extensive range of finishes, including PVD, Living, and Lacquered options. From the lasting durability of PVD to the timeless elegance of Living and the protective charm of Lacquered finishes, Baldwin Hardware ensures that every customer finds the perfect aesthetic touch without compromising on quality or ease of selection.

LIFETIME PVD FINISHES



003

Lifetime (PVD)
Polished Brass

044

Lifetime (PVD)
Satin Brass

055

Lifetime (PVD)
Polished Nickel

056

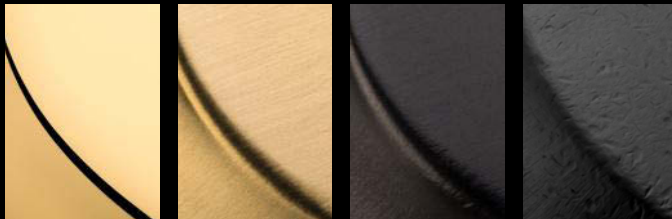
Lifetime (PVD)
Satin Nickel

076

Lifetime (PVD)
Graphite Nickel

Our newest Graphite Nickel PVD finish is 2023 NYCxDESIGN Awards honoree. A truly stunning addition to Baldwin's PVD finish options.

LIVING FINISHES



031

Non-lacquered
Brass

033

Vintage Brass

102

Oil Rubbed Bronze

402

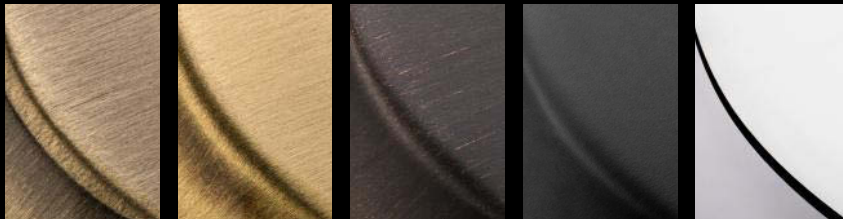
Distressed Oil
Rubbed Bronze

LIVING FINISH

Our Living finishes are designed to evolve over time, adding character to your hardware. Please note that these finishes are not covered by our finish warranty, as their natural transformation is an integral part of their charm.

Product finishes which are LIVING will vary over time. They are not eligible for finish warranty

NON-LIVING FINISHES



050

Satin Brass & Black

060

Satin Brass & Brown

112

Venetian Bronze

190

Satin Black

260

Polished Chrome

HAND-RELIEVED FINISH VARIANCES

Our Non-Living / Lacquered product finishes exhibit variations in luster, hue, and appearance due to the artisanal intricacies involved in the final finishing stages.

BALDWIN #	US #	BHMA #
003 =	3	–
044 =	4	606
050 =	5	609
056 =	15	–
102 =	10B	613
190 =	19	622
260 =	26	625

CARE OF BALDWIN FINISHES

We recommend the following to help prolong the hardware finish:

- Wait until nearby surfaces that have been treated with acid or chemicals has been completed before installing the hardware.
- Do not use any type of harsh chemicals on Baldwin door hardware.
- Be sure all surface paint or stain is fully dried before installing Baldwin hardware.
- Remove hardware when re-painting and do not re-install until paint is thoroughly dry.
- Avoid hitting your hardware with rings, keys or other sharp instruments.

031 LIVING FINISH RECOMMENDED MAINTENANCE

This finish has been developed to age and patina over time. If you feel you do need to clean 031 finish use a soft cloth dampened with a mild, soapy water, and dry immediately with a soft cloth.

033 LIVING FINISH RECOMMENDED MAINTENANCE

Use rubbing alcohol and a soft cloth to remove any residual wax that may be on the hardware. Next, take a piece of Ultra Fine Scotch-Brite pad and randomly rub the hardware to remove any stains or dirt. Use a wood floor paste finishing wax, such as Minwax, and apply a light coat all over. Be sure to apply in the details of the hardware. Allow the wax to dry to a haze, then buff off the wax with a soft cloth.

102 AND 402 LIVING FINISHES RECOMMENDED MAINTENANCE

Treat new hardware as soon as it is installed with a thin coat of 3-In-One Oil or its equivalent, which can be purchased at a local home center. Coat the entire surface generously and let it stand for a few minutes. Dab off the excess with a soft material. Do not wipe the product as it could remove the oxidation from the hardware. We suggest repeating this process every couple of months, but over time areas that are touched by the hand will reveal the brass substrate below. Areas that are not touched will remain the same in appearance as long as the finish is maintained.

MAINTAINING OIL RUBBED BRONZE FINISHES

HOW IS THE FINISH CREATED?

Today Baldwin creates the 102 and 402 finishes through a process of oxidation of the material. The color you see is actually obtained by immersing metal in a special chemical solutions which, when properly heated, reacts with the material and causes oxidation. To preserve this appearance, we coat it with a thin coat of wax and oil.

HOW SHOULD THE FINISH BE MAINTAINED?

After the hardware has been installed, the oil and wax may have been wiped off or worn away. We suggest treating the new hardware trim as soon as it's installed with a thin coat of light oil. 3-IN-ONE Oil or its equivalent will suffice. Coat the entire surface generously and let it stand for a few minutes. Then wipe off the excess lightly with a soft material. Care must be taken when treating the hardware not to saturate the finished surface of the door. This procedure should be repeated as needed and will depend on the amount of use, exposure to weather and wear of the hardware.

HOW WILL THE FINISH AGE?

Over time the oxidation will be worn away in those areas that are touched by the hand and reveal pleasing copper alloy tones. Areas that are not touched will remain the same in appearance as long as the finish is maintained. The general look of well maintained oil rubbed bronze is one of the most beautiful and practical hardware finishes available today, however on-going maintenance is mandatory to preserve its appearance.

YOU ASKED FOR IT AND WE HEARD YOU!

Embarking on an exhilarating new chapter, Baldwin Hardware is thrilled to unveil its affiliation with the esteemed parent company, Assa Abloy. As we stride into the present year, we extend a heartfelt invitation to you to explore the nuances that set Baldwin Hardware apart – an invitation to detect the distinction of invest in luxury.

We are proud of the unveiling of the Gramercy line, a testament to our dedication to pushing design boundaries. This dynamic collection seamlessly integrates knurled textures and mixed metals into every corner of your home.

Highlighting our commitment to efficiency and quality, Baldwin's Quick Ship program stands as a beacon of streamlined production processes and rapid turnaround times. A true embodiment of our pledge to deliver top-tier craftsmanship without compromise.

Prepare to elevate your expectations as Baldwin Hardware embraces a future brimming with innovation, luxury, and unparalleled distinction.

BALDWIN[®]

a Reflection of you



Available Quick Ship styles & functions are marked with the Quick Ship logo and red font throughout the price book.

BALDWIN

Ordering & Shipping Lead-Times



BALDWIN QUICKSHIP PROGRAM

Quick Ship is designed to expedite shipping of our most popular styles, designs, and finishes to customers. Over 5,200 products are available through Baldwin Quick Ship and customers will be delighted to know their order will be processed and shipped within five business days (normal leadtimes if specialty keying is required), from order confirmation. The Quick Ship program is available in limited functions and finishes.

BALDWIN ESTATE, GENERAL HARDWARE & CABINET HARDWARE

Unless otherwise communicated, all products in these categories will ship from the Baldwin distribution center within 4 weeks from date of order entry. Need something quicker? Our Quick Ship program will ship within 5 business days from date of order entry.

BALDWIN MULTI-POINT TRIMS

Unless otherwise communicated, all products in this category will ship from the Baldwin distribution center within 4 weeks from date of order entry.

FREIGHT AND EXPEDITED FREIGHT

Orders receive freight prepaid by Baldwin. Baldwin will utilize standard ground transportation unless otherwise indicated. In addition to ground freight, Baldwin offers 3 types of expedited freight at the customer's cost: Next Day, Two Day & Three Day. To request expedited freight just indicate which of the 3 options you prefer.

HOW DO I REQUEST SAME DAY SHIPMENTS?

To receive same day shipment on any of your orders please verify that the items are in stock. This can be done by checking Baldwin Express or calling Baldwin Customer Service. If the item is available, contact Baldwin Customer Service to make us aware that your order is being sent and that it needs to be shipped that day. Orders must be received by Baldwin prior to 10:30 a.m. EST and should be sent to the attention of the Customer Service Representative that you notified. Please note "ship today" on the order and if you want to use expedited freight. i.e. – Next day, Two day, etc.

How To Order & Installation

Essentials	4
Part Numbers & Process	5
How to Order & Installation Examples	6

Pre-configured Knob & Lever Sets

Knobs	13
Levers	19
Tubular Keyed Knobs	28
Tubular Keyed Levers	30

A La Carte Knobs & Levers

Knobs	34
Levers	40
Rosettes	51
Latches	63
Interior Knob & Lever UL Kits	63
Strikes	65
Spindles	66
Mortise Bolts	68
Turn Piece	69
Turn Knobs	70
ER Trim	71
Spare Parts & Installation Tools	72
Communicating Door Kits	74

Tubular Handlesets

Specification	77
Entrance Sets	79

Electronic Deadbolts

Touchscreen Specification	95
Touchscreen Deadbolts & Handlesets	96
Keypad Entry	101

Deadbolts

Specifications	105
UL Kits	110
Deadbolt Accessories	111

Mortise Lock Trims, Locks, & Cylinders

Specifications	115, 147, 156
Trims	116
Thick door kits	145
Entrance Functions Locks	149
Grade 1 Locks	151
Interior Functions Locks	153
Deadlocks	155
Electrified Locks	156
Strikes	157
Armored Fronts	158
Lock Trim Thickness Index	159
Cylinders - C Keyway Table	160
Cylinder Accessories	162
Cylinder Trim	163
Key Blanks	166
Replacement Parts	167
Tools & Accessories	168

Sliding Door Locks

Pocket Doors	171
--------------	-----

Multi-Point

How to Order	179
Configurations	183

Rim Locks and Cremone Bolts

Standards & Specifications	196
Passage, Privacy, and Entrance	197
Trim & Accessories	198
Cremone Bolts	200

General Hardware

Letter Box Plates	204
Door Knockers	205
Bell Buttons	207
Door Guards & Surface Bolts	208
Flush Rings & Edge Pulls	210
Costume Hooks	213
Flush Bolts & Strikes	214
Kick Plates	215
Push Plates and Pulls	216
Door Stops	220
Mortise Hinges	222

Cabinet Hardware

Cabinet Hardware	228
------------------	-----

Index

Numerical	242
Alphabetical	247

Lock Types:

1) Mortise



2) Tubular



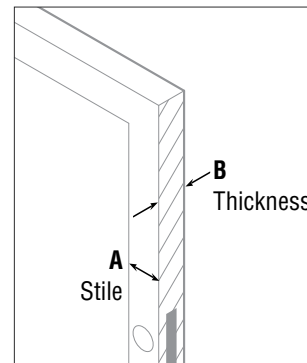
Door Types:

- Wood, Fiberglass & Hollow Metal
- Hollow Fiberglass & Metal doors do NOT allow for any mortise lock installation

Door Prep:

- 1) Pre-drilled for Mortise
- 2) Pre-drilled for 2.125" bore hole Tubular
- 3) Un-prepped (blank door) – ideal for tubular latch or mortise installations (Estate Passage – 0.625" hole for spindle; Estate Privacy – prep varies, see Installation Instructions)
- Adaptors can retrofit most Estate Tubular hardware to 2.125" bored doors, but only large rosettes cover bore hole
- Tubular locks CANNOT be used on Mortise-prepped doors
- Mortise locks can rarely be used on 2.125" bore Tubular-prepped doors

DOOR THICKNESS & STILE



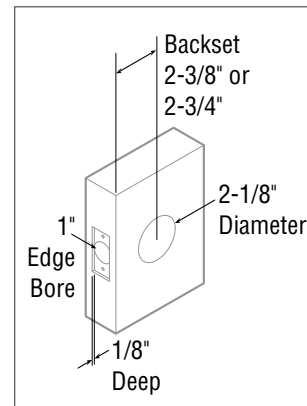
Door Thickness:

- Industry Standards – 1.75" (Exteriors) & 1.375" (Interiors)
- Doors ≥ 2.50" Thick limits hardware options – Contact Customer Service
- Exterior Doors < 1.75" Thick limits hardware options
- Escutcheon thickness determines cylinder & spindle lengths needed (see Inside Back Cover)

Door Stile Width:

- Narrow Stiles (4" or less) limit backset & escutcheon trim options
- 3" or less Stile severely limits Mortise Lock Function, & Escutcheon options

DOOR BACKSET



Door Backset:

Measurement from edge of door (where it latches) to centerline of lock or doorknob

Door Handing:

- Certain Lock Types require correct handing (Exterior Levers, Mortise Boxes, Half Dummy Levers)
- HAND OF DOOR ALWAYS DETERMINED FROM OUTSIDE

A few rules to follow:

- The outside of an exterior door is the street or entrance side
- The outside of a room door is the hall side
- The outside of a single communicating door is the side from which the hinges are not visible when the door is closed
- The outside of a closet door is the room or hall side

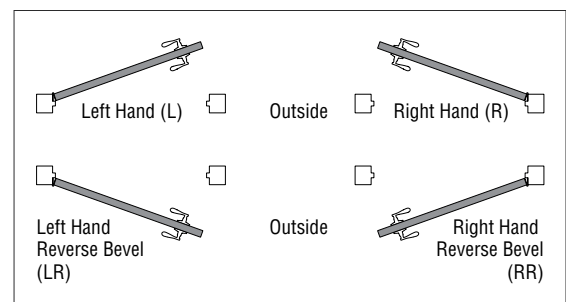
Right Handed: hinges on RIGHT – door swings IN

Left Handed: hinges on LEFT – door swings IN

Right Hand Reverse Bevel: hinges on RIGHT – door swings OUT

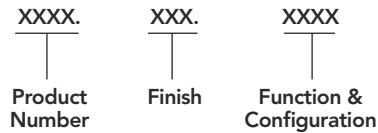
Left Hand Reverse Bevel: hinges on LEFT – door swings OUT

DOOR HANDING



BALDWIN PART NUMBERS ARE MADE UP OF THREE PARTS SEPARATED BY PERIODS:

- 1) Product Number communicates Style
- 2) 3-digit Finish
- 3) Suffix communicates Function/Configuration



ORDERING ESTATE KNOBS & LEVERS, A LA CARTE

1) SELECT KNOB/LEVER

ex: 5455v.056.MR - 5455V Lever, Satin Nickel, Minus Rose

2) SELECT ROSE (or ESCUTCHEON)

ex: 5148.056 – Traditional Rose.Satin Nickel

3) SELECT LATCH (or MORTISE LOCK)

ex: 5513.056.P – 2.375” Tubular Latch. Satin Nickel.Privacy

4) ADDITIONAL HARDWARE

See following 'HOW TO ORDER' pages for other hardware that may be needed. Eg. pre-drilled door adaptor, privacy pin extension for thicker doors, spindles, etc.

SUFFIXES

KNOBS & LEVERS:

Function Code	Description
.MR	Pair of Knobs or Levers, Minus Rose
.IMR	One Knob, Minus Rose
.RMR	One Right Lever, Minus Rose
.LMR	One Left Lever, Minus Rose
.PASS	One Preconfigured Passage Set
.PRIV	One Preconfigured Privacy Set
.FD	One Preconfigured Full Dummy Set
.IDM	One Preconfigured Half Dummy Knob Set
.RDM	One Preconfigured Right Hand Half Dummy Lever Set
.LDM	One Preconfigured Left Hand Half Dummy Lever Set

LATCHES:

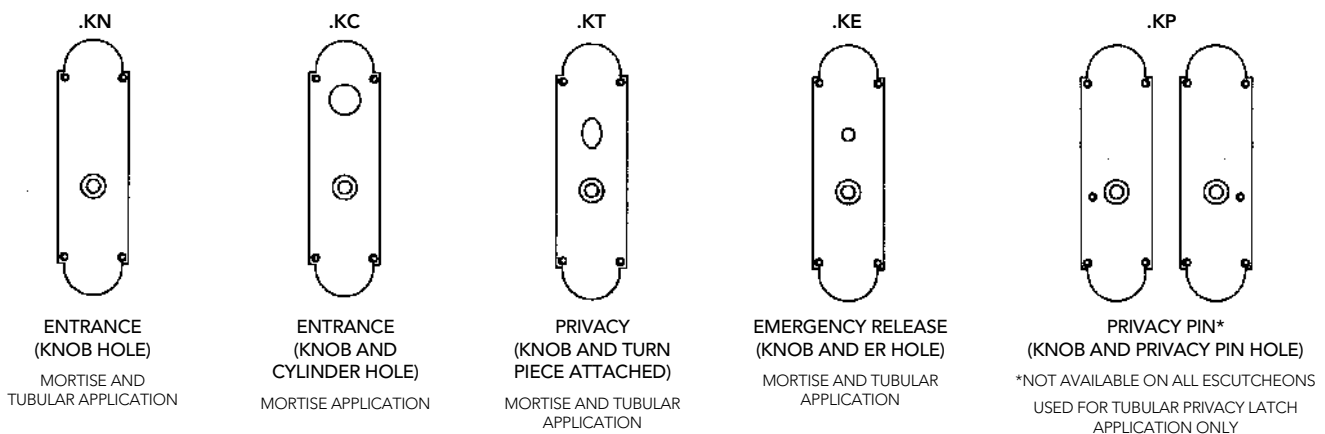
Function Code	Description
No suffix	Passage Latch
.P	Privacy Latch

ROSETTES:

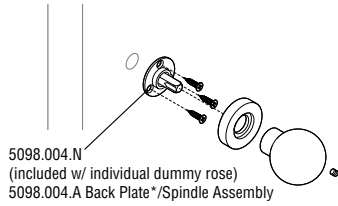
Function Code	Description
No suffix	Pair, Active
.FD	Pair, Dummy
.I	Half Pair, Active
.IDM	Half Pair, Dummy
.PS	Pair, Passage Active
.PV	Pair, Privacy Active
.IPS	Half Pair, Passage Active
.IPV	Half Pair, Privacy Active

ESCUTCHEON PLATE CONFIGURATIONS

Ordered in half pairs except for privacy (.KP) cut-outs which are ordered in pairs.



Half Dummy w/ Rose



HOW TO ORDER

WHAT YOU NEED:	PART # EXAMPLE	PAGE #
Knob – Individual Minus Rose (.IMR)	5000.056.IMR	34
Handed Lever – Right Minus Rose (.RMR or .LMR)	5162.056.RMR	44
Rose – Individual (.IDM)	5002.056.IDM	51

(Rose .IDM includes 5098.004.N Half Dummy back plate)

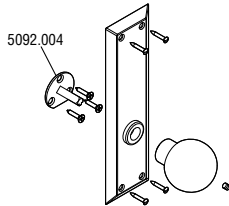
INSTALLATION

- Position 5098.004.N* Back Plate with dummy spindle at desired location and relieve the door surface to allow flush seating of the back plate. (NOTE: the word "TOP" is marked on the back plate for exact alignment.)
- Install screws into back plate.
- Thread rose onto back plate and install trim.

NOTE: Nos. 5084/5094 Rigid Mounting Trim is available for thru bolt Dummy Mount applications.

*For exposed screw mounted roses, appropriate half dummy spindle is supplied standard.

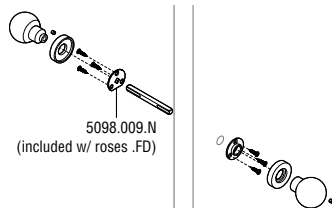
Half Dummy (Escutcheon Plate)



WHAT YOU NEED:	PART # EXAMPLE	PAGE #
Knob – Individual Minus Rose (.IMR)	5000.056.IMR	34
Handed Lever – Right Minus Rose (.RMR or .LMR)	5162.056.RMR	44
Escutcheon Plate – .KN	6794.056.KN	127
Half Dummy Spindle*	5092.004	67

*See Spindles section for length needed

Full Dummy

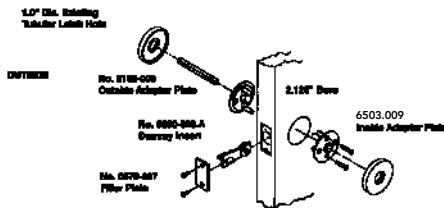


WHAT YOU NEED:	PART # EXAMPLE	PAGE #
Knob or Lever – pair Minus Rose (.IMR)	5000.056.IMR	34
Rose – pair Full Dummy (.FD)	5048.056.FD	51
Spindle* – 3.5" standard for install w/ roses	0510.004	66

*See Spindles Chart for length needed on thicker doors

*See Spindles section for length needed

Full Dummy w/ Pre-Drilled Cut-Out

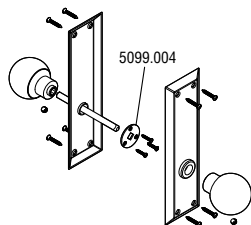


WHAT YOU NEED:	PART # EXAMPLE	PAGE #
For 2.125" Pre-drilled Doors add: Adaptor	6503.009	64
Dummy Insert & Filler Plate (plugs latch hole)	5090.020.A	67
Spindle* – 3.5" standard for install w/ roses	0510.004	66

*See Spindles Chart for length needed on thicker doors

- Install 55090.020.A Dummy Insert into tubular latch hole.
- Position 6503.009 Adaptor (with threaded studs attached) on outside of door and 6503.009 Adaptor on inside face of door.
- Install screws through the inside Adaptor and thread screws into studs.
- Install 0579.007 Filler Plate on edge of door.
- Thread roses onto 6503.009 Adaptor Set.
- Insert spindle and install trim.

Full Dummy (Escutcheon Plate)



WHAT YOU NEED:	PART # EXAMPLE	PAGE #
Knob or Lever – pair Minus Rose (.MR)	5000.056.MR	34
(2) Escutcheon Plates – Cut for Knob/Lever (.KN)	6794.056.KN	127
(2) Dummy Trim Plates	5099.004	67
Spindle* – 4"	0511.004	66

*See Spindles Chart for length needed

- Drill a .625" (16mm) hole completely through the door.
- Insert spindle through drilled hole with the V grooves down and toward the bottom hinge.
- Slide 5099.004* Back Plates over spindle. (NOTE: the word "TOP" is marked on the back plate for exact alignment.)
- Install screws into back plate.
- Thread escutcheon onto back plates and install trim.

NOTE: The 5090.020.A Dummy Insert is available with 6503.009 Adaptor Set for full dummy applications on pre-drilled doors.

Refer to Components in this catalog section.

*For full dummy escutcheons, 5099.004 Back Plate is supplied standard.

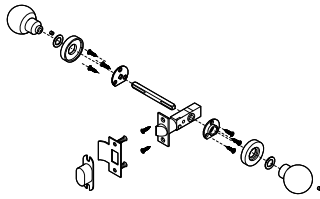
ASSUMED FOR EXAMPLES:

Backset – 2.375"
Door thickness – 1.375"

NOTE:

for PRE-DRILLED DOORS, Rose/Escutcheon must be at least 2.625" diameter/wide to cover bore hole

Passage w/ Rose Installation - Tubular Latch

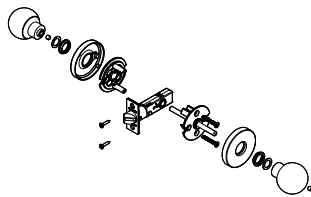


HOW TO ORDER		
WHAT YOU NEED:	PART # EXAMPLE	PAGE #
Knob or Lever – pair Minus Rose (.MR)	5000.056.MR	34
Passage Rose – pair (no suffix)	5048.056	51
Knob Latch (or Lever Latch)	5510.056 (5513.056)	63

INSTALLATION
A. Thread supplied roses onto 5097.009.N Back Plates.
B. Insert 5085.000 Graphite Spacer over spindle and into rose.
C. Slide knob or lever trim completely onto the spindle from both sides of the door. (NOTE: A minimal amount of “play” is required between the knob/lever and the rose to prevent the trim from binding.)
D. Secure steel set screws with .25” Socket Wrench.

IMPORTANT: Set screw is coated with a special epoxy (resin) to prohibit the screw from loosening over time.

Passage Pre-drilled Door



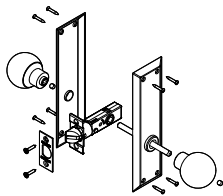
WHAT YOU NEED:	PART # EXAMPLE	PAGE #
For 2.125” Pre-drilled Doors add: Adaptor	6503.009	64

*See Spindles section for length needed

NOTE: For 1.75” or thicker Doors, 3.5” spindle included with Latch will not be long enough.

A. Install latch and strike per template.
B. Install spindle.
C. Install 6503.009 or 6504.009 door adaptor.
D. Tighten adaptor screws.
E. Place rose over the door adaptor and secure by threading 5197.000 rose retainer onto the adaptor. Tighten with the 5198.000 spanner tool provided.

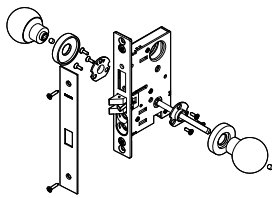
Passage (Tubular Latch & Escutcheon)



WHAT YOU NEED:	PART # EXAMPLE	PAGE #
Knob or Lever – pair Minus Rose (.MR)	5000.056.MR	34
Escutcheon Plates – Cut for Knob/Lever (.KN)	6794.056.KN (X2)	127
Knob Latch (or Lever Latch)	5510.056 (5513.056)	63
Spindle* – 4”	0511.004	66

*See Spindles section for length needed

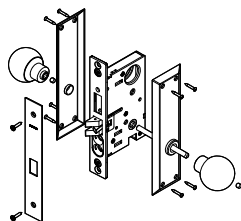
Passage (Mortise Lock)



WHAT YOU NEED:	PART # EXAMPLE	PAGE #
Knob or Lever – pair Minus Rose (.MR)	5000.056.MR	34
Passage Rose – pair (no suffix)	5017.056	51
Mortise Lock, Small Case – passage, 2.5” Backset	8530.056.R	145
Spindle* – 3.5” standard for install w/ roses	0510.004	66

*See Spindles section for length needed on thicker doors

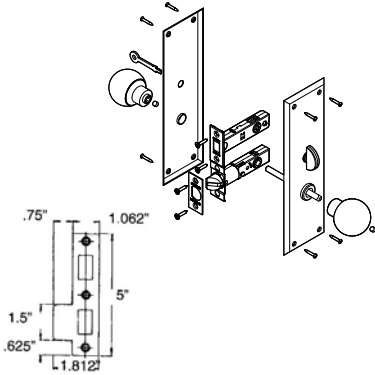
Passage (Mortise Lock & Escutcheon)



WHAT YOU NEED:	PART # EXAMPLE	PAGE #
Knob or Lever – pair Minus Rose (.MR)	5000.056.MR	34
(2) Escutcheon Plates – Cut for Knob/Lever (.KN)	6794.056.KN	127
Mortise Lock, Small Case – passage, 2.5” Backset	8530.056.R	145
Spindle* – 4”	0511.004	66

*See Spindles section for length needed.
3.5” Spindle included with 8500 series mortise lock.

**Passage Knob w/ Tubular Latch,
Mortise Bolt & Escutcheon Plate**

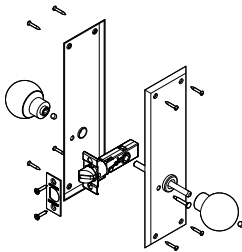


HOW TO ORDER

WHAT YOU NEED:	PART # EXAMPLE	PAGE #
Knob or Lever – pair Minus Rose (.MR)	5000.056.MR	34
Escutcheon plate –		
Outside: Cut for Emergency (KE)	6794.056.KE	127
Inside: Cut for Turn Knob (KT)	6794.056.KT	127
Knob Latch (or Lever Latch)	5510.056 (5513.056)	63
Solid Spindle* – 4"	0511.004	66
Mortise Bolt	0418.056.LTP (Less Turn Piece)	68
Combination Strike (Handed)	5528.056.L	65

**Privacy with Pin in
Escutcheon and Tubular Latch**

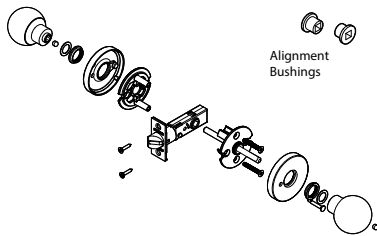
NOT AVAILABLE FOR ALL ESCUTCHEONS



WHAT YOU NEED:	PART # EXAMPLE	PAGE #
Knob or Lever – pair Minus Rose (.MR)	5000.056.MR	34
Escutcheons (ordered as pair) KP cut for Privacy	6513.056.KP	136
Knob Latch (or Lever Latch)	5510.056.P (5513.056.P)	63
Pin Extender (knob sets only) – Doors thicker than 1.625"	5199.000	64
Swivel Spindle – 4"	0522.004	66

Privacy Pre-drilled Door

Privacy with Pin in Rose
NOT AVAILABLE FOR ALL ROSES



HOW TO ORDER

WHAT YOU NEED:	PART # EXAMPLE	PAGE #
Knob or Lever – pair Minus Rose (.MR)	5000.056.MR	34
Privacy Rose** – pair (no suffix)	5149.056	51
Knob Latch (or Lever Latch)	5510.056.P + 6503.009 Adaptor* (5513.056.P + 6504.009 Adaptor*)	63 & 64
Pin Extender –	5199.000	64
Knob Sets: Needed for doors thicker than 1.625" (see Pin formula)		
Lever Sets: Needed for doors thicker than 1.75" (see Pin formula)		

**Adaptors are required on doors with 2 1/8" face-bore.

NOTE: Not all Roses available with Privacy Function –
see Roses Section

INSTALLATION

A. Install latch and strike per template.
B. Install spindle.
C. Install 6503.009 or 6504.009 door adaptor.
D. Tighten adaptor screws.
E. Place rose over the door adaptor and secure by threading 5197.000 rose retainer onto the adaptor. Tighten with the 5198.000 spanner tool provided.
F. Thread 5510.xxx.030 or 5513.xxx.030 privacy button into latch.

ASSUMED FOR EXAMPLES:

Backset – 2.375"
Door thickness – 1.375"

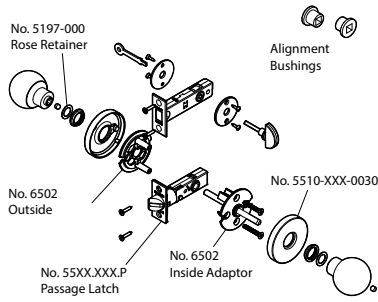
NOTE:

for PRE-DRILLED DOORS, Rose/Escutcheon must be at least 2.625" diameter/wide to cover bore hole

*See Spindles Chart for length needed

Passage Knob w/ Mortise Bolt

w/ 2.25" or smaller roses only



HOW TO ORDER

WHAT YOU NEED:	PART # EXAMPLE	PAGE #
Knob or Lever – pair Minus Rose (.MR)	5000.056.MR	34
Privacy Rose** – pair (no suffix)	5002.056	51
Knob Latch (or Lever Latch)	5510.056 + 6503.009 Adaptor (5513.056 + 6504.009 Adaptor)	63
Mortise Bolt	0418.056.LTP (Less Turn Piece)	68
Turn Piece	6750.056	69
Emergency Release Trim	0416.056	71

INSTALLATION

Mortise Bolt Installation

- When installing Mortise bolts, ALWAYS check width of Emergency Release Trim before drilling face bore. Standard bore is .625" (16mm) completely through door. Emergency Release Trim 0406 and 0407 require a .5" (13mm) bore on outside face of door; a .625" (16mm) bore on inside face of door.

IMPORTANT: When Emergency Release Trim is used, the turn piece spindle must be cut to extend no farther than halfway through the bolt.

Tubular Latch/Mortise Bolt Installation

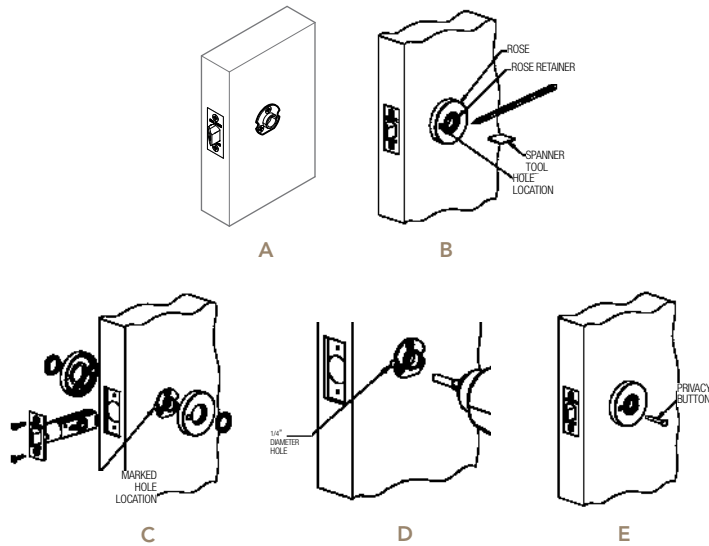
- When installing Mortise bolts with tubular latches, ALWAYS ensure that face plates of both mechanisms have a minimum of .5" (13mm) clearance between face plates [2.75" (70mm) minimum distance between center of bolts] for proper strike installation. If mortise bolt and latch/face plates are installed against each other (as illustrated), use 5528 Strike illustrated above, and on page 50.

CAUTION: WHEN ROSES OF 2.625" DIAMETER ARE USED WITH THIS STRIKE, TURN PIECES NOS. 6728, 6732, 6733, 6734, 6751, and 6762 CANNOT BE USED DUE TO CLEARANCE RESTRICTIONS.

NOTE: 5528 strike is designed with a curved lip. Please specify hand of door when ordering. Hand of strike based on latch bolt being installed below the mortise bolt. Tubular latches and mortise bolts may be used in conjunction with escutcheons. Use of 5528 Strike is required to replace normally furnished strikes due to clearance restrictions.

2" Privacy Rose Installation

5097 Backplate

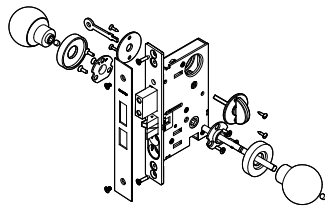


INSTALLATION

- A. After completing the latch and backplate installation, a hole for the privacy button needs to be drilled. The first step is to remove the alignment Bushings and spindle used for the backplate installation process.
- B. Attach the roses to the backplates using the rose retainers and tighten with the supplied spanner tool. Use a pencil to mark the privacy hole location on each side of the door.
- C. To avoid damage, remove both roses and the latch before drilling the privacy holes.
- D. Drill a 1/4" diameter hole through both sides of the door. Caution: To assure proper hole location drill from each side of the door and not from one side only.
- E. Re-install the latch and re-attach both roses. On the inside of the room, thread the privacy button into the latch and install the knobs or levers.

NOTE: Installation is also valid for 2.625" privacy roses.

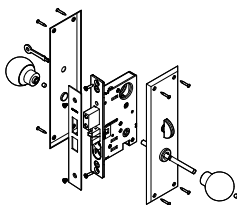
Mortise Lock w/ Emergency Release Trim



HOW TO ORDER

WHAT YOU NEED:	PART # EXAMPLE	PAGE #
Knob or Lever – pair Minus Rose (.MR)	5000.056.MR	34
Passage Rose* – pair (no suffix)	5002.056	51
Emergency Release Trim –	0404.056	71
Turn Piece	6756.056	69
Mortise Lock, 2.5" Backset (Handled)	6315.056.L	154
Spindle* – 4"	0511.004	66

Mortise Lock w/ Escutcheon Plate



HOW TO ORDER

WHAT YOU NEED:	PART # EXAMPLE	PAGE #
Knob or Lever – pair Minus Rose (.MR)	5000.056.MR	34
Escutcheon Plate, Exterior	6794.056.KE	127
Escutcheon Plate, Interior	6794.056.KT	127
Mortise Lock, 2.5" Backset	6315.056.L	154
Spindle* – 4"	0511.004	66

ASSUMED FOR EXAMPLES:

Backset – 2.375"
Door thickness – 1.375"

NOTE:

for PRE-DRILLED DOORS, Rose/Escutcheon must be at least 2.625" diameter/wide to cover bore hole

*See Spindles Chart for length needed

STEP 1

PICK YOUR HANDLESET TRIM, W/ KNOB OR LEVER: (SEE PAGE 122-153)

STEP 2

PICK YOUR MORTISE BOX

	Suffix*	Minus Strike*
Right hand	.R	.RDT
Left hand	.L	.LDT
Right hand Reverse bevel	.RR	.RRDT
Left hand Reverse bevel	.LR	.LRDT
Right hand Lever Strength	.RLS	.RLSDT
Left hand Lever Strength	.LLS	.LLSDT
Right hand Reverse bevel Lever Strength	.RRLS	.RRLSDT
Left hand Reverse bevel Lever Strength	.LRLS	.LRLSDT
Right hand Reverse bevel Lever Strength with 1" Front	.RRB1	.RRB1DT
Left hand Reverse bevel Lever Strength with 1" Front	.LRB1	.LRB1DT

Entrance Function Mortise Locks	003, 031, 033, 044, 050 055, 056, 060, 076, 102 112, 190, 260
Lock with strike	\$504
Lock without strike	\$460

Backset	Door Thickness	Function	Mortise Box	HANDLESET X KNOB		HANDLESET X LEVER		KNOB X KNOB	LEVER X LEVER
				Handing	Part Number	Handing	Part Number	Part Number	Part Number
2.75"	1.75" and up	Residential Entrance	6020	R	6020.xxx.R	RLS	6020.xxx.RLS	6001.xxx.R	6001.xxx.RLS
				L	6020.xxx.L	LLS	6020.xxx.LLS	6001.xxx.L	6001.xxx.LLS
				RR	6020.xxx.RR	RRLS	6020.xxx.RRLS	6001.xxx.RR	6001.xxx.RRLS
				LR	6020.xxx.LR	LRLS	6020.xxx.LRLS	6001.xxx.LR	6001.xxx.LRLS
2.75"	1.75" and up	Residential Entrance Emergency Egress	6021	R	6021.xxx.R	RLS	6021.xxx.RLS	6075.xxx.R	6075.xxx.RLS
				L	6021.xxx.L	LLS	6021.xxx.LLS	6075.xxx.L	6075.xxx.LLS
				RR	6021.xxx.RR	RRLS	6021.xxx.RRLS	6075.xxx.RR	6075.xxx.RRLS
				LR	6021.xxx.LR	LRLS	6021.xxx.LRLS	6075.xxx.LR	6075.xxx.LRLS
2.75"	1.75" and up	Entrance Back-to-Back	6025	-	-	-	-	-	
2.5"	1.375/1.75 and up	Residential Entrance	6320	R	6320.xxx.R	RLS	6320.xxx.RLS	6301.xxx.R	6301.xxx.RLS
				L	6320.xxx.L	LLS	6320.xxx.LLS	6301.xxx.L	6301.xxx.LLS
				RR	6320.xxx.RR	RRLS	6320.xxx.RRLS	6301.xxx.RR	6301.xxx.RRLS
				LR	6320.xxx.LR	LRLS	6320.xxx.LRLS	6301.xxx.LR	6301.xxx.LRLS
2.5"	1.375/1.75 and up	Residential Entrance Emergency Egress	6321	R	6321.xxx.R	RLS	6321.xxx.RLS	6375.xxx.R	6375.xxx.RLS
				L	6321.xxx.L	LLS	6321.xxx.LLS	6375.xxx.L	6375.xxx.LLS
				RR	6321.xxx.RR	RRLS	6321.xxx.RRLS	6375.xxx.RR	6375.xxx.RRLS
				LR	6321.xxx.LR	LRLS	6321.xxx.LRLS	6375.xxx.LR	6375.xxx.LRLS
2.5"	1.375/1.75 and up	Entrance Back-to-Back	6325	-	-	-	-	-	

STEP 3

PICK YOUR CYLINDER (SEE INSIDE FLAP FOR CYLINDER TABLE)

IF YOUR DOOR IS NOT 1.75" THICK, ALSO REQUIRED;

STEP 4

SPINDLE (SEE INSIDE FLAP FOR CHART)

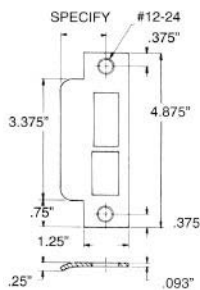
STEP 5

THICK DOOR KIT (DOORS OVER 1.75: AND UP TO 2.25" THICK, SEE PAGE 145)

STEP 6

EXTENDED LIP STRIKE (SEE PAGE 157)

6037, 6038, 6039
6338, 6339



Lip to Center length determined by the following formula:
 Door thickness ÷ 2 + .375" (10mm) = Lip to Center length
 Round to closest size

Item #	Function	Price
6037.xxx.XXXX	2.75" backset latch, deadbolt, aux latch	\$95
6038.xxx.XXXX	2.75" backset latch only	
6039.xxx.XXXX	2.75" backset latch, deadbolt	
6338.xxx.XXXX	1.5", 2", 2.5" backset latch only	
6339.xxx.XXXX	1.5", 2", 2.5" backset latch, deadbolt	

.XXXX indicates Extended Lip to Center size = .R158, .L158, .R178, .L178, .R214, .L214, .R300, .L300

6037, 6038, 6039, 6338, 6339.xxx — EXTENDED LIP STRIKES (HANDED) — Page 157

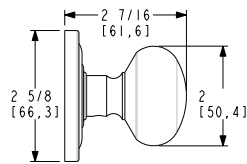
- Use with locks installed on special door/frame conditions
- Supplied with a curved lip only
- ALWAYS SPECIFY HAND OF DOOR AND REQUIRED LENGTH
- **Note:** Reverse bevel doors use opposite hand for strike selection (ie. Right hand reverse bevel use left hand strike.)
- Lip to Center lengths:
 - .R158 or .L158 – 1.625" (41mm)
 - .R178 or .L178 – 1.875" (48mm)
 - .R214 or .L214 – 2.25" (57mm)
 - .R300 or .L300 – 3" (76mm)
- **Strikes NOT available in Distressed finishes, non-distressed equivalent 402=102**



PRE-CONFIGURED SETS
KNOBS & LEVERS

5000 Knob w/ 5048 Rose

Passage, Privacy & Dummy



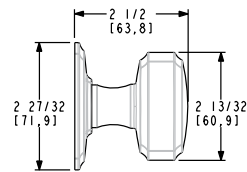
003, 031, 033
044, 055, 056, 076
102, 112, 190, 260

Item #	Description	
5000.xxx.FD	Full Dummy	\$286
5000.xxx.IDM	Half Dummy	\$143
5000.xxx.PASS	Passage: 2 3/8" backset	\$358
5000.xxx.PRIV	Privacy: 2 3/8" backset	

- Works with 1-3/8" and 1-3/4" thick doors
- PASS and PRIV functions ship with a full lip strike and Pre-Drilled Door Adaptor.
- Quick Ship is only available with 2 3/8" backset latch. See 2 3/4" latch options on page 63.
- Ships with a Full Lip Strike. See T-Strike options on page 65.

5011 Knob w/ 5058 Rose

Passage, Privacy & Dummy



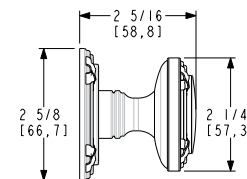
003, 031, 033
044, 055, 056, 076
102, 112, 190, 260

Item #	Description	
5011.xxx.FD	Full Dummy	\$286
5011.xxx.IDM	Half Dummy	\$143
5011.xxx.PASS	Passage: 2 3/8" backset	\$358
5011.xxx.PRIV	Privacy: 2 3/8" backset	

- Works with 1-3/8" and 1-3/4" thick doors
- PASS and PRIV functions ship with a full lip strike and Pre-Drilled Door Adaptor.
- Quick Ship is only available with 2 3/8" backset latch. See 2 3/4" latch options on page 63.
- Ships with a Full Lip Strike. See T-Strike options on page 65.

5013 Knob w/ 5021 Rose

Passage, Privacy & Dummy



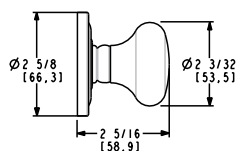
003, 031, 033
044, 055, 056, 076
102, 112, 190, 260

Item #	Description	
5013.xxx.FD	Full Dummy	\$286
5013.xxx.IDM	Half Dummy	\$143
5013.xxx.PASS	Passage: 2 3/8" backset	\$358
5013.xxx.PRIV	Privacy: 2 3/8" backset	

- Works with 1-3/8" and 1-3/4" thick doors
- PASS and PRIV functions ship with a full lip strike and Pre-Drilled Door Adaptor.
- Quick Ship is only available with 2 3/8" backset latch. See 2 3/4" latch options on page 63.
- Ships with a Full Lip Strike. See T-Strike options on page 65.

5015 Classic Knob w/ 5048 Rose

Passage, Privacy & Dummy



003, 031, 033
044, 055, 056, 076
102, 112, 190, 260

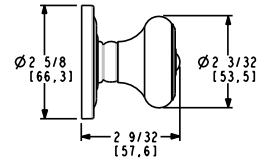
Item #	Description	
5015.xxx.FD	Full Dummy	\$244
5015.xxx.IDM	Half Dummy	\$122
5015.xxx.PASS	Passage: 2 3/8" backset	\$305
5015.xxx.PRIV	Privacy: 2 3/8" backset	

- Works with 1-3/8" and 1-3/4" thick doors
- PASS and PRIV functions ship with a full lip strike and Pre-Drilled Door Adaptor.
- Quick Ship is only available with 2 3/8" backset latch. See 2 3/4" latch options on page 63.
- Ships with a Full Lip Strike. See T-Strike options on page 65.

QUICK SHIP is available in functions and finishes shown in red.

PRE-CONFIGURED SETS | KNOBS

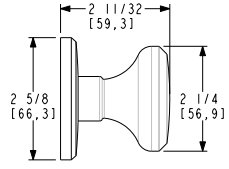
5020 Colonial Knob w/ 5048 Rose 
Passage, Privacy & Dummy



Item #	Description	003, 031, 033 044, 055, 056, 076 102, 112, 190, 260
5020.xxx.FD	Full Dummy	\$244
5020.xxx.IDM	Half Dummy	\$122
5020.xxx.PASS	Passage: 2 3/8" backset	\$305
5020.xxx.PRIV	Privacy: 2 3/8" backset	

- Works with 1-3/8" and 1-3/4" thick doors
- PASS and PRIV functions ship with a full lip strike and Pre-Drilled Door Adaptor.
- Quick Ship is only available with 2 3/8" backset latch. See 2 3/4" latch options on page 63.
- Ships with a Full Lip Strike. See T-Strike options on page 65.

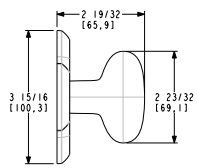
5023 Knob w/ R016 Rose 
Passage, Privacy & Dummy



Item #	Description	003, 031, 033 044, 055, 056, 076 102, 112, 190, 260
5023.xxx.FD	Full Dummy	\$244
5023.xxx.IDM	Half Dummy	\$122
5023.xxx.PASS	Passage: 2 3/8" backset	\$305
5023.xxx.PRIV	Privacy: 2 3/8" backset	

- Works with 1-3/8" and 1-3/4" thick doors
- PASS and PRIV functions ship with a full lip strike and Pre-Drilled Door Adaptor.
- Quick Ship is only available with 2 3/8" backset latch. See 2 3/4" latch options on page 63.
- Ships with a Full Lip Strike. See T-Strike options on page 65.

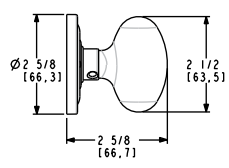
5024 Knob w/ R030 Rose 
Passage, Privacy & Dummy



Item #	Description	102, 112 190, 402
5024.xxx.FD	Full Dummy	\$244
5024.xxx.IDM	Half Dummy	\$122
5024.xxx.PASS	Passage: 2 3/8" backset	\$305
5024.xxx.PRIV	Privacy: 2 3/8" backset	

- Works with 1-3/8" and 1-3/4" thick doors
- PASS and PRIV functions ship with a full lip strike and Pre-Drilled Door Adaptor.
- Quick Ship is only available with 2 3/8" backset latch. See 2 3/4" latch options on page 63.
- Ships with a Full Lip Strike. See T-Strike options on page 65.

5025 Knob w/ 5048 Rose 
Passage, Privacy & Dummy



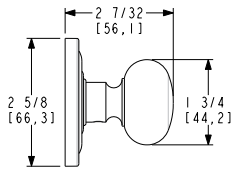
Item #	Description	003, 031, 033 044, 055, 056, 076 102, 112, 190, 260
5025.xxx.FD	Full Dummy	\$244
5025.xxx.IDM	Half Dummy	\$122
5025.xxx.PASS	Passage: 2 3/8" backset	\$305
5025.xxx.PRIV	Privacy: 2 3/8" backset	

- Works with 1-3/8" and 1-3/4" thick doors
- PASS and PRIV functions ship with a full lip strike and Pre-Drilled Door Adaptor.
- Quick Ship is only available with 2 3/8" backset latch. See 2 3/4" latch options on page 63.
- Ships with a Full Lip Strike. See T-Strike options on page 65.

QUICK SHIP is available in functions and finishes shown in red.

5030 Knob w/ 5048 Rose

Passage, Privacy & Dummy

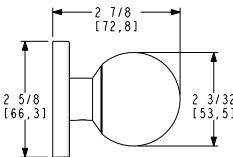


Item #	Description	003, 031, 033 044, 055, 056, 076 102, 112, 190, 260
5030.xxx.FD	Full Dummy	\$286
5030.xxx.IDM	Half Dummy	\$138
5030.xxx.PASS	Passage: 2 3/8" backset	\$358
5030.xxx.PRIV	Privacy: 2 3/8" backset	

- Works with 1-3/8" and 1-3/4" thick doors
- PASS and PRIV functions ship with a full lip strike and Pre-Drilled Door Adaptor.
- Quick Ship is only available with 2 3/8" backset latch. See 2 3/4" latch options on page 63.
- Ships with a Full Lip Strike. See T-Strike options on page 65.

5041 Knob w/ 5046 Rose

Passage, Privacy & Dummy

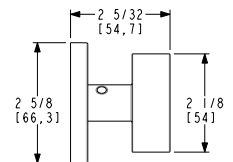


Item #	Description	044, 055, 056, 076 102, 112, 190, 260
5041.xxx.FD	Full Dummy	\$244
5041.xxx.IDM	Half Dummy	\$122
5041.xxx.PASS	Passage: 2 3/8" backset	\$305
5041.xxx.PRIV	Privacy: 2 3/8" backset	

- Works with 1-3/8" and 1-3/4" thick doors
- PASS and PRIV functions ship with a full lip strike and Pre-Drilled Door Adaptor.
- Quick Ship is only available with 2 3/8" backset latch. See 2 3/4" latch options on page 63.
- Ships with a Full Lip Strike. See T-Strike options on page 65.

5055 Knob w/ 5046 Rose

Passage, Privacy & Dummy

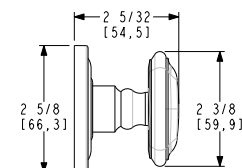


Item #	Description	044, 055, 056, 076 102, 112, 190, 260
5055.xxx.FD	Full Dummy	\$286
5055.xxx.IDM	Half Dummy	\$143
5055.xxx.PASS	Passage: 2 3/8" backset	\$358
5055.xxx.PRIV	Privacy: 2 3/8" backset	

- Works with 1-3/8" and 1-3/4" thick doors
- PASS and PRIV functions ship with a full lip strike and Pre-Drilled Door Adaptor.
- Quick Ship is only available with 2 3/8" backset latch. See 2 3/4" latch options on page 63.
- Ships with a Full Lip Strike. See T-Strike options on page 65.

5057 Knob w/ 5048 Rose

Passage, Privacy & Dummy



Item #	Description	003, 031, 033 044, 055, 056, 076 102, 112, 190, 260
5057.xxx.FD	Full Dummy	\$286
5057.xxx.IDM	Half Dummy	\$143
5057.xxx.PASS	Passage: 2 3/8" backset	\$358
5057.xxx.PRIV	Privacy: 2 3/8" backset	

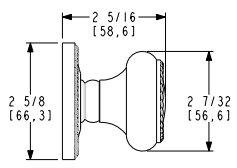
- Works with 1-3/8" and 1-3/4" thick doors
- PASS and PRIV functions ship with a full lip strike and Pre-Drilled Door Adaptor.
- Quick Ship is only available with 2 3/8" backset latch. See 2 3/4" latch options on page 63.
- Ships with a Full Lip Strike. See T-Strike options on page 65.

QUICK SHIP is available in functions and finishes shown in red.

PRE-CONFIGURED SETS | KNOBS

5064 Knob w/ 5004 Rose 

Passage, Privacy & Dummy



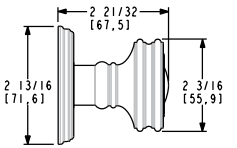
003, 031, 033
044, 055, 056, 076
102, 112, 190, 260

Item #	Description	
5064.xxx.FD	Full Dummy	\$286
5064.xxx.IDM	Half Dummy	\$143
5064.xxx.PASS	Passage: 2 3/8" backset	\$358
5064.xxx.PRIV	Privacy: 2 3/8" backset	

- Works with 1-3/8" and 1-3/4" thick doors
- PASS and PRIV functions ship with a full lip strike and Pre-Drilled Door Adaptor.
- Quick Ship is only available with 2 3/8" backset latch. See 2 3/4" latch options on page 63.
- Ships with a Full Lip Strike. See T-Strike options on page 65.

5066 Knob w/ 5078 Rose 

Passage, Privacy & Dummy



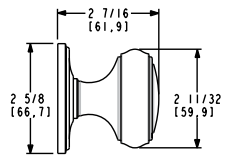
003, 031, 033
044, 055, 056, 076
102, 112, 190, 260

Item #	Description	
5066.xxx.FD	Full Dummy	\$286
5066.xxx.IDM	Half Dummy	\$143
5066.xxx.PASS	Passage: 2 3/8" backset	\$358
5066.xxx.PRIV	Privacy: 2 3/8" backset	

- Works with 1-3/8" and 1-3/4" thick doors
- PASS and PRIV functions ship with a full lip strike and Pre-Drilled Door Adaptor.
- Quick Ship is only available with 2 3/8" backset latch. See 2 3/4" latch options on page 63.
- Ships with a Full Lip Strike. See T-Strike options on page 65.

5068 Knob w/ 5070 Rose 


Passage, Privacy & Dummy



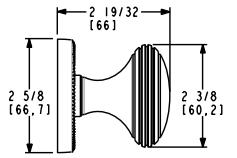
003, 031, 033
044, 055, 056, 076
102, 112, 190, 260

Item #	Description	
5068.xxx.FD	Full Dummy	\$286
5068.xxx.IDM	Half Dummy	\$143
5068.xxx.PASS	Passage: 2 3/8" backset	\$358
5068.xxx.PRIV	Privacy: 2 3/8" backset	

- Works with 1-3/8" and 1-3/4" thick doors
- PASS and PRIV functions ship with a full lip strike and Pre-Drilled Door Adaptor.
- Quick Ship is only available with 2 3/8" backset latch. See 2 3/4" latch options on page 63.
- Ships with a Full Lip Strike. See T-Strike options on page 65.

5069 Knob w/ 5076 Rose 

Passage, Privacy & Dummy



003, 031, 033
044, 055, 056, 076
102, 112, 190, 260

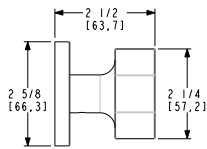
Item #	Description	
5069.xxx.FD	Full Dummy	\$286
5069.xxx.IDM	Half Dummy	\$143
5069.xxx.PASS	Passage: 2 3/8" backset	\$358
5069.xxx.PRIV	Privacy: 2 3/8" backset	

- Works with 1-3/8" and 1-3/4" thick doors
- PASS and PRIV functions ship with a full lip strike and Pre-Drilled Door Adaptor.
- Quick Ship is only available with 2 3/8" backset latch. See 2 3/4" latch options on page 63.
- Ships with a Full Lip Strike. See T-Strike options on page 65.

QUICK SHIP is available in functions and finishes shown in red.

5073 Knob w/ 5046 Rose

Passage, Privacy & Dummy

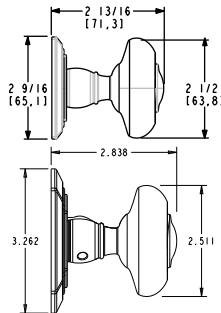


Item #	Description	044, 055, 056, 076 102, 112, 190, 260
5073.xxx.FD	Full Dummy	\$286
5073.xxx.IDM	Half Dummy	\$143
5073.xxx.PASS	Passage: 2 3/8" backset	\$358
5073.xxx.PRIV	Privacy: 2 3/8" backset	

- Works with 1-3/8" and 1-3/4" thick doors
- PASS and PRIV functions ship with a full lip strike and Pre-Drilled Door Adaptor.
- Quick Ship is only available with 2 3/8" backset latch. See 2 3/4" latch options on page 63.
- Ships with a Full Lip Strike. See T-Strike options on page 65.

5077 Bethpage Knob w/ R027 Rose

Passage, Privacy & Dummy

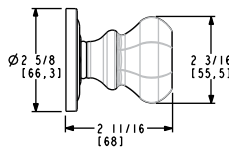


Item #	Description	003, 031, 033 044, 055, 056, 076 102, 112, 190, 260
5077.xxx.FD	Full Dummy	\$244
5077.xxx.IDM	Half Dummy	\$122
5077.xxx.PASS	Passage: 2 3/8" backset	\$305
5077.xxx.PRIV	Privacy: 2 3/8" backset	

- Works with 1-3/8" and 1-3/4" thick doors
- PASS and PRIV functions ship with a full lip strike and Pre-Drilled Door Adaptor.
- Quick Ship is only available with 2 3/8" backset latch. See 2 3/4" latch options on page 63.
- Ships with a Full Lip Strike. See T-Strike options on page 65.

5080 Filmore Knob w/ 5048 Rose

Passage, Privacy & Dummy

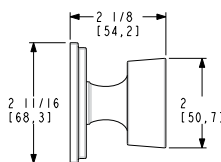


Item #	Description	030, 044, 055, 102 112, 150, 190, 260
5080.xxx.FD	Full Dummy	\$244
5080.xxx.IDM	Half Dummy	\$138
5080.xxx.PASS	Passage: 2 3/8" backset	\$305
5080.xxx.PRIV	Privacy: 2 3/8" backset	

- Works with 1-3/8" and 1-3/4" thick doors
- PASS and PRIV functions ship with a full lip strike and Pre-Drilled Door Adaptor.
- Quick Ship is only available with 2 3/8" backset latch. See 2 3/4" latch options on page 63.
- Ships with a Full Lip Strike. See T-Strike options on page 65.

K007 Hollywood Hills Knob w/ R050 Rose

Passage, Privacy & Dummy



Item #	Description	003, 031, 033 044, 055, 056, 076 102, 112, 190, 260
K007.xxx.FD	Full Dummy	\$276
K007.xxx.IDM	Half Dummy	\$138
K007.xxx.PASS	Passage: 2 3/8" backset	\$345
K007.xxx.PRIV	Privacy: 2 3/8" backset	

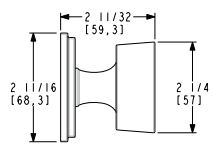
- Works with 1-3/8" and 1-3/4" thick doors
- PASS and PRIV functions ship with a full lip strike and Pre-Drilled Door Adaptor.
- Quick Ship is only available with 2 3/8" backset latch. See 2 3/4" latch options on page 63.
- Ships with a Full Lip Strike. See T-Strike options on page 65.

QUICK SHIP is available in functions and finishes shown in red.

PRE-CONFIGURED SETS | KNOBS

K008 Hollywood Hills Knob w/ R050 Rose

Passage, Privacy & Dummy



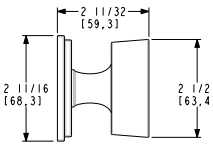
003, 031, 033
044, 055, 056, 076
102, 112, 190, 260

Item #	Description	
K008.xxx.FD	Full Dummy	\$286
K008.xxx.IDM	Half Dummy	\$143
K008.xxx.PASS	Passage: 2 3/8" backset	\$358
K008.xxx.PRIV	Privacy: 2 3/8" backset	

- Works with 1-3/8" and 1-3/4" thick doors
- PASS and PRIV functions ship with a full lip strike and Pre-Drilled Door Adaptor.
- Quick Ship is only available with 2 3/8" backset latch. See 2 3/4" latch options on page 63.
- Ships with a Full Lip Strike. See T-Strike options on page 65.

K009 Hollywood Hills Knob w/ R050 Rose

Passage, Privacy & Dummy



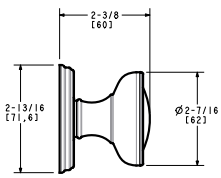
003, 031, 033
044, 055, 056, 076
102, 112, 190, 260

Item #	Description	
K009.xxx.FD	Full Dummy	\$312
K009.xxx.IDM	Half Dummy	\$156
K009.xxx.PASS	Passage: 2 3/8" backset	\$390
K009.xxx.PRIV	Privacy: 2 3/8" backset	

- Works with 1-3/8" and 1-3/4" thick doors
- PASS and PRIV functions ship with a full lip strike and Pre-Drilled Door Adaptor.
- Quick Ship is only available with 2 3/8" backset latch. See 2 3/4" latch options on page 63.
- Ships with a Full Lip Strike. See T-Strike options on page 65.

K012 Knob w/ 5078 Rose

Passage, Privacy & Dummy



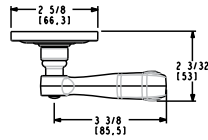
003, 031, 033
044, 055, 056, 076
102, 112, 190, 260

Item #	Description	
K012.xxx.FD	Full Dummy	\$312
K012.xxx.IDM	Half Dummy	\$156
K012.xxx.PASS	Passage: 2 3/8" backset	\$390
K012.xxx.PRIV	Privacy: 2 3/8" backset	

- Works with 1-3/8" and 1-3/4" thick doors
- PASS and PRIV functions ship with a full lip strike and Pre-Drilled Door Adaptor.
- Quick Ship is only available with 2 3/8" backset latch. See 2 3/4" latch options on page 63.
- Ships with a Full Lip Strike. See T-Strike options on page 65.

5103 Lever w/ 5048 Rose

Passage, Privacy & Dummy

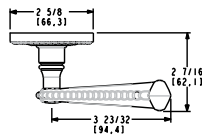


Item #	Description	003, 031, 033 044, 055, 056, 076 102, 112, 190, 260
5103.xxx.FD	Full Dummy	\$286
5103.xxx.RDM	RIGHT Hand Half Dummy	\$143
5103.xxx.LDM	LEFT Hand Half Dummy	\$143
5103.xxx.PASS	Passage: 2 3/8" backset	\$358
5103.xxx.PRIV	Privacy: 2 3/8" backset	\$358

- Works with 1-3/8" and 1-3/4" thick doors
- PASS and PRIV functions ship with a full lip strike and Pre-Drilled Door Adaptor.
- Quick Ship is only available with 2 3/8" backset latch. See 2 3/4" latch options on page 63.
- Ships with a Full Lip Strike. See T-Strike options on page 65.

5104 Lever w/ 5004 Rose

Passage, Privacy & Dummy

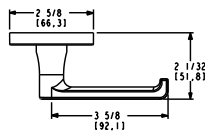


Item #	Description	003, 031, 033 044, 055, 056, 076 102, 112, 190, 260
5104.xxx.FD	Full Dummy	\$286
5104.xxx.RDM	RIGHT Hand Half Dummy	\$143
5104.xxx.LDM	LEFT Hand Half Dummy	\$143
5104.xxx.PASS	Passage: 2 3/8" backset	\$358
5104.xxx.PRIV	Privacy: 2 3/8" backset	\$358

- Works with 1-3/8" and 1-3/4" thick doors
- PASS and PRIV functions ship with a full lip strike and Pre-Drilled Door Adaptor.
- Quick Ship is only available with 2 3/8" backset latch. See 2 3/4" latch options on page 63.
- Ships with a Full Lip Strike. See T-Strike options on page 65.

5105 Lever w/ 5046 Rose

Passage, Privacy & Dummy

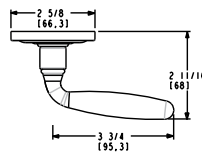


Item #	Description	044, 055, 056, 076 102, 112, 190, 260
5105.xxx.FD	Full Dummy	\$286
5105.xxx.RDM	RIGHT Hand Half Dummy	\$143
5105.xxx.LDM	LEFT Hand Half Dummy	\$143
5105.xxx.PASS	Passage: 2 3/8" backset	\$358
5105.xxx.PRIV	Privacy: 2 3/8" backset	\$358

- Works with 1-3/8" and 1-3/4" thick doors
- PASS and PRIV functions ship with a full lip strike and Pre-Drilled Door Adaptor.
- Quick Ship is only available with 2 3/8" backset latch. See 2 3/4" latch options on page 63.
- Ships with a Full Lip Strike. See T-Strike options on page 65.

5106 Lever w/ 5048 Rose

Passage, Privacy & Dummy



Item #	Description	003, 031, 033 044, 055, 056, 076 102, 112, 190, 260
5106.xxx.FD	Full Dummy	\$286
5106.xxx.RDM	RIGHT Hand Half Dummy	\$143
5106.xxx.LDM	LEFT Hand Half Dummy	\$143
5106.xxx.PASS	Passage: 2 3/8" backset	\$358
5106.xxx.PRIV	Privacy: 2 3/8" backset	\$358

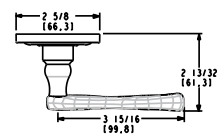
- Works with 1-3/8" and 1-3/4" thick doors
- PASS and PRIV functions ship with a full lip strike and Pre-Drilled Door Adaptor.
- Quick Ship is only available with 2 3/8" backset latch. See 2 3/4" latch options on page 63.
- Ships with a Full Lip Strike. See T-Strike options on page 65.

QUICK SHIP is available in functions and finishes shown in red.

PRE-CONFIGURED SETS | LEVERS

5108 Lever w/ 5048 Rose 

Passage, Privacy & Dummy

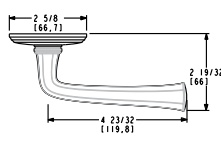


Item #	Description	003, 031, 033 044, 055, 056, 076 102, 112, 190, 260
5108.xxx.FD	Full Dummy	\$286
5108.xxx.RDM	RIGHT Hand Half Dummy	\$143
5108.xxx.LDM	LEFT Hand Half Dummy	\$143
5108.xxx.PASS	Passage: 2 3/8" backset	\$358
5108.xxx.PRIV	Privacy: 2 3/8" backset	\$358

- Works with 1-3/8" and 1-3/4" thick doors
- PASS and PRIV functions ship with a full lip strike and Pre-Drilled Door Adaptor.
- Quick Ship is only available with 2 3/8" backset latch. See 2 3/4" latch options on page 63.
- Ships with a Full Lip Strike. See T-Strike options on page 65.

5112 Lever w/ 5075 Rose 

Passage, Privacy & Dummy

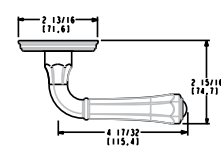


Item #	Description	003, 031, 033 044, 055, 056, 076 102, 112, 190, 260
5112.xxx.FD	Full Dummy	\$286
5112.xxx.RDM	RIGHT Hand Half Dummy	\$143
5112.xxx.LDM	LEFT Hand Half Dummy	\$143
5112.xxx.PASS	Passage: 2 3/8" backset	\$358
5112.xxx.PRIV	Privacy: 2 3/8" backset	\$358

- Works with 1-3/8" and 1-3/4" thick doors
- PASS and PRIV functions ship with a full lip strike and Pre-Drilled Door Adaptor.
- Quick Ship is only available with 2 3/8" backset latch. See 2 3/4" latch options on page 63.
- Ships with a Full Lip Strike. See T-Strike options on page 65.

5113 Lever w/ 5078 Rose 

Passage, Privacy & Dummy

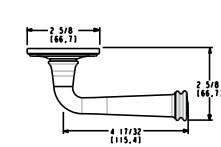


Item #	Description	003, 031, 033 044, 055, 056, 076 102, 112, 190, 260
5113.xxx.FD	Full Dummy	\$286
5113.xxx.RDM	RIGHT Hand Half Dummy	\$143
5113.xxx.LDM	LEFT Hand Half Dummy	\$143
5113.xxx.PASS	Passage: 2 3/8" backset	\$358
5113.xxx.PRIV	Privacy: 2 3/8" backset	\$358

- Works with 1-3/8" and 1-3/4" thick doors
- PASS and PRIV functions ship with a full lip strike and Pre-Drilled Door Adaptor.
- Quick Ship is only available with 2 3/8" backset latch. See 2 3/4" latch options on page 63.
- Ships with a Full Lip Strike. See T-Strike options on page 65.

5116 Lever w/ 5070 Rose 

Passage, Privacy & Dummy

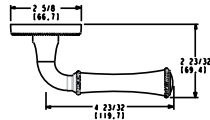


Item #	Description	003, 031, 033 044, 055, 056, 076 102, 112, 190, 260
5116.xxx.FD	Full Dummy	\$286
5116.xxx.RDM	RIGHT Hand Half Dummy	\$143
5116.xxx.LDM	LEFT Hand Half Dummy	\$143
5116.xxx.PASS	Passage: 2 3/8" backset	\$358
5116.xxx.PRIV	Privacy: 2 3/8" backset	\$358

- Works with 1-3/8" and 1-3/4" thick doors
- PASS and PRIV functions ship with a full lip strike and Pre-Drilled Door Adaptor.
- Quick Ship is only available with 2 3/8" backset latch. See 2 3/4" latch options on page 63.
- Ships with a Full Lip Strike. See T-Strike options on page 65.

QUICK SHIP is available in functions and finishes shown in red.

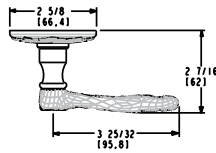
5118 Lever w/ 5076 Rose 
Passage, Privacy & Dummy



Item #	Description	003, 031, 033 044, 055, 056, 076 102, 112, 190, 260
5118.xxx.FD	Full Dummy	\$286
5118.xxx.RDM	RIGHT Hand Half Dummy	\$143
5118.xxx.LDM	LEFT Hand Half Dummy	\$143
5118.xxx.PASS	Passage: 2 3/8" backset	\$358
5118.xxx.PRIV	Privacy: 2 3/8" backset	\$358

- Works with 1-3/8" and 1-3/4" thick doors
- PASS and PRIV functions ship with a full lip strike and Pre-Drilled Door Adaptor.
- Quick Ship is only available with 2 3/8" backset latch. See 2 3/4" latch options on page 63.
- Ships with a Full Lip Strike. See T-Strike options on page 65.

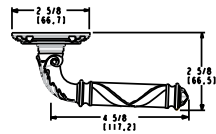
5121 Lever w/ R012 Rose 
Passage, Privacy & Dummy



Item #	Description	003, 031, 033 044, 055, 056, 076 102, 112, 190, 260
5121.xxx.FD	Full Dummy	\$287
5121.xxx.RDM	RIGHT Hand Half Dummy	\$144
5121.xxx.LDM	LEFT Hand Half Dummy	\$144
5121.xxx.PASS	Passage: 2 3/8" backset	\$359
5121.xxx.PRIV	Privacy: 2 3/8" backset	\$359

- Works with 1-3/8" and 1-3/4" thick doors
- PASS and PRIV functions ship with a full lip strike and Pre-Drilled Door Adaptor.
- Quick Ship is only available with 2 3/8" backset latch. See 2 3/4" latch options on page 63.
- Ships with a Full Lip Strike. See T-Strike options on page 65.

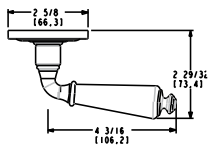
5122 Lever w/ 5021 Rose 
Passage, Privacy & Dummy



Item #	Description	003, 031, 033 044, 055, 056, 076 102, 112, 190, 260
5122.xxx.FD	Full Dummy	\$286
5122.xxx.RDM	RIGHT Hand Half Dummy	\$143
5122.xxx.LDM	LEFT Hand Half Dummy	\$143
5122.xxx.PASS	Passage: 2 3/8" backset	\$358
5122.xxx.PRIV	Privacy: 2 3/8" backset	\$358

- Works with 1-3/8" and 1-3/4" thick doors
- PASS and PRIV functions ship with a full lip strike and Pre-Drilled Door Adaptor.
- Quick Ship is only available with 2 3/8" backset latch. See 2 3/4" latch options on page 63.
- Ships with a Full Lip Strike. See T-Strike options on page 65.

5125 Lever w/ 5048 Rose 
Passage, Privacy & Dummy



Item #	Description	003, 031, 033 044, 055, 056, 076 102, 112, 190, 260
5125.xxx.FD	Full Dummy	\$286
5125.xxx.RDM	RIGHT Hand Half Dummy	\$143
5125.xxx.LDM	LEFT Hand Half Dummy	\$143
5125.xxx.PASS	Passage: 2 3/8" backset	\$358
5125.xxx.PRIV	Privacy: 2 3/8" backset	\$358

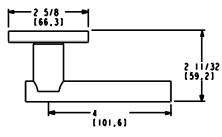
- Works with 1-3/8" and 1-3/4" thick doors
- PASS and PRIV functions ship with a full lip strike and Pre-Drilled Door Adaptor.
- Quick Ship is only available with 2 3/8" backset latch. See 2 3/4" latch options on page 63.
- Ships with a Full Lip Strike. See T-Strike options on page 65.

QUICK SHIP is available in functions and finishes shown in red.

PRE-CONFIGURED SETS | LEVERS

5137 Lever w/ 5046 Rose 

Passage, Privacy & Dummy

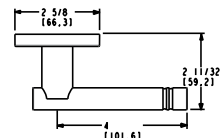


Item #	Description	044, 055, 056, 076 102, 112, 190, 260
5137.xxx.FD	Full Dummy	\$286
5137.xxx.RDM	RIGHT Hand Half Dummy	\$143
5137.xxx.LDM	LEFT Hand Half Dummy	\$143
5137.xxx.PASS	Passage: 2 3/8" backset	\$358
5137.xxx.PRIV	Privacy: 2 3/8" backset	\$358

- Works with 1-3/8" and 1-3/4" thick doors
- PASS and PRIV functions ship with a full lip strike and Pre-Drilled Door Adaptor.
- Quick Ship is only available with 2 3/8" backset latch. See 2 3/4" latch options on page 63.
- Ships with a Full Lip Strike. See T-Strike options on page 65.

5138 Lever w/ 5047 Rose 

Passage, Privacy & Dummy

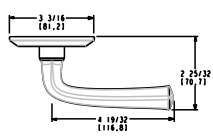


Item #	Description	044, 055, 056, 076 102, 112, 190, 260
5138.xxx.FD	Full Dummy	\$286
5138.xxx.RDM	RIGHT Hand Half Dummy	\$143
5138.xxx.LDM	LEFT Hand Half Dummy	\$143
5138.xxx.PASS	Passage: 2 3/8" backset	\$358
5138.xxx.PRIV	Privacy: 2 3/8" backset	\$358

- Works with 1-3/8" and 1-3/4" thick doors
- PASS and PRIV functions ship with a full lip strike and Pre-Drilled Door Adaptor.
- Quick Ship is only available with 2 3/8" backset latch. See 2 3/4" latch options on page 63.
- Ships with a Full Lip Strike. See T-Strike options on page 65.

5141 Lever w/ R033 Rose 

Passage, Privacy & Dummy

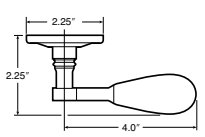


Item #	Description	003, 031, 033 044, 055, 056, 076 102, 112, 190, 260
5141.xxx.FD	Full Dummy	\$286
5141.xxx.RDM	RIGHT Hand Half Dummy	\$143
5141.xxx.LDM	LEFT Hand Half Dummy	\$143
5141.xxx.PASS	Passage: 2 3/8" backset	\$358
5141.xxx.PRIV	Privacy: 2 3/8" backset	\$358

- Works with 1-3/8" and 1-3/4" thick doors
- PASS and PRIV functions ship with a full lip strike and Pre-Drilled Door Adaptor.
- Quick Ship is only available with 2 3/8" backset latch. See 2 3/4" latch options on page 63.
- Ships with a Full Lip Strike. See T-Strike options on page 65.

5152 Lever w/ 5048 Rose 

Passage, Privacy & Dummy

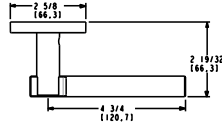


Item #	Description	003, 031, 033 044, 055, 056, 076 102, 112, 190, 260
5152.xxx.FD	Full Dummy	\$286
5152.xxx.RDM	RIGHT Hand Half Dummy	\$143
5152.xxx.LDM	LEFT Hand Half Dummy	\$143
5152.xxx.PASS	Passage: 2 3/8" backset	\$358
5152.xxx.PRIV	Privacy: 2 3/8" backset	\$358

- Works with 1-3/8" and 1-3/4" thick doors
- PASS and PRIV functions ship with a full lip strike and Pre-Drilled Door Adaptor.
- Quick Ship is only available with 2 3/8" backset latch. See 2 3/4" latch options on page 63.
- Ships with a Full Lip Strike. See T-Strike options on page 65.

QUICK SHIP is available in functions and finishes shown in red.

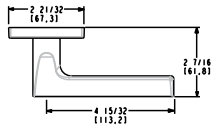
5161 Lever w/ 5046 Rose 
Passage, Privacy & Dummy



Item #	Description	044, 055, 056, 076 102, 112, 190, 260
5161.xxx.FD	Full Dummy	\$286
5161.xxx.RDM	RIGHT Hand Half Dummy	\$143
5161.xxx.LDM	LEFT Hand Half Dummy	\$143
5161.xxx.PASS	Passage: 2 3/8" backset	\$358
5161.xxx.PRIV	Privacy: 2 3/8" backset	\$358

- Works with 1-3/8" and 1-3/4" thick doors
- PASS and PRIV functions ship with a full lip strike and Pre-Drilled Door Adaptor.
- Quick Ship is only available with 2 3/8" backset latch. See 2 3/4" latch options on page 63.
- Ships with a Full Lip Strike. See T-Strike options on page 65.

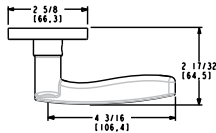
5162 Lever w/ R017 Rose 
Passage, Privacy & Dummy



Item #	Description	044, 055, 056, 076 102, 112, 190, 260
5162.xxx.FD	Full Dummy	\$276
5162.xxx.RDM	RIGHT Hand Half Dummy	\$138
5162.xxx.LDM	LEFT Hand Half Dummy	\$138
5162.xxx.PASS	Passage: 2 3/8" backset	\$345
5162.xxx.PRIV	Privacy: 2 3/8" backset	\$345

- Works with 1-3/8" and 1-3/4" thick doors
- PASS and PRIV functions ship with a full lip strike and Pre-Drilled Door Adaptor.
- Quick Ship is only available with 2 3/8" backset latch. See 2 3/4" latch options on page 63.
- Ships with a Full Lip Strike. See T-Strike options on page 65.

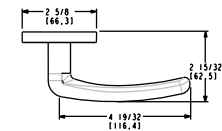
5164 Lever w/ 5046 Rose 
Passage, Privacy & Dummy



Item #	Description	044, 055, 056, 076 102, 112, 190, 260
5164.xxx.FD	Full Dummy	\$286
5164.xxx.RDM	RIGHT Hand Half Dummy	\$143
5164.xxx.LDM	LEFT Hand Half Dummy	\$143
5164.xxx.PASS	Passage: 2 3/8" backset	\$358
5164.xxx.PRIV	Privacy: 2 3/8" backset	\$358

- Works with 1-3/8" and 1-3/4" thick doors
- PASS and PRIV functions ship with a full lip strike and Pre-Drilled Door Adaptor.
- Quick Ship is only available with 2 3/8" backset latch. See 2 3/4" latch options on page 63.
- Ships with a Full Lip Strike. See T-Strike options on page 65.

5165 Lever w/ 5046 Rose 
Passage, Privacy & Dummy



Item #	Description	044, 055, 056, 076 102, 112, 190, 260
5165.xxx.FD	Full Dummy	\$286
5165.xxx.RDM	RIGHT Hand Half Dummy	\$143
5165.xxx.LDM	LEFT Hand Half Dummy	\$143
5165.xxx.PASS	Passage: 2 3/8" backset	\$358
5165.xxx.PRIV	Privacy: 2 3/8" backset	\$358

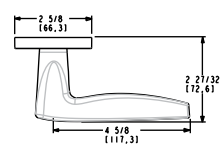
- Works with 1-3/8" and 1-3/4" thick doors
- PASS and PRIV functions ship with a full lip strike and Pre-Drilled Door Adaptor.
- Quick Ship is only available with 2 3/8" backset latch. See 2 3/4" latch options on page 63.
- Ships with a Full Lip Strike. See T-Strike options on page 65.

QUICK SHIP is available in functions and finishes shown in red.

PRE-CONFIGURED SETS | LEVERS

5166 Lever w/ 5046 Rose 

Passage, Privacy & Dummy

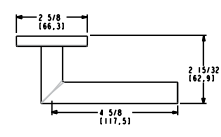


Item #	Description	044, 055, 056, 076 102, 112, 190, 260
5166.xxx.FD	Full Dummy	\$286
5166.xxx.RDM	RIGHT Hand Half Dummy	\$143
5166.xxx.LDM	LEFT Hand Half Dummy	\$143
5166.xxx.PASS	Passage: 2 3/8" backset	\$358
5166.xxx.PRIV	Privacy: 2 3/8" backset	\$358

- Works with 1-3/8" and 1-3/4" thick doors
- PASS and PRIV functions ship with a full lip strike and Pre-Drilled Door Adaptor.
- Quick Ship is only available with 2 3/8" backset latch. See 2 3/4" latch options on page 63.
- Ships with a Full Lip Strike. See T-Strike options on page 65.


5173 Lever w/ 5046 Rose 

Passage, Privacy & Dummy

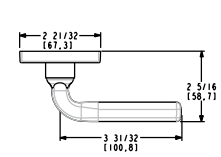


Item #	Description	044, 055, 056, 076 102, 112, 190, 260
5173.xxx.FD	Full Dummy	\$286
5173.xxx.RDM	RIGHT Hand Half Dummy	\$143
5173.xxx.LDM	LEFT Hand Half Dummy	\$143
5173.xxx.PASS	Passage: 2 3/8" backset	\$358
5173.xxx.PRIV	Privacy: 2 3/8" backset	\$358

- Works with 1-3/8" and 1-3/4" thick doors
- PASS and PRIV functions ship with a full lip strike and Pre-Drilled Door Adaptor.
- Quick Ship is only available with 2 3/8" backset latch. See 2 3/4" latch options on page 63.
- Ships with a Full Lip Strike. See T-Strike options on page 65.


5190 Lever w/ R017 Rose 

Passage, Privacy & Dummy

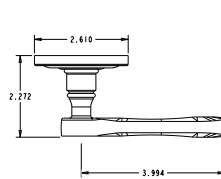


Item #	Description	003, 031, 033 044, 055, 056, 076 102, 112, 190, 260
5190.xxx.FD	Full Dummy	\$286
5190.xxx.RDM	RIGHT Hand Half Dummy	\$143
5190.xxx.LDM	LEFT Hand Half Dummy	\$143
5190.xxx.PASS	Passage: 2 3/8" backset	\$358
5190.xxx.PRIV	Privacy: 2 3/8" backset	\$358

- Works with 1-3/8" and 1-3/4" thick doors
- PASS and PRIV functions ship with a full lip strike and Pre-Drilled Door Adaptor.
- Quick Ship is only available with 2 3/8" backset latch. See 2 3/4" latch options on page 63.
- Ships with a Full Lip Strike. See T-Strike options on page 65.

5445V Lever w/ 5048 Rose 

Passage, Privacy & Dummy

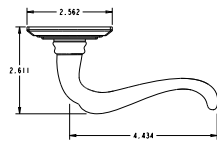


Item #	Description	003, 031, 033 044, 055, 056, 076 102, 112, 190, 260
5445V.xxx.FD	Full Dummy	\$244
5445V.xxx.RDM	RIGHT Hand Half Dummy	\$122
5445V.xxx.LDM	LEFT Hand Half Dummy	\$122
5445V.xxx.PASS	Passage: 2 3/8" backset	\$305
5445V.xxx.PRIV	Privacy: 2 3/8" backset	\$305

- Works with 1-3/8" and 1-3/4" thick doors
- PASS and PRIV functions ship with a full lip strike and Pre-Drilled Door Adaptor.
- Quick Ship is only available with 2 3/8" backset latch. See 2 3/4" latch options on page 63.
- Ships with a Full Lip Strike. See T-Strike options on page 65.


QUICK SHIP is available in functions and finishes shown in red.

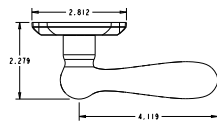
5447V Lever w/ R027 Rose 
Passage, Privacy & Dummy



Item #	Description	003, 031, 033 044, 055, 056, 076 102, 112, 190, 260
5447V.xxx.FD	Full Dummy	\$244
5447V.xxx.RDM	RIGHT Hand Half Dummy	\$122
5447V.xxx.LDM	LEFT Hand Half Dummy	\$122
5447V.xxx.PASS	Passage: 2 3/8" backset	\$305
5447V.xxx.PRIV	Privacy: 2 3/8" backset	\$305


- Works with 1-3/8" and 1-3/4" thick doors
- PASS and PRIV functions ship with a full lip strike and Pre-Drilled Door Adaptor.
- Quick Ship is only available with 2 3/8" backset latch. See 2 3/4" latch options on page 63.
- Ships with a Full Lip Strike. See T-Strike options on page 65.

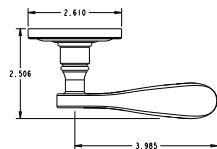
5452V Lever w/ R030 Rose 
Passage, Privacy & Dummy



Item #	Description	102, 112 190, 402
5452V.xxx.FD	Full Dummy	\$244
5452V.xxx.RDM	RIGHT Hand Half Dummy	\$122
5452V.xxx.LDM	LEFT Hand Half Dummy	\$122
5452V.xxx.PASS	Passage: 2 3/8" backset	\$305
5452V.xxx.PRIV	Privacy: 2 3/8" backset	\$305

- Works with 1-3/8" and 1-3/4" thick doors
- PASS and PRIV functions ship with a full lip strike and Pre-Drilled Door Adaptor.
- Quick Ship is only available with 2 3/8" backset latch. See 2 3/4" latch options on page 63.
- Ships with a Full Lip Strike. See T-Strike options on page 65.

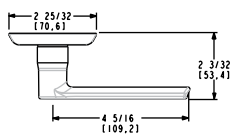
5455V Lever w/ 5048 Rose 
Passage, Privacy & Dummy



Item #	Description	003, 031, 033 044, 055, 056, 076 102, 112, 190, 260
5455V.xxx.FD	Full Dummy	\$244
5455V.xxx.RDM	RIGHT Hand Half Dummy	\$122
5455V.xxx.LDM	LEFT Hand Half Dummy	\$122
5455V.xxx.PASS	Passage: 2 3/8" backset	\$305
5455V.xxx.PRIV	Privacy: 2 3/8" backset	\$305

- Works with 1-3/8" and 1-3/4" thick doors
- PASS and PRIV functions ship with a full lip strike and Pre-Drilled Door Adaptor.
- Quick Ship is only available with 2 3/8" backset latch. See 2 3/4" latch options on page 63.
- Ships with a Full Lip Strike. See T-Strike options on page 65.

5485V Lever w/ R026 Rose 
Passage, Privacy & Dummy



Item #	Description	044, 055, 056, 076 102, 112, 190, 260
5485V.xxx.FD	Full Dummy	\$244
5485V.xxx.RDM	RIGHT Hand Half Dummy	\$122
5485V.xxx.LDM	LEFT Hand Half Dummy	\$122
5485V.xxx.PASS	Passage: 2 3/8" backset	\$305
5485V.xxx.PRIV	Privacy: 2 3/8" backset	\$305

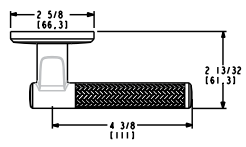
- Works with 1-3/8" and 1-3/4" thick doors
- PASS and PRIV functions ship with a full lip strike and Pre-Drilled Door Adaptor.
- Quick Ship is only available with 2 3/8" backset latch. See 2 3/4" latch options on page 63.
- Ships with a Full Lip Strike. See T-Strike options on page 65.

QUICK SHIP is available in functions and finishes shown in red.

PRE-CONFIGURED SETS | LEVERS

L015 Lever w/ R016 Rose

Passage, Privacy & Dummy

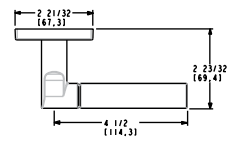


Item #	Description	044, 055, 056, 076 102, 112, 190, 260
L015.xxx.FD	Full Dummy	\$312
L015.xxx.RDM	RIGHT Hand Half Dummy	\$156
L015.xxx.LDM	LEFT Hand Half Dummy	\$156
L015.xxx.PASS	Passage: 2 3/8" backset	\$390
L015.xxx.PRIV	Privacy: 2 3/8" backset	\$390

- Works with 1-3/8" and 1-3/4" thick doors
- PASS and PRIV functions ship with a full lip strike and Pre-Drilled Door Adaptor.
- Quick Ship is only available with 2 3/8" backset latch. See 2 3/4" latch options on page 63.
- Ships with a Full Lip Strike. See T-Strike options on page 65.

L021 Lever w/ R017 Rose

Passage, Privacy & Dummy

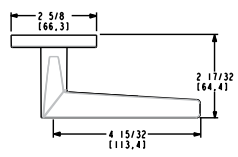


Item #	Description	044, 055, 056, 076 102, 112, 190, 260
L021.xxx.FD	Full Dummy	\$286
L021.xxx.RDM	RIGHT Hand Half Dummy	\$143
L021.xxx.LDM	LEFT Hand Half Dummy	\$143
L021.xxx.PASS	Passage: 2 3/8" backset	\$358
L021.xxx.PRIV	Privacy: 2 3/8" backset	\$358

- Works with 1-3/8" and 1-3/4" thick doors
- PASS and PRIV functions ship with a full lip strike and Pre-Drilled Door Adaptor.
- Quick Ship is only available with 2 3/8" backset latch. See 2 3/4" latch options on page 63.
- Ships with a Full Lip Strike. See T-Strike options on page 65.

L022 Lever w/ R017 Rose

Passage, Privacy & Dummy

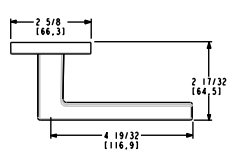


Item #	Description	044, 055, 056, 076 102, 112, 190, 260
L022.xxx.FD	Full Dummy	\$286
L022.xxx.RDM	RIGHT Hand Half Dummy	\$143
L022.xxx.LDM	LEFT Hand Half Dummy	\$143
L022.xxx.PASS	Passage: 2 3/8" backset	\$358
L022.xxx.PRIV	Privacy: 2 3/8" backset	\$358

- Works with 1-3/8" and 1-3/4" thick doors
- PASS and PRIV functions ship with a full lip strike and Pre-Drilled Door Adaptor.
- Quick Ship is only available with 2 3/8" backset latch. See 2 3/4" latch options on page 63.
- Ships with a Full Lip Strike. See T-Strike options on page 65.

L023 Lever w/ R017 Rose

Passage, Privacy & Dummy



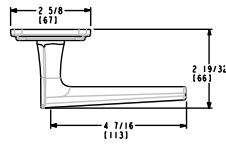
Item #	Description	044, 055, 056, 076 102, 112, 190, 260
L023.xxx.FD	Full Dummy	\$312
L023.xxx.RDM	RIGHT Hand Half Dummy	\$156
L023.xxx.LDM	LEFT Hand Half Dummy	\$156
L023.xxx.PASS	Passage: 2 3/8" backset	\$390
L023.xxx.PRIV	Privacy: 2 3/8" backset	\$390

- Works with 1-3/8" and 1-3/4" thick doors
- PASS and PRIV functions ship with a full lip strike and Pre-Drilled Door Adaptor.
- Quick Ship is only available with 2 3/8" backset latch. See 2 3/4" latch options on page 63.
- Ships with a Full Lip Strike. See T-Strike options on page 65.

QUICK SHIP is available in functions and finishes shown in red.

L024 Lever w/ R046 Rose

Passage, Privacy & Dummy



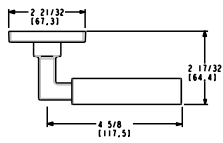
003, 031, 033
044, 055, 056, 076
102, 112, 190, 260

Item #	Description	
L024.xxx.FD	Full Dummy	\$312
L024.xxx.RDM	RIGHT Hand Half Dummy	\$156
L024.xxx.LDM	LEFT Hand Half Dummy	\$156
L024.xxx.PASS	Passage: 2 3/8" backset	\$390
L024.xxx.PRIV	Privacy: 2 3/8" backset	\$390

- Works with 1-3/8" and 1-3/4" thick doors
- PASS and PRIV functions ship with a full lip strike and Pre-Drilled Door Adaptor.
- Quick Ship is only available with 2 3/8" backset latch. See 2 3/4" latch options on page 63.
- Ships with a Full Lip Strike. See T-Strike options on page 65.

L029 Gramercy Lever w/ R017 Rose

Passage, Privacy & Dummy



003, 031, 033
044, 055, 056, 076
102, 112, 190, 260

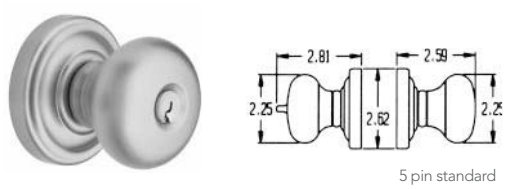
Item #	Description	
L029.xxx.FD	Full Dummy	\$312
L029.xxx.RDM	RIGHT Hand Half Dummy	\$156
L029.xxx.LDM	LEFT Hand Half Dummy	\$156
L029.xxx.PASS	Passage: 2 3/8" backset	\$390
L029.xxx.PRIV	Privacy: 2 3/8" backset	\$390

- Works with 1-3/8" and 1-3/4" thick doors
- PASS and PRIV functions ship with a full lip strike and Pre-Drilled Door Adaptor.
- Quick Ship is only available with 2 3/8" backset latch. See 2 3/4" latch options on page 63.
- Ships with a Full Lip Strike. See T-Strike options on page 65.

PRE-CONFIGURED SETS | TUBULAR KEYED ENTRY KNOBS

NOTE: Specialty Keying will extend the Quick Ship lead time out to 4 weeks.

Classic Knob w/ Classic Rose

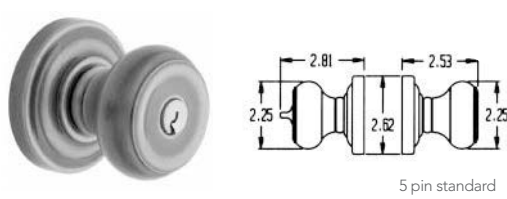


003, 031, 033, 044
050, 055, 056, 060
076, 102, 112,
190, 260, 402

Item #	Description	Wt.	
5205.xxx.ENTR	Emergency Exit	3.1	\$330
5206.xxx.ENTR	Emergency Exit: 1 1/8" to 2 1/4" doors	3.1	\$330
5205.xxx.FD	Full Dummy	1.9	\$285
5206.xxx.FD	Full Dummy: 1 1/8" to 2 1/4" doors	1.9	\$285
5208.xxx.ENTR	Standard	3.1	\$330
5209.xxx.ENTR	Standard: 1 1/8" to 2 1/4" doors	3.1	\$330

NOTE: Split finish available, please contact customer service for special order instructions.

Colonial Knob w/ Classic Rose

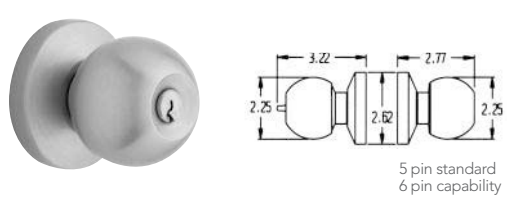


003, 031, 033, 044
050, 055, 056, 060
076, 102, 112,
190, 260, 402

Item #	Description	Wt.	
5210.xxx.ENTR	Emergency Exit	3.1	\$330
5211.xxx.ENTR	Emergency Exit: 1 1/8" to 2 1/4" doors	3.1	\$330
5210.xxx.FD	Full Dummy	2.1	\$285
5211.xxx.FD	Full Dummy: 1 1/8" to 2 1/4" doors	2.1	\$285
5213.xxx.ENTR	Standard	3.1	\$330
5214.xxx.ENTR	Standard: 1 1/8" to 2 1/4" doors	3.1	\$330

NOTE: Split finish available, please contact customer service for special order instructions.

Modern Knob w/ Contemporary Rose

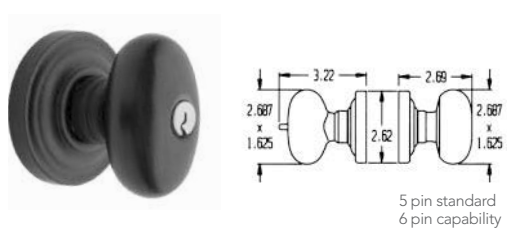


003, 031, 033, 044
050, 055, 056, 060
076, 102, 112,
190, 260, 402

Item #	Description	Wt.	
5215.xxx.ENTR	Emergency Exit	3.4	\$330
5216.xxx.ENTR	Emergency Exit: 1 1/8" to 2 1/4" doors	3.4	\$330
5215.xxx.FD	Full Dummy	2.5	\$285
5216.xxx.FD	Full Dummy: 1 1/8" to 2 1/4" doors	2.5	\$285
5218.xxx.ENTR	Standard	3.4	\$330
5219.xxx.ENTR	Standard: 1 1/8" to 2 1/4" doors	3.4	\$330

NOTE: Split finish available, please contact customer service for special order instructions.

Egg Knob w/ Classic Rose



003, 031, 033, 044
050, 055, 056, 060
076, 102, 112,
190, 260, 402

Item #	Description	Wt.	
5225.xxx.ENTR	Emergency Exit	3.6	\$330
5226.xxx.ENTR	Emergency Exit: 1 1/8" to 2 1/4" doors	3.6	\$330
5225.xxx.FD	Full Dummy	3.0	\$285
5226.xxx.FD	Full Dummy: 1 1/8" to 2 1/4" doors	3.0	\$285
5228.xxx.ENTR	Standard	3.6	\$330
5229.xxx.ENTR	Standard: 1 1/8" to 2 1/4" doors	3.6	\$330

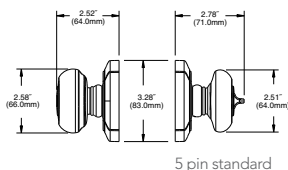
NOTE: Split finish available, please contact customer service for special order instructions.

NOTE: Accommodates 1 3/8" and 1 3/4" door thickness.

Emergency Exit: The Knob or lever will retract the bolt while the exterior remains locked.
Standard Exit: The knob or lever must be unlocked prior to exit.

QUICK SHIP is available in functions and finishes shown in red.

Bethpage Knob w/ Bethpage Rose



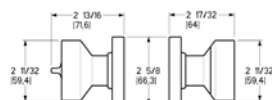
5 pin standard

003, 031, 033, 044
050, 055, 056, 060
076, 102, 112,
190, 260, 402

Item #	Description	Wt.	
5237.xxx.ENTR	Emergency Exit	3.6	\$330
5238.xxx.ENTR	Emergency Exit: 1 1/8" to 2 1/4" doors	3.6	\$330
5237.xxx.FD	Full Dummy	3.0	\$285
5238.xxx.FD	Full Dummy: 1 1/8" to 2 1/4" doors	3.0	\$285
5239.xxx.ENTR	Standard	3.6	\$330
5241.xxx.ENTR	Standard: 1 1/8" to 2 1/4" doors	3.0	\$330

NOTE: Split finish available, please contact customer service for special order instructions.

Contemporary Knob w/ Round Rose



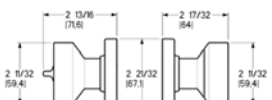
5 pin capability

003, 031, 033, 044
055, 056, 076, 102
112, 190, 260

Item #	Description	Wt.	
5230.xxx.ENTR	Emergency Exit	3.6	\$330
5231.xxx.ENTR	Emergency Exit: 1 1/8" to 2 1/4" doors	3.6	\$330
5230.xxx.FD	Full Dummy	3.0	\$285
5231.xxx.FD	Full Dummy: 1 1/8" to 2 1/4" doors	3.0	\$285
5233.xxx.ENTR	Standard	3.6	\$330
5234.xxx.ENTR	Standard: 1 1/8" to 2 1/4" doors	3.0	\$330

NOTE: Split finish available, please contact customer service for special order instructions.

Contemporary Knob w/ Square Rose



5 pin capability

003, 031, 033, 044
055, 056, 076, 102
112, 190, 260

Item #	Description	Wt.	
5250.xxx.ENTR	Emergency Exit	4.3	\$330
5251.xxx.ENTR	Emergency Exit: 1 1/8" to 2 1/4" doors	4.3	\$330
5250.xxx.FD	Full Dummy	3.1	\$285
5251.xxx.FD	Full Dummy: 1 1/8" to 2 1/4" doors	3.1	\$285
5253.xxx.ENTR	Standard	4.3	\$330
5254.xxx.ENTR	Standard: 1 1/8" to 2 1/4" doors	4.3	\$330

NOTE: Split finish available, please contact customer service for special order instructions.

NOTE: Accommodates 1 3/8" and 1 3/4" door thickness.

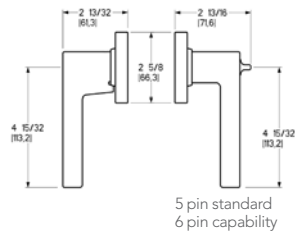
Emergency Exit: The Knob or lever will retract the bolt while the exterior remains locked.

Standard Exit: The knob or lever must be unlocked prior to exit.

QUICK SHIP is available in functions and finishes shown in red.

PRE-CONFIGURED SETS | TUBULAR KEYED ENTRY LEVERS

Square Lever w/ Round Rose

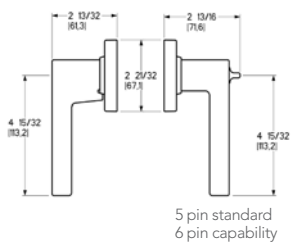


003, 031, 033, 044
055, 056, 076, 102
112, 190, 260

Item #	Description	Wt.	
5260.xxx.RENT	RIGHT Hand Emergency Exit	3.6	\$330
5260.xxx.LENT	LEFT Hand Emergency Exit	3.6	\$330
5261.xxx.RENT	RIGHT Hand Emergency Exit: 1 1/8" to 2 1/4" doors	3.6	\$330
5261.xxx.LENT	LEFT Hand Emergency Exit: 1 1/8" to 2 1/4" doors	3.6	\$330
5260.xxx.FD	Full Dummy	3.1	\$285
5261.xxx.FD	Full Dummy: 1 1/8" to 2 1/4" doors	3.1	\$285
5263.xxx.RENT	RIGHT Hand Standard	3.6	\$330
5263.xxx.LENT	LEFT Hand Standard	3.6	\$330
5264.xxx.RENT	RIGHT Hand Standard: 1 1/8" to 2 1/4" doors	3.6	\$330
5264.xxx.LENT	LEFT Hand Standard: 1 1/8" to 2 1/4" doors	3.6	\$330

NOTE: Split finish available, please contact customer service for special order instructions.

Square Lever w/ Square Rose

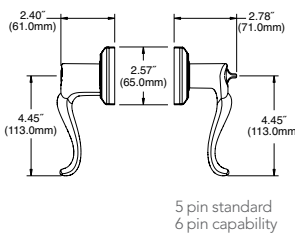


003, 031, 033, 044
055, 056, 076, 102
112, 190, 260

Item #	Description	Wt.	
5285.xxx.RENT	RIGHT Hand Emergency Exit	3.7	\$330
5285.xxx.LENT	LEFT Hand Emergency Exit	3.7	\$330
5286.xxx.RENT	RIGHT Hand Emergency Exit: 1 1/8" to 2 1/4" doors	3.7	\$330
5286.xxx.LENT	LEFT Hand Emergency Exit: 1 1/8" to 2 1/4" doors	3.7	\$330
5285.xxx.FD	Full Dummy	3.2	\$285
5286.xxx.FD	Full Dummy: 1 1/8" to 2 1/4" doors	3.2	\$285
5288.xxx.RENT	RIGHT Hand Standard	3.7	\$330
5288.xxx.LENT	LEFT Hand Standard	3.7	\$330
5289.xxx.RENT	RIGHT Hand Standard: 1 1/8" to 2 1/4" doors	3.7	\$330
5289.xxx.LENT	LEFT Hand Standard: 1 1/8" to 2 1/4" doors	3.7	\$330

NOTE: Split finish available, please contact customer service for special order instructions.

Bethpage Lever w/ Bethpage Rose



003, 031, 033, 044
050, 055, 056, 060
076, 102, 112,
190, 260, 402

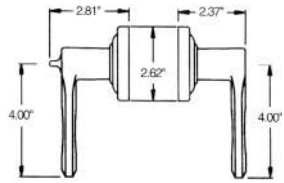
Item #	Description	Wt.	
5237.xxx.RENT	RIGHT Hand Emergency Exit	3.9	\$330
5237.xxx.LENT	LEFT Hand Emergency Exit	3.9	\$330
5238.xxx.RENT	RIGHT Hand Emergency Exit: 1 1/8" to 2 1/4" doors	3.5	\$330
5238.xxx.LENT	LEFT Hand Emergency Exit: 1 1/8" to 2 1/4" doors	3.5	\$330
5237.xxx.LRFD	Full Dummy	3.0	\$285
5238.xxx.LRFD	Full Dummy: 1 1/8" to 2 1/4" doors	3.0	\$285
5239.xxx.RENT	RIGHT Hand Standard	3.9	\$330
5239.xxx.LENT	LEFT Hand Standard	3.9	\$330
5241.xxx.RENT	RIGHT Hand Standard: 1 1/8" to 2 1/4" doors	3.5	\$330
5241.xxx.LENT	LEFT Hand Standard: 1 1/8" to 2 1/4" doors	3.5	\$330

NOTE: Split finish available, please contact customer service for special order instructions.

Emergency Exit: The knob or lever will retract the latch while the exterior remains locked.
Standard Exit: The knob or lever must be unlocked prior to exit.

QUICK SHIP is available in functions and finishes shown in red.

Classic Lever w/ Classic Rose



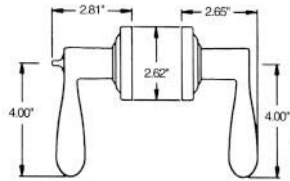
5 pin standard
6 pin capability

003, 031, 033, 044
050, 055, 056, 060
076, 102, 112,
190, 260, 402

Item #	Description	Wt.	
5245.xxx.RENT	RIGHT Hand Emergency Exit	2.2	\$330
5245.xxx.LENT	LEFT Hand Emergency Exit	2.2	\$330
5246.xxx.RENT	RIGHT Hand Emergency Exit: 1 1/8" to 2 1/4" doors	2.2	\$330
5246.xxx.LENT	LEFT Hand Emergency Exit: 1 1/8" to 2 1/4" doors	2.2	\$330
5245.xxx.FD	Full Dummy	2.0	\$285
5246.xxx.FD	Full Dummy: 1 1/8" to 2 1/4" doors	2.0	\$285
5248.xxx.RENT	RIGHT Hand Standard	2.2	\$330
5248.xxx.LENT	LEFT Hand Standard	2.2	\$330
5249.xxx.RENT	RIGHT Hand Standard: 1 1/8" to 2 1/4" doors	2.2	\$330
5249.xxx.LENT	LEFT Hand Standard: 1 1/8" to 2 1/4" doors	2.2	\$330

NOTE: Split finish available, please contact customer service for special order instructions.

Wave Lever w/ Classic Rose



5 pin standard
6 pin capability

003, 031, 033, 044
050, 055, 056, 060
076, 102, 112,
190, 260, 402

Item #	Description	Wt.	
5255.xxx.RENT	RIGHT Hand Emergency Exit	2.8	\$330
5255.xxx.LENT	LEFT Hand Emergency Exit	2.8	\$330
5256.xxx.RENT	RIGHT Hand Emergency Exit: 1 1/8" to 2 1/4" doors	2.8	\$330
5256.xxx.LENT	LEFT Hand Emergency Exit: 1 1/8" to 2 1/4" doors	2.8	\$330
5255.xxx.FD	Full Dummy	2.0	\$285
5256.xxx.FD	Full Dummy: 1 1/8" to 2 1/4" doors	2.0	\$285
5258.xxx.RENT	RIGHT Hand Standard	2.8	\$330
5258.xxx.LENT	LEFT Hand Standard	2.8	\$330
5259.xxx.RENT	RIGHT Hand Standard: 1 1/8" to 2 1/4" doors	2.8	\$330
5259.xxx.LENT	LEFT Hand Standard: 1 1/8" to 2 1/4" doors	2.8	\$330

NOTE: Split finish available, please contact customer service for special order instructions.

Emergency Exit: The knob or lever will retract the latch while the exterior remains locked.
Standard Exit: The knob or lever must be unlocked prior to exit.

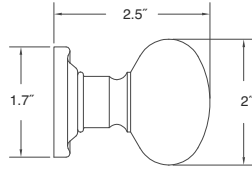
QUICK SHIP is available in functions and finishes shown in red.



A LA CARTE
KNOBS & LEVERS

5000 Knob

shown w/ 5002 Rose



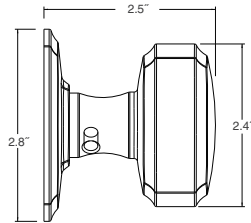
003, 031, 033
044, 050, 055, 056
060, 076, 102, 112,
190, 260, 402

Item #	Description	Wt.	
5000.xxx.MR	Minus Roses – pair	1.8	\$262
5000.xxx.IMR	Individual Minus Rose – half pair	0.9	\$131
5000.xxx.MRPN	Minus Roses – pair (PINNED)	1.8	\$341

A LA CARTE KNOBS
AND LEVERS

5011 Knob

shown w/ 5058 Rose

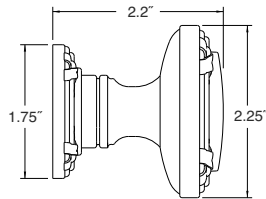


003, 031, 033
044, 050, 055, 056
060, 076, 102, 112,
190, 260, 402

Item #	Description	Wt.	
5011.xxx.MR	Minus Roses – pair	1.1	\$262
5011.xxx.IMR	Individual Minus Rose – half pair	0.55	\$131
5011.xxx.MRPN	Minus Roses – pair (PINNED)	1.1	\$341

5013 Knob

shown w/ 5016 Rose

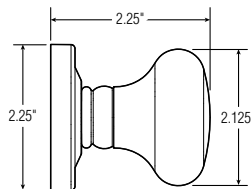


003, 031, 033
044, 050, 055, 056
060, 076, 102, 112,
190, 260, 402

Item #	Description	Wt.	
5013.xxx.MR	Minus Roses – pair	2.1	\$262
5013.xxx.IMR	Individual Minus Rose – half pair	1.1	\$131
5013.xxx.MRPN	Minus Roses – pair (PINNED)	2.1	\$341

5015 Knob

shown w/ 5017 Rose

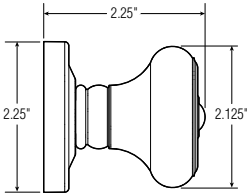


003, 031, 033
044, 050, 055, 056
060, 076, 102, 112,
190, 260, 402

Item #	Description	Wt.	
5015.xxx.MR	Minus Roses – pair	1.8	\$210
5015.xxx.IMR	Individual Minus Rose – half pair	0.9	\$105
5015.xxx.MRPN	Minus Roses – pair (PINNED)	1.8	\$273

5020 Knob

shown w/ 5017 Rose

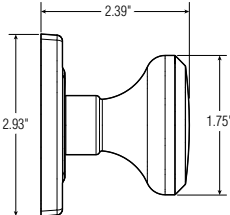


003, 031, 033
044, 050, 055, 056
060, 076, 102, 112,
190, 260, 402

Item #	Description	Wt.	
5020.xxx.MR	Minus Roses – pair	1.8	\$210
5020.xxx.IMR	Individual Minus Rose – half pair	0.9	\$105
5020.xxx.MRPN	Minus Roses – pair (PINNED)	1.8	\$273

5023 Knob

shown w/ R016 Rose

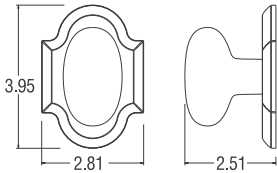


003, 031, 033
044, 050, 055, 056
060, 076, 102, 112,
190, 260, 402

Item #	Description	Wt.	
5023.xxx.MR	Minus Roses – pair	1.8	\$210
5023.xxx.IMR	Individual Minus Rose – half pair	0.9	\$105
5023.xxx.MRPN	Minus Roses – pair (PINNED)	1.8	\$273

5024 Oval Knob

shown w/ R030 Arch Rose

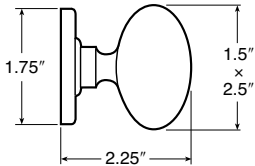


003, 031, 033
044, 050, 055, 056
060, 076, 102, 112,
190, 260, 402

Item #	Description	Wt.	
5024.xxx.MR	Minus Roses – pair	1.8	\$210
5024.xxx.IMR	Minus Roses - half pair	0.9	\$105
5024.xxx.MRPN	Minus Roses - pair (PINNED)		\$273

5025 Knob

shown w/ 5002 Rose

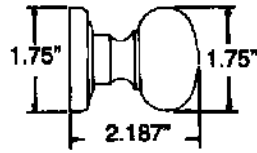
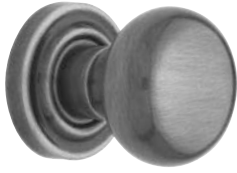


003, 031, 033
044, 050, 055, 056
060, 076, 102, 112,
190, 260, 402

Item #	Description	Wt.	
5025.xxx.MR	Minus Roses – pair	1.8	\$210
5025.xxx.IMR	Individual Minus Rose – half pair	0.9	\$105
5025.xxx.MRPN	Minus Roses – pair (PINNED)	1.8	\$273

5030 Knob

shown w/ 5002 Rose



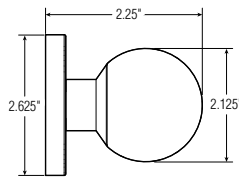
003, 031, 033
044, 050, 055, 056
060, 076, 102, 112,
190, 260, 402

Item #	Description	Wt.	
5030.xxx.MR	Minus Roses – pair	1.8	\$262
5030.xxx.IMR	Individual Minus Rose – half pair	0.9	\$131
5030.xxx.MRPN	Minus Roses – pair (PINNED)	1.8	\$341

A LA CARTE KNOBS
AND LEVERS

5041 Knob

shown w/ 5046 Rose

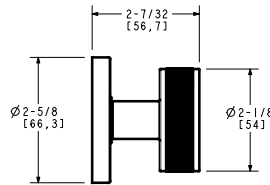


003, 031, 033
044, 050, 055, 056
060, 076, 102, 112,
190, 260, 402

Item #	Description	Wt.	
5041.xxx.MR	Minus Roses – pair	2.4	\$210
5041.xxx.IMR	Individual Minus Rose – half pair	1.2	\$105
5041.xxx.MRPN	Minus Roses – pair (PINNED)	2.4	\$273

5054 Knurled Knob

shown w/ 5046 Rose

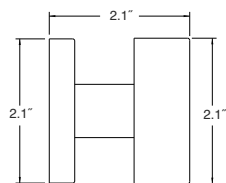


003, 031, 033
044, 050, 055, 056
060, 076, 102, 112,
190, 260, 402

Item #	Description	Wt.	
5054.xxx.MR	Minus Roses - pair	2.0	\$290
5054.xxx.IMR	Individual Minus Rose - half pair	1.0	\$145
5054.xxx.MRPN	Minus Roses – pair (PINNED)	1.9	\$341

5055 Knob

shown w/ 5032 Rose

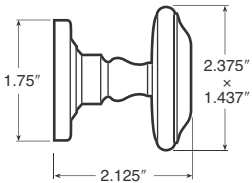


003, 031, 033
044, 050, 055, 056
060, 076, 102, 112,
190, 260, 402

Item #	Description	Wt.	
5055.xxx.MR	Minus Roses – pair	1.9	\$262
5055.xxx.IMR	Individual Minus Rose – half pair	1.0	\$131
5055.xxx.MRPN	Minus Roses – pair (PINNED)	1.9	\$341

5057 Knob

shown w/ 5002 Rose

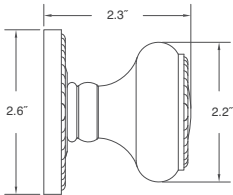


003, 031, 033
044, 050, 055, 056
060, 076, 102, 112,
190, 260, 402

Item #	Description	Wt.	
5057.xxx.MR	Minus Roses – pair	1.4	\$262
5057.xxx.IMR	Individual Minus Rose – half pair	0.7	\$131
5057.xxx.MRPN	Minus Roses – pair (PINNED)	1.4	\$341

5064 Knob

shown w/ 5004 Rose

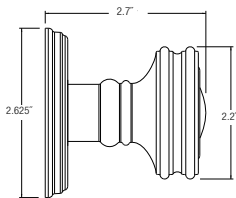


003, 031, 033
044, 050, 055, 056
060, 076, 102, 112,
190, 260, 402

Item #	Description	Wt.	
5064.xxx.MR	Minus Roses – pair	1.9	\$262
5064.xxx.IMR	Individual Minus Rose – half pair	1.0	\$131
5064.xxx.MRPN	Minus Roses – pair (PINNED)	1.9	\$341

5066 Knob

shown w/ 5078 Rose

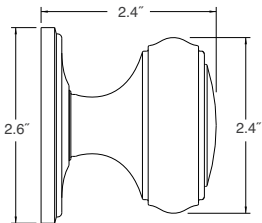


003, 031, 033
044, 050, 055, 056
060, 076, 102, 112,
190, 260, 402

Item #	Description	Wt.	
5066.xxx.MR	Minus Roses – pair	1.1	\$262
5066.xxx.IMR	Individual Minus Rose – half pair	0.55	\$131
5066.xxx.MRPN	Minus Roses – pair (PINNED)	1.1	\$341

5068 Knob

shown w/ 5070 Rose

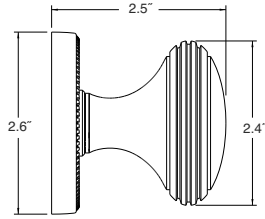


003, 031, 033
044, 050, 055, 056
060, 076, 102, 112,
190, 260, 402

Item #	Description	Wt.	
5068.xxx.MR	Minus Roses – pair	1.1	\$262
5068.xxx.IMR	Individual Minus Rose – half pair	0.55	\$131
5068.xxx.MRPN	Minus Roses – pair (PINNED)	2.3	\$341

5069 Knob

shown w/ 5076 Rose



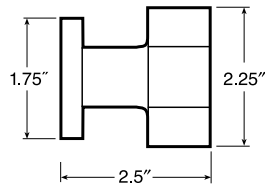
003, 031, 033
044, 050, 055, 056
060, 076, 102, 112,
190, 260, 402

Item #	Description	Wt.	
5069.xxx.MR	Minus Roses – pair	1.1	\$262
5069.xxx.IMR	Individual Minus Rose – half pair	0.55	\$131
5069.xxx.MRPN	Minus Roses – pair (PINNED)	1.1	\$341

A LA CARTE KNOBS
AND LEVERS

5073 Knob

shown w/ 5006 Rose

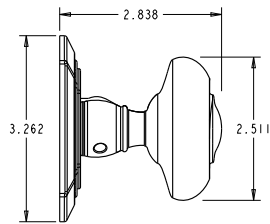


003, 031, 033
044, 050, 055, 056
060, 076, 102, 112,
190, 260, 402

Item #	Description	Wt.	
5073.xxx.MR	Minus Roses – pair	2.3	\$262
5073.xxx.IMR	Individual Minus Rose – half pair	1.2	\$131
5073.xxx.MRPN	Minus Roses – pair (PINNED)	2.3	\$341

5077 Bethpage® Knob

shown w/ R027 Bethpage Rose

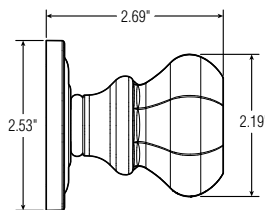


003, 031, 033
044, 050, 055, 056
060, 076, 102, 112,
190, 260, 402

Item #	Description	Wt.	
5077.xxx.MR	Minus Roses – pair	1.8	\$210
5077.xxx.IMR	Minus Rose – half pair	0.4	\$105
5077.xxx.MRPN	Minus Roses – pair (PINNED)		\$273

5080 Filmore Knob

shown w/ 5048 Rose



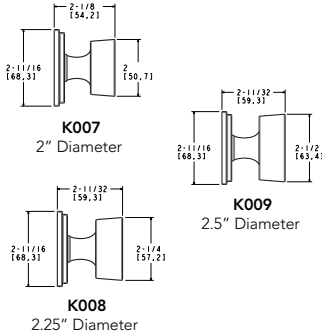
030, 044, 055
102, 112, 140
150, 190, 260

Item #	Description	Wt.	
5080.xxx.MR	Minus Roses – pair	1.2	\$230
5080.xxx.IMR	Minus Rose – half pair	0.6	\$115

K007, K008, K009 Hollywood Hills Knobs



K007 Knob
shown w/ R050 Rose

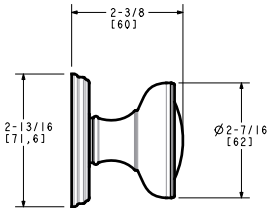


003, 031, 033
044, 050, 055, 056
060, 076, 102, 112,
190, 260, 402

Item #	Description	Wt.	
K007.xxx.MR	Minus Roses – pair	2	\$230
K007.xxx.IMR	Individual Minus Rose – half pair	1.2	\$115
K008.xxx.MR	Minus Roses – pair	2.5	\$262
K008.xxx.IMR	Individual Minus Rose – half pair	1.5	\$131
K009.xxx.MR	Minus Roses – pair	3	\$290
K009.xxx.IMR	Individual Minus Rose – half pair	2	\$145

A LA CARTE KNOBS
AND LEVERS

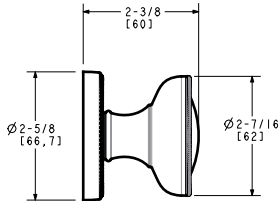
K012 Tulip Knob
shown w/ 5078 Rose



003, 031, 033
044, 050, 055, 056
060, 076, 102, 112,
190, 260, 402

Item #	Description	Wt.	
K012.xxx.MR	Minus Roses - pair	2.2	\$262
K012.xxx.IMR	Individual Minus Rose - half pair	1.1	\$131
K012.xxx.MRPN	Minus Roses – pair (PINNED)		\$341

K013 Coined Tulip Knob
shown w/ 5076 Rose

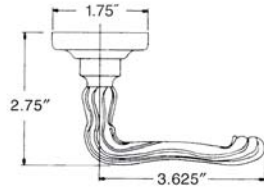


003, 031, 033
044, 050, 055, 056
060, 076, 102, 112,
190, 260, 402

Item #	Description	Wt.	
K013.xxx.MR	Minus Roses - pair	2.2	\$290
K013.xxx.IMR	Individual Minus Rose - half pair	1.1	\$145
K013.xxx.MRPN	Minus Roses – pair (PINNED)		\$374

5101 Lever

shown w/ 5002 Rose



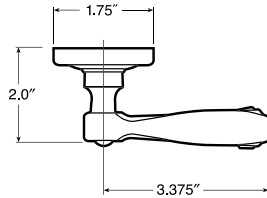
003, 031, 033
044, 050, 055, 056
060, 076, 102, 112,
190, 260, 402

Item #	Description	Wt.	
5101.xxx.MR	Minus Roses – pair	2.5	\$262
5101.xxx.RMR (.LMR)	Right (Left) Minus Rose – half pair	1.3	\$131
5101.xxx.MRPN	Minus Roses – pair (PINNED)	2.5	\$341

A LA CARTE KNOBS
AND LEVERS

5103 Lever

shown w/ 5002 Rose

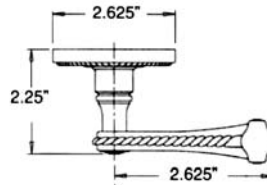


003, 031, 033
044, 050, 055, 056
060, 076, 102, 112,
190, 260, 402

Item #	Description	Wt.	
5103.xxx.MR	Minus Roses – pair	1.5	\$262
5103.xxx.RMR (.LMR)	Right (Left) Minus Rose – half pair	0.8	\$131
5103.xxx.MRPN	Minus Roses – pair (PINNED)	1.5	\$341

5104 Lever

shown w/ 5004 Rose

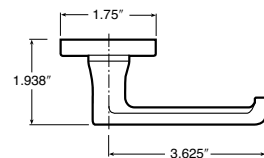


003, 031, 033
044, 050, 055, 056
060, 076, 102, 112,
190, 260, 402

Item #	Description	Wt.	
5104.xxx.MR	Minus Roses – pair	1.5	\$262
5104.xxx.RMR (.LMR)	Right (Left) Minus Rose – half pair	0.8	\$131
5104.xxx.MRPN	Minus Roses – pair (PINNED)	1.5	\$341

5105 Lever

shown w/ 5006 Rose

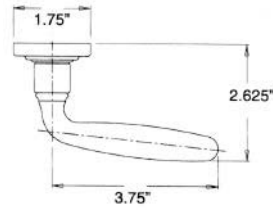


003, 031, 033
044, 050, 055, 056
060, 076, 102, 112,
190, 260, 402

Item #	Description	Wt.	
5105.xxx.MR	Minus Roses – pair	1.0	\$262
5105.xxx.RMR (.LMR)	Right (Left) Minus Rose – half pair	0.5	\$131
5105.xxx.MRPN	Minus Roses – pair (PINNED)	1.0	\$341

5106 Lever

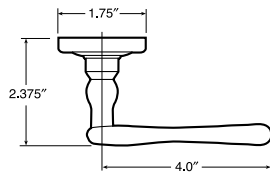
shown w/ 5002 Rose



Item #	Description	Wt.	003, 031, 033 044, 050, 055, 056 060, 076, 102, 112, 190, 260, 402
5106.xxx.MR	Minus Roses – pair	1.0	\$262
5106.xxx.RMR (LMR)	Right (Left) Minus Rose – half pair	0.5	\$131
5106.xxx.MRPN	Minus Roses – pair (PINNED)	1.0	\$341

5108 Lever

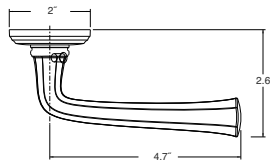
shown w/ 5002 Rose



Item #	Description	Wt.	003, 031, 033 044, 050, 055, 056 060, 076, 102, 112, 190, 260, 402
5108.xxx.MR	Minus Roses – pair	1.3	\$262
5108.xxx.RMR (LMR)	Right (Left) Minus Rose – half pair	0.7	\$131
5108.xxx.MRPN	Minus Roses – pair (PINNED)	1.3	\$341

5112 Lever

shown w/ 5028 Rose

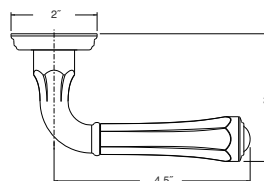


Item #	Description	Wt.	003, 031, 033 044, 050, 055, 056 060, 076, 102, 112, 190, 260, 402
5112.xxx.MR	Minus Roses – pair	1.1	\$262
5112.xxx.RMR (LMR)	Right (Left) Minus Rose – half pair	0.55	\$131
5112.xxx.MRPN	Minus Roses – pair (PINNED)	1.1	\$341

NOTE: We recommend you use our 6504.009 - spring assisted adaptor for 2.125" Pre-Bored Doors, found on page 64

5113 Lever

shown w/ 5038 Rose



Item #	Description	Wt.	003, 031, 033 044, 050, 055, 056 060, 076, 102, 112, 190, 260, 402
5113.xxx.MR	Minus Roses – pair	1.1	\$262
5113.xxx.RMR (LMR)	Right (Left) Minus Rose – half pair	0.55	\$131
5113.xxx.MRPN	Minus Roses – pair (PINNED)	1.1	\$341

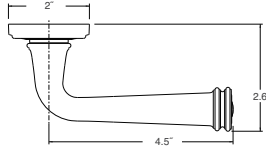
NOTE: We recommend you use our 6504.009 - spring assisted adaptor for 2.125" Pre-Bored Doors, found on page 64

A LA CARTE KNOBS
AND LEVERS

5116 Lever

shown w/ 5010 Rose

003, 031, 033
044, 050, 055, 056
060, 076, 102, 112,
190, 260, 402



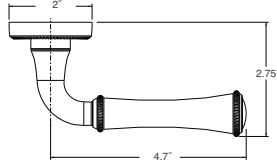
Item #	Description	Wt.	
5116.xxx.MR	Minus Roses – pair	1.1	\$262
5116.xxx.RMR (.LMR)	Right (Left) Minus Rose – half pair	0.55	\$131
5116.xxx.MRPN	Minus Roses – pair (PINNED)	1.1	\$341

NOTE: We recommend you use our 6504.009 - spring assisted adaptor for 2.125" Pre-Bored Doors, found on page 64

5118 Lever

shown w/ 5035 Rose

003, 031, 033
044, 050, 055, 056
060, 076, 102, 112,
190, 260, 402



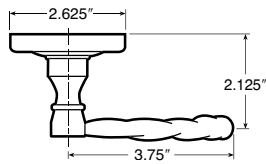
Item #	Description	Wt.	
5118.xxx.MR	Minus Roses – pair	1.1	\$262
5118.xxx.RMR (.LMR)	Right (Left) Minus Rose – half pair	0.55	\$131
5118.xxx.MRPN	Minus Roses – pair (PINNED)	1.1	\$341

NOTE: We recommend you use our 6504.009 - spring assisted adaptor for 2.125" Pre-Bored Doors, found on page 64

5121 Lever

shown w/ R011 Rose

003, 031, 033
044, 050, 055, 056
060, 076, 102, 112,
190, 260, 402

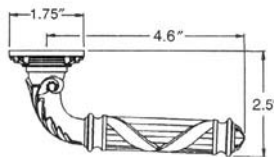


Item #	Description	Wt.	
5121.xxx.MR	Minus Roses – pair	1.0	\$262
5121.xxx.RMR (.LMR)	Right (Left) Minus Rose – half pair	0.5	\$131
5121.xxx.MRPN	Minus Roses – pair (PINNED)	1.0	\$341

5122 Lever

shown w/ 5016 Rose

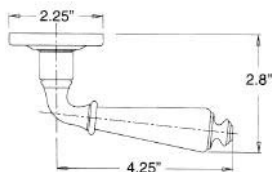
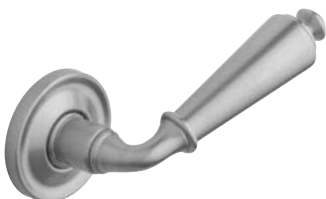
003, 031, 033
044, 050, 055, 056
060, 076, 102, 112,
190, 260, 402



Item #	Description	Wt.	
5122.xxx.MR	Minus Roses – pair	1.6	\$262
5122.xxx.RMR (.LMR)	Right (Left) Minus Rose – half pair	0.8	\$131
5122.xxx.MRPN	Minus Roses – pair (PINNED)	1.6	\$341

5125 Lever

shown w/ 5017 Rose



003, 031, 033
044, 050, 055, 056
060, 076, 102, 112,
190, 260, 402

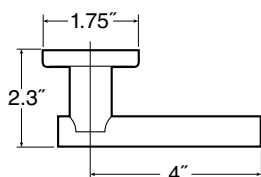
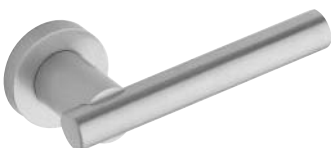
Item #	Description	Wt.	
5125.xxx.MR	Minus Roses – pair	1.4	\$262
5125.xxx.RMR (.LMR)	Right (Left) Minus Rose – half pair	0.7	\$131
5125.xxx.MRPN	Minus Roses – pair (PINNED)	1.4	\$341

NOTE: We recommend you use our 6504.009 - spring assisted adaptor for 2.125" Pre Bore Door's, found on page 64

A LA CARTE KNOBS
AND LEVERS

5137 Lever

shown w/ 5006 Rose

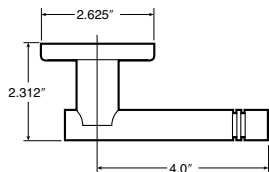


003, 031, 033
044, 050, 055, 056
060, 076, 102, 112,
190, 260, 402

Item #	Description	Wt.	
5137.xxx.MR	Minus Roses – pair	2.1	\$262
5137.xxx.RMR (.LMR)	Right (Left) Minus Rose – half pair	1.1	\$131
5137.xxx.MRPN	Minus Roses – pair (PINNED)	2.1	\$341

5138 Lever

shown w/ 5047 Rose

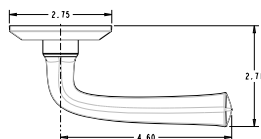


003, 031, 033
044, 050, 055, 056
060, 076, 102, 112,
190, 260, 40

Item #	Description	Wt.	
5138.xxx.MR	Minus Roses – pair	2.3	\$262
5138.xxx.RMR (.LMR)	Right (Left) Minus Rose – half pair	1.2	\$131
5138.xxx.MRPN	Minus Roses – pair (PINNED)	2.3	\$341

5141 Lever

shown w/ R033 Rose

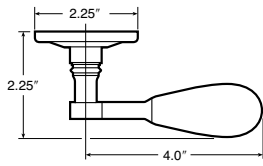


003, 031, 033
044, 050, 055, 056
060, 076, 102, 112,
190, 260, 402

Item #	Description	Wt.	
5141.xxx.MR	Minus Roses – pair	1.1	\$262
5141.xxx.RMR (.LMR)	Right (Left) Minus Rose – half pair	0.55	\$131
5141.xxx.MRPN	Minus Roses – pair (PINNED)	1.1	\$341

5152 Lever

shown w/ 5017 Rose



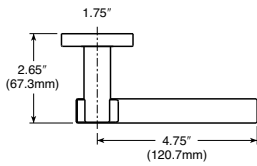
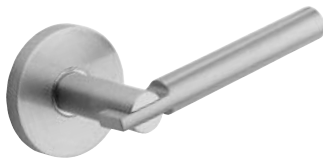
003, 031, 033
044, 050, 055, 056
060, 076, 102, 112,
190, 260, 402

Item #	Description	Wt.	
5152.xxx.MR	Minus Roses – pair	1.0	\$262
5152.xxx.RMR (.LMR)	Right (Left) Minus Rose – half pair	0.5	\$131
5152.xxx.MRPN	Minus Roses – pair (PINNED)	1.0	\$341

A LA CARTE KNOBS
AND LEVERS

5161 Lever

shown w/ 5046 Rose

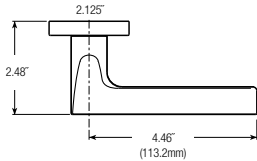


003, 031, 033
044, 050, 055, 056
060, 076, 102, 112,
190, 260, 402

Item #	Description	Wt.	
5161.xxx.MR	Minus Roses – pair	1.2	\$262
5161.xxx.RMR (.LMR)	Right (Left) Minus Rose – half pair	0.6	\$131
5161.xxx.MRPN	Minus Roses – pair (PINNED)	1.2	\$341

5162 Lever

shown w/ 5032 Rose



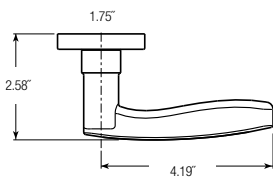
003, 031, 033
044, 050, 055, 056
060, 076, 102, 112,
190, 260, 402

Item #	Description	Wt.	
5162.xxx.MR	Minus Roses – pair	1.4	\$262
5162.xxx.RMR (.LMR)	Right (Left) Minus Rose – half pair	0.7	\$131
5162.xxx.MRPN	Minus Roses – pair (PINNED)	1.4	\$341

NOTE: We recommend you use our 6504.009 - spring assisted adaptor for 2.125" Pre-Bored Doors, found on page 64

5164 Lever

shown w/ 5006 Rose

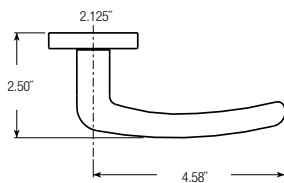


003, 031, 033
044, 050, 055, 056
060, 076, 102, 112,
190, 260, 402

Item #	Description	Wt.	
5164.xxx.MR	Minus Roses – pair	1.3	\$262
5164.xxx.RMR (.LMR)	Right (Left) Minus Rose – half pair	0.7	\$131
5164.xxx.MRPN	Minus Roses – pair (PINNED)	1.3	\$341

5165 Lever

shown w/ 5032 Rose



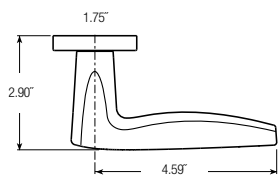
003, 031, 033
044, 050, 055, 056
060, 076, 102, 112,
190, 260, 402

Item #	Description	Wt.	
5165.xxx.MR	Minus Roses – pair	1.2	\$262
5165.xxx.RMR (.LMR)	Right (Left) Minus Rose – half pair	0.6	\$131
5165.xxx.MRPN	Minus Roses – pair (PINNED)	1.2	\$341

A LA CARTE KNOBS
AND LEVERS

5166 Lever

shown w/ 5006 Rose

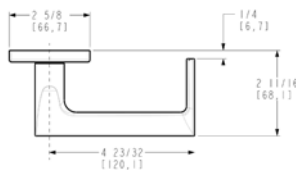


003, 031, 033
044, 050, 055, 056
060, 076, 102, 112,
190, 260, 402

Item #	Description	Wt.	
5166.xxx.MR	Minus Roses – pair	2.0	\$262
5166.xxx.RMR (.LMR)	Right (Left) Minus Rose – half pair	1.0	\$131
5166.xxx.MRPN	Minus Roses – pair (PINNED)	2.0	\$341

5167 Lever

shown w/ 5046 Rose



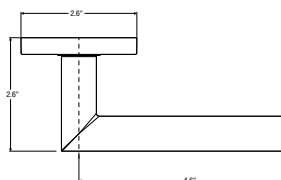
003, 031, 033
044, 050, 055, 056
060, 076, 102, 112,
190, 260, 402

Item #	Description	Wt.	
5167.xxx.MR	Minus Roses – pair		\$290
5167.xxx.RMR (.LMR)	Right (Left) Minus Rose – half pair		\$145
5167.XXX.MRPN	Minus Roses - pair (PINNED)		\$374

NOTE: We recommend you use our 6504.009 - spring assisted adaptor for 2.125" Pre-Bored Doors, found on page 64

5173 Lever

shown w/ 5046 Rose



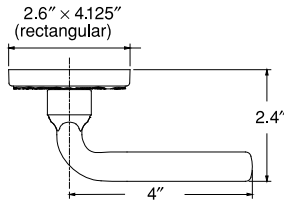
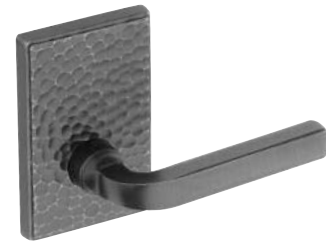
003, 031, 033
044, 050, 055, 056
060, 076, 102, 112,
190, 260, 402

Item #	Description	Wt.	
5173.xxx.MR	Minus Roses – pair	2.0	\$262
5173.xxx.RMR (.LMR)	Right (Left) Minus Rose – half pair	1.0	\$131
5173.xxx.MRPN	Minus Roses – pair (PINNED)		\$341

NOTE: We recommend you use our 6504.009 - spring assisted adaptor for 2.125" Pre-Bored Doors, found on page 64

5190 Lever

shown w/ 5042 Rose



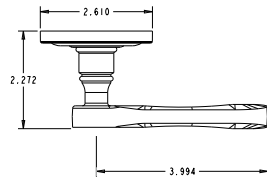
003, 031, 033
044, 050, 055, 056
060, 076, 102, 112,
190, 260, 402

Item #	Description	Wt.	
5190.xxx.MR	Minus Roses – pair	2.3	\$262
5190.xxx.RMR (LMR)	Right (Left) Minus Rose – half pair	1.2	\$131
5190.xxx.MRPN	Minus Roses – pair (PINNED)	2.3	\$341

A LA CARTE KNOBS
AND LEVERS

5445V Classic Lever

shown w/ 5048 Rose



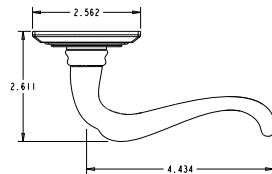
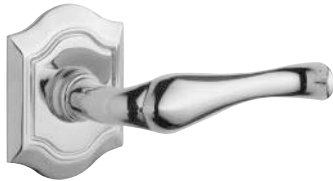
003, 031, 033
044, 050, 055, 056
060, 076, 102, 112,
190, 260, 402

Item #	Description	Wt.	
5445V.xxx.MR	Minus Roses – pair	1.5	\$210
5445V.xxx.RMR (LMR)	Minus Roses – half pair	.75	\$105
5445V.xxx.MRPN	Minus Roses – pair (PINNED)		\$290

NOTE: We recommend you use our 6504.009 - spring assisted adaptor for 2.125" Pre-Bored Doors, found on page 64

5447V Bethpage® Lever

shown w/ R027 Bethpage Rose

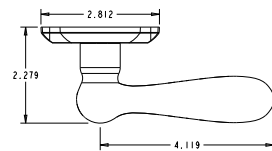


003, 031, 033
044, 050, 055, 056
060, 076, 102, 112,
190, 260, 402

Item #	Description	Wt.	
5447V.xxx.MR	Minus Roses – pair	1.5	\$210
5447V.xxx.RMR (LMR)	Minus Roses – half pair	.75	\$105
5447V.xxx.MRPN	Minus Roses – pair (PINNED)		\$290

5452V Lever

shown w/ R030 Arch Rose

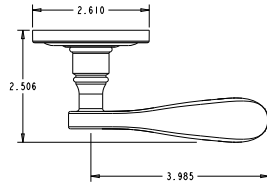


003, 031, 033
044, 050, 055, 056
060, 076, 102, 112,
190, 260, 402

Item #	Description	Wt.	
5452V.xxx.MR	Minus Roses – pair	1.5	\$210
5452V.xxx.RMR (LMR)	Minus Roses – half pair	.75	\$105
5452V.xxx.MRPN	Minus Roses – pair (PINNED)		\$290

5455V Wave Lever

shown w/ 5048 Rose



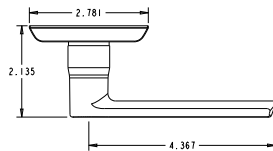
003, 031, 033
044, 050, 055, 056
060, 076, 102, 112,
190, 260, 402

Item #	Description	Wt.	
5455V.xxx.MR	Minus Roses – pair	1.5	\$210
5455V.xxx.RMR (.LMR)	Minus Roses – half pair	.75	\$105
5455V.xxx.MRPN	Minus Roses – pair (PINNED)		\$290

A LA CARTE KNOBS
AND LEVERS

5485V Soho® Lever

shown w/ R026 Rose



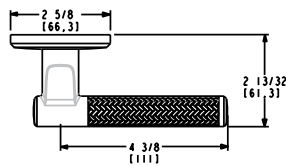
003, 031, 033
044, 050, 055, 056
060, 076, 102, 112,
190, 260, 402

Item #	Description	Wt.	
5485V.xxx.MR	Minus Roses – pair	1.5	\$210
5485V.xxx.RMR (.LMR)	Minus Roses – half pair	.75	\$105
5485V.xxx.MRPN	Minus Roses – pair (PINNED)		\$290

NOTE: We recommend you use our 6504.009 - spring assisted adaptor for 2.125" Pre-Bored Doors, found on page 64

L015 Lever

shown w/ R016 Rose

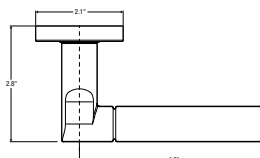


003, 031, 033
044, 050, 055, 056
060, 076, 102, 112,
190, 260, 402

Item #	Description	Wt.	
L015.xxx.MR	Minus Roses – pair	1.65	\$290
L015.xxx.RMR (.LMR)	Right (Left) Minus Rose – half pair	.78	\$145
L015.xxx.MRPN	Minus Roses - pair (PINNED)	1.65	\$377

L021 Lever

shown w/ 5056 Rose

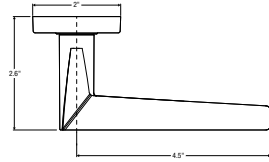


003, 031, 033
044, 050, 055, 056
060, 076, 102, 112,
190, 260, 402

Item #	Description	Wt.	
L021.xxx.MR	Minus Roses – pair	1.7	\$262
L021.xxx.RMR (.LMR)	Right (Left) Minus Rose – half pair	.9	\$131
L021.xxx.MRPN	Minus Roses - pair (PINNED)		\$341

L022 Lever

shown w/ 5056 Rose



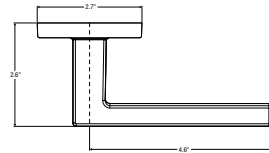
003, 031, 033
044, 050, 055, 056
060, 076, 102, 112,
190, 260, 402

Item #	Description	Wt.	
L022.xxx.MR	Minus Roses – pair	1.2	\$262
L022.xxx.RMR (.LMR)	Right (Left) Minus Rose – half pair	.65	\$131
L022.xxx.MRPN	Minus Roses – pair (PINNED)		\$341

A LA CARTE KNOBS
AND LEVERS

L023 Lever

shown w/ R017 Rose



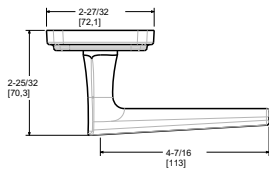
003, 031, 033
044, 050, 055, 056
060, 076, 102, 112,
190, 260, 402

Item #	Description	Wt.	
L023.xxx.MR	Minus Roses – pair	2.0	\$290
L023.xxx.RMR (.LMR)	Right (Left) Minus Rose – half pair	1.05	\$145
L023.xxx.MRPN	Minus Roses – pair (PINNED)		\$341

NOTE: We recommend you use our 6504.009 - spring assisted adaptor for 2.125" Pre-Bored Doors, found on page 64

L024 Lever

shown w/ R046 Rose

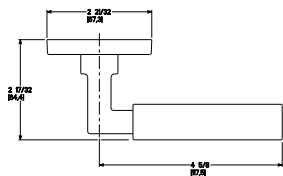


003, 031, 033
044, 050, 055, 056
060, 076, 102, 112,
190, 260, 402

Item #	Description	Wt.	
L024.xxx.MR	Minus Roses – pair	1.5	\$290
L024.xxx.RMR (.LMR)	Right (Left) Minus Rose – half pair	.75	\$145
L024.xxx.MRPN	Minus Roses – pair (PINNED)		\$241

L029 Gramercy Lever

shown w/ R017 Rose



003, 031, 033
044, 050, 055, 056
060, 076, 102, 112,
190, 260, 402

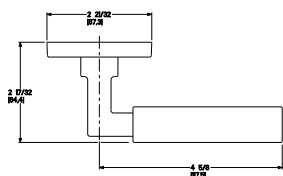
Item #	Description	Wt.	
L029.xxx.MR	Minus Roses – pair	1.2	\$290
L029.xxx.RMR (LMR)	Right (Left) Minus Rose – half pair	.6	\$131
L029.xxx.MRPN	Minus Roses – pair (PINNED)	1.2	\$374

NOTE: We recommend you use our 6504.009 - spring assisted adaptor for 2.125" Pre-Bored Doors, found on page 64

A LA CARTE KNOBS
AND LEVERS

L029 Gramercy Mixed Metal Lever

shown w/ R017 Rose in M07 Finish



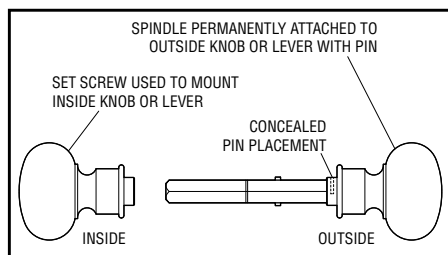
M01, M02, M03
M04, M05, M05
M06, M07, M08
M09, M10

Item #	Description	Wt.	
L029.xxx.MR	Minus Roses – pair	1.2	\$305
L029.xxx.RMR (LMR)	Right (Left) Minus Rose – half pair	.6	\$138
L029.xxx.MRPN	Minus Roses – pair (PINNED)		\$393

NOTE: We recommend you use our 6504.009 - spring assisted adaptor for 2.125" Pre-Bored Doors, found on page 64

Knob/Lever Pinning:

Definition: Pinning is a permanent attachment of the outside knob or lever to the spindle. Outside levers typically are pinned for added security in public commercial settings.



All Baldwin levers meet ADA standards.

Pinning Charge for Estate passage or privacy sets (pair)	\$72
Included with .MRPN cost	

Order

1. Knobs or Levers & Finish

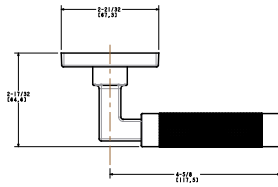
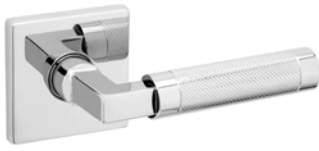
Specify for Reference Only:

2. Door thickness
3. Trim to be used
4. Handing of the outside lever, if applicable
5. Spindle (included)

For pinning orders we recommend calling Customer Service

L030 Gramercy Knurled Lever

shown w/ R017 Rose



003, 031, 033
044, 050, 055, 056
060, 076, 102, 112,
190, 260, 402

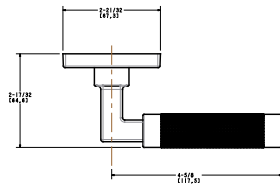
Item #	Description	Wt.	
L030.xxx.MR	Minus Roses - pair	1.7	\$305
L030.xxx.RMR (.LMR)	Right (Left) Minus Rose - half pair	0.85	\$138
L030.xxx.MRPN	Minus Roses - pair (PINNED)		\$393

NOTE: We recommend you use our 6504.009 - spring assisted adaptor for 2.125" Pre-Bored Doors, found on page 64

A LA CARTE KNOBS
AND LEVERS

L030 Gramercy Knurled Mixed Metal Lever

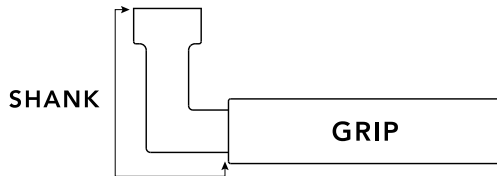
shown w/ R017 Rose in M02 Finish



M01, M02, M03
M04, M05, M05
M06, M07, M08
M09, M10

Item #	Description	Wt.	
L030.xxx.MR	Minus Roses - pair	1.7	\$320
L030.xxx.RMR (.LMR)	Right (Left) Minus Rose - half pair	0.85	\$145
L030.xxx.MRPN	Minus Roses - pair (PINNED)		\$413

NOTE: We recommend you use our 6504.009 - spring assisted adaptor for 2.125" Pre-Bored Doors, found on page 64



Mixed Metal Levers

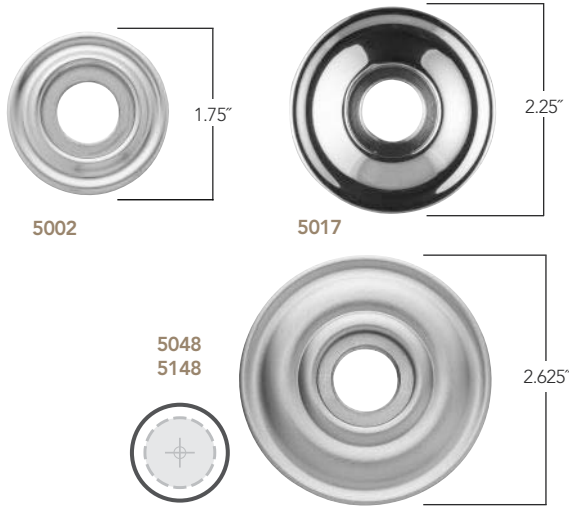
Finish Code	Mixed Metal Finish
M01	055 Shank x 190 Grip
M02	190 Shank x 055 Grip
M03	044 Shank x 190 Grip
M04	190 Shank x 044 Grip
M05	056 Shank x 190 Grip
M06	190 Shank x 056 Grip
M07	190 Shank x 031 Grip
M08	031 Shank x 190 Grip
M09	056 Shank x 055 Grip
M10	055 Shank x 056 Grip



This symbol signifies that the rose covers a 2.125" hole on a pre-bored door.

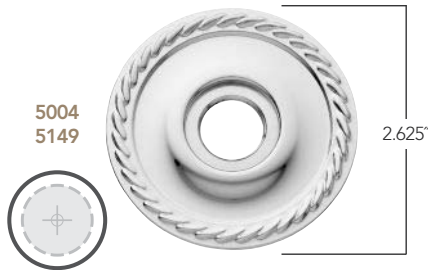
003, 031, 033
044, 050, 055, 056
060, 076, 102, 112,
190, 260, 402

5002, 5017, 5048, 5148 Rosettes



Item #	Description	Wt.	
5002.xxx	1.75" Passage – pair	0.2	\$84
5002.xxx.FD	1.75" Dummy – pair	0.2	\$84
5002.xxx.I	1.75" Passage – half pair	0.1	\$42
5002.xxx.IDM	1.75" Dummy – half pair	0.1	\$42
5017.xxx	2.25" Passage – pair	0.4	\$90
5017.xxx.FD	2.25" Dummy – pair	0.4	\$90
5017.xxx.PV	2.25" Privacy - pair	0.4	\$90
5017.xxx.I	2.25" Passage – half pair	0.2	\$46
5017.xxx.IDM	2.25" Dummy – half pair	0.2	\$46
5017.xxx.IPV	2.25" Privacy – half pair	0.2	\$46
5048.xxx	2.625" Passage – pair	0.8	\$100
5048.xxx.FD	2.625" Dummy – pair	0.8	\$100
5048.xxx.I	2.625" Passage – half pair	0.4	\$54
5048.xxx.IDM	2.625" Dummy – half pair	0.4	\$54
5148.xxx	2.625" Privacy – pair*	0.8	\$100
5148.xxx.I	2.625" Privacy – half pair*	0.4	\$54

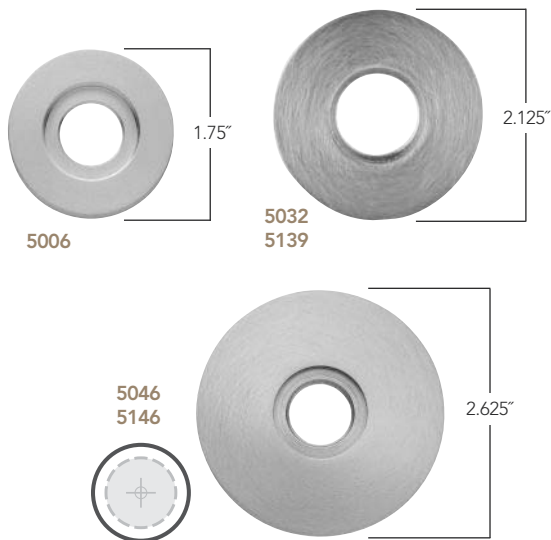
5004, 5149 Rosettes



003, 031, 033
044, 050, 055, 056
060, 076, 102, 112,
190, 260, 402

Item #	Description	Wt.	
5004.xxx	2.625" Passage – pair	0.8	\$100
5004.xxx.FD	2.625" Dummy – pair	0.8	\$100
5004.xxx.I	2.625" Passage – half pair	0.4	\$54
5004.xxx.IDM	2.625" Dummy – half pair	0.4	\$54
5149.xxx	2.625" Privacy – pair*	0.8	\$100
5149.xxx.I	2.625" Privacy – half pair*	0.4	\$54

5006, 5032, 5139, 5046, 5146 Rosettes

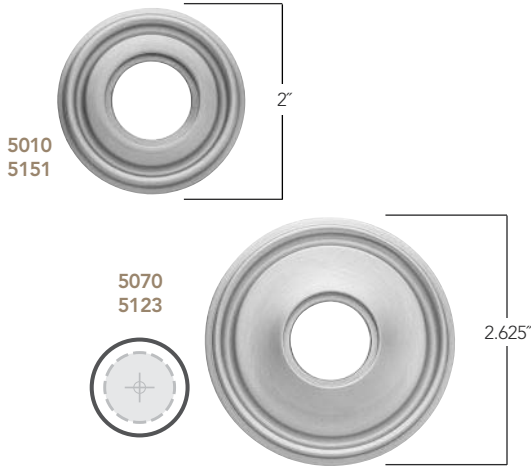


003, 031, 033
044, 050, 055, 056
060, 076, 102, 112,
190, 260, 402

Item #	Description	Wt.	
5006.xxx	1.75" Passage – pair	0.3	\$84
5006.xxx.FD	1.75" Dummy – pair	0.3	\$84
5006.xxx.I	1.75" Passage – half pair	0.15	\$42
5006.xxx.IDM	1.75" Passage – half pair	0.15	\$42
5032.xxx	2.125" Passage – pair	0.4	\$90
5032.xxx.FD	2.125" Dummy – pair	0.4	\$90
5032.xxx.I	2.125" Passage – half pair	0.2	\$46
5032.xxx.IDM	2.125" Dummy – half pair	0.2	\$46
5139.xxx	2.125" Privacy – pair	0.4	\$90
5139.xxx.I	2.125" Privacy – half pair	0.2	\$46
5046.xxx	2.625" Passage – pair	0.8	\$100
5046.xxx.FD	2.625" Dummy – pair	0.8	\$100
5046.xxx.I	2.625" Passage – half pair	0.4	\$54
5046.xxx.IDM	2.625" Dummy – half pair	0.4	\$54
5146.xxx	2.625" Privacy – pair*	0.8	\$100
5146.xxx.I	2.625" Privacy – half pair*	0.4	\$54

*2.625" diameter or larger privacy roses do NOT include 5097 Active backplates.

5010, 5151, 5070, 5123 Rosettes



003, 031, 033
044, 050, 055, 056
060, 076, 102, 112,
190, 260, 402

Item #	Description	Wt.	
5010.xxx	2" Passage – pair	0.4	\$94
5010.xxx.FD	2" Dummy – pair	0.4	\$94
5010.xxx.I	2" Passage – half pair	0.2	\$48
5010.xxx.IDM	2" Dummy – half pair	0.2	\$48
5151.xxx	2" Privacy – pair	0.4	\$94
5151.xxx.I	2" Privacy – half pair	0.2	\$48
5070.xxx	2.625" Passage – pair	0.8	\$100
5070.xxx.FD	2.625" Dummy – pair	0.8	\$100
5070.xxx.I	2.625" Passage – half pair	0.4	\$54
5070.xxx.IDM	2.625" Dummy – half pair	0.4	\$54
5123.xxx	2.625" Privacy – pair*	0.8	\$100
5123.xxx.I	2.625" Privacy – half pair*	0.4	\$54

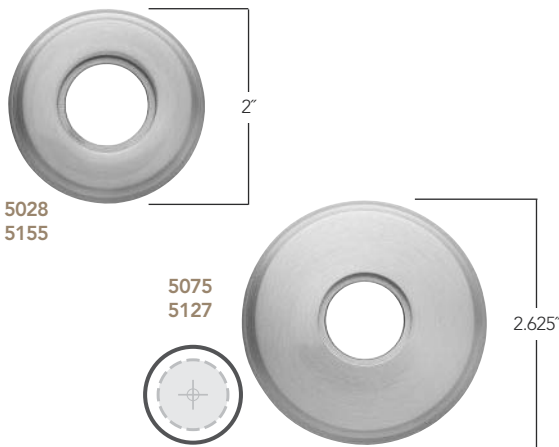
5021, 5145 Rosettes



003, 031, 033
044, 050, 055, 056
060, 076, 102, 112,
190, 260, 402

Item #	Description	Wt.	
5021.xxx	2.625" Passage – pair	0.8	\$100
5021.xxx.FD	2.625" Dummy – pair	0.8	\$100
5021.xxx.I	2.625" Passage – half pair	0.4	\$54
5021.xxx.IDM	2.625" Dummy – half pair	0.4	\$54
5145.xxx	2.625" Privacy – pair*	0.8	\$100
5145.xxx.I	2.625" Privacy – half pair*	0.4	\$54

5028, 5075, 5127, 5155 Rosettes

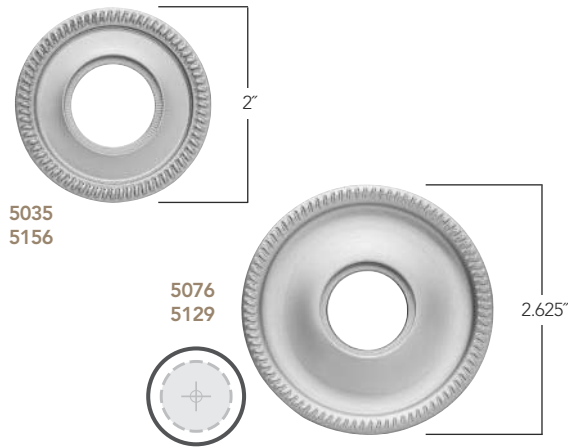


003, 031, 033
044, 050, 055, 056
060, 076, 102, 112,
190, 260, 402

Item #	Description	Wt.	
5028.xxx	2" Passage – pair	0.4	\$94
5028.xxx.FD	2" Dummy – pair	0.4	\$94
5028.xxx.I	2" Passage – half pair	0.2	\$48
5028.xxx.IDM	2" Dummy – half pair	0.2	\$48
5155.xxx	2" Privacy – pair	0.4	\$94
5155.xxx.I	2" Privacy – half pair	0.2	\$48
5075.xxx	2.625" Passage – pair	0.8	\$100
5075.xxx.FD	2.625" Dummy – pair	0.8	\$100
5075.xxx.I	2.625" Passage – half pair	0.4	\$54
5075.xxx.IDM	2.625" Dummy – half pair	0.4	\$54
5127.xxx	2.625" Privacy – pair*	0.8	\$100
5127.xxx.I	2.625" Privacy – half pair*	0.4	\$54

*2.625" diameter or larger privacy roses do NOT include 5097 Active backplates.

5035, 5076, 5129, 5156 Rosettes

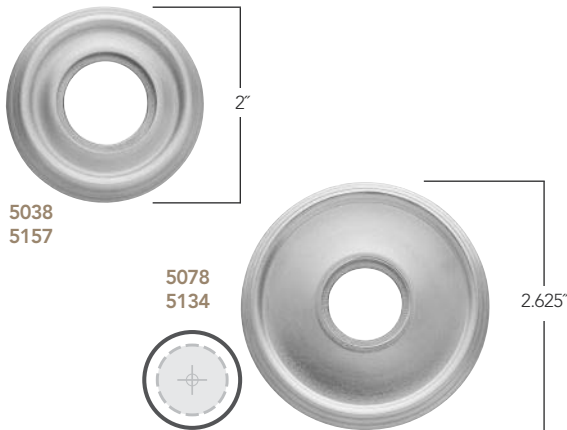


003, 031, 033
044, 050, 055, 056
060, 076, 102, 112
190, 260, 402

Item #	Description	Wt.	
5035.xxx	2" Passage – pair	0.4	\$94
5035.xxx.FD	2" Dummy – pair	0.4	\$94
5035.xxx.I	2" Passage – half pair	0.2	\$48
5035.xxx.IDM	2" Dummy – half pair	0.2	\$48
5156.xxx	2" Privacy – pair	0.4	\$94
5156.xxx.I	2" Privacy – half pair	0.2	\$48
5076.xxx	2.625" Passage – pair	0.8	\$100
5076.xxx.FD	2.625" Dummy – pair	0.8	\$100
5076.xxx.I	2.625" Passage – half pair	0.4	\$54
5076.xxx.IDM	2.625" Dummy – half pair	0.4	\$54
5129.xxx	2.625" Privacy – pair*	0.8	\$100
5129.xxx.I	2.625" Privacy – half pair*	0.4	\$54

A LA CARTE KNOBS
AND LEVERS

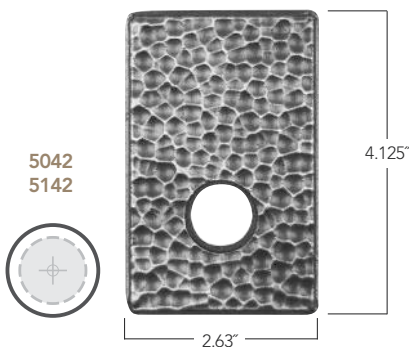
5038, 5157, 5078, 5134 Rosettes



003, 031, 033
044, 050, 055, 056
060, 076, 102, 112,
190, 260, 402

Item #	Description	Wt.	
5038.xxx	2" Passage – pair	0.4	\$94
5038.xxx.FD	2" Dummy – pair	0.4	\$94
5038.xxx.I	2" Passage – half pair	0.2	\$48
5038.xxx.IDM	2" Dummy – half pair	0.2	\$48
5157.xxx	2" Privacy – pair	0.4	\$94
5157.xxx.I	2" Privacy – half pair	0.2	\$48
5078.xxx	2.625" Passage – pair	0.8	\$100
5078.xxx.FD	2.625" Dummy – pair	0.8	\$100
5078.xxx.I	2.625" Passage – half pair	0.4	\$54
5078.xxx.IDM	2.625" Dummy – half pair	0.4	\$54
5134.xxx	2.625" Privacy – pair*	0.8	\$100
5134.xxx.I	2.625" Privacy – half pair*	0.4	\$54

5042, 5142 Rosettes

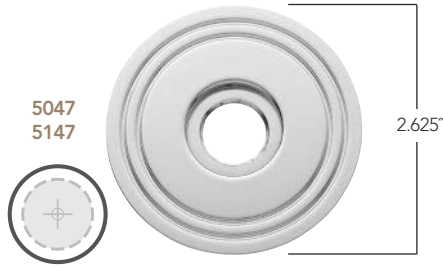


003, 031, 033
044, 050, 055, 056
060, 076, 102, 112,
190, 260, 402

Item #	Description	Wt.	
5042.xxx	2.63" x 4.125" Passage – pair	1.0	\$150
5042.xxx.FD	2.63" x 4.125" Dummy – pair	1.0	\$150
5042.xxx.I	2.63" x 4.125" Passage – half pair	0.5	\$77
5042.xxx.IDM	2.63" x 4.125" Dummy – half pair	0.5	\$77
5142.xxx	2.63" x 4.125" Privacy – pair*	1.0	\$150
5142.xxx.R (L)	2.63" x 4.125" Privacy – half pair*	0.5	\$77

*2.625" diameter or larger privacy roses do NOT include 5097 Active backplates.

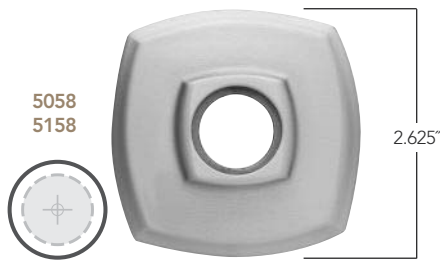
5047, 5147 Rosettes



003, 031, 033
044, 050, 055, 056
060, 076, 102, 112,
190, 260, 402

Item #	Description	Wt.	
5047.xxx	2.625" Passage – pair	0.8	\$100
5047.xxx.FD	2.625" Dummy – pair	0.8	\$100
5047.xxx.l	2.625" Passage – half pair	0.4	\$54
5047.xxx.IDM	2.625" Dummy – half pair	0.4	\$54
5147.xxx	2.625" Privacy – pair*	0.8	\$100
5147.xxx.l	2.625" Privacy – half pair*	0.4	\$54

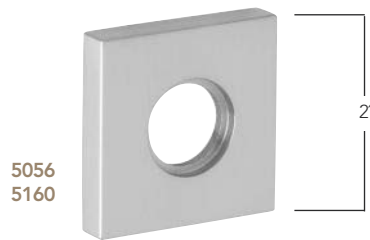
5058, 5158 Rosettes



003, 031, 033
044, 050, 055, 056
060, 076, 102, 112,
190, 260, 402

Item #	Description	Wt.	
5058.xxx	2.625" Passage – pair	0.8	\$100
5058.xxx.FD	2.625" Dummy – pair	0.8	\$100
5058.xxx.l	2.625" Passage – half pair	0.4	\$54
5058.xxx.IDM	2.625" Dummy – half pair	0.4	\$54
5158.xxx	2.625" Privacy – pair*	0.8	\$100
5158.xxx.l	2.625" Privacy – half pair*	0.4	\$54

5056, 5160 Rosettes

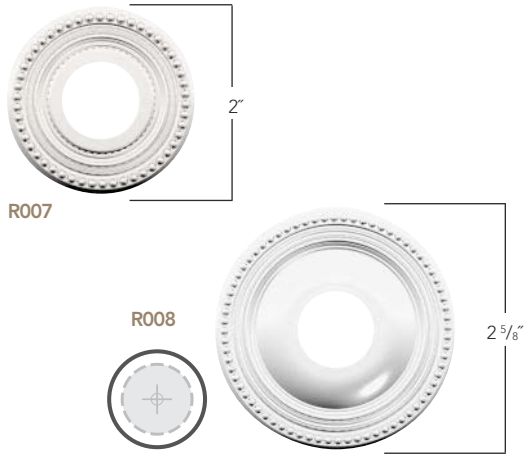


003, 031, 033
044, 050, 055, 056
060, 076, 102, 112,
190, 260, 402

Item #	Description	Wt.	
5056.xxx	2" Passage – pair	0.8	\$84
5056.xxx.FD	2" Dummy – pair	0.8	\$84
5056.xxx.l	2" Passage – half pair	0.4	\$42
5056.xxx.IDM	2" Dummy – half pair	0.4	\$42
5160.xxx	2" Privacy – pair	0.8	\$84
5160.xxx.l	2" Privacy – half pair	0.4	\$42

*2.625" diameter or larger privacy roses do NOT include 5097 Active backplates.

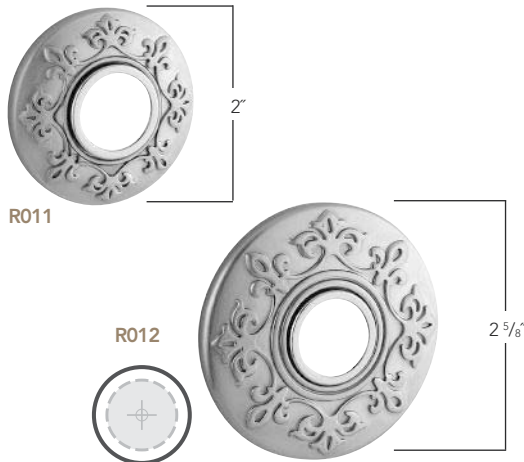
R007, R008 Rosettes



003, 031, 033
044, 050, 055, 056
060, 076, 102, 112,
190, 260, 402

Item #	Description	Wt.	
R007.xxx.PS	2" Passage – pair	0.5	\$139
R007.xxx.FD	2" Dummy – pair	0.5	\$139
R007.xxx.PV	2" Privacy – pair	0.5	\$139
R007.xxx.IPS	2" Passage – half pair	0.3	\$70
R007.xxx.IDM	2" Dummy – half pair	0.3	\$70
R007.xxx.IPV	2" Privacy – half pair	0.3	\$70
R008.xxx.PS	2 5/8" Passage – pair	0.5	\$150
R008.xxx.FD	2 5/8" Dummy – pair	0.5	\$150
R008.xxx.PV	2 5/8" Privacy – pair*	0.5	\$150
R008.xxx.IPS	2 5/8" Passage – half pair	0.3	\$77
R008.xxx.IDM	2 5/8" Dummy – half pair	0.3	\$77
R008.xxx.IPV	2 5/8" Privacy – half pair*	0.3	\$77

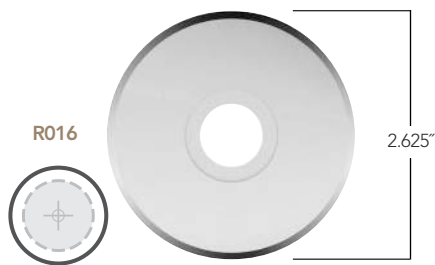
R011, R012 Rosettes



003, 031, 033
044, 050, 055, 056
060, 076, 102, 112,
190, 260, 402

Item #	Description	Wt.	
R011.xxx.PS	2" Passage – pair	0.5	\$139
R011.xxx.FD	2" Dummy – pair	0.5	\$139
R011.xxx.PV	2" Privacy – pair	0.5	\$139
R011.xxx.IPS	2" Passage – half pair	0.3	\$70
R011.xxx.IDM	2" Dummy – half pair	0.3	\$70
R011.xxx.IPV	2" Privacy – half pair	0.3	\$70
R012.xxx.PS	2 5/8" Passage – pair	0.5	\$150
R012.xxx.FD	2 5/8" Dummy – pair	0.5	\$150
R012.xxx.PV	2 5/8" Privacy – pair*	0.5	\$150
R012.xxx.IPS	2 5/8" Passage – half pair	0.3	\$77
R012.xxx.IDM	2 5/8" Dummy – half pair	0.3	\$77
R012.xxx.IPV	2 5/8" Privacy – half pair*	0.3	\$77

R016 Rosette



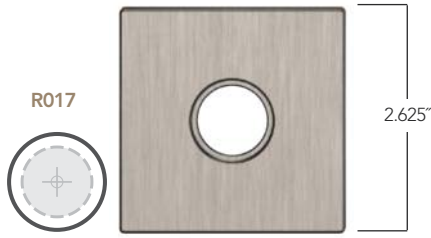
003, 031, 033
044, 050, 055, 056
060, 076, 102, 112,
190, 260, 402

Item #	Description	Wt.	
R016.xxx.PS	2.625" Passage – pair	0.8	\$100
R016.xxx.FD	2.625" Dummy – pair	0.8	\$100
R016.xxx.IPS	2.625" Passage – half pair	0.4	\$54
R016.xxx.IDM	2.625" Dummy – half pair	0.4	\$54
R016.xxx.PV	2.625" Privacy – pair	0.8	\$100
R016.xxx.IPV	2.625" Privacy – half pair	0.4	\$54

*2.625" diameter or larger privacy roses do NOT include 5097 Active backplates.

R017 Rosette

003, 031, 033
044, 050, 055, 056
060, 076, 102, 112,
190, 260, 402



Item #	Description	Wt.	
R017.xxx.PS	2.625" Passage – pair	0.8	\$100
R017.xxx.FD	2.625" Dummy – pair	0.8	\$100
R017.xxx.IPS	2.625" Passage – half pair	0.4	\$54
R017.xxx.IDM	2.625" Dummy – half pair	0.4	\$54
R017.xxx.PV	2.625" Privacy – pair	0.8	\$100
R017.xxx.IPV	2.625" Privacy – half pair	0.4	\$54

R026 Soho Rosette

003, 031, 033
044, 050, 055, 056
060, 076, 102, 112,
190, 260, 402

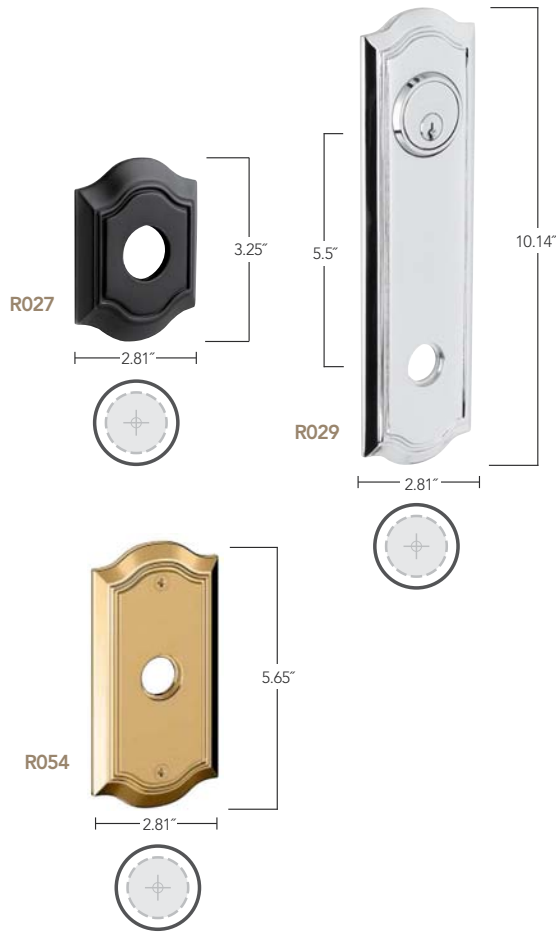


Item #	Description	Wt.	
R026.xxx.PS	3" Soho Passage - pair	0.8	\$100
R026.xxx.FD	3" Soho Dummy - pair	0.8	\$100
R026.xxx.IPS	3" Soho Passage - half pair	0.4	\$54
R026.xxx.IDM	3" Soho Dummy - half pair	0.4	\$54
R026.xxx.PV	3" Soho Privacy - pair	0.8	\$100
R026.xxx.IPV	3" Soho Privacy - half pair	0.4	\$54

*2.625" diameter or larger privacy roses do NOT include 5097 Active backplates.

R027, R029, R054
Bethpage Rosettes

003, 031, 033
044, 050, 055, 056
060, 076, 102, 112,
190, 260, 402



Item #	Description	
R027.xxx.PS	3.25" Bethpage Passage - pair	\$100
R027.xxx.FD	3.25" Bethpage Dummy - pair	\$100
R027.xxx.IPS	3.25" Bethpage Passage - half pair	\$54
R027.xxx.IDM	3.25" Bethpage Dummy - half pair	\$54
R027.xxx.PV	3.25" Bethpage Privacy - pair	\$100
R027.xxx.IPV	3.25" Bethpage Privacy - half pair	\$54
R029.xxx.PS	10.14" Bethpage Passage - pair	\$328
R029.xxx.FD	10.14" Bethpage Dummy - pair	\$328
R029.xxx.IPS	10.14" Bethpage Passage - half pair	\$164
R029.xxx.IDM	10.14" Bethpage Dummy - half pair	\$164
R029.xxx.PV	10.14" Bethpage Privacy - pair	\$328
R029.xxx.RPV (LPV)	10.14" Bethpage Privacy - half pair	\$164
R029.xxx.ENTR	10.14" Bethpage Entry Kit - pair	\$554
R029.xxx.EGRK	10.14" Bethpage Entry Egress Kit - Knob Adaptor	\$670
R029.xxx.EGRL	10.14" Bethpage Entry Egress Kit - Lever Adaptor	\$670
R054.xxx.PS	5.65" Bethpage Passage - pair	\$162
R054.xxx.FD	5.65" Bethpage Dummy - pair	\$162
R054.xxx.IPS	5.65" Bethpage Passage - half pair	\$81
R054.xxx.IDM	5.65" Bethpage Dummy - half pair	\$81
R054.xxx.PV	5.65" Bethpage Privacy - pair	\$162
R054.xxx.IPV	5.65" Bethpage Privacy - half pair	\$81

Entry/Non-Egress: Supports 1 3/4" doors. Includes cylinder and deadbolt latch. Must order desired knobs or levers and knob/lever passage latch along with 6503.009 or 6504.009 Adaptor separately. For a 2-1/4" thick door, you must order the 8098.000.TP03 thick door kit for the cylinder and a 5" solid spindle 0513.004.

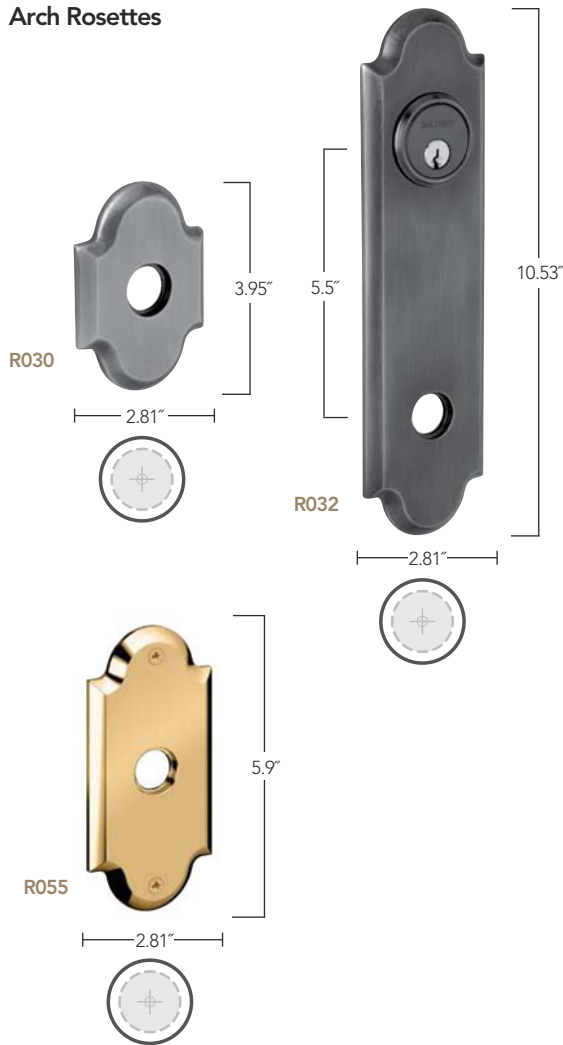
Egress: Supports 1 3/4" doors. Includes cylinder, spindle, deadbolt latch, knob/lever latch, and egress cartridge. Must order desired knobs or levers separately. Spindle included with Egress kit will work from 1.75" to 2.25" Thick Doors. Must order 5399.xxx.C Thick Door Kit for doors 2" to 2.25" thick. Interior Egress roses do not match Interior Non-Egress or Dummy roses.

Note: All 10 inch rose interiors and exteriors have exposed screws except the Entry/Entry Egress kits, which have exposed interior screws only.

Rose covers 2.125" hole on pre-bored door..

A LA CARTE KNOBS
AND LEVERS

R030, R032, R055
Arch Rosettes



003, 031, 033
044, 050, 055, 056
060, 076, 102, 112,
190, 260, 402

Item #	Description	
R030.xxx.PS	3.95" Arch Passage - pair	\$100
R030.xxx.FD	3.95" Arch Dummy - pair	\$100
R030.xxx.IPS	3.95" Arch Passage - half pair	\$54
R030.xxx.IDM	3.95" Arch Dummy - half pair	\$54
R030.xxx.PV	3.95" Arch Privacy - pair	\$100
R030.xxx.IPV	3.95" Arch Privacy - half pair	\$54
R032.xxx.PS	10.53" Arch Passage - pair	\$328
R032.xxx.FD	10.53" Arch Dummy - pair	\$328
R032.xxx.IPS	10.53" Arch Passage - half pair	\$164
R032.xxx.IDM	10.53" Arch Dummy - half pair	\$164
R032.xxx.PV	10.53" Arch Privacy - pair	\$328
R032.xxx.RPV (.LPV)	10.53" Arch Privacy - half pair	\$164
R032.xxx.ENTR	10.53" Arch Entry Kit - pair	\$554
R032.xxx.EGRK	11.2" Arch Entry Egress Kit - Knob Adaptor	\$670
R032.xxx.EGRL	11.2" Arch Entry Egress Kit - Lever Adaptor	\$670
R055.xxx.PS	5.9" Arch Passage - pair	\$162
R055.xxx.FD	5.9" Arch Dummy - pair	\$162
R055.xxx.IPS	5.9" Arch Passage - half pair	\$81
R055.xxx.IDM	5.9" Arch Dummy - half pair	\$81
R055.xxx.PV	5.9" Arch Privacy - pair	\$162
R055.xxx.IPV	5.9" Arch Privacy - half pair	\$81

Entry/Non-Egress: Supports 1 3/4" doors. Includes cylinder and deadbolt latch. Must order desired knobs or levers and knob/lever passage latch along with 6503.009 or 6504.009 Adaptor separately. For a 2-1/4" thick door, you must order the 8098.000.TP03 thick door kit for the cylinder and a 5" solid spindle 0513.004.

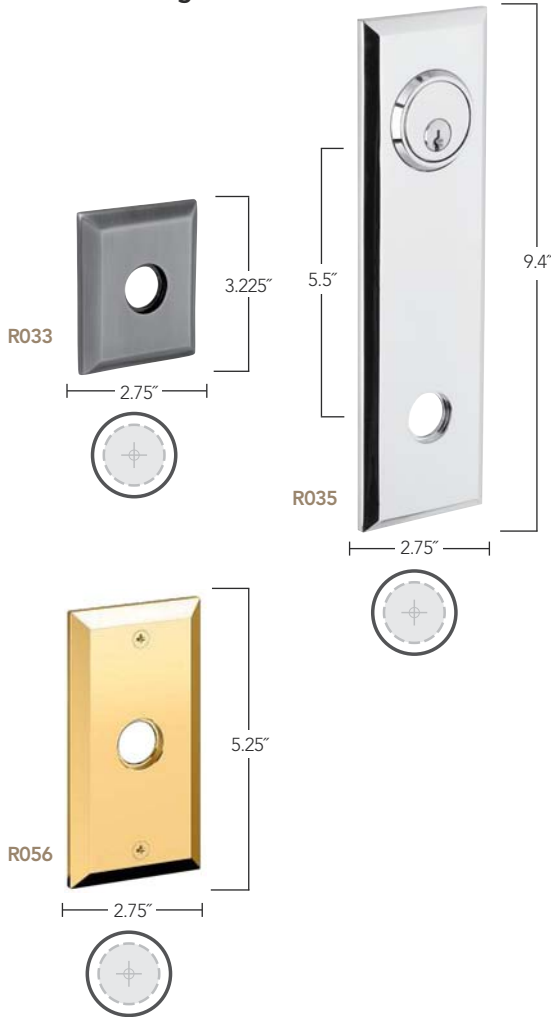
Egress: Supports 1 3/4" doors. Includes cylinder, spindle, deadbolt latch, knob/lever latch, and egress cartridge. Must order desired knobs or levers separately. Spindle included with Egress kit will work from 1.75" to 2.25" Thick Doors. Must order 5399.xxx.C Thick Door Kit for doors 2" to 2.25" thick. Interior Egress roses do not match Interior Non-Egress or Dummy roses.

Note: All 10 inch rose interiors and exteriors have exposed screws except the Entry/Entry Egress kits, which have exposed interior screws only.

Rose covers 2.125" hole on pre-bored door.

*2.625" diameter or larger privacy roses do NOT include 5097 Active backplates.

R033, R035, R056
Beveled Rectangle



003, 031, 033
044, 050, 055, 056
060, 076, 102, 112,
190, 260, 402

Item #	Description	
R033.xxx.PS	3.225" Rectangle Passage - pair	\$100
R033.xxx.FD	3.225" Rectangle Dummy - pair	\$100
R033.xxx.IPS	3.225" Rectangle Passage - half pair	\$54
R033.xxx.IDM	3.225" Rectangle Dummy - half pair	\$54
R033.xxx.PV	3.225" Rectangle Privacy - pair	\$100
R033.xxx.IPV	3.225" Rectangle Privacy - half pair	\$54
R035.xxx.PS	9.4" Rectangle Passage - pair	\$328
R035.xxx.FD	9.4" Rectangle Dummy - pair	\$328
R035.xxx.IPS	9.4" Rectangle Passage - half pair	\$164
R035.xxx.IDM	9.4" Rectangle Dummy - half pair	\$164
R035.xxx.PV	9.4" Rectangle Privacy - pair	\$328
R035.xxx.RPV (.LPV)	9.4" Rectangle Privacy - half pair	\$164
R035.xxx.ENTR	9.4" Rectangle Entry Kit - pair	\$554
R035.xxx.EGRK	9.4" Rectangle Entry Egress Kit - Knob Adaptor	\$670
R035.xxx.EGRL	9.4" Rectangle Entry Egress Kit - Lever Adaptor	\$670
R056.xxx.PS	5.25" Rectangle Passage - pair	\$162
R056.xxx.FD	5.25" Rectangle Dummy - pair	\$162
R056.xxx.IPS	5.25" Rectangle Passage - half pair	\$81
R056.xxx.IDM	5.25" Rectangle Dummy - half pair	\$81
R056.xxx.PV	5.25" Rectangle Privacy - pair	\$162
R056.xxx.IPV	5.25" Rectangle Privacy - half pair	\$81

Entry/Non-Egress: Supports 1 3/4" doors. Includes cylinder and deadbolt latch. Must order desired knobs or levers and knob/lever passage latch along with 6503.009 or 6504.009 Adaptor separately. For a 2-1/4" thick door, you must order the 8098.000.TP03 thick door kit for the cylinder and a 5" solid spindle 0513.004.

Egress: Supports 1 3/4" doors. Includes cylinder, spindle, deadbolt latch, knob/lever latch, and egress cartridge. Must order desired knobs or levers separately. Spindle included with Egress kit will work from 1.75" to 2.25" Thick Doors. Must order 5399.xxx.C Thick Door Kit for doors 2" to 2.25" thick. Interior Egress roses do not match Interior Non-Egress or Dummy roses.

Note: All 10 inch rose interiors and exteriors have exposed screws except the Entry/Entry Egress kits, which have exposed interior screws only.

Rose covers 2.125" hole on pre-bored door..

A LA CARTE KNOBS
AND LEVERS

*2.625" diameter or larger privacy roses do NOT include 5097 Active backplates.m

R046 Square Rosettes



R046 covers most singular tubular cut out.

003, 031, 033
044, 050, 055, 056
060, 076, 102, 112,
190, 260, 402

Item #	Description	
R046.xxx.PS	2.625" Mid-Century Passage - pair	\$162
R046.xxx.FD	2.625" Mid-Century Dummy - pair	\$162
R046.xxx.IPS	2.625" Mid-Century Passage - half pair	\$81
R046.xxx.IDM	2.625" Mid-Century Dummy - half pair	\$81
R046.xxx.PV	2.625" Mid-Century Privacy - pair	\$162
R046.xxx.IPV	2.625" Mid-Century Privacy - half pair	\$81

Entry/Non-Egress: Supports 1 3/4" doors. Includes cylinder and deadbolt latch. Must order desired knobs or levers and knob/lever passage latch, 4.5" straight spindle along with 6503.009 or 6504.009 Adaptor separately.

Egress: Supports 1 3/4" doors. Includes cylinder, spindle, deadbolt latch, knob/lever latch, and egress cartridge. Must order desired knobs or levers separately. Spindle included with Egress kit will work from 1.75" to 2.25" Thick Doors. Must order 5399.xxx.C Thick Door Kit for doors 2" to 2.25" thick and a 5" solid spindle 0513.004.. Interior Egress roses do not match Interior Non-Egress or Dummy roses.

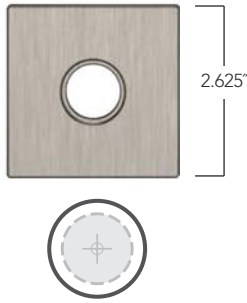
*2.625" diameter or larger privacy roses do NOT include 5097 Active backplates.

**Rose covers 2.125" hole on pre-bored door.

R017, R048, R052 Contemporary Rosettes

003, 031, 033
044, 050, 055, 056
060, 076, 102, 112,
190, 260, 402

R017



2.625"

5.5"

R048



9.8"

2.63"

R052



5.25"

2.63"

Item #	Description	
R017.xxx.PS	2.625" Passage – pair	\$100
R017.xxx.FD	2.625" Dummy – pair	\$100
R017.xxx.IPS	2.625" Passage – half pair	\$54
R017.xxx.IDM	2.625" Dummy – half pair	\$54
R017.xxx.PV	2.625" Privacy – pair	\$100
R017.xxx.IPV	2.625" Privacy – half pair	\$54
R048.xxx.PS	9.8" Contemporary Passage - pair	\$328
R048.xxx.FD	9.8" Contemporary Dummy - pair	\$328
R048.xxx.IPS	9.8" Contemporary Passage - half pair	\$164
R048.xxx.IDM	9.8" Contemporary Dummy - half pair	\$164
R048.xxx.PV	9.8" Contemporary Privacy - pair	\$328
R048.xxx.RPV (LPV)	9.8" Contemporary Privacy - half pair	\$164
R048.xxx.ENTR	9.8" Contemporary Entry Kit - pair	\$554
R048.xxx.EGRK	10" Contemporary Entry Egress Kit - Knob Adaptor	\$670
R048.xxx.EGRL	10" Contemporary Entry Egress Kit - Lever Adaptor	\$670
R052.xxx.PS	5.25" Rectangle Passage - pair	\$162
R052.xxx.FD	5.25" Rectangle Dummy - pair	\$162
R052.xxx.IPS	5.25" Rectangle Passage - half pair	\$81
R052.xxx.IDM	5.25" Rectangle Dummy - half pair	\$81
R052.xxx.PV	5.25" Rectangle Privacy - pair	\$162
R052.xxx.IPV	5.25" Rectangle Privacy - half pair	\$81

Entry/Non-Egress: Supports 1 3/4" doors. Includes cylinder and deadbolt latch. Must order desired knobs or levers and knob/lever passage latch, 4.5" straight spindle along with 6503.009 or 6504.009 Adaptor separately.

Egress: Supports 1 3/4" doors. Includes cylinder, spindle, deadbolt latch, knob/lever latch, and egress cartridge. Must order desired knobs or levers separately. Spindle included with Egress kit will work from 1.75" to 2.25" Thick Doors. Must order 5399.xxx.C Thick Door Kit for doors 2" to 2.25" thick. Interior Egress roses do not match Interior Non-Egress or Dummy roses.

Note: All 10 inch rose interiors and exteriors have exposed screws except the Entry/Entry Egress kits, which have exposed interior screws only.

R017, R048 and R052 all cover most singular tubular cut out.

A LA CARTE KNOBS
AND LEVERS

*2.625" diameter or larger privacy roses do NOT include 5097 Active backplates.
**Rose covers 2.125" hole on pre-bored door.

R049, R050, R051, R053
Hollywood Hills Rosettes

003, 031, 033
044, 050, 055, 056
060, 076, 102, 112,
190, 260, 402

Item #	Description	Price
R049.xxx.PS	2.25" Hollywood Hills Passage - pair	\$90
R049.xxx.FD	2.25" Hollywood Hills Dummy - pair	\$90
R049.xxx.IPS	2.25" Hollywood Hills Passage - half pair	\$46
R049.xxx.IDM	2.25" Hollywood Hills Dummy - half pair	\$46
R049.xxx.PV	2.25" Hollywood Hills Privacy - pair	\$90
R049.xxx.IPV	2.25" Hollywood Hills Privacy - half pair	\$46
R050.xxx.PS	2.625" Hollywood Hills Passage - pair	\$100
R050.xxx.FD	2.625" Hollywood Hills Dummy - pair	\$100
R050.xxx.IPS	2.625" Hollywood Hills Passage - half pair	\$54
R050.xxx.IDM	2.625" Hollywood Hills Dummy - half pair	\$54
R050.xxx.PV	2.625" Hollywood Hills Privacy - pair	\$100
R050.xxx.IPV	2.625" Hollywood Hills Privacy - half pair	\$54
R051.xxx.PS	9.2" Hollywood Hills Passage - pair	\$328
R051.xxx.FD	9.2" Hollywood Hills Dummy - pair	\$328
R051.xxx.IPS	9.2" Hollywood Hills Passage - half pair	\$164
R051.xxx.IDM	9.2" Hollywood Hills Dummy - half pair	\$164
R051.xxx.PV	9.2" Hollywood Hills Privacy - pair	\$328
R051.xxx.RPV (LPV)	9.2" Hollywood Hills Privacy - half pair	\$164
R051.xxx.ENTR	9.2" Hollywood Hills Entry Kit - pair	\$554
R051.xxx.EGRK	9.2" Hollywood Hills Entry Egress Kit - Knob Adaptor	\$670
R051.xxx.EGRL	9.2" Hollywood Hills Entry Egress Kit - Lever Adaptor	\$670
R053.xxx.PS	5.25" Rectangle Passage - pair	\$162
R053.xxx.FD	5.25" Rectangle Passage - pair	\$162
R053.xxx.IPS	5.25" Rectangle Passage - half pair	\$81
R053.xxx.IDM	5.25" Rectangle Dummy - half pair	\$81
R053.xxx.PV	5.25" Rectangle Privacy - pair	\$162
R053.xxx.IPV	5.25" Rectangle Privacy - half pair	\$81

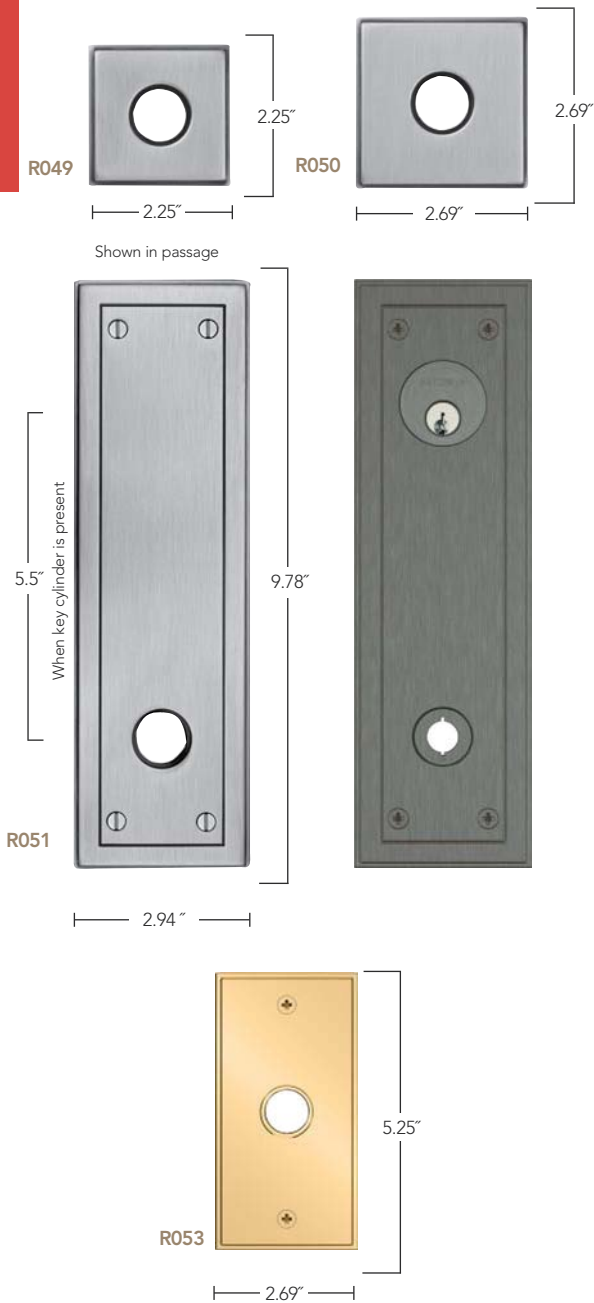
Entry/Non-Egress: Supports 1 3/4" doors. Includes cylinder and deadbolt latch. Must order desired knobs or levers and knob/lever passage latch, 4.5" straight spindle along with 6503.009 or 6504.009 Adaptor separately.

Egress: Supports 1 3/4" doors. Includes cylinder, spindle, deadbolt latch, knob/lever latch, and egress cartridge. Must order desired knobs or levers separately. Spindle included with Egress kit will work from 1.75" to 2.25" Thick Doors. Must order 5399.xxx.C Thick Door Kit for doors 2" to 2.25" thick. Interior Egress roses do not match Interior Non-Egress or Dummy roses.

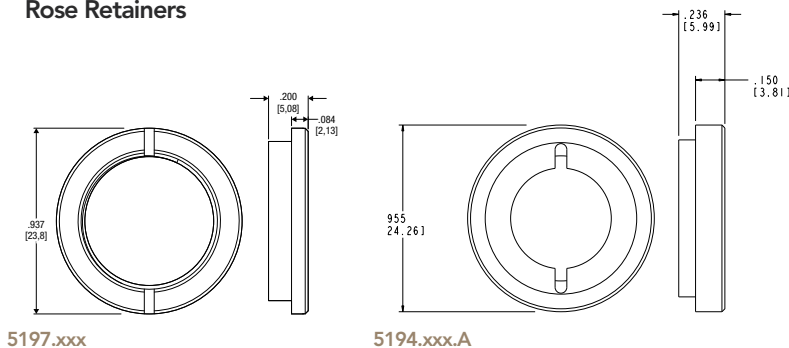
Note: All 10 inch rose interiors and exteriors have exposed screws except the Entry/Entry Egress kits, which have exposed interior screws only.



R050, R051, R053 All cover most singular tubular cut out.



Rose Retainers



Item #	Description	Price
5197.xxx	Rose Retainer	\$4
5194.xxx.A	Rose Retainer Small Shank	\$4
5197.xxx – Rose Retainer		
• Rose Retainers furnished standard with all roses.		
• Finishes:		
000 for 003, 030, 031, 033, 050, 060		
190 for 102, 112, 190, 402		
264 for 260, 140, 055, 056		
5194.xxx.A – Rose Retainer Small Shank For 2" Rosettes Only		
• Only available in finishes 019, 140, 190, 221		

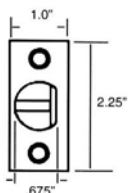
Passage & Privacy Latches



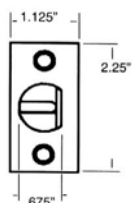
Anti-friction insert

Privacy Button

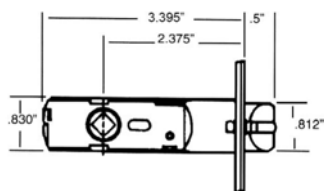
1" WIDE FACEPLATE



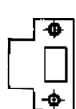
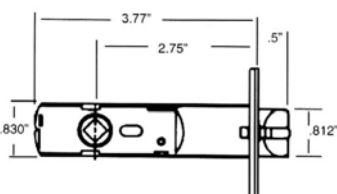
1.125" WIDE FACEPLATE*



2.375" BACKSET LATCH



2.75" BACKSET LATCH



Standard Box Strike (T-Strike)



ASA Strike



Full Lip Strike

003, 031, 033
044, 050, 055, 056
060, 076, 102, 112,
190, 260

Passage Latches

Item #	Description	Backset	Faceplate	
5510.xxx (ASA, .FLS)	Knob-Strength Passage latch	2.375"	1" w	\$82
5512.xxx* (ASA)	Knob-Strength Passage latch	2.375"	1.125" w	\$82
5513.xxx (ASA, .FLS)	Lever-Strength Passage latch	2.375"	1" w	\$82
5515.xxx* (ASA)	Lever-Strength Passage latch	2.375"	1.125" w	\$82
5520.xxx (ASA, .FLS)	Knob-Strength Passage latch	2.75"	1" w	\$82
5522.xxx* (ASA)	Knob-Strength Passage latch	2.75"	1.125" w	\$82
5523.xxx (ASA, .FLS)	Lever-Strength Passage latch	2.75"	1" w	\$82
5525.xxx* (ASA)	Lever-Strength Passage latch	2.75"	1.125" w	\$82

Privacy Latches

003, 031, 033
044, 050, 055, 056
060, 076, 102, 112,
190, 260

Item #	Description	Backset	Faceplate	
5510.xxx.P (ASA, .FLS)	Knob-Strength Privacy latch	2.375"	1" w	\$82
5512.xxx.P* (ASA)	Knob-Strength Privacy latch	2.375"	1.125" w	\$82
5513.xxx.P (ASA, .FLS)	Lever-Strength Privacy latch	2.375"	1" w	\$82
5515.xxx.P* (ASA)	Lever-Strength Privacy latch	2.375"	1.125" w	\$82
5520.xxx.P (ASA, .FLS)	Knob-Strength Privacy latch	2.75"	1" w	\$82
5522.xxx.P* (ASA)	Knob-Strength Privacy latch	2.75"	1.125" w	\$82
5523.xxx.P (ASA, .FLS)	Lever-Strength Privacy latch	2.75"	1" w	\$82
5525.xxx.P* (ASA)	Lever-Strength Privacy latch	2.75"	1.125" w	\$82

Latches NOT available in Distressed finishes, non-distressed equivalents 402=102

*Latches with 1.125" wide faceplate commonly used for commercial applications

Latches available with Standard strike (no suffix), ASA strike (ASA) or Full Lip Strike (FLS)

Example: 5510.xxx = Standard strike
5510.xxx.ASA = ASA strike
5510.xxx.FLS = Full Lip Strike

ALL INTERIOR LATCHES:

- Hub rotation only 28° for easy turning
- Non-handed latches (reversible)
- Fully adjustable fronts for use on beveled doors
- Bolt head features anti-friction insert for smooth operation
- Lever-Strength latches manufactured with heavy duty springs

INCLUDED WITH INTERIOR LATCHES:

- Standard Box Strike (T-Strike)
- ASA or Full Lip Strike also available at no charge – specify as follows:
5510.xxx.ASA Latch x ASA Strike
5510.xxx.FLS Latch x Full Lip Strike
- Wood fasteners and template
- Dust Box – 5510.000 (not included with .ASA latches)
- 3.75" spindle*
- Privacy Button (with Privacy Latches)

NOTE: For Doors 1.75" or thicker or use with escutcheon plates, a longer spindle is likely needed. See Spindle Chart on pg 51.

UL LISTED Estate Passage/Privacy

Only select Estate passage and privacy sets have been certified by UL at this time. This is determined by the rose that is used on the particular set, along with the use of the Estate 6503.009 and 6504.009 adaptors. Estate roses that meet the UL requirement when used in conjunction with the Estate 6503.009 and 6504.009 adaptors are as follows:

5021	5126	R008 PS/PV	R027/R029 PS/PV/ENTR
5042	5127	R010 PS/PV	R030/R032 PS/PV/ENTR
5046	5129	R012 PS/PV	R033/R035 PS/PV/ENTR
5047	5134	R016 PS/PV	R039/R040/R041 PS/PV/ENTR
5048	5142	R017 PS/PV	R046 PS/PV/ENTR
5058	5145	R026 PS/PV	R048 PS/PV/ENTR
5059	5146		R049/R050/R051 PS/PV/ENTR
5070	5147		
5075	5148		
5076	5149		
5078	5158		
5119	5159		
5123			



3-HR FIRE RATING

003, 031, 033
044, 050, 055, 056
060, 076, 102, 112,
190, 260

Item #	Description	
U5510.xxx	UL Kit for Estate passage or privacy sets (for use with 6503.009 adapter)	\$32
U5530.xxxx	UL Kit for Estate passage or privacy sets (for use with 6504.009 adapter)	\$32

Included with each kit:
UL latch faceplate, Inside & Outside UL Shield, UL Retaining Ring

ORDERING:

- 1.) Choose your Estate knob or lever pair
- 2.) Choose your Estate passage or privacy rose from the list to the left
- 3.) Choose your knob or lever latch
- 4.) Add the 6503.009 or 6504.009 adaptors
- 5.) Choose the UL kit for Estate passage or privacy sets in the finish that matches your knob or lever latch: U5510.xxx

NOTE: all components from the passage/privacy kit must be used for UL certification

A LA CARTE KNOBS AND LEVERS

5210 & 5300 Replacement Latches



Universal Deadlocking Latch for Keyed Entry

Item #	Adjustable Backset	Front Length	Front Width	Description	Price
5210.xxx	2.375" (60mm) 2.75" (70mm)	2.25" (57mm)	1" (25mm)	Deadlocking Latch Bolt	\$65

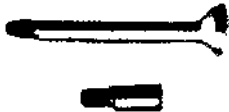
FEATURES: Latch bolts have a .5" throw, are reversible and can be used on beveled doors. Latches are supplied with 1" (25mm) face plates.

PACKED: One latch per box.

Adjustable Latch for Tubular Handlesets

Item #	Description	Price
5300.xxx.9	Adjustable Latch	\$60

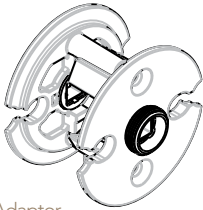
5510.xxx.0030 – Privacy Button



Item #	Description	Price
5510.xxx.0030	Privacy Button – All Knob-Strength Latches	\$15
5513.xxx.0030	Privacy Button – All Lever Strength Latches	\$15
5199.000	Privacy Button Extender	\$7

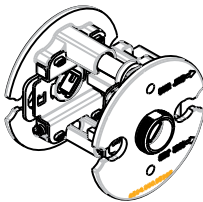
Furnished with all privacy tubular latch sets (latches ordered .P)
Use to extend length of privacy button in applications where hardware is installed on doors over 1.75" thick and/or with escutcheon plates thicker than .25"

2.125" Pre-Drilled Door Adaptors



6503.009
Standard Adaptor

NOTE: Accommodates 1 3/8" and 1 3/4" door thickness.



6504.009
Standard Assisted Adaptor

Item #	Description	Price
6503.009*	Standard Pre-Drilled Door Adaptor	\$15
6504.009**	Spring assisted Pre-Drilled Door Adaptor for Levers	\$17

*We recommend you use the 6503.009 adaptor on knobs and lighter levers. Works with both knob & lever strength latches. The 6503.009 was designed off of the 6502.009 adaptor with an added cam to alleviate vertical wobble.

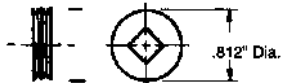
**We recommend you use the 6504.009 adaptor on heavier levers when using a lever strength latch, please refer to the list below:

- 5112 L016
- 5113 L023
- 5116 L029
- 5118 L030
- 5125
- 5162
- 5173

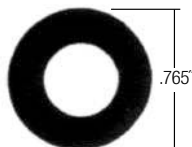
Spare Parts



1327.009
Set Screws



5084.009.0002
Dummy Trim Plate



5085.000
Graphite Impregnated
Nylon Spacer

Item #	Description	Price
1327.009	Set Screws (pair)	\$2
5084.009.0002	Dummy Trim Plate (each)	\$3
5085.000	Graphite Impregnated Nylon Spacer (each)	\$2

1327.009 – Set Screws

- Included with ALL Estate knobs and levers
- 0.25" Black Oxide

5084.009.0002 – Dummy Trim Plate

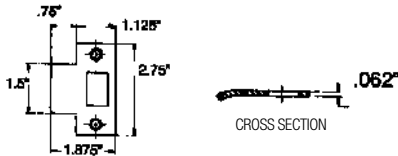
- This plate can be ordered separately to convert other finishes of screw covers to a rigid mounting installation.

5085.000 – Graphite Impregnated Nylon Spacer

- Included with all Privacy rosettes
- Eliminates end play of trim and assures smooth operation

5510.TSTR – Standard Box Strike (T Strike)

Included with all Passage & Privacy Latches

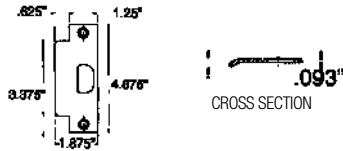


003, 031, 033
044, 050, 055, 056
060, 076, 102, 112,
190, 260

Item #	Description	
5510.xxx.TSTR	Standard Box Strike (Included with all Passage & Privacy Latches)	\$22

LIP TO CENTER DIMENSION (LTC): 1.312" (33mm)
DUST BOX: furnished unattached (5510.000.TSTR)
TEMPLATE: metal frames to be prepared in accordance with ANSI standard A115.2

5510.ASTR – ASA strike

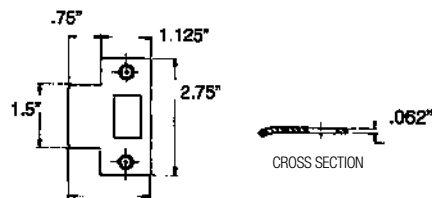


003, 031, 033
044, 050, 055, 056
060, 076, 102, 112,
190, 260

Item #	Description	
5510.xxx.ASTR	ASA Strike	\$22

LTC: 22" (32mm)
DUST BOX: not furnished
TEMPLATE: metal frames to be prepared in accordance with ANSI standard A115.2

5510.E158, .E178, .E214 – Extended T-strike

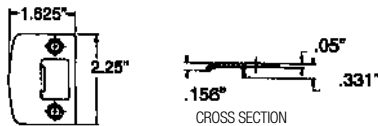


003, 031, 033
044, 050, 055, 056
060, 076, 102, 112,
190, 260

Item #	Description	
5510.xxx.E158	Extended Lip Box Strike – 1.625" LTC	\$22
5510.xxx.E178	Extended Lip Box Strike – 1.875" LTC	\$22
5510.xxx.E214	Extended Lip Box Strike – 2.25" LTC	\$22

LTC: 5510.xxx.E158 – 1.625" (41mm)
LTC: 5510.xxx.E178 – 1.875" (48mm)
LTC: 5510.xxx.E214 – 2.25" (57mm)
DUST BOX: not furnished (use dust box provides with standard T strike)

5510.FSTR – Full lip strike

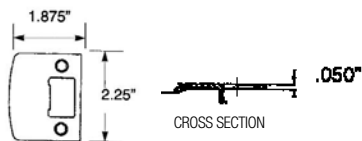


003, 031, 033
044, 050, 055, 056
060, 076, 102, 112,
190, 260

Item #	Description	
5510.xxx.FSTR	Full Lip Strike	\$22

LTC: 1.125" (29mm)
DUST BOX: not included

5300.EFLS – Extended full lip strike (ONLY SIZE AVAILABLE)

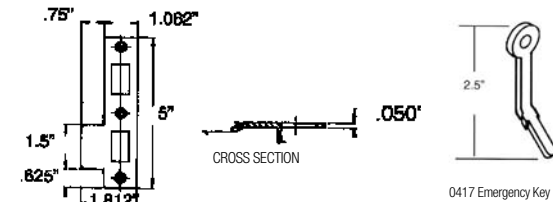


003, 031, 033
044, 050, 055, 056
060, 076, 102, 112,
190, 260, 402

Item #	Description	
5300.xxx.EFLS	Extended Full Lip Strike	\$22

For 2" (51mm) and 2.25" (57mm) thick doors or when trim condition necessitates a larger strike. Can also be used with Estate handlesets and interior sets
LTC: 1.375" (35mm)
DUST BOX: not included

5528.R (.L) – Combination privacy strike – ESCUTCHEON



003, 031, 033
044, 050, 055, 056
060, 076, 102, 112,
190, 260

Item #	Description	
5528.xxx.R (.L)	Combination Privacy Strike	\$22

LTC: 1.28" (33mm), other lengths not available
FEATURES: Permits use of 5500 series tubular latches and 0413 or 0418 mortise bolts with KT and KE escutcheon trim. Strike is designed with a curved lip, so proper hand of door is required. Furnished with 0417 Emergency key standard. CTC of the cross bore of the combo strike is 2 1/4".
DUST BOX: Boxes furnished with tubular latches/mortise bolts can be used in combination with strike
NOTE: handling of strike is based on latch bolt being installed below deadbolt

5510.000 – Dust Box



Item #	Description	
5510.000.TSTR	Dust box for use with 5510.xxx.TSTR strike	(000 finish only) \$7
5510.000.FSTR	Dust box for use with 5510.xxx.FSTR strike	(000 finish only) \$7

Conceals installation marks and cutouts

A LA CARTE KNOBS AND LEVERS

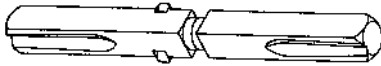
*QUICK SHIP is available in functions and finishes shown in red.

0509 - 0517 Broached Straight Spindles – PASSAGE



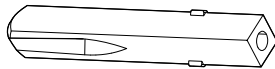
Item #	Description	Size	Price
0509.004	Broached straight	3"	\$17
0510.004	Broached straight	3.5"	\$17
0517.004	Broached straight	3.75"	\$17
0511.004	Broached straight	4"	\$17
0512.004	Broached straight	4.5"	\$17
0513.004	Broached straight	5"	\$17
0514.004	Broached straight	5.5"	\$17
0515.004	Broached straight	6"	\$17
0516.004	Broached straight	7"	\$17

0519 - 0527 Broached Swivel Spindles – PRIVACY



Item #	Description	Size	Price
0519.004	Broached swivel	3"	\$23
0520.004	Broached swivel	3.5"	\$23
0527.004	Broached swivel	3.75"	\$23
0522.004	Broached swivel	4"	\$23
0521.004	Broached swivel	4.5"	\$23
0523.004	Broached swivel	5"	\$23
0524.004	Broached swivel	5.5"	\$23
0525.004	Broached swivel	6.5"	\$23

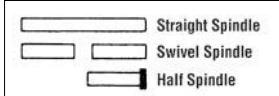
0530 - 0539 Broached Half Spindles – FRONT DOOR
(thumbpiece to knob or lever)



Item #	Description	Size	Price
0530.004	Broached half	2.375"	\$17
0531.004	Broached half	2.875"	\$17
0532.004	Broached half	3.375"	\$17
0533.004	Broached half	2.5"	\$17
0539.004	Broached half	2.625"	\$17

• For mounting all current Estate knobs and levers to thumbpiece of handlesets
• Included with all 'set' orders

SPINDLE CHART & KEY



.A SUFFIX TRANSITIONAL SPINDLES (OLD STYLE):

For use with all discontinued Estate threaded knobs & levers, as well as all current Estate knobs and levers

Door Thickness	1.375"		1.75"		2"		2.25"		2.5"		2.75"		3"	
	Spindle	Half Spindle	Spindle	Half Spindle	Spindle	Half Spindle	Spindle	Half Spindle	Spindle	Half Spindle	Spindle	Half Spindle	Spindle	Half Spindle
A – .0625"	3.5"	2.25"	4"	2.25"	4"	2.25"	4.5"	2.25"	4.5"	2.375"	4.5"	2.25"	4.5"	2.375"
B – .0937"	3.5"	2.25"	4"	2.25"	4"	2.25"	4.5"	2.25"	4.5"	2.375"	4.5"	2.25"	5"	2.375"
C – .125"	3.5"	2.25"	4"	2.25"	4.5"	2.25"	4.5"	2.25"	5"	2.375"	5"	2.375"	5"	2.875"
D – .1875"	3.5"	2.25"	4"	2.25"	4.5"	2.25"	4.5"	2.375"	5"	2.375"	5"	2.375"	5"	2.875"
E – .25" Estate Roses	3.5"	2.25"	4"	2.25"	4.5"	2.25"	4.5"	2.375"	5"	2.875"	5"	2.375"	5"	2.875"
F – .3125"	4"	2.25"	4.5"	2.25"	4.5"	2.375"	5"	2.375"	5"	2.875"	5"	2.875"	5"	2.875"
G – .375"	4"	2.25"	4.5"	2.25"	5"	2.375"	5"	2.875"	5.5"	2.875"	5.5"	2.875"	5.5"	2.875"
H – .435"	4.5"	2.25"	4.5"	2.375"	5"	2.375"	5"	2.625"	5.5"	2.875"	5.5"	2.875"	5.5"	2.875"
H1 – .53"	4.5"	2.25"	4.5"	2.375"	5"	2.625"	5.5"	2.625"	5.5"	2.875"	5.5"	2.875"	5.5"	2.875"
I – .56"	4.5"	2.25"	5"	2.375"	5"	2.625"	5.5"	2.625"	5.5"	2.875"	5.5"	2.875"	5.5"	2.875"
J – .75"	5"	2.625"	5.5"	2.875"	5.5"	2.875"	6"	2.875"	6"	2.875"	6" 5.5"	3.375"	6" 5.5"	3.375"

Transitional Straight Spindles – Passage

Item #	Description	Size	Price
0509.004.A	Transitional straight	3"	\$25
0510.004.A	Transitional straight	3.5"	\$25
0511.004.A	Transitional straight	4"	\$25
0512.004.A	Transitional straight	4.5"	\$25
0513.004.A	Transitional straight	5"	\$25
0514.004.A	Transitional straight	5.5"	\$25
0515.004.A	Transitional straight	6"	\$25
0516.004.A	Transitional straight	7"	\$25

Transitional Swivel Spindles – Privacy

Item #	Description	Size	Price
0519.004.A	Transitional swivel	3"	\$33
0520.004.A	Transitional swivel	3.5"	\$33
0521.004.A	Transitional swivel	4.5"	\$33
0522.004.A	Transitional swivel	4"	\$33
0524.004.A	Transitional swivel	5.5"	\$33
0525.004.A	Transitional swivel	6.5"	\$33

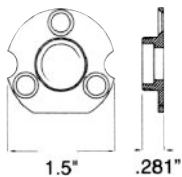
Transitional Half Spindles – Front Door (thumbpiece to knob or lever)

Item #	Description	Size	Price
0530.004.A	Transitional half	2.375"	\$25
0531.004.A	Transitional half	2.875"	\$25
0532.004.A	Transitional half	3.375"	\$25
0533.004.A	Transitional half	2.25"	\$25

Strikes NOT available in Distressed finishes, non-distressed equivalents

*QUICK SHIP is available in functions and finishes shown in red.

Active Trim Back Plate - Rosettes



5097.009.N
Active Trim Back Plate

Item #	Description	Price
5097.009.N	Active Trim Back Plate (each)	\$13

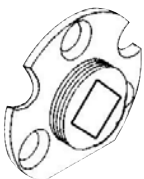
5097.009.N – Active Trim Back Plate
 • For use with ALL Estate active roses

NOTE: 5097 back plate is not compatible with 2.125" door prep.

Dummy Spindles – Rosettes



Half



Full

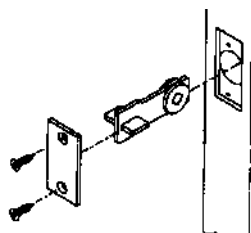
Item #	Description	Price
5098.004.N	Half Dummy Back Plate (each)	\$13
5098.009.N	Full Dummy Back Plate (each)	\$13
5098.004.A	Transitional Half Dummy Back Plate (each)	\$19

5098.004.N – Half Dummy Spindle
 • Half dummy surface mounting for all current Estate knobs and levers
 • Rose threads onto adaptor
 • Included with roses ordered .IDM
 • If surface mounting is problematic (ie, hollow core doors)
 please order Rigid Mounting Spindle (5084.xxx) – shown below

NOTE: 5098.004.A Transitional spindle for discontinued threaded knobs & levers, as well as all current Estate knobs and levers.

5098.009.N – Full Dummy Adaptor
 • Rose threads onto adaptor
 • For all current Estate knobs and levers
 • Two adaptors included with roses ordered .FD
 • Spindle ordered separately

Dummy Insert & Filler Plate



Item #	Description	Price
5090.020.A	Dummy insert & filler plate	\$27

• Used with 6503.009 adaptor to enable full dummy mounting
 • Conceals face plate cut-out in edge of door

Mortise, Bolt, Tubular Design

003, 031, 033
044, 050, 055, 056
060, 076, 102, 112,
190, 260, 402

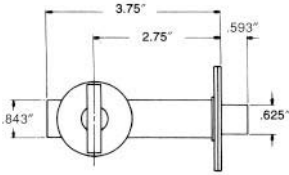


0413

Item #	Description	Backset	Wt.	
0413.xxx	Contemporary Mortise Bolt	2.75"	0.6	\$113
0414.xxx	Traditional Mortise Bolt	2.75"	0.6	\$113
0418.xxx	Contemporary Mortise Bolt	2.375"	0.5	\$113
0419.xxx	Traditional Mortise Bolt	2.375"	0.5	\$113

- Heavy duty solid brass mortise bolt with steel housing
- Smooth and positive action
- Use with tubular latches for privacy/patio condition
- May be installed above or below latches, depending upon visibility
- Emergency release trim available at additional charge
- Available Less Turn Piece (.LTP)

0413.xxx – 2.75" Backset Mortise Bolt

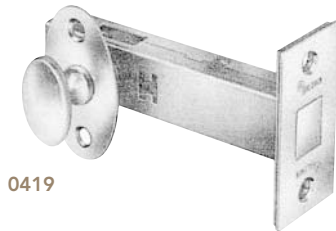
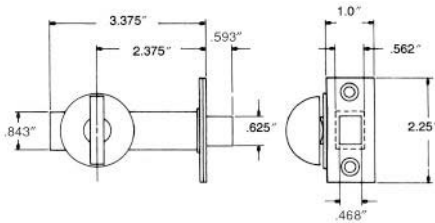


IMPORTANT: To enable emergency trim to function, the turn piece spindle must be cut to extend no farther than halfway through the bolt.

PACKED: One in a box with necessary fasteners and template

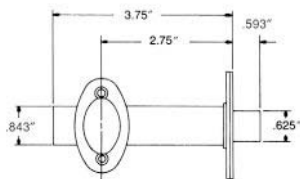
FSE: BHMA Designation: LO4121

0418.xxx – 2.375" Backset Mortise Bolt

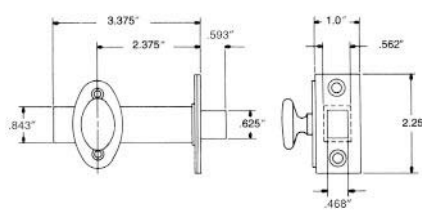


0419

0414.xxx – 2.75" Backset Mortise Bolt



0419.xxx – 2.375" Backset Mortise Bolt



0413 & 0418.LTP

Less Turn Piece

003, 031, 033, 044
050, 055, 056, 060, 076
102, 112, 190, 260



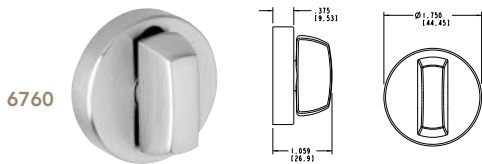
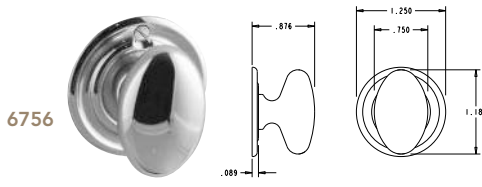
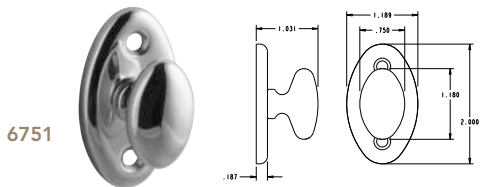
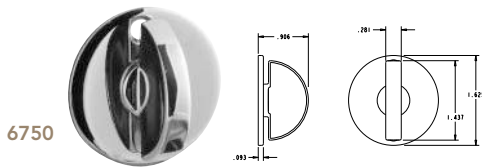
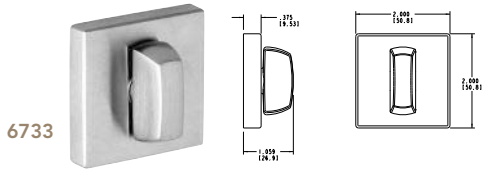
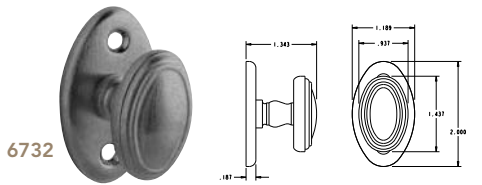
Order Turn Piece separately
(next page)

Item #	Description	Backset	Wt.	
0413.xxx.LTP	Mortise Bolt – Less Turn Piece	2.75"	0.4	\$45
0418.xxx.LTP	Mortise Bolt – Less Turn Piece	2.375"	0.4	\$45

Mortise Bolts .LTP not available in Distressed finishes, non-distressed equivalents:
402=102, 452=152*

Turn Pieces w/ Backplates

003, 031, 033
044, 050, 055, 056
060, 076, 102, 112,
190, 260, 402



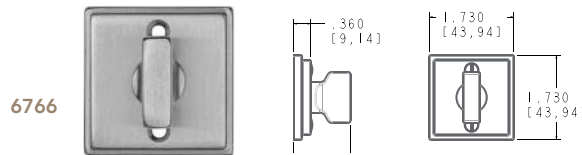
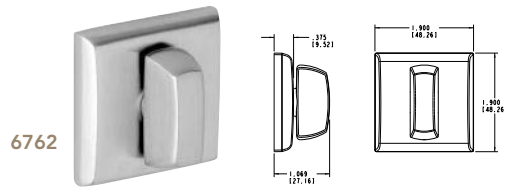
Item #	Description	
6732.xxx	Turn Piece (Will accommodate doors up to 2.25")	\$95
6750.xxx	Turn Piece (Will accommodate doors up to 2.25")	\$95
6751.xxx	Turn Piece (Will accommodate doors up to 2.25")	\$95
6756.xxx	Turn Piece (Will accommodate doors up to 2.25")	\$95
--	For doors thicker than 2.25" order turn pieces as .EXT	\$111

6728-6764 – Turn Piece w/ Backplates

• For interior & exterior mortise locks, tubular bolts and sectional trim

6733.xxx	Turn Piece (Will accommodate doors up to 3")	\$95
6760.xxx	Turn Piece (Will accommodate doors up to 3")	\$95
6762.xxx	Turn Piece (Will accommodate doors up to 3")	\$95
6766.xxx	Turn Piece (Will accommodate doors up to 3")	\$95
--		

NOTE: Used with entrance, privacy mortise locks and tubular privacy mortise bolts.



A LA CARTE KNOBS
AND LEVERS

IMPORTANT: To enable emergency trim to function, the turn piece must be cut to extend no farther than halfway through the bolt.

Turn Knobs



6720
Turn Knob for 6750



6721
Turn Knob for 6751 & 6756



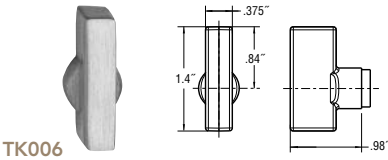
6725
Turn Knob for 6732



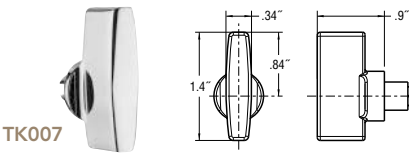
6729
Turn Knob for 6709 & 6714



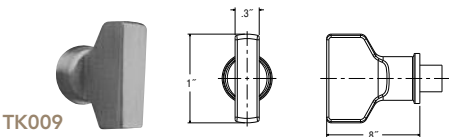
6735



TK006



TK007



TK009

Item #	Description	Matching Turn Piece	003, 031, 033 044, 050, 055, 056 060, 076, 102, 112, 190, 260, 402
6720.xxx	Turn Knob	6750	\$51
6721.xxx	Turn Knob	6751 & 6756	\$51
6725.xxx	Turn Knob	6732	\$51
6729.xxx	Turn Knob	6709 & 6714	\$51

6720-6729.xxx – Turn Knobs

- For interior & Exterior Trim trim or combined with ER trim to create a custom Turn Piece
- For doors up to 2.25" thick
- For doors thicker than 2.25", order .EXT – Extended Turn Knob eg. 6720.xxx.EXT
- 10% up charge for assembly of non-standard turn knobs on escutcheon plates.

6735.xxx	Turn Knob	6733, 6760, 6762	\$51
TK006.xxx	Turn Knob		\$51
TK007.xxx	Turn Knob		\$51
TK009.xxx	Turn Knob		\$51
--	Turn Knobs above .EXT (for doors thicker than 2.25")		\$60

6735 Turn Knob will fit up to 3" thick doors (.EXT not necessary)

NOTE: All Turn Knobs may be used with Trim & Key Sets (page 71), or with any Emergency Egress (KE) mortise trim set.

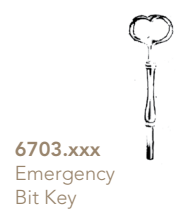
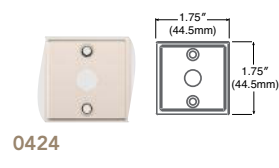
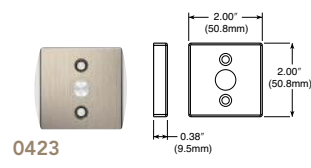
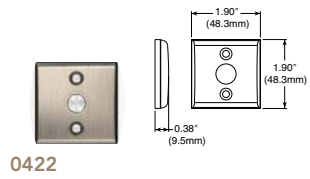
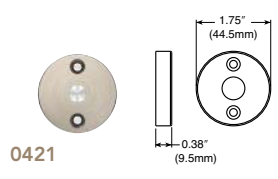
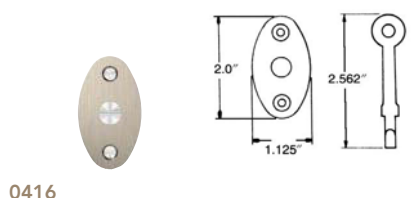
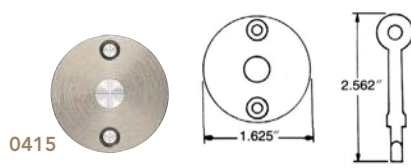
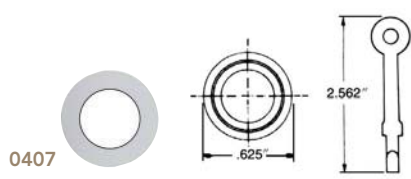
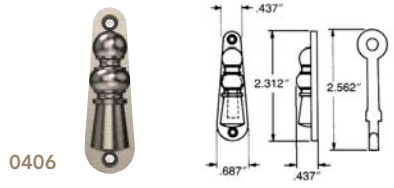
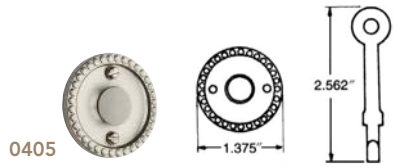
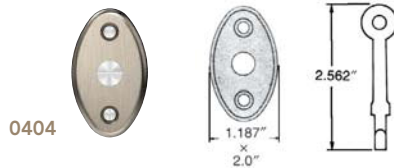
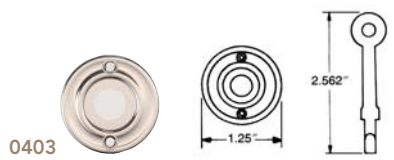
IMPORTANT: To enable emergency trim to function, the turn piece must be cut to extend no farther than halfway through the bolt.

NOTE: Turn piece spindles are .1875" across.

Trim & Key Set

All Trim sets come with Emergency Release Key

003, 031, 033
044, 050, 055, 056
060, 076, 102, 112,
190, 260, 402



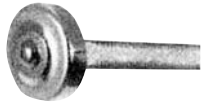
Item #	Description	
0403.xxx	Emergency Release Trim & 0417 Key w/ 6701 Cover	\$62
0404.xxx	Emergency Release Trim & 0417 Key w/ 6701 Cover	\$62
0405.xxx	Emergency Release Trim & 0417 Key w/ 6701 Cover	\$62
0406.xxx	Colonial Emergency Release Trim & Key	\$62
0407.xxx	Emergency Release Trim & 0417 Key w/ 6701 Cover	\$62
0415.xxx	Emergency Release Trim & 0417 Key w/ 6701 Cover	\$62
0416.xxx	Emergency Release Trim & 0417 Key w/ 6701 Cover	\$62
0421.xxx	Contemporary Round Emergency Release Trim & 0417 Key w/ 6701 Cover	\$62
0422.xxx	Lakeshore Emergency Release Trim & 0417 Key w/6701 Cover	\$62
0423.xxx	2" x 2" Square Emergency Release Trim & 0417 Key w/6701 Cover	\$62
0424.xxx	Emergency Release Trim (Backplate)	\$62
0417.022	Emergency Release Key - Steel	\$10
5174.022	Emergency Key Supplied w/5500 Series Privacy Latches - Steel	\$10
6701.xxx	Emergency Release Cover	\$15
6703.xxx	Emergency Key - Bit Key (Solid brass key for mortise bolts and privacy function mortise locks)	\$51

6701.xxx - Emergency Release Cover
FEATURE: Pressure applied cover
 Conceals emergency release opening on privacy lock function.
 Designed for use with escutcheon or emergency release trim.
 All ER trims require a 1/2" face prep.

A LA CARTE KNOBS
AND LEVERS

NOTE: Turn piece spindles are .1875" across.

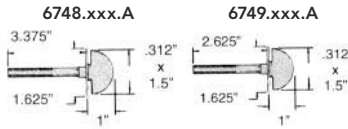
Half Dummy Rigid Mounting Closet Spindle



Half



Closet



003, 031, 033
044, 050, 055, 056
060, 076, 102, 112,
190, 260, 402

Item #	Description	Spindle Length	Door Thickness	
5084.xxx.A	Half Dummy Rigid Mounting	2.25"	1.375"	\$45
6748.xxx	Closet Spindle	3.375"	1.75"	\$66
6749.xxx	Closet Spindle	2.625"	1.375"	\$66

5084.xxx – Half Dummy Rigid Mounting Spindle – ROSES

- Optional mounting in place of 5098.004.N for a more secure mounting
- Through-bolt application ideal for hollow core doors or where surface mounting is not recommended

6748-6749.xxx – Closet Spindle

- For the inside of closets and low frequency use doors
 - Installation is identical to standard trim designs
 - For 2.125" pre-drilled doors, use 5081 closet spindle with 6502.009 adaptor, See Pre-drilled Doors Accessories
 - Add .A to the 6748.xxx - 6749.xxx Closet Spindles for old-styled threaded applications
- CAUTION:** Closet spindles are difficult to turn and should not be used where children, aged, or physically-handicapped people may lock themselves within a small space.

5081 & 5082

Closet Spindles – Pre-drilled Doors



5081



5082

003, 031, 033
044, 050, 055, 056
060, 076, 102, 112,
190, 260, 402

Item #	Description	Spindle Length	Door Thickness	
5081.xxx.A	Closet Spindle	2.625"	1.375"	\$66
5082.xxx.A	Closet Spindle	3.375"	1.75"	\$66

- For the inside of closets and low frequency use doors
- Mounts with 6503.009 Adaptor for pre-bored doors only

CAUTION: Closet spindles are difficult to turn and should not be used where children, aged, or physically-handicapped people may lock themselves within a small space.

Screw Covers

Specially designed to conceal the screw head



0129



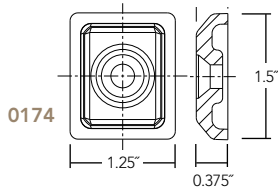
0175

003, 031, 033
044, 050, 055, 056
060, 076, 102, 112,
190, 260, 402

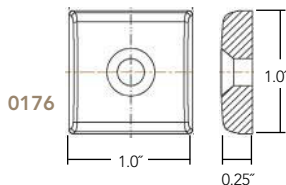
Item #	Description	
0129.xxx	Colonial Screw Cover	\$20
0175.xxx	Contemporary Screw Cover	\$20

Screw Bases

Rectangular & Lakeshore



0174



0176

003, 031, 033
044, 050, 055, 056
060, 076, 102, 112,
190, 260, 402

Item #	Description	
0174.xxx	Rectangular Screw Base	\$38
0176.xxx	Lakeshore Screw Base	\$38

0174.xxx – Rectangular Screw Base

- Specifically designed screw base

0176.xxx – Lakeshore Screw Base

- Specifically designed screw cover conceals the screw head

Installation Tools



5326.000
Rose Retainer Wrench



8480.000
Aligning Tool & Bushing



8474.000
Aligning Bushing



8481.000
Allen Wrench

Item #	Description	Price
5326.000	Rose Retainer Wrench	\$4
8474.000	Aligning Bushing (box of 50)	\$22
8480.000	Aligning Tool & Bushing	\$17
8481.000	Allen Wrench	\$2

8474.000 – Aligning Bushing
• Box of 50

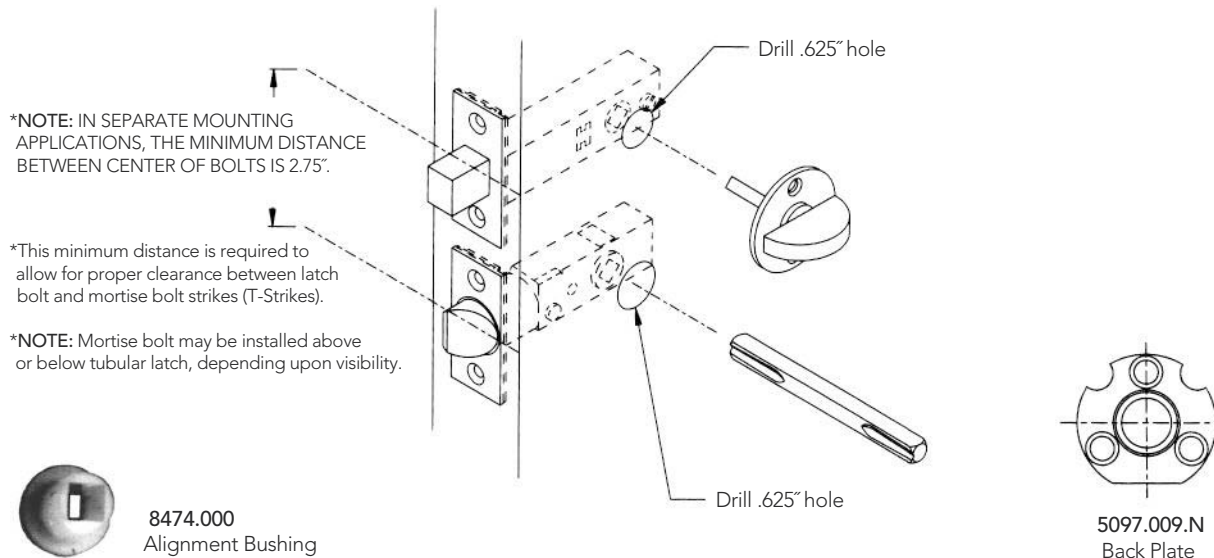
8480.000 – Aligning Tool & Bushing

• For use in proper alignment of knobs/levers and roses with mortise locks and tubular latches

8481.000 - Allen Wrench

• For all knob and lever installations

TUBULAR LATCH INSTALLATION W/ ALIGNING BUSHING



Use of 8474.000 Aligning Bushing will facilitate installation of trim. Trim must be in alignment with latch and spindle to prevent binding.

- A. Install latch and strike per template instructions.
- B. Insert spindle through latch.
- C. Position 5097.009.N Back Plates over spindle and insert 8474.000 Alignment Bushings.
- D. Center mark and install screws into back plates and remove 8474.000 Alignment Bushings.
- E. Install trim.

MORTISE BOLT INSTALLATION

When installing mortise bolts, ALWAYS check width of Emergency Release Trim before drilling face bore. Standard bore is .625" (16mm) completely through door. Emergency Release Trim 0406 and 0407 require a .5" (13mm) bore on outside face of door; a .625" (16mm) bore on inside face of door.

IMPORTANT: When Emergency Release Trim is used, the turn piece spindle must be cut to extend no farther than halfway through the bolt.

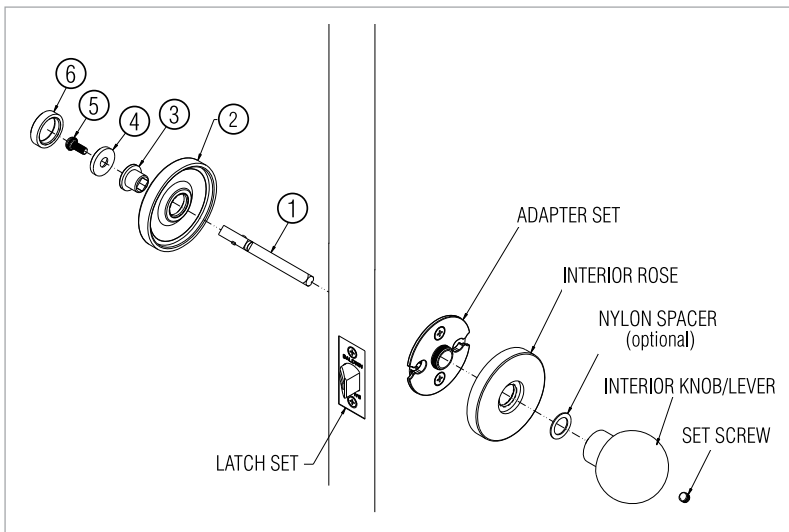
- **Communicating Door Kit:** For use in conjunction with Baldwin patio deadbolt
Includes: swivel spindle, rose and screw cover for oppsite side of Communicating Door
- Function: Security between (hotel) rooms with limited space between doors
- Communicating door side compatible with any LARGE thread-on rose style (5048 rose included)
- Immediate availability in standard Estate finishes

Commonly found between two hotel rooms where a functional latch is still required, and limited space between doors does not allow for trim to be installed on exterior sides.

Security between rooms is accomplished with a standard patio dead bolt. Latch & trim offer normal passage functionality on interior, while completing the aesthetic requirement of a complete trim set on the door.

Door kits include components needed to complete communicating door installation:

- Estate 5048 thread-on passage rose and 0129 screw cover
- Components 1- 6 shown below
- Kits designed to work with standard communicating door thickness of 1.75"
- 6503.009 & 6504.009 adaptor, latch, knob/lever are not included



- | | |
|-------------------|-------------------------|
| 1) 0529.028.T5212 | Swivel Spindle Assembly |
| 2) 5048.xxx.1 | Rose |
| 3) 8480.800.00015 | Alignment Bushing |
| 4) 5084.009.0002 | Back Plate |
| 5) 1141.028.00009 | 10-32 X 1/2 Bolt |
| 6) 0129.XXX | Colonial Screw Cover |

LIST PRICING

SKU	
5187.xxx	\$102



**TUBULAR
HANDLESETS**

Specifications & Standards of Excellence

Estate lock sets are featured in traditional, rustic and contemporary styles in our most popular finishes. Interior latch set designs coordinate beautifully with lockset styles to enable customers to carry a specific design theme throughout the home. Each Estate lockset is packed as a complete set, and is also available by component.

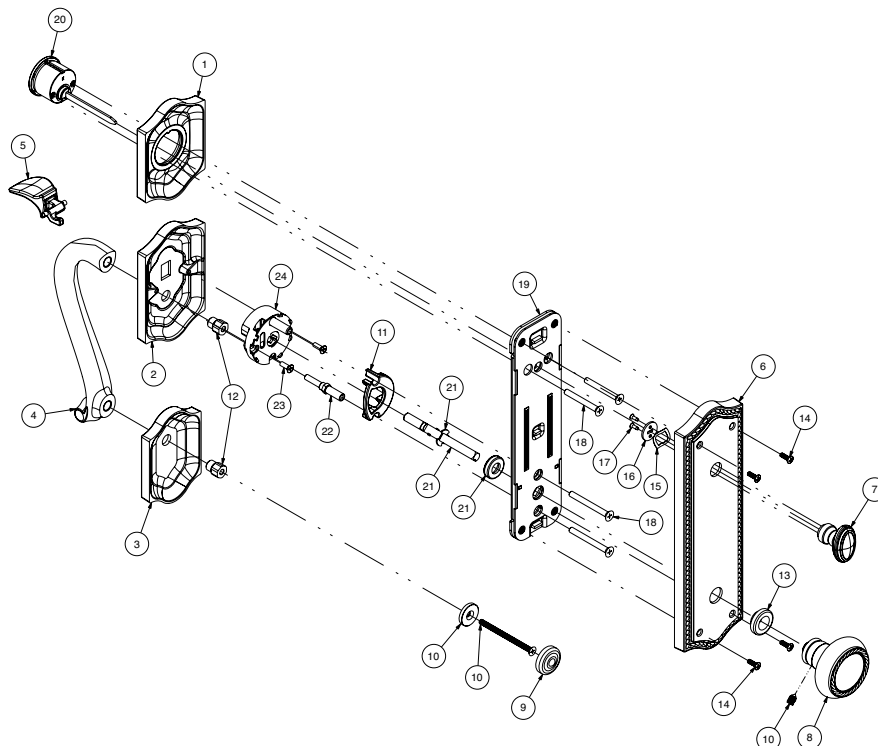
Item	Qty	Part No.	Part Name
1	1	6420.xxx.00052	Cylinder Collar
2	1	6420.xxx.00012	Large Plate
3	1	6420.xxx.00022	Small Plate
4	1	2598.xxx	Door Pull
5	1	5300.xxx.95115	Thumbpiece
6	1	6420.xxx.KT012	Inside Escutcheon
7	1	5350.xxx.00023	Turn Knob
8	1	5064.xxx.IMR	Knob-rope
9	1	0129.xxx.00013	Screw Cover
10	1	5300.000.05205	Fastener Packet (Pull/knob)
11	1	5300.228.97085	Alignment Bracket
12	2	1704.039.00115	Threaded Adaptor
13	1	6747.xxx.00013	Thimble
14	1	1005.xxx.05105	Fastener Packet (Inside Plate)
15	1	5196.109.00005	Wave Washer
16	1	8053.509.00015	Plate-tailpiece
17	2	1117.509.00009	#3-48 X .313" Lg., Fh, Ph, M/s
18	1	5300.000.93505	Fastener Packet (Egress Cartridge)
19	1	5300.000.95505	Rectangular Egress Cartridge Assembly
20	1	8031.xxx.KD22	Cylinder Assembly
21	1	5300.000.93205	Spindle/spacer Packet
22	1	5300.028.99055	Mounting Post
23	2	1009.329.00009	#6-32 X .44" Lg., Fh, Ph, M/s
24	1	5300.000.95995	Thumb Cartridge Assembly

Not Shown On Drawing

25	1	5300.xxx.9	Latch Assembly With Faceplate
26	1	8000.xxx.STR	Strike
27	2	8000.1849.STR35	Dust Box
28	1	8053.xxx.00032	Cylinder Cap
29	1	8208.xxx.DB	Deadbolt Assembly (Egress)
30	1	8510.xxx.01135	T-strike
31	1	1013.221.05275	Fastener Packet (Strike)
32	1	1421.xxx.TSTR	Fastener Packet (Strike)
33	1	2510.xxx.05105	Fastener Packet (Latch And Deadbolt)
34	1	Pk.6415	Installation Instructions
35	1	Pk.1082	Estate Strike Marking Template
36	1	Pk.1215	Estate Marking Template
37	1	Pk.1149T	Lifetime Limited Finish/mechanical Warranty

Mechanical Features – Escutcheon Trim Lock sets

- **SOLID BRASS:** Entrance handle, escutcheon, knob, rose and turn piece are manufactured of solid brass for maximum strength and durability.
- **INSTALLATION:** Lock sets are designed for easy installation in standard pre-bored wood or metal doors. The adaptor aligns the latch with the trim. Graphic instructions make installation FAST!
- **FULLY REVERSIBLE:** Accommodates all door conditions and facilitates installation.
- **DOOR THICKNESS:** Lock sets accommodate a door thickness of 1.75" (44mm). Conversion kit available for 2.0" (51mm) and 2.25" (57mm) thick doors (see price list for details).
- **CASE:** Deadbolt and latch case are formed of steel for strength. Most interior working parts are made of solid brass or zinc chromate plated steel for maximum strength and smooth operation.
- **BACKSET:** Adjustable backset 2.375" (60mm), 2.75" (70mm) latch and deadbolt supplied standard.
- **SQUARE CORNER FACE PLATE:** Deadbolt and latch supplied with a 1" (25mm) face plate.
- **STRIKE:** Deadbolt is furnished with a specially designed reinforcing strike constructed of high grade steel for ultimate strength and durability. The strike is installed with two (2) 3" (76mm) security jamb screws and a dust box. The security strike is covered with an armored front to conceal the fasteners. Latches are supplied standard with a box strike (other strikes are available at an additional charge).
- **DISTANCE BETWEEN CENTER OF LATCH AND DEADBOLT (CTC):** Lockset accommodates 5.5" (140mm) center to center dimension ONLY.
- **BOLT:** Deadbolt and latch bolt constructed of solid brass. Deadbolt has 1" (25mm) throw when extended and a hardened steel insert for for maximum protection and security. Latch bolt has a .5" (13mm) throw when extended to fully engage the door jamb.
- **CYLINDER:** Cylinder supplied with 5-pin C Keyway.
- **KEYS:** Designed with a 1.25" (32mm) wide bow surface to facilitate ease of use for those with physical challenges.
- Numerous patents, copyrights, and trademarks are held by the Corporation to protect the integrity and reputation of our distinctive line of hardware appointments.



TUBULAR
HANDLESETS

ALL ENTRANCE LOCK SETS:

SOLID BRASS: Entrance handle, cylinder collar, knob, rose and turn piece are manufactured of solid brass for maximum strength and durability.

INSTALLATION: Estate lock sets are designed for easy installation in standard pre-bored wood or metal doors. The adaptor aligns the latch with the trim. Graphic instructions make installation FAST!

DOOR THICKNESS: Lock sets accommodate a door thickness of 1-3/4" (44mm). Conversion kit available for 2" (51mm) and 2-1/4" (57mm) thick doors at an additional charge.

CASE: Deadbolt and latch case are formed of steel for strength. Most interior working parts are made of solid brass or steel for maximum strength and smooth operation.

BACKSET: Adjustable backset 2-3/8" (60mm) or 2-3/4" (70mm) latch and deadbolt supplied standard.

FACE PLATE: Deadbolt and latch supplied with a 1" (25mm) face plate.

STRIKE: Deadbolt is furnished with a specially designed reinforcing strike constructed of high grade steel for ultimate strength and durability. The strike is installed with two (2) 3" (76mm) security jamb screws and a dust box. The security strike is covered with an armored front to conceal the fasteners. The 3" screws securing the inside face of the double cylinder deadbolt resist tampering and guard against theft. Latches are supplied standard with a full lip strike (other strikes are available at an additional charge.)

BOLT: Deadbolt and latch bolt are constructed of solid brass. Deadbolt has 1" (25mm) throw when extended and a hardened steel insert for maximum protection and security. Latch bolt has a .5" (13mm) throw when extended to fully engage the door jamb.

KEYS: Designed with a 1-1/4" (32mm) wide bow surface.

PACKAGING: All products are packaged in contractor packaging unless noted.

SPLIT FINISH available. Please contact customer service for special order instructions.

SECTIONAL TRIM LOCK SETS:

FULLY REVERSIBLE: Accommodates most door conditions and facilitates installation.

DOOR THICKNESS: Lock sets accommodate a door thickness of 1-3/4" (44mm). Conversion kit available for 2" (51mm) and 2-1/4" (57mm) thick doors at an additional charge.

DISTANCE BETWEEN CENTER OF LATCH AND DEADBOLT (CTC): Lockset accommodates any center-to-center dimension greater than 4-3/8" (111mm).

CYLINDER: Cylinder supplied with 5-pin C Keyway. Cylinder is protected with a free-turning cylinder guard to resist gripping or twisting.

DOOR PREP: Designed to fit 2-1/8" face bore with no additional hardware.

ESCUTCHEON TRIM LOCK SETS:

FULLY REVERSIBLE: Accommodates most door conditions and facilitates installation.

DOOR THICKNESS: Lock sets accommodate a door thickness of 1-3/4" (44mm). Conversion kit available for 2" (51mm) and 2-1/4" (57mm) thick doors at an additional charge (see price list for details).

DISTANCE BETWEEN CENTER OF LATCH AND DEADBOLT(CTC): Lockset accommodates a 5 1/2" (140mm) center-to-center dimension ONLY.

CYLINDER: Cylinder supplied with 5-pin C Keyway.

EMERGENCY EGRESS TUBULAR ENTRANCE LOCK SETS:

EMERGENCY EGRESS: Handleset which retracts the latchbolt and deadbolt simultaneously when the inside knob/lever is turned. Door will remain unlocked unless locked with a key.

CARTRIDGE: Case and interior working parts are formed of heavy gauge steel, zinc chromate plated and lubricated for maximum strength and smooth operation.

FULLY REVERSIBLE: Accommodates most door conditions and facilitates installation.

DOOR THICKNESS: Lock sets accommodate a door thickness of 1-3/4" (44mm). Conversion kit available for 2" (51mm) and 2-1/4" (57mm) thick doors at an additional charge.

DISTANCE BETWEEN CENTER OF LATCH AND DEADBOLT (CTC): Lockset accommodates 5 1/2" center-to-center dimension ONLY.

CYLINDER: Cylinder supplied with 5-pin C Keyway.

IMPORTANT: Emergency egress entrance lock sets are designed for use with all Estate knobs or levers.

TWO-POINT LOCK SETS:

DOOR THICKNESS: Lock sets accommodate a door thickness of 1-3/4"(44mm) to 2" (51mm). Cannot be installed on doors thicker than 2"(51mm).

DISTANCE BETWEEN CENTER OF LATCH AND DEADBOLT (CTC): Lockset accommodates any center-to-center dimension greater than 4-3/4" (121mm).

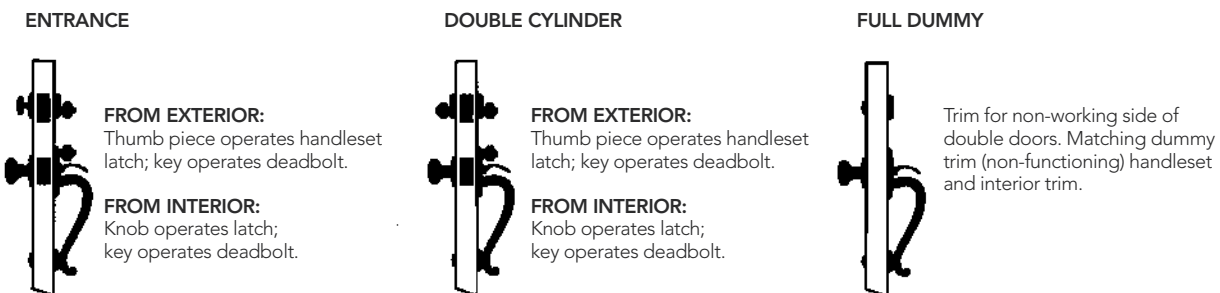
CYLINDER: Cylinder supplied with 5-pin C Keyway. Cylinder is protected with a free-turning cylinder guard to resist gripping or twisting.

DOOR PREP: Designed to fit 2-1/8" face bore with a 3-hole prep.

NOTE: When installing a two-point handleset on a door prepped for a standard single point handleset with a 5 1/2" CTC boring, the location of the thumb piece will be approximately 2 1/2" lower.

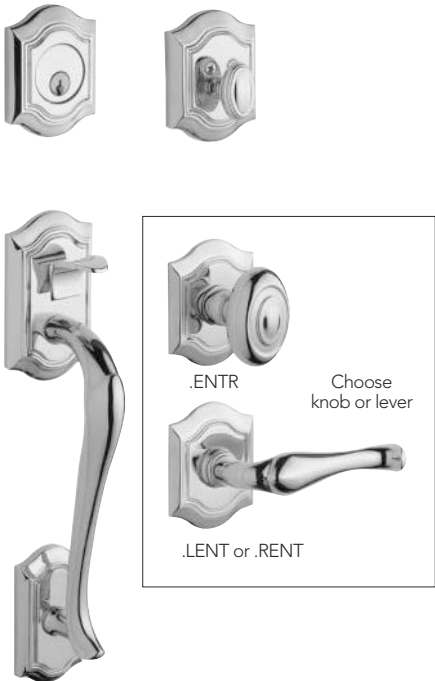
Numerous patents, copyrights, and trademarks are held by the Corporation to protect the integrity and reputation of our distinctive line of hardware appointments.

Functions Available



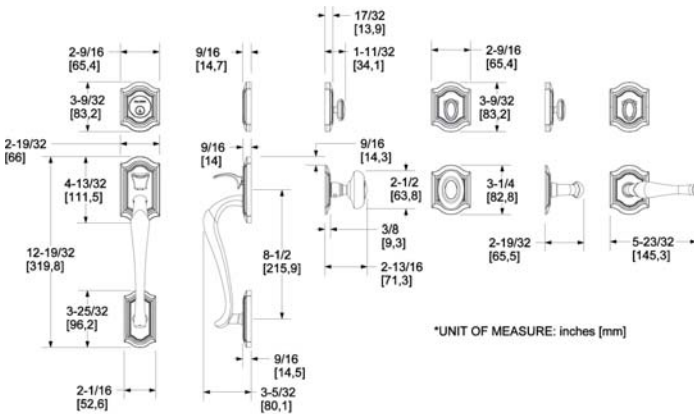
Bethpage® Sectional Trim
w/ 5077 Bethpage Knob or 5447V Bethpage Lever

003, 031, 033, 044
050, 055, 056, 060
076, 102, 112,
190, 260, 402



Item #	Description	Wt.	
85327.xxx.ENTR	Single cylinder handleset with interior knob	5.8	\$580
85327.xxx.DBLC	Double cylinder handleset with interior knob	6.1	\$620
85327.xxx.FD	Full dummy set with interior knob	4.6	\$493
85327.xxx.RENT	Single cylinder handleset with lever – RH Entry	6.8	\$580
85327.xxx.LENT	Single cylinder handleset with lever – LH Entry	6.8	\$580
85327.xxx.RDBL	Double cylinder handleset with lever – RH Entry	7.1	\$620
85327.xxx.LDBL	Double cylinder handleset with lever – LH Entry	7.1	\$620
85327.xxx.RFD	Full dummy set with lever – RH Dummy	5.6	\$493
85327.xxx.LFD	Full dummy set with lever – LH Dummy	5.6	\$493

NOTE: Active THK Door Kit: 5399.xxx.A, Dummy THK Door Kit: 5399.xxx.D, & Replacement Cylinder: 8031.xxx.KD12.



TUBULAR
HANDLESSETS

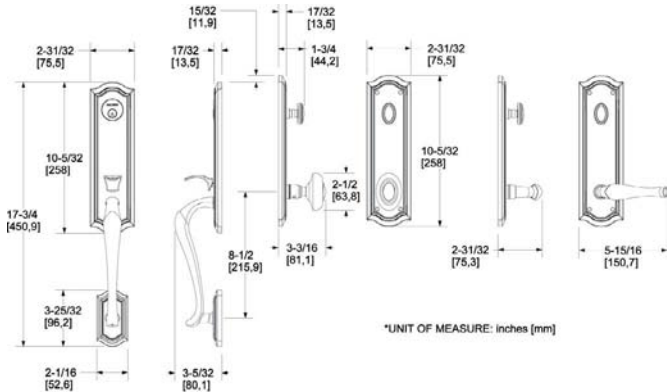
Bethpage® Emergency Egress Handleset
w/ 5077 Bethpage Knob or 5447V Bethpage Lever

003, 031, 033, 044
050, 055, 056, 060
076, 102, 112,
190, 260, 402



Item #	Description	Wt.	
85337.xxx.ENTR	Single cylinder handleset with interior knob, emergency egress	6.8	\$795
85337.xxx.FD	Full dummy set with interior knob	5.4	\$676
85337.xxx.RENT	Single cylinder handleset w/ lever, emergency egress – RH Entry	7.8	\$795
85337.xxx.LENT	Single cylinder handleset w/ lever, emergency egress – LH Entry	7.8	\$795
85337.xxx.RFD	Full dummy set with lever – RH Dummy	6.2	\$676
85337.xxx.LFD	Full dummy set with lever – LH Dummy	6.2	\$676

NOTE: Active THK Door Kit: 5399.xxx.C, Dummy THK Door Kit: 5399.xxx.D, & Replacement Cylinder: 8031.xxx.KD22.



*QUICK SHIP is available in functions and finishes shown in red.

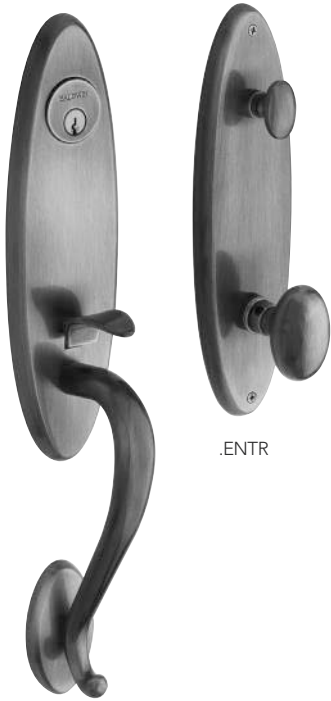
ENTRANCE SETS, TUBULAR

Blakely Emergency Egress Handleset

w/ 5025 Egg Knob

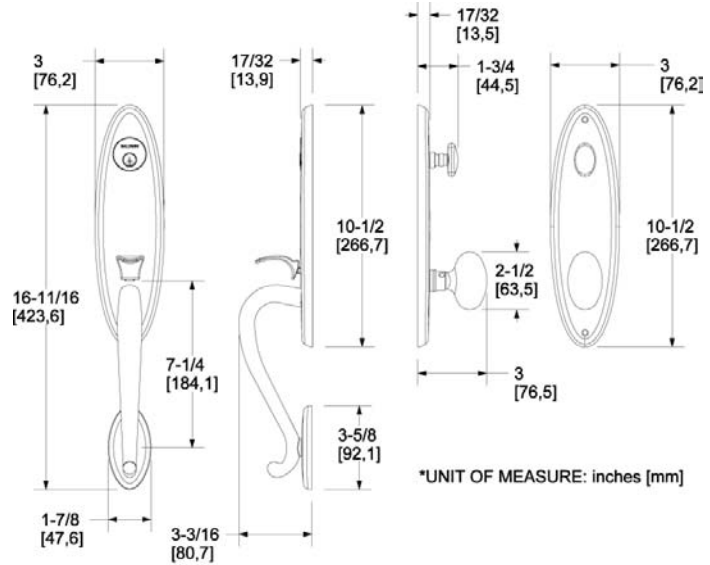
003, 031, 033, 044
050, 055, 056, 060
076, 102, 112,
190, 260, 402

TUBULAR
HANDLESETS



Item #	Description	Wt.	
85360.xxx.ENTR	Single cylinder handleset with interior knob	6.8	\$795
85360.xxx.FD	Full dummy set with interior knob	5.1	\$676

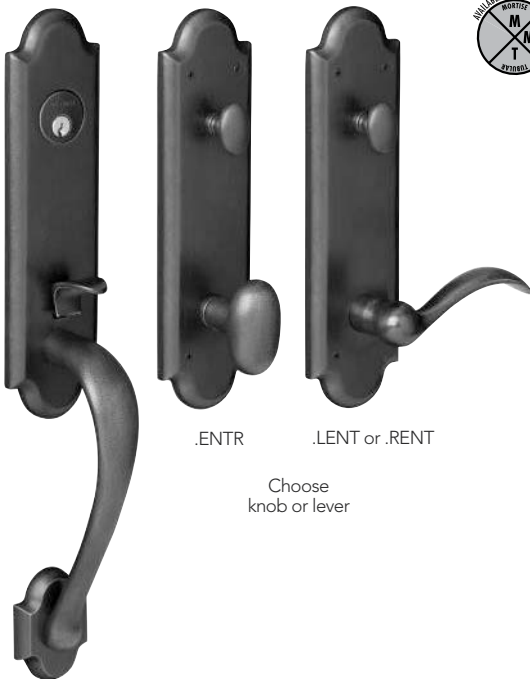
NOTE: Active THK Door Kit: 5399.xxx.C, Dummy THK Door Kit: 5399.xxx.D, & Replacement Cylinder: 8031.xxx.KD22.



Boulder 3/4 Escutcheon Handleset Emergency Egress

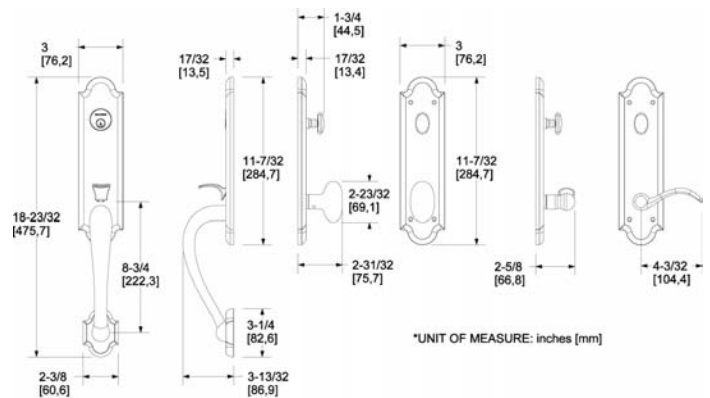
w/ 5024 Oval Knob or 5452V Beavertail Lever

003, 031, 033, 044
050, 055, 056, 060
076, 102, 112,
190, 260, 402



Item #	Description	Wt.	
85354.xxx.ENTR	Single cylinder handleset with interior knob, emergency egress	7.3	\$795
85354.xxx.FD	Full dummy set with interior knob	5.7	\$676
85354.xxx.RENT	Single cylinder handleset w/ lever, emergency egress – RH Entry	7.3	\$795
85354.xxx.LENT	Single cylinder handleset w/ lever, emergency egress – LH Entry	7.3	\$795
85354.xxx.RFD	Full dummy set with lever – RH Dummy	5.7	\$676
85354.xxx.LFD	Full dummy set with lever – LH Dummy	5.7	\$676

NOTE: Active THK Door Kit: 5399.xxx.C, Dummy THK Door Kit: 5399.xxx.D, & Replacement Cylinder: 8031.xxx.KD22.

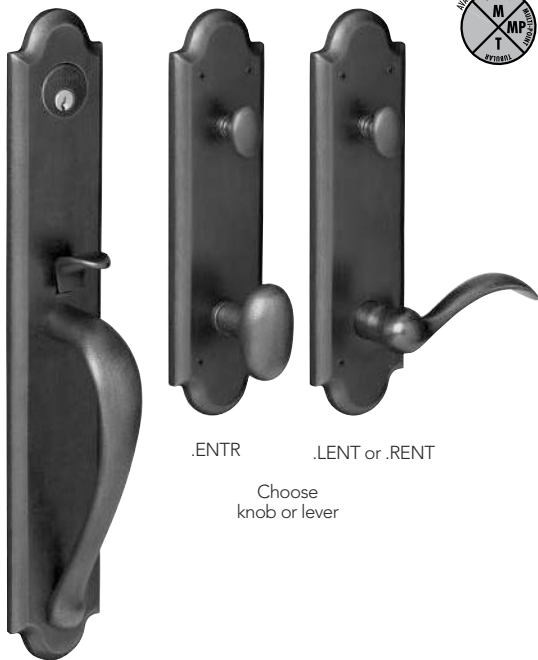


*QUICK SHIP is available in functions and finishes shown in red.

Boulder Full Escutcheon Handleset Emergency Egress

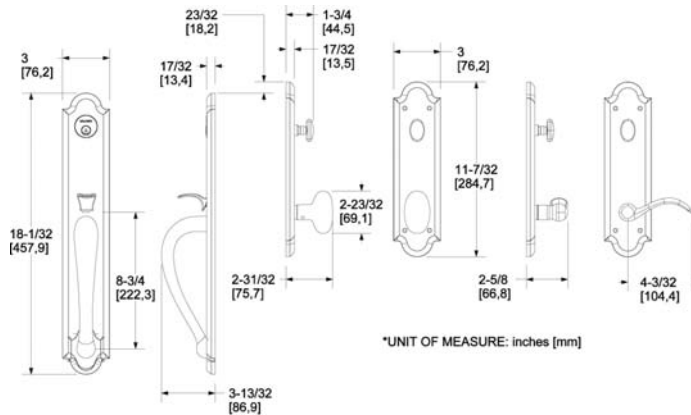
w/ 5024 Oval Knob or 5452V Beavertail Lever

003, 031, 033, 044
050, 055, 056, 060
076, 102, 112,
190, 260, 402



Item #	Description	Wt.	
6402.xxx.ENTR	Single cylinder handleset with interior knob, emergency egress	9.2	\$900
6402.xxx.FD	Full dummy set with interior knob	7.2	\$790
6402.xxx.RENT	Single cylinder handleset w/ lever, emergency egress – RH Entry	9.2	\$900
6402.xxx.LENT	Single cylinder handleset w/ lever, emergency egress – LH Entry	9.2	\$900
6402.xxx.RFD	Full dummy set with lever – RH Dummy	7.2	\$790
6402.xxx.LFD	Full dummy set with lever – LH Dummy	7.2	\$790

NOTE: Active THK Door Kit: 5399.xxx.C, Dummy THK Door Kit: 5399.xxx.D, & Replacement Cylinder: 8031.xxx.KD22.

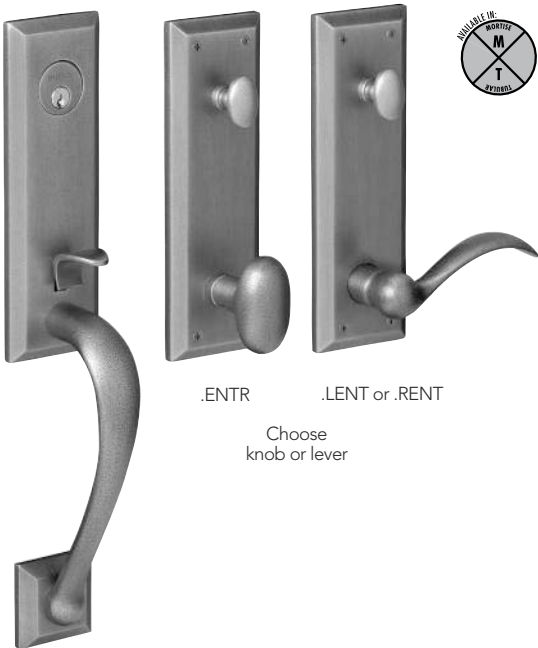


TUBULAR
HANDLESETS

Cody ¾ Escutcheon Handleset Emergency Egress

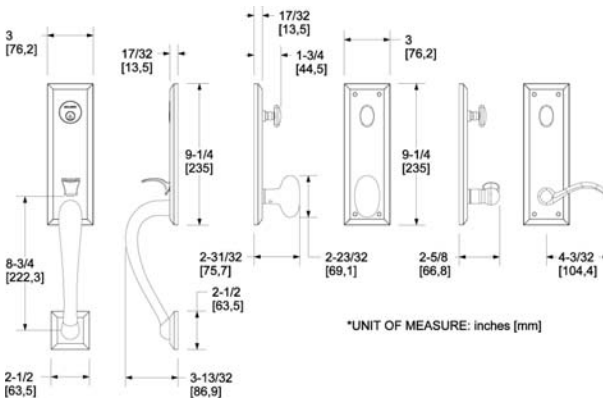
w/ 5024 Oval Knob or 5452V Beavertail Lever

003, 031, 033, 044
050, 055, 056, 060
076, 102, 112,
190, 260, 402



Item #	Description	Wt.	
85352.xxx.ENTR	Single cylinder handleset with interior knob, emergency egress	7.3	\$795
85352.xxx.FD	Full dummy set with interior knob	5.7	\$676
85352.xxx.RENT	Single cylinder handleset w/ lever, emergency egress – RH Entry	7.3	\$795
85352.xxx.LENT	Single cylinder handleset w/ lever, emergency egress – LH Entry	7.3	\$795
85352.xxx.RFD	Full dummy set with lever – RH Dummy	5.7	\$676
85352.xxx.LFD	Full dummy set with lever – LH Dummy	5.7	\$676

NOTE: Active THK Door Kit: 5399.xxx.C, Dummy THK Door Kit: 5399.xxx.D, & Replacement Cylinder: 8031.xxx.KD22.



*QUICK SHIP is available in functions and finishes shown in red.

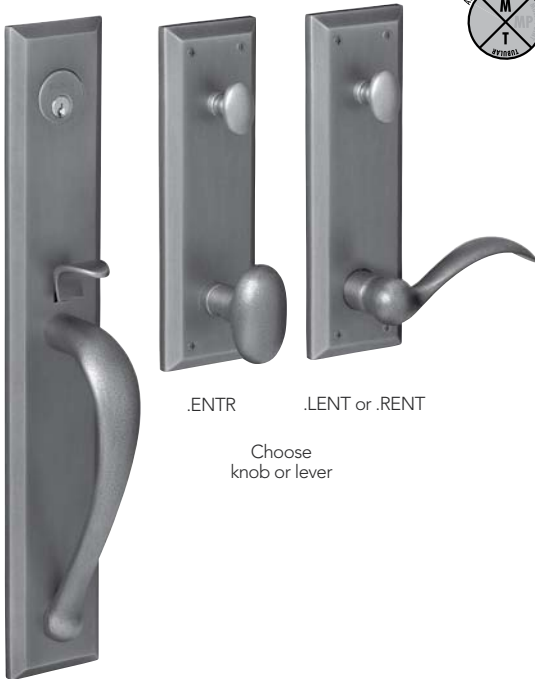
ENTRANCE SETS, TUBULAR

Cody Full Escutcheon Handleset Emergency Egress

w/ 5024 Oval Knob or 5452V Beavertail Lever

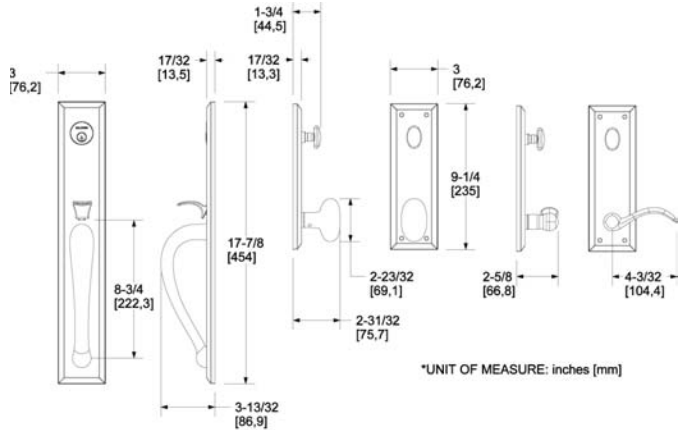
003, 031, 033, 044
050, 055, 056, 060
102, 112,
190, 260, 402

TUBULAR
HANDLESETS



Item #	Description	Wt.	
6403.xxx.ENTR	Single cylinder handleset with interior knob, emergency egress	9.2	\$900
6403.xxx.FD	Full dummy set with interior knob	7.2	\$790
6403.xxx.RENT	Single cylinder handleset w/ lever, emergency egress – RH Entry	9.2	\$900
6403.xxx.LENT	Single cylinder handleset w/ lever, emergency egress – LH Entry	9.2	\$900
6403.xxx.RFD	Full dummy set with lever – RH Dummy	7.2	\$790
6403.xxx.LFD	Full dummy set with lever – LH Dummy	7.2	\$790

NOTE: Active THK Door Kit: 5399.xxx.C, Dummy THK Door Kit: 5399.xxx.D, & Replacement Cylinder: 8031.xxx.KD22.



*UNIT OF MEASURE: inches [mm]

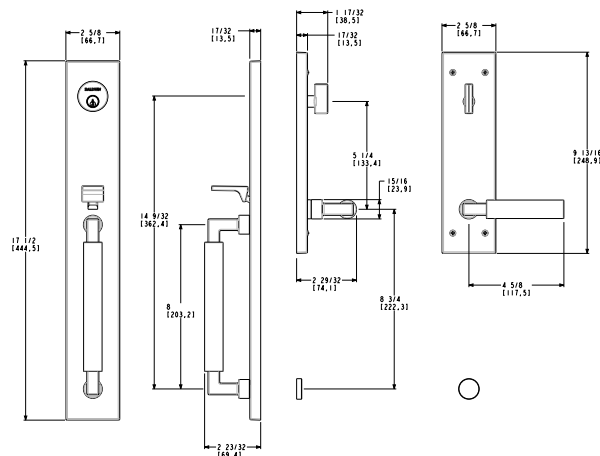
Gramery Full Escutcheon Handleset Emergency Egress w/ L029 Lever

003, 031, 033, **044**
M01, M02, M03,
050, **055, 056, 060**
M04, M05, M06,
076, 102, 112,
M07, M08, M09,
M10
190, 260, 402



Item #	Description	Wt.		
85316.xxx.RENT	Single cylinder handleset w/lever, emergency egress-RH Entry	14.1	\$961	\$1,057
85316.xxx.LENT	Single cylinder handleset w/lever, emergency egress-LH Entry	14.1	\$961	\$1,057
85316.xxx.RFD	Full dummy set with lever - RH Dummy	12	\$867	\$954
85316.xxx.LFD	Full dummy set with lever - LH Dummy	12	\$867	\$954
85316.xxx.ENTRX	Single cylinder handleset minus lever	14.2	\$928	\$1,021
85316.xxx.FDX	Full dummy set minus lever	11.1	\$830	\$912

NOTE: Active THK Door Kit 5399.xxx.C, Dummy THK Door Kit 5399.xxx.D, & Replacement Cylinder 8031.xxx.KD22



*QUICK SHIP is available in functions and finishes shown in red.

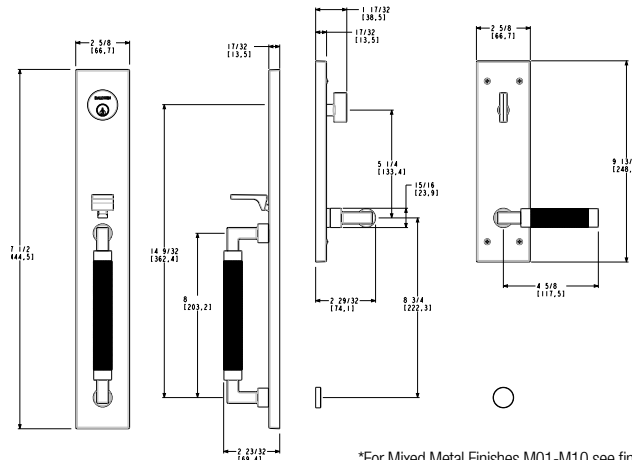
*For Mixed Metal Finishes M01-M10 see finish chart on page 50

Gramercy Knurled Full Escutcheon
Handleset Emergency Egress w/ L030 Lever



Item #	Description	Wt.	003, 031, 033, 044 050, 055, 056, 060 076, 102, 112, 190, 260, 402	M01, M02, M03, M04, M05, M06, M07, M08, M09, M10
85317.xxx.RENT	Single cylinder handleset w/ lever, emergency egress – RH Entry	14.1	\$1,009	\$1,105
85317.xxx.LENT	Single cylinder handleset w/ lever, emergency egress – LH Entry	14.1	\$1,009	\$1,105
85317.xxx.RFD	Full dummy set with lever – RH Dummy	12	\$910	\$997
85317.xxx.LFD	Full dummy set with lever – LH Dummy	12	\$910	\$997
85317.xxx.ENTRX	Single cylinder handleset minus lever	14.2	\$947	\$1043
85317.xxx.FDX	Full dummy set minus lever	11.1	\$871	\$958

NOTE: Active THK Door Kit 5399.xxx C, Dummy THK Door Kit 5399.xxx.D, & Replacement Cylinder 8031.xxx.KD22



*For Mixed Metal Finishes M01-M10 see finish chart on page 50

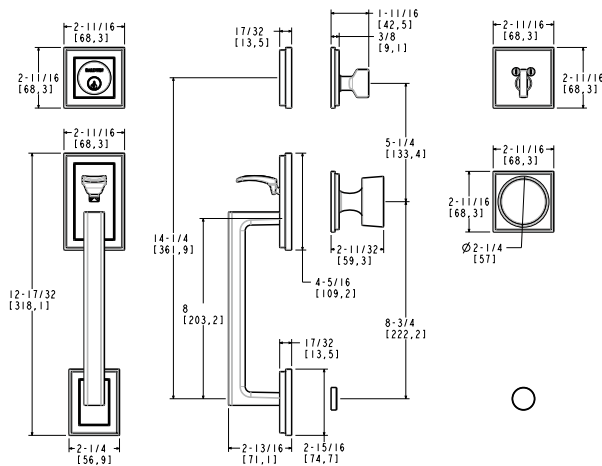
TUBULAR
HANDLESETS

Hollywood Hills Sectional Trim
w/ K008 Knob



Item #	Description	Wt.	003, 031, 033, 044 050, 055, 056, 060 076, 102, 112, 190, 260, 402
85310.xxx.ENTR	Single cylinder handleset with knob	7	\$632
85310.xxx.DBLC	Double cylinder handleset w/ knob	7	\$663
85310.xxx.FD	Full dummy set with knob	6	\$536
85310.xxx.ENTRX	Single cylinder handleset minus knob		\$568
85310.xxx.FDX	Full dummy minus knob		\$473

NOTE: Active THK Door Kit: 5399.xxx.A, Dummy THK Door Kit: 5399.xxx.D, & Replacement Cylinder: 8031.xxx.KD12.



*UNIT OF MEASURE: inches [mm]

ENTRANCE SETS, TUBULAR

Hollywood Hills Full Escutcheon Handleset

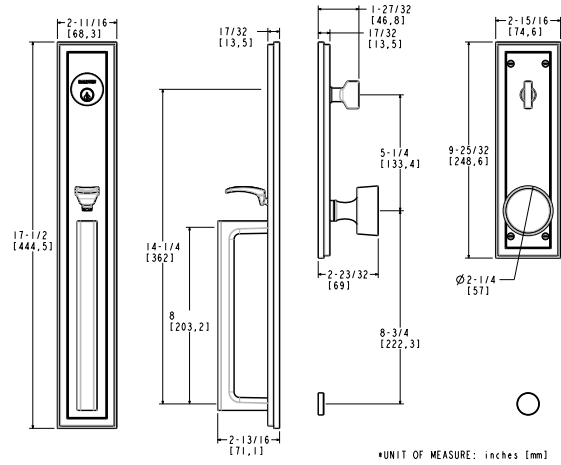
Emergency Egress w/ K008 Knob

003, 031, 033, 044
050, 055, 056, 060
076, 102, 112,
190, 260, 402



Item #	Description	Wt.	
85311.xxx.ENTR	Single cylinder handleset with knob	7.3	\$961
85311.xxx.FD	Full dummy set with knob	5.7	\$867
85311.xxx.ENTRX	Single cylinder handleset minus knob		\$899
85311.xxx.FDX	Full dummy minus knob		\$805

NOTE: Active THK Door Kit: 5399.xxx.C, Dummy THK Door Kit: 5399.xxx.D, & Replacement Cylinder: 8031.xxx.KD22.



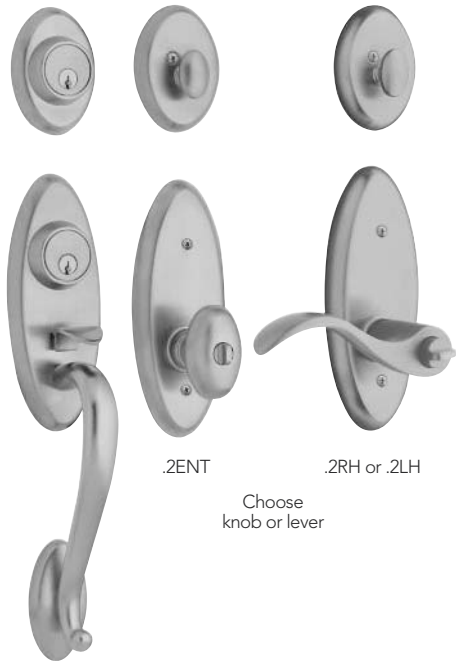
TUBULAR
HANDLESETS

*QUICK SHIP is available in functions and finishes shown in red.

Landon® Two-Point Lock Handleset 

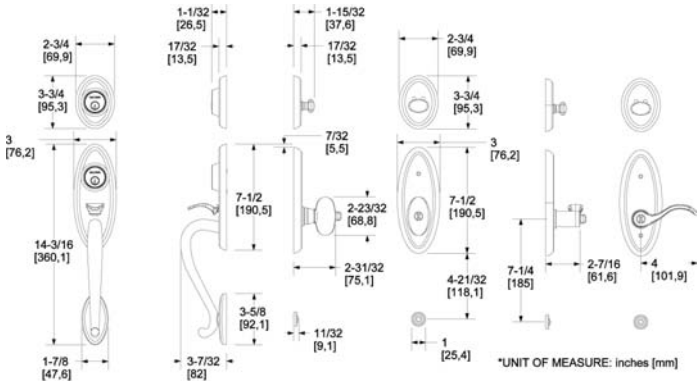
w/ 5225 Egg Knob or 5255 Wave Lever

003, 031, 033, 044
050, 055, 056, 060
076, 102, 112,
190, 260, 402



Item #	Description	Wt.	
85345.xxx.2ENT	Single cylinder handleset with interior knob	8.8	\$795
85345.xxx.2DC	Double cylinder handleset with interior knob	8.6	\$835
85345.xxx.2FD	Full dummy set with interior knob	8.1	\$676
85345.xxx.2RH	Single cylinder handleset with lever – RH Entry	8.3	\$795
85345.xxx.2LH	Single cylinder handleset with lever – LH Entry	8.3	\$795
85345.xxx.2DCR	Double cylinder handleset with lever – RH Entry	8.1	\$835
85345.xxx.2DCL	Double cylinder handleset with lever – LH Entry	8.1	\$835
85345.xxx.2RFD	Full dummy set with lever – RH Dummy	7.7	\$676
85345.xxx.2LFD	Full dummy set with lever – LH Dummy	7.7	\$676

NOTE: Designed to fit 1-3/4" to 2" thick doors with 2-1/8" face bore with 3-hole prep.



TUBULAR
HANDLESETS

*QUICK SHIP is available in functions and finishes shown in red.

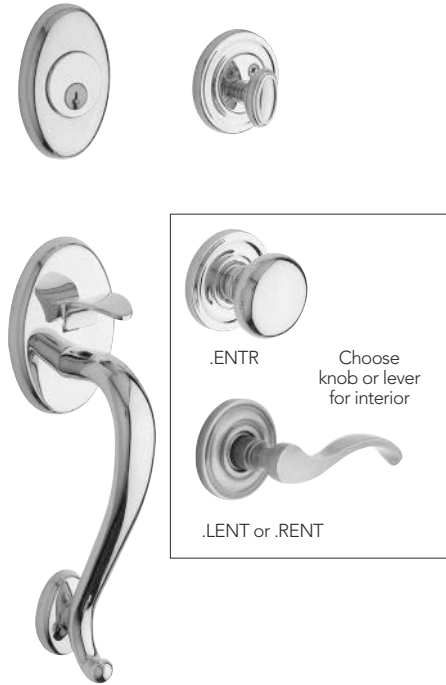
ENTRANCE SETS, TUBULAR

Logan Sectional Trim

w/ 5015 Classic Knob or 5455V Wave Lever

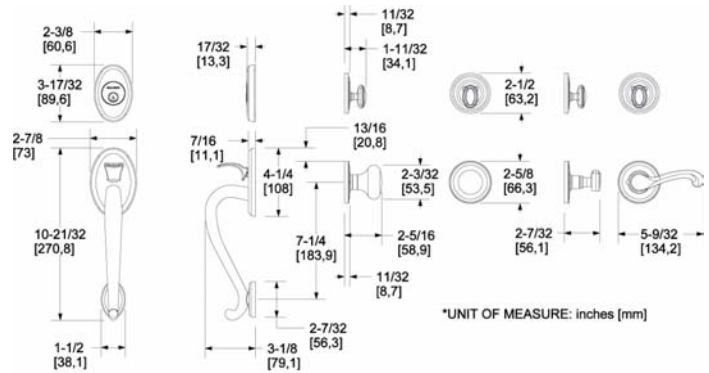
003, 031, 033, 044
050, 055, 056, 060
076, 102, 112,
190, 260, 402

TUBULAR
HANDLESETS



Item #	Description	Wt.	
85315.xxx.ENTR	Single cylinder handleset with interior knob	5.7	\$580
85315.xxx.DBLC	Double cylinder handleset with interior knob	5.8	\$620
85315.xxx.FD	Full dummy set with interior knob	4.3	\$493
85315.xxx.RENT	Single cylinder handleset with lever – RH Entry	6.7	\$580
85315.xxx.LENT	Single cylinder handleset with lever – LH Entry	6.7	\$580
85315.xxx.RDBL	Double cylinder handleset with lever – RH Entry	6.8	\$620
85315.xxx.LDBL	Double cylinder handleset with lever – LH Entry	6.8	\$620
85315.xxx.RFD	Full dummy set with lever – RH Dummy	5.3	\$493
85315.xxx.LFD	Full dummy set with lever – LH Dummy	5.3	\$493

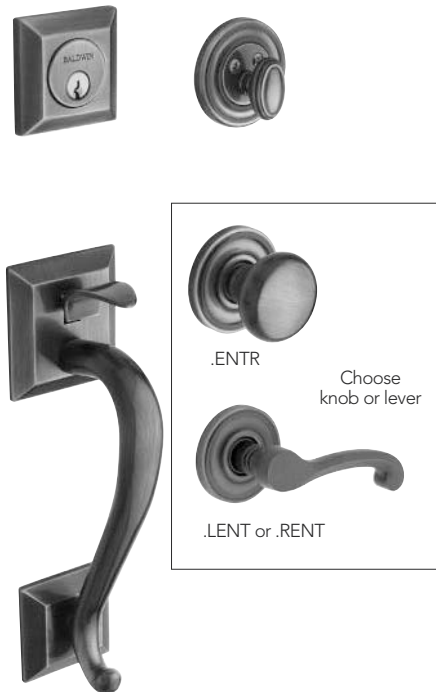
NOTE: Active THK Door Kit: 5399.xxx.A, Dummy THK Door Kit: 5399.xxx.D, & Replacement Cylinder: 8031.xxx.KD12.



Madison® Sectional Trim

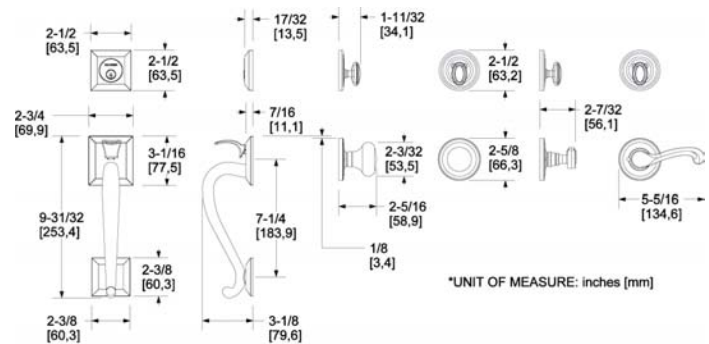
w/ 5015 Classic Knob or 5445V Classic Lever

003, 031, 033, 044
050, 055, 056, 060
076, 102, 112,
190, 260, 402



Item #	Description	Wt.	
85320.xxx.ENTR	Single cylinder handleset with interior knob	5.6	\$580
85320.xxx.DBLC	Double cylinder handleset with interior knob	5.9	\$620
85320.xxx.FD	Full dummy set with interior knob	4.2	\$493
85320.xxx.RENT	Single cylinder handleset with lever – RH Entry	6.6	\$580
85320.xxx.LENT	Single cylinder handleset with lever – LH Entry	6.6	\$580
85320.xxx.RDBL	Double cylinder handleset with lever – RH Entry	6.9	\$620
85320.xxx.LDBL	Double cylinder handleset with lever – LH Entry	6.9	\$620
85320.xxx.RFD	Full dummy set with lever – RH Dummy	5.2	\$493
85320.xxx.LFD	Full dummy set with lever – LH Dummy	5.2	\$493

NOTE: Active THK Door Kit: 5399.xxx.A, Dummy THK Door Kit: 5399.xxx.D, & Replacement Cylinder: 8031.xxx.KD12.



*QUICK SHIP is available in functions and finishes shown in red.

Manchester Emergency Egress Handleset 
w/ 5455V Wave Lever

003, 031, 033, 044
050, 055, 056, 060
076, 102, 112,
190, 260, 402

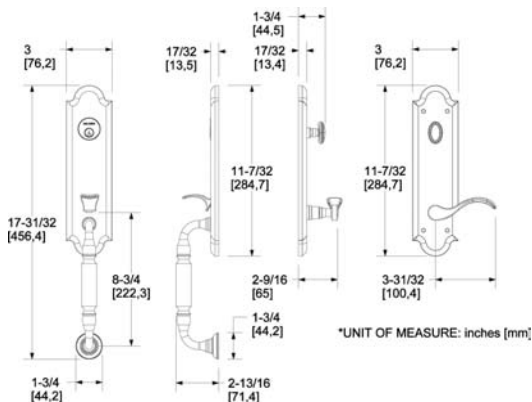


.LENT or .RENT



Item #	Description	Wt.	
85350.xxx.ENTRX	Single cylinder handleset less lever, emergency egress-active	5.7	\$730
85350.xxx.FDX	Full dummy set less lever - inactive	4.3	\$615
85350.xxx.RENT	Single cylinder handleset w/ lever, emergency egress – RH Entry	8.3	\$795
85350.xxx.LENT	Single cylinder handleset w/ lever, emergency egress – LH Entry	8.3	\$795
85350.xxx.RFD	Full dummy set with lever – RH Dummy	6.2	\$676
85350.xxx.LFD	Full dummy set with lever – LH Dummy	6.2	\$676

NOTE: Active THK Door Kit: 5399.xxx.C, Dummy THK Door Kit: 5399.xxx.D, & Replacement Cylinder: 8031.xxx.KD22.



TUBULAR
HANDLESETS

Minneapolis® Sectional Trim 
w/ 5162 Lever

003, 031, 033, 044
050, 055, 056, 060
076, 102, 112,
190, 260, 402

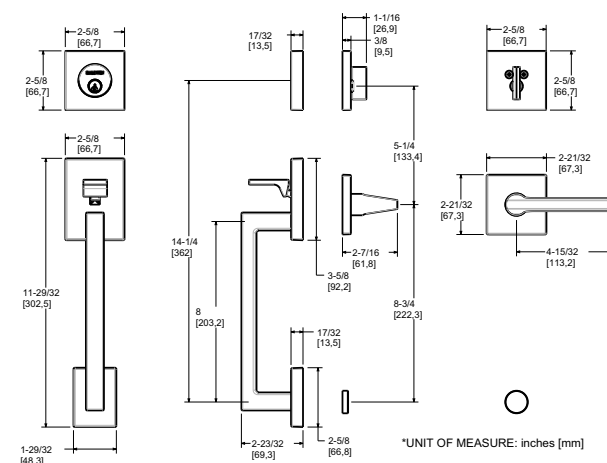


.LENT or .RENT



Item #	Description	Wt.	
85390.xxx.RENT	Single cylinder handleset with lever – RH Entry	6.8	\$632
85390.xxx.LENT	Single cylinder handleset with lever – LH Entry	6.8	\$632
85390.xxx.RDBL	Double cylinder handleset w/ Lever – RH Entry	7.2	\$676
85390.xxx.LDBL	Double cylinder handleset w/ Lever – LH Entry	7.2	\$676
85390.xxx.RFD	Full dummy set with lever – RH Dummy	5.6	\$536
85390.xxx.LFD	Full dummy set with lever – LH Dummy	5.6	\$536
85390.xxx.ENTRX	Single cylinder handleset minus lever		\$568
85390.xxx.FDX	Full dummy minus lever		\$473

NOTE: Active THK Door Kit: 5399.xxx.A, Dummy THK Door Kit: 5399.xxx.D, & Replacement Cylinder: 8031.xxx.KD12.



*QUICK SHIP is available in functions and finishes shown in red.

ENTRANCE SETS, TUBULAR

Minneapolis™ ¾ Escutcheon Handleset Emergency Egress w/ 5162 Lever

003, 031, 033, 044
050, 055, 056, 060
076, 102, 112,
190, 260, 402

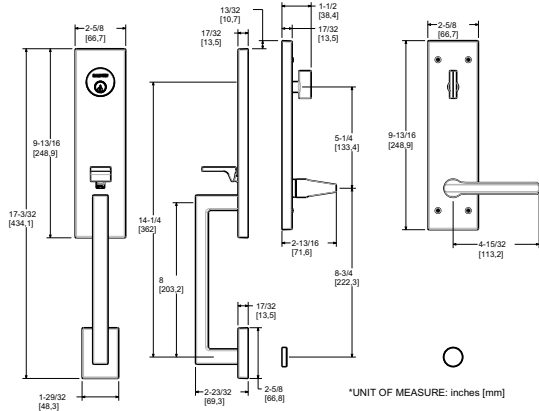


.LENT or .RENT



Item #	Description	Wt.	
85391.xxx.RENT	Single cylinder handleset w/ lever, emergency egress – RH Entry	7.3	\$795
85391.xxx.LENT	Single cylinder handleset w/ lever, emergency egress – LH Entry	7.3	\$795
85391.xxx.RFD	Full dummy set with lever – RH Dummy	5.7	\$676
85391.xxx.LFD	Full dummy set with lever – LH Dummy	5.7	\$676
85391.xxx.ENTRX	Single cylinder handleset minus lever		\$730
85391.xxx.FDX	Full dummy set minus lever		\$615

NOTE: Active THK Door Kit: 5399.xxx.C, Dummy THK Door Kit: 5399.xxx.D, & Replacement Cylinder: 8031.xxx.KD22.



TUBULAR
HANDLESETS

Minneapolis™ Full Escutcheon Handleset Emergency Egress w/ 5162 Lever

003, 031, 033, 044
050, 055, 056, 060
076, 102, 112,
190, 260, 402

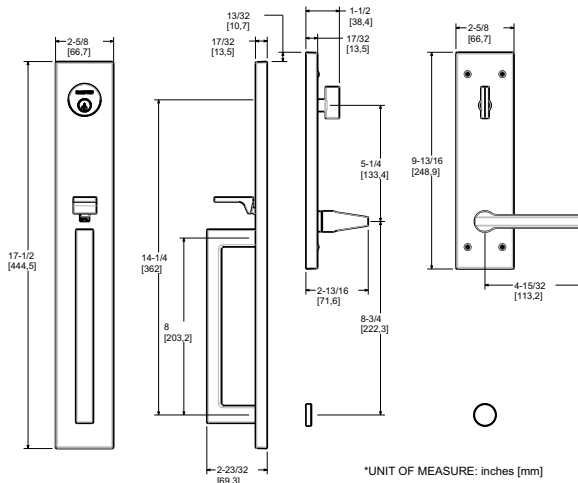


.LENT or .RENT



Item #	Description	Wt.	
85392.xxx.RENT	Single cylinder handleset w/ lever, emergency egress – RH Entry	9.2	\$900
85392.xxx.LENT	Single cylinder handleset w/ lever, emergency egress – LH Entry	9.2	\$900
85392.xxx.RFD	Full dummy set with lever – RH Dummy	7.2	\$790
85392.xxx.LFD	Full dummy set with lever – LH Dummy	7.2	\$790
85392.xxx.ENTRX	Single cylinder handleset minus lever		\$837
85392.xxx.FDX	Full dummy set minus lever		\$727

NOTE: Active THK Door Kit: 5399.xxx.C, Dummy THK Door Kit: 5399.xxx.D, & Replacement Cylinder: 8031.xxx.KD22.



*QUICK SHIP is available in functions and finishes shown in red.

Palm Springs™ Full Escutcheon Handleset 
Emergency Egress w/ L024 Lever

003, 031, 033, 044
050, 055, 056, 060
076, 102, 112,
190, 260, 402

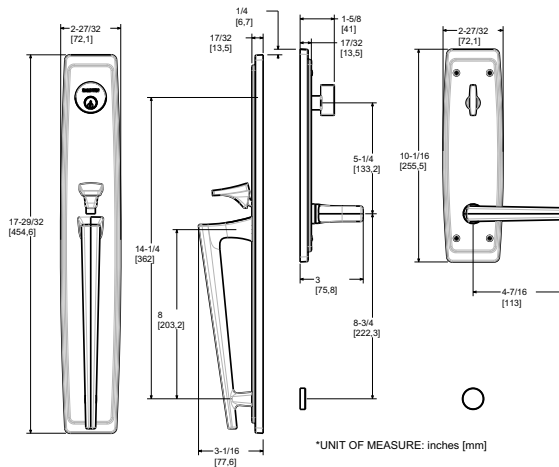


.LENT or .RENT



Item #	Description	Wt.	
85397.xxx.RENT	Single cylinder handleset w/ lever, emergency egress – RH Entry	9.2	\$900
85397.xxx.LENT	Single cylinder handleset w/ lever, emergency egress – LH Entry	9.2	\$900
85397.xxx.RFD	Full dummy set with lever – RH Dummy	7.2	\$790
85397.xxx.LFD	Full dummy set with lever – LH Dummy	7.2	\$790
85397.xxx.ENTRX	Single cylinder handleset minus lever		\$837
85397.xxx.FDX	Full dummy set minus lever		\$727

NOTE: Active THK Door Kit: 5399.xxx.C, Dummy THK Door Kit: 5399.xxx.D, & Replacement Cylinder: 8031.xxx.KD22.



TUBULAR
HANDLESSETS

Soho® Sectional Trim 
w/ 5485V Soho Lever

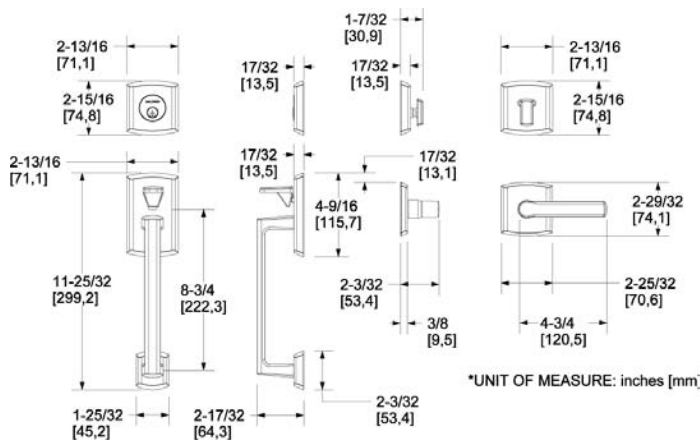
003, 031, 033, 044
050, 055, 056, 060
076, 102, 112,
190, 260, 402



.LENT or .RENT

Item #	Description	Wt.	
85386.xxx.RENT	Single cylinder handleset w/Lever – RH Entry	6.8	\$580
85386.xxx.LENT	Single cylinder handleset w/Lever – LH Entry	6.8	\$580
85386.xxx.RDBL	Double cylinder handleset w/Lever – RH Entry	7.1	\$620
85386.xxx.LDBL	Double cylinder handleset w/Lever – LH Entry	7.1	\$620
85386.xxx.RFD	Full dummy set w/Lever – RH Dummy	5.6	\$493
85386.xxx.LFD	Full dummy set w/Lever – LH Dummy	5.6	\$493

NOTE: Active THK Door Kit: 5399.xxx.A, Dummy THK Door Kit: 5399.xxx.D, & Replacement Cylinder: 8031.xxx.KD12.



*QUICK SHIP is available in functions and finishes shown in red.

ENTRANCE SETS, TUBULAR

Soho® ¾ Escutcheon Handleset Emergency Egress w/ 5485V Soho Lever

003, 031, 033, 044
050, 055, 056, 060
076, 102, 112,
190, 260, 402

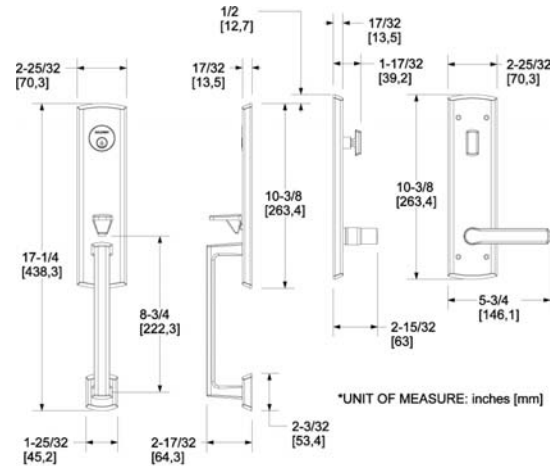


.LENT or .RENT



Item #	Description	Wt.	
85387.xxx.RENT	Single cylinder handleset w/ Lever – RH Entry, Emergency Egress	7.8	\$795
85387.xxx.LENT	Single cylinder handleset w/ Lever – LH Entry, Emergency Egress	7.8	\$795
85387.xxx.RFD	Full dummy set w/ Lever – RH Dummy	6.2	\$676
85387.xxx.LFD	Full dummy set w/ Lever – LH Dummy	6.2	\$676

NOTE: Active THK Door Kit: 5399.xxx.C, Dummy THK Door Kit: 5399.xxx.D, & Replacement Cylinder: 8031.xxx.KD22.



TUBULAR
HANDLESSETS

Soho® Two-Point Handleset w/ 5485V Soho Lever

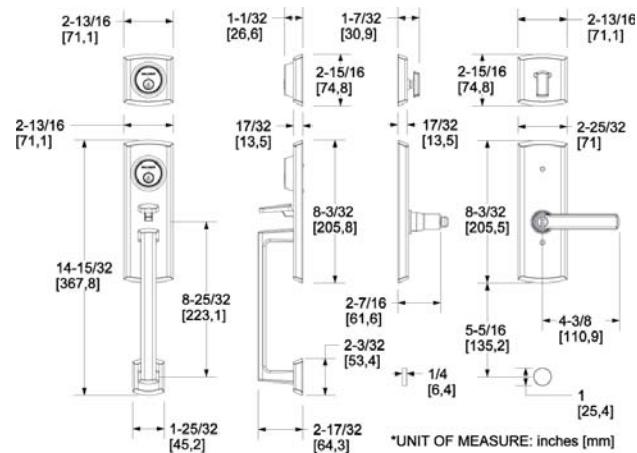
003, 031, 033, 044
050, 055, 056, 060
076, 102, 112,
190, 260, 402



.2LH or .2RH

Item #	Description	Wt.	
85385.xxx.2RH	Single cylinder handleset with lever – RH Entry	9.7	\$795
85385.xxx.2LH	Single cylinder handleset with lever – LH Entry	9.7	\$795
85385.xxx.2DCR	Double cylinder handleset with lever – RH Entry	9.4	\$835
85385.xxx.2DCL	Double cylinder handleset with lever – LH Entry	9.4	\$835
85385.xxx.2RFD	Full dummy set with lever – RH Dummy	8.9	\$676
85385.xxx.2LFD	Full dummy set with lever – LH Dummy	8.9	\$676

NOTE: Designed to fit 1-3/4" to 2" thick doors with 2-1/8" face bore with 3-hole prep.



*QUICK SHIP is available in functions and finishes shown in red.

Stonegate Emergency Egress Handleset

w/ 5445V Classic Lever

003, 031, 033, 044
050, 055, 056, 060
076, 102, 112,
190, 260, 402

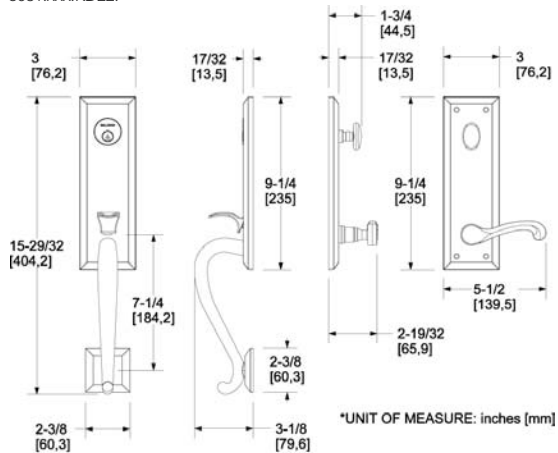


.LENT or .RENT



Item #	Description	Wt.	
85355.xxx.ENTRX	Single cylinder handleset – less lever, emergency egress - active	5.7	\$730
85355.xxx.FDX	Full dummy set less lever - inactive	4.3	\$615
85355.xxx.RENT	Single cylinder handleset w/ lever, emergency egress – RH Entry	8.1	\$795
85355.xxx.LENT	Single cylinder handleset w/ lever, emergency egress – LH Entry	8.1	\$795
85355.xxx.RFD	Full dummy set with lever – RH Dummy	5.9	\$676
85355.xxx.LFD	Full dummy set with lever – LH Dummy	5.9	\$676

NOTE: Active THK Door Kit: 5399.xxx.C, Dummy THK Door Kit: 5399.xxx.D, & Replacement Cylinder: 8031.xxx.KD22.



TUBULAR
HANDLESETS

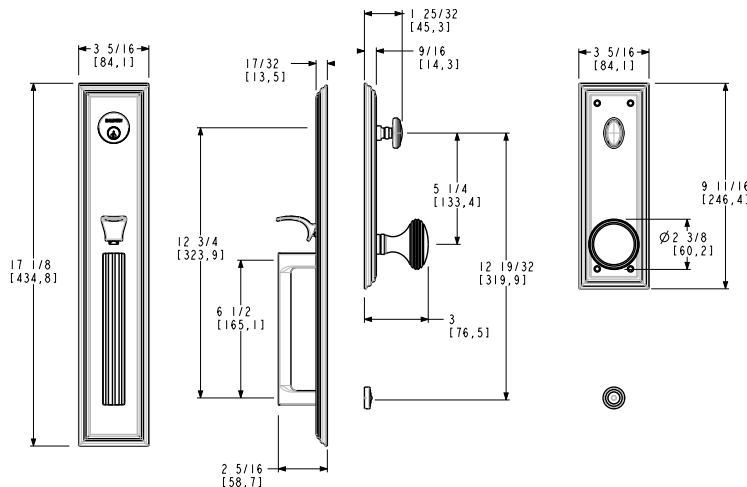
Tremont Full Escutcheon Handleset
Emergency Egress w/ 5069 Knob

003, 031, 033, 044
050, 055, 056, 060
076, 102, 112,
190, 260, 402



Item #	Description	Wt.	
85342.xxx.ENTR	Single cylinder handleset w/ knob	7.3	\$900
85342.xxx.FD	Full dummy set w/ knob		\$790
85342.xxx.ENTRX	Single cylinder handleset minus knob		\$837
85342.xxx.FDX	Full dummy set minus knob		\$727

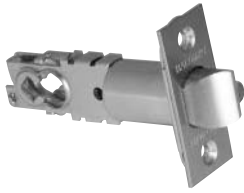
NOTE: Active THK Door Kit: 5399.xxx.C, Dummy THK Door Kit: 5399.xxx.D, & Replacement Cylinder: 8031.xxx.KD22.



*QUICK SHIP is available in functions and finishes shown in red.

ENTRANCE SETS, TUBULAR

5210 & 5300 Replacement Latches



Universal Deadlocking Latch for Keyed Entry & Two -Point

Item #	Adjustable Backset	Front Length	Front Width	Description	Price
5210.xxx	2.375" (60mm) 2.75" (70mm)	2.25" (57mm)	1" (25mm)	Deadlocking Latch Bolt	\$65

FEATRUES: Latch bolts have a .5" throw, are reversible and can be used on beveled doors. Latches are supplied with 1" (25mm) face plates.

PACKED: One per box does not come with strike, fasteners and template.

Adjustable Latch for Tubular Handlesets

Item #	Description	003, 031, 033, 044, 050 055, 056, 060, 076, 102 112, 190, 260
5300.xxx.9	Adjustable Latch	\$60

5399 – Thick Door Kits for New Mechanics

Item #	Adjustable Backset	Std. Box	Wt.	003, 031, 033, 044, 050 055, 056, 060, 076, 102 112, 190, 260
5399.xxx.A	For all Sectional and Escutcheon Single Cylinder Entrance function handlesets to fit 2" & 2 ¼" thick door	1	0.3	\$66
5399.xxx.B	For all Sectional and Escutcheon Double Cylinder Entrance handlesets to fit 2" & 2 ¼" thick doors	1	0.4	\$66
5399.xxx.C	For all Emergency Egress function handlesets to fit 2" & 2 ¼" thick doors	1	0.3	\$66
5399.xxx.D	For all Full Dummy handle functions -- Sectional, Escutcheon and Emergency Egress to fit 2" & 2 ¼" thick doors	1	0.1	\$22

FEATURES: Each conversion kit includes tailpieces (if necessary), thru-bolts, strike plate, and instructions for modifying sets for use on doors either 2" (51mm) or 2 ¼" (57mm) in thickness. (Must specify finish)

WEIGHT: 2.1 lbs. (.09kg)

5399 – Repair Kits for New Mechanics

Item #	Adjustable Backset	Std. Box	Wt.	003, 031, 044, 050, 055 056, 060, 076, 102 112, 190, 260, 402
5399.xxx.G	For active Sectional and Escutcheon handlesets with Interior Knobs including Single Cylinder (ENTR) and Double Cylinder (DBLC) sets	1	1.1	\$66
5399.xxx.H	For active Sectional and Escutcheon handlesets with Interior Levers including Single Cylinder (LHRH) and Double Cylinder (LRDB) sets	1	1.3	\$66
5399.xxx.K	For Full Dummy (FD or LRFD) Sectional, Escutcheon, and Emergency Egress handlesets with a Traditional oval thumbpiece including Interior Knobs or Levers	1	0.7	\$51
5399.xxx.M	For active Emergency Egress handlesets (ENTR) with an oval egress cartridge, a Traditional oval thumbpiece, and an Interior Knob	1	2.0	\$66
5399.xxx.N	For active Emergency Egress handlesets (LENT or RENT) with a rectangular egress cartridge, a Traditional oval thumbpiece, and an Interior Lever	1	2.0	\$66

NOTE: All parts must be installed for proper lock function.

5300 – Thumblift Repair Kit

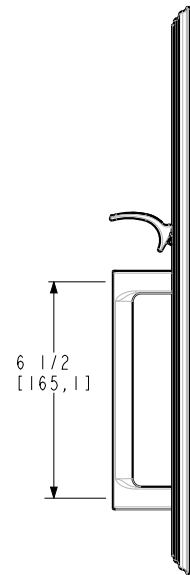
Item #	Description	Price
5300.000.005	Thumblift Repair Kit	\$25

*QUICK SHIP is available in functions and finishes shown in red.

Exterior Handle Set Grip Center to Center Specifications

Below are the handle set grip center to center specifications for all Tubular handle sets.
To locate throughbolt location from the center of the latch bore, add 3/4" to the CTC.

Item#	Description	Grip CTC
6402.xxx.ENTR	6402 Boulder Full Escutcheon	8.000
6402.xxx.RENT/LENT	6402 Boulder Full Escutcheon	8.000
6403.xxx.ENTR	6403 Cody Full Escutcheon	8.000
6403.xxx.RENT/LENT	6403 Cody Full Escutcheon	8.000
85316.XXX.RENT/LENT	85316 Gramercy Full Escutcheon	8.000
85317.XXX.RENT/LENT	85317 Gramercy Knurled Full Escutcheon	8.000
85310.xxx.ENTR	85310 Hollywood Hills Sectional	8.000
85311.xxx.ENTR	85311 Hollywood Hills Full Escutcheon	8.000
85315.xxx.ENTR	85315 Logan Sectional	6.500
85315.xxx.RENT/LENT	85315 Logan Sectional	6.500
85320.xxx.ENTR	85320 Madison	6.500
85320.xxx.RENT/LENT	85320 Madison	6.500
85327.xxx.ENTR	85327 Bethpage Sectional	7.750
85327.xxx.RENT/LENT	85327 Bethpage Sectional	7.750
85337.xxx.ENTR	85337 Bethpage 3/4 Escutcheon	7.750
85337.xxx.RENT/LENT	85337 Bethpage 3/4 Escutcheon	7.750
85342.xxx.ENTR	85342 Tremont	6.500
85350.xxx.RENT/LENT	85350 Manchester 3/4 Escutcheon	8.000
85352.xxx.ENTR	85352 Cody 3/4 Escutcheon	8.000
85352.xxx.RENT/LENT	85352 Cody 3/4 Escutcheon	8.000
85354.xxx.ENTR	85354 Boulder 3/4 Escutcheon	8.000
85354.xxx.RENT/LENT	85354 Boulder 3/4 Escutcheon	8.000
85355.xxx.RENT/LENT	85355 Stonegate	6.500
85360.xxx.ENTR	85360 Blakely	6.500
85386.xxx.RENT/LENT	85386 Soho Sectional	8.000
85387.xxx.RENT/LENT	85387 Soho 3/4 Escutcheon	8.000
85390.xxx.RENT/LENT	85390 Minneapolis Sectional	8.000
85391.xxx.RENT/LENT	85391 Minneapolis 3/4 Escutcheon	8.000
85392.xxx.RENT/LENT	85392 Minneapolis Full Escutcheon	8.000
85397.xxx.RENT/LENT	85397 Palm Springs	8.000



TUBULAR
HANDLESETS



**ELECTRONIC
DEADBOLTS**

BALDWIN | TOUCHSCREEN

Luxurious Simplicity. Bold Design.

Beautifully Baldwin, this offering combines a Touchscreen and SecureScreen technology with bold Baldwin design to create a simple electronic connected solution.

- The Advanced Touchscreen is responsive to your hand for screen display and code entry.
- Secure Screen Technology™: Provides additional security by employing random digits prior to entering your personal code to prevent finger print and code detection.
- One Touch Locking: Lock your door with a single touch. No need for a key or code to lock the door.
- Wirelessly communicate with Security and Smart Home systems via Z-Wave Technology (Z-Wave hub to be purchased separately).
- Up to 16 customizable user codes (30 for Z-Wave version) with 4 to 8 digit code length for family, guests and service professionals.
- Baldwin Touchscreen is easy to install, program to use and operates on 4 AA batteries (supplied).
- Indicator light on the interior trim will blink green, amber or red to indicate unlocked, locked or low battery status.
- Activate the 30 second auto-locking feature for convenience and peace-of-mind.
- The Touchscreen deadbolts elegantly pair with coordinated traditional, contemporary and rustic handle grip and levers styles for your entry door.
- 128-bit Advanced Encryption Standard (AES) communication with Z-Wave 500 chipset.
- Deadbolt exceeds ANSI/BHMA Grade 2 security test standards.

ELECTRONIC
DEADBOLTS

SPECIFICATION

SOLID BRASS: Deadbolt trim manufactured of solid brass for maximum strength and durability.

DOOR THICKNESS: 1-3/4" to 2" standard. For 2 1/4" door thickness, order the 8421.000.TP01 conversion kit.

BOLT: Deadbolt has 1" solid brass tapered bolt and a hardened steel insert for maximum security.

BACKSET: Adjustable backset 2-3/8" or 2-3/4".

FACE PLATE: 1" square corner face plate.

STRIKE: Reinforced steel strike with two (2) 3" security jamb screws, dust box and armored front to conceal the fasteners.

DOOR PREP: 2-1/8" cross bore and 1" edge bore for latch.

CYLINDER: Cylinder supplied with 5-pin keying.

ANSI/BHMA: Exceeds Grade 2 requirements in ANSI/BHMA A156.36 test standard.

UL RATED: 20-minute fire rated certified UL deadbolt.

SECURITY: 128-bit Advanced Encryption Standard (AES) communication with Z-Wave 500 chipset.

POWER: Deadbolt requires four AA batteries (supplied).

SMART HOME DEVICES: Wirelessly communicate with Security and Smart Home systems via Z-Wave Technology (Z-Wave hub to be purchased separately).

WARRANTY: TOUCHSCREEN products comes with Lifetime Mechanical and Limited Finish Warranty (varies by finish), along with a 1 year electronic warranty to the original residential user of the product against defects in material and workmanship as long as the original user occupies the residential premises upon which the product was originally installed. This warranty does not cover scratches, abrasions, deterioration due to the use of paints, solvents or other chemicals, abuse, misuse, or product used in commercial applications.

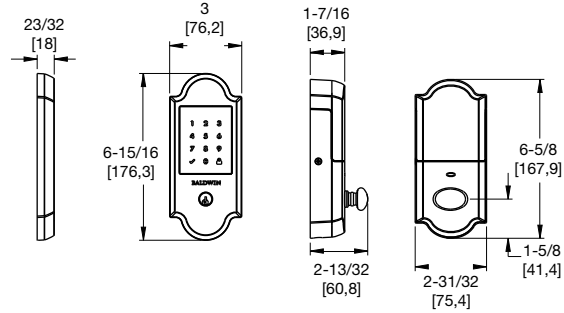
Boulder Touchscreen Deadbolt



003, 031, 033, 044
050, 055, 056, 060
076, 102, 112,
190, 260, 402

Item #	Description	Wt.	
8235.xxx	Touchscreen Boulder Deadbolt Standalone	4.6	\$540
8235.xxx.ZW	Touchscreen Boulder Deadbolt with Z-Wave Technology	4.6	\$650

NOTE: Deadbolt Thick Door kit available for 2" to 2-1/4" (8421.000.TP01).



ELECTRONIC
DEADBOLTS

Boulder Handle Grip

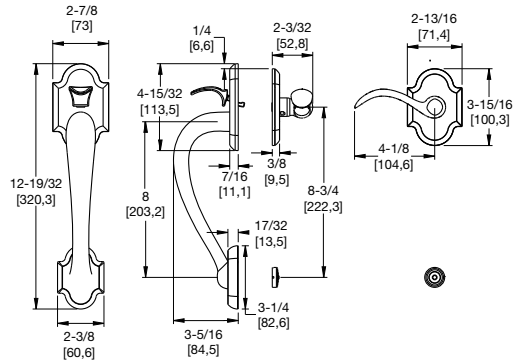
w/ 5452V Lever



003, 031, 033, 044
050, 055, 056, 060
076, 102, 112,
190, 260, 402

Item #	Description	Wt.	
85353.xxx.ACRH	Boulder Handle Grip (RH)	6.8	\$445
85353.xxx.ACLH	Boulder Handle Grip (LH)	6.8	\$445
85353.xxx.ACX	Sectional Entry Handleset Kit - minus lever	3.2	\$380

NOTE: Thick Door kit available (5399.XXX.A) for 2" to 2-1/4" thick doors.



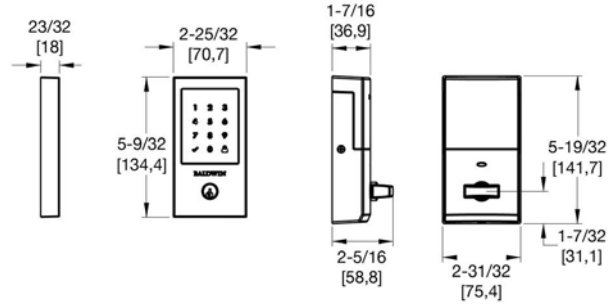
Minneapolis Touchscreen Deadbolt



003, 031, 033, 044
050, 055, 056, 060
076, 102, 112,
190, 260, 402

Item #	Description	Wt.	
8225.xxx	Touchscreen Minneapolis Deadbolt Standalone	4.4	\$540
8225.xxx.ZW	Touchscreen Minneapolis Deadbolt with Z-Wave Technology	4.4	\$650

NOTE: Deadbolt Thick Door kit available for 2" to 2-1/4" (8421.000.TP01).



Minneapolis Handle Grip

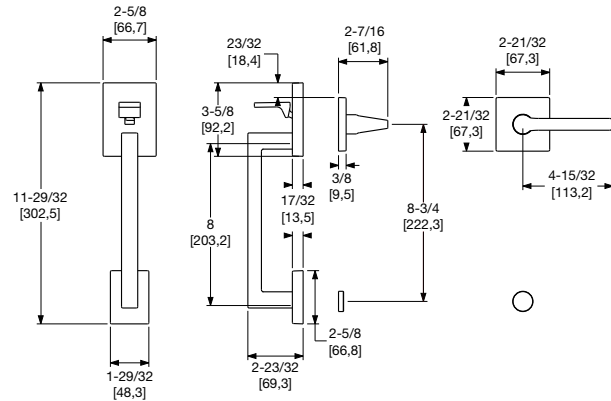
w/ 5162 Lever



003, 031, 033, 044
050, 055, 056, 060
076, 102, 112,
190, 260, 402

Item #	Description	Wt.	
85390.xxx.ACRH	Minneapolis Handle Grip (RH)	7.8	\$445
85390.xxx.ACLH	Minneapolis Handle Grip (LH)	7.8	\$445
85390.xxx.ACX	Sectional Entry Handleset Kit - minus lever	5.0	\$380

NOTE: Thick Door kit available (5399.XXX.A) for 2" to 2-1/4" thick doors.



ELECTRONIC
DEADBOLTS

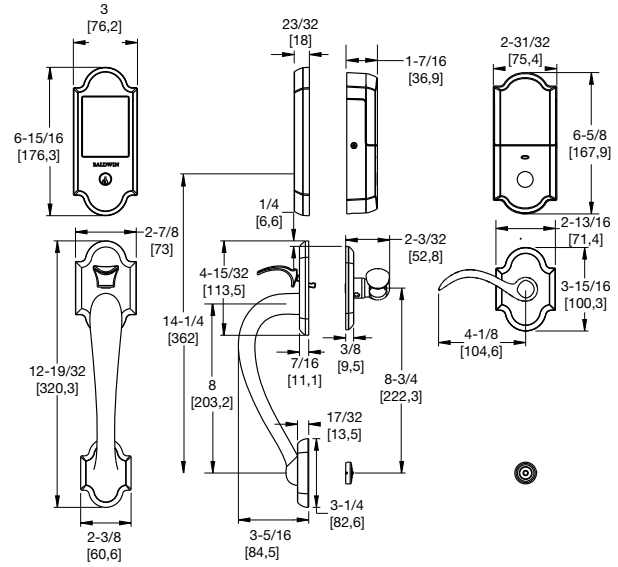
Boulder Full Dummy

w/ Beavertail Lever

003, 031, 033, 044
050, 055, 056, 060
076, 102, 112,
190, 260, 402

Item #	Description	Wt.	
85358.xxx.RFD	Boulder Dummy Handleset with Beavertail Lever (RH)	8.1	\$630
85358.xxx.LFD	Boulder Dummy Handleset with Beavertail Lever (LH)	8.1	\$630

NOTE: Dummy Thick Door Kit (5399.XXX.D) available for up to 2-1/4" thick doors.



ELECTRONIC
DEADBOLTS

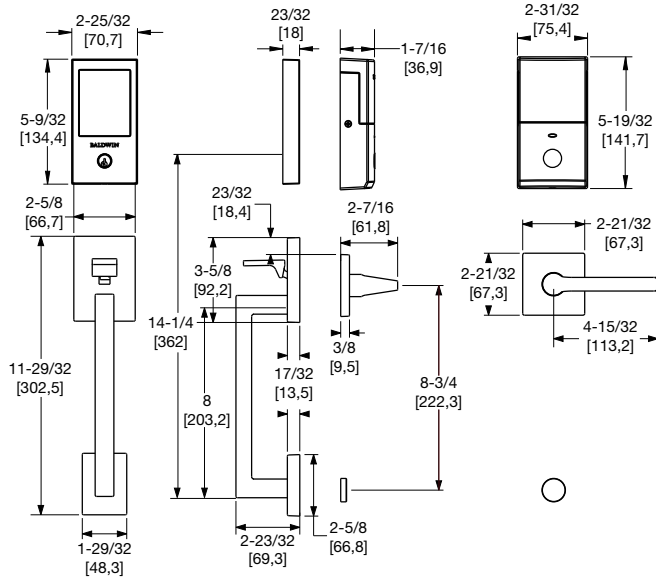
Minneapolis Full Dummy
w/ Lakeshore Lever

003, 031, 033, 044
050, 055, 056, 060
076, 102, 112,
190, 260, 402



Item #	Description	Wt.	
85393.xxx.RFD	Minneapolis Dummy Handleset with Lakeshore Lever (RH)	8.9	\$630
85393.xxx.LFD	Minneapolis Dummy Handleset with Lakeshore Lever (LH)	8.9	\$630

NOTE: Dummy Thick Door Kit (5399.XXX.D) available for up to 2-1/4" thick doors.



ELECTRONIC
DEADBOLTS

KEYPAD ENTRY



Keypad Entry Features & Specifications

FEATURES

- Easy Install in Minutes w/ Screwdriver
- Fits Standard Tubular Door Prep
- No Hard Wiring Required
- 8 Customizable User Codes with Easy Add & Delete
- 4 to 8 Digit Codes
- One Touch Locking
- Back-Lit Keypad for Increased Visibility
- Incorrect Code Lockout Feature
- Customizable Features:
 - Automatic Door Locking after 30 Seconds
 - Door Locked / Unlocked led indicator
 - Audible beep for activation
- 4 AA Alkaline Batteries
- Low Battery LED Indicator
- Tapered Deadbolt Design - Compensates for Door Misalignment Conditions
- Protective Coated Keypad Preventing Wear & Discoloration
- Automatic Handing Feature
- Solid Forged Brass Trim

SPECIFICATIONS

Function	Single Cylinder Deadbolt
Door Prep	2 1/8" Bore, 1" Edge Bore
Backset	Adjustable 2 3/8" or 2 3/4"
Door Thickness	1.75" to 2.00"
Thick Door Kit	For 2 1/4" & 2 1/2" door thickness, order 8421.000.TP01 (\$32 List Price)
Cylinder	5-Pin C-Keyway
Faceplate	1" Square Corner
Strike	Square Corner with reinforcing plate
Latch	1" Throw
Bolt	Brass, tapered w/ security pin
Door Handing	Automatic Handing

FAQ List

Keypad Entry

Does this product require a different installation?	No, fits a standard tubular deadbolt prep.
What is the estimated life of the batteries?	Approximately 1 year of standard use.
Is this product offered in an emergency egress function?	No, this product is not offered in an Emergency Egress function.
What cylinders are provided?	Uses a standard deadbolt cylinder with an extended tail piece.
What latches are provided with this product?	The Keypad Entry Deadbolt products use a modified standard Deadbolt Latch that includes a tapered bolt & a modified latch cam.
Are there issues with the motorized bolt in regards to weather-stripping or warped door conditions?	The tapered deadbolt was designed to address these conditions.
Can I get additional finishes or split finishes?	No, these products cannot be extended into additional finishes or split finishes at this time.
What is the standard lead time for these products?	Keypad Entry is offered at the standard product lead time of 4 weeks.
Are Keyed Alike sets offered?	No, not at this time. Product will need to be re-keyed in the field.
What is the Warranty?	The Keypad Entry Deadbolts carry a Standard Estate Lifetime Mechanical and Limited Finish Warranty (varies by finish) & a 1 Year Electronic Warranty.
Are batteries included?	No, AA batteries are not included & will need to be purchased separately.

HOW TO ORDER

Keypad Entry



DEADBOLT

EXAMPLE:

To Order Only a Deadbolt,
Simply Order & Specify the Finish:

8285.190.AC1

SECTIONAL HANDSET

EXAMPLE:

To Order Sectional Handset,
Order Both Deadbolt &
Sectional Handset Kit* (with
Handing) & Specify the Finish:

**8285.190.AC1 +
85386.190.ACRH**

- Keypad Entry Systems are only available in Soho & Boulder Styles.
- Split finish and special keying options are not available for keypad entry systems.

Sectional Handset
Example

ELECTRONIC
DEADBOLTS

Finished Available for Soho Keypad Entry

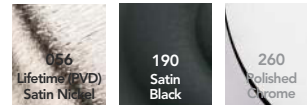
8285.xxx.AC1
Soho Deadbolt



85386.xxx.ACRH (.ACLH)
Soho Sectional Trim w/ 5485V Lever



Finishes



Finished Available for Boulder Keypad Entry

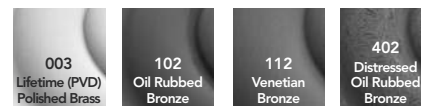
8252.xxx.AC1
Boulder Deadbolt



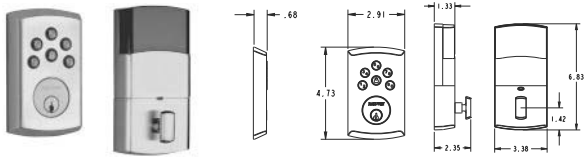
85353.xxx.ACRH (.ACLH)
Boulder Sectional Trim w/ 5452V Lever



Finishes



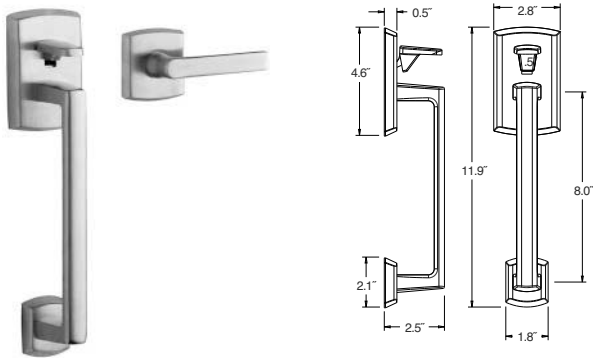
Soho Deadbolt



Item #	Description	056, 190, 260
8285.xxx.AC1	Deadbolt	\$680

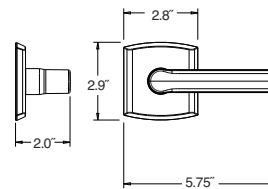
NOTE: Deadbolt Thick Door kit available for 2" to 2-1/2" thick doors (8421.000.TP01).

Soho Sectional Handleset Kit

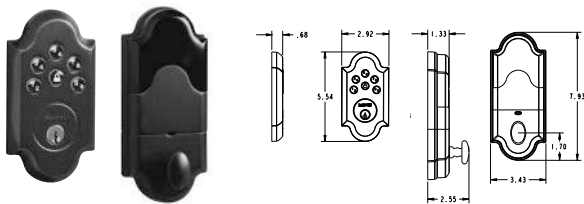


Item #	Description	056, 190, 260
85386.xxx.ACRH (.ACLH)	Sectional Entry Handleset Kit	\$445

NOTE: Thick Door kit (5399.XXX.A) available for up to 2-1/4" thick doors.



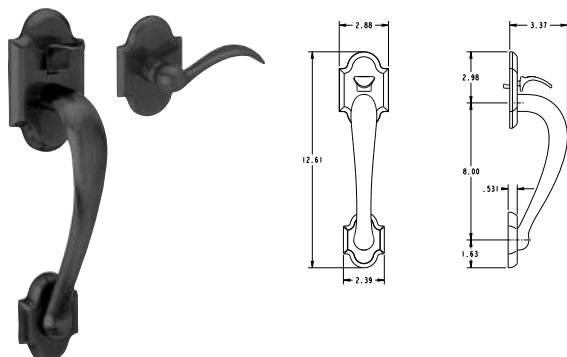
Boulder Deadbolt



Item #	Description	003, 102 112, 402
8252.xxx.AC1	Deadbolt	\$680

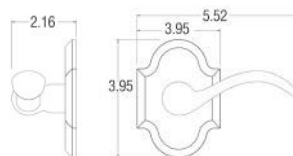
NOTE: Deadbolt Thick Door kit available for 2" to 2-1/2" thick doors (8421.000.TP01).

Boulder Sectional Handleset Kit



Item #	Description	003, 056, 102 112, 190, 402
85353.xxx.ACRH (.ACLH)	Sectional Entry Handleset Kit	\$445

NOTE: Thick Door kit (5399.XXX.A) available for up to 2-1/4" thick doors.



ELECTRONIC
DEADBOLTS

DEADBOLTS



8000 Series

LOW PROFILE CYLINDER DEADBOLT FOR 1 5/8" (41mm) DOOR PREP

All deadbolts feature a 1/2" low-profile cylinder projection.

CASE: Deadbolt case is formed of heavy gauge steel for strength and assures solid fit in door preparations. Most interior working parts are made of solid brass for maximum strength and smooth operation.

DEADBOLT: All deadbolts are of solid brass construction. Deadbolt has .600" x .770" x 1" (15 x 20 x 25mm) throw when extended and a hardened steel insert for maximum protection and security. Deadbolt is furnished in 040 and 264 finishes to match trim.

GRADE 1: Select deadbolts meet Grade 1 Requirements as set forth in ANSI A156.5 Test Sections 9.1-9.11 & 10.1-10.9.

BACKSET: Adjustable backset deadbolt 2 3/8" (60mm) or 2 3/4" (70mm). NON-HANDED design facilitates specification and installation.

STRIKE: Every deadbolt illustrated in this section is furnished with a specially-designed reinforcing strike constructed of high grade steel for ultimate strength and durability. The strike is installed with four (4) security jamb screws (including two (2) 3" screws) and a dust box and is covered with an armored front to conceal the fasteners. The 3" screws securing the reinforcing strike resist tampering and guard against theft.

CYLINDERS: The cylinder housing is protected with a free-turning exterior cylinder guard fabricated from solid brass to resist gripping or twisting. Cylinders are supplied standard with 03 keyway and two nickel silver keys. All deadbolts are furnished with 5-pin keying.

KEYING: Each cylinder is provided with 2 keys. Service part available for additional keys. Keys are designed with a 1.25" (32mm) wide bow surface.

PACKAGING: Packaged one deadbolt per box with security strike, dust box and keys. All products are packaged in contractor packaging.

WEIGHT: 1.8 lbs. each (.81kg); 10.8 lbs. (4.86kg) per case for standard package.

DOOR CONDITIONS: Deadbolts fit 1 5/8" (41mm) diameter cutouts. Trim rings No. 8090 available for doors drilled with 2-1/8" (54mm) diameter holes.

DOOR THICKNESS: Deadbolts fit 1 3/4" (44mm) thick doors. Deadbolt kits are available for 2" (51mm) and 2 1/4" (57mm) thick doors at an additional charge. Door spacers No. 8097 are required for 1 3/8" (35mm) thick doors (available for the 8041, 8011, 8031 & 8021 deadbolts only).

8200 Series

LOW PROFILE CYLINDER DEADBOLT FOR 2 1/8" (54mm) DOOR PREP

All information identical to 8000 SERIES except where noted here

WEIGHT: 2.2 lbs. each (.99kg); 13.2 lbs. per case (5.94kg).

DOOR CONDITIONS: Deadbolts fit 2 1/8" (54mm) diameter cutouts.

DOOR THICKNESS: Deadbolts fit 1 3/4" (44mm) thick doors. Deadbolt kits are available for 2" (51mm) and 2 1/4" (57mm) thick doors at an additional charge. Door spacers No. 8297 are required for 1 3/8" (35mm) thick doors (8241, 8242, 8231, 8232 only).

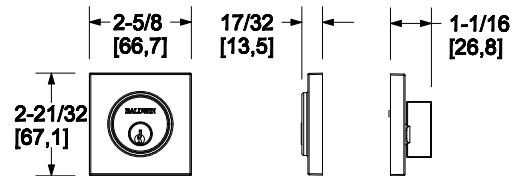
Thick Door Kits are available for both the 8000 and 8200 series deadbolts. Single Cylinder Thick Door Kit: 8098.000.TP03, Double Cylinder Thick Door Kit: 8098.000.DC03 and Patio Thick Door Kit: 8031.028.TP31

8220, 8221 Contemporary Deadbolt – 2 1/8" Door Prep



Item #	Description	Wt.	
8220.xxx	Single cylinder deadbolt	1.7	\$186
8221.xxx	Double cylinder deadbolt	1.9	\$215

NOTE: Not Available for 1 3/4" thick doors.
STEEL CASE: .960" Dia. x 3.312" or 3.75" extended (24 x 84 or 95mm)
FRONT: .156" x 1" x 2.25" (4 x 25 x 57mm)

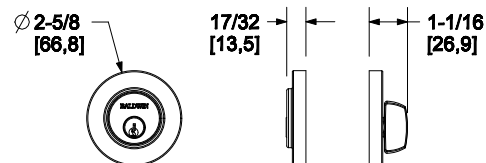


8244 Contemporary Deadbolt – 2 1/8" Door Prep



Item #	Description	Wt.	
8244.xxx	Single cylinder deadbolt	2.0	\$186
8244.xxx.PAT	Patio deadbolt	1.2	\$142

NOTE: Not Available as a double cylinder. Also Not Available for 1 3/4" thick doors.
STEEL CASE: .960" Dia. x 3.312" or 3.750" extended (24 x 84 or 95mm)
FRONT: .156" x 1" x 2.25" (4 x 25 x 57mm)
NOTE: For Patio deadbolt, refer to instruction sheet for special door preparation.



DEADBOLTS

8011, 8041 Contemporary Deadbolt – 1 5/8" Door Prep

003, 031, 033
044, 050, 055, 056
060, 076, 102, 112,
190, 260, 402

8041

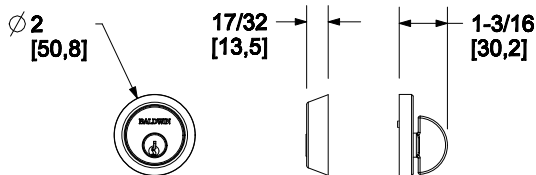


8011



Item #	Description	Wt.	
8041.xxx	Single cylinder deadbolt	1.7	\$148
8011.xxx	Double cylinder deadbolt	1.9	\$180

STEEL CASE: .960" Dia. x 3.312" or 3.75" extended (24 x 84 or 95mm)
FRONT: .156" x 1" x 2.25" (4 x 25 x 57mm)



8241, 8242 Contemporary Deadbolt – 2 1/8" Door Prep

003, 031, 033
044, 050, 055, 056
060, 076, 102, 112,
190, 260, 402

8241



8242



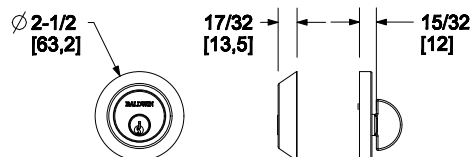
8241.xxx.PAT



Item #	Description	Wt.	
8241.xxx	Single cylinder deadbolt	2.1	\$148
8242.xxx	Double cylinder deadbolt	2.4	\$180
8241.xxx.PAT	Patio deadbolt	1.1	\$111

STEEL CASE: .960" Dia. x 3.312" or 3.750" extended (24 x 84 or 95mm)
FRONT: .156" x 1" x 2.25" (4 x 25 x 57mm)

Patio Deadbolt: Refer to instruction sheet for special door preparation



8021, 8031 Traditional Deadbolt – 1 5/8" Door Prep

003, 031, 033
044, 050, 055, 056
060, 076, 102, 112,
190, 260, 402

8031

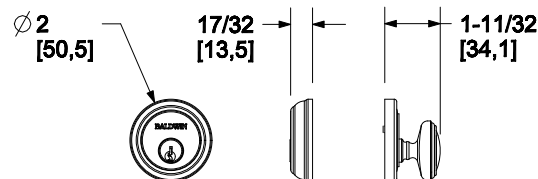


8021



Item #	Description	Wt.	
8031.xxx	Single cylinder deadbolt	1.8	\$148
8021.xxx	Double cylinder deadbolt	2.0	\$180

STEEL CASE: .960" Dia. x 3.312" or 3.750" extended (24 x 84 or 95mm)
FRONT: .156" x 1" x 2.25" (4 x 25 x 57mm)



*QUICK SHIP is available in functions and finishes shown in red.

8231, 8232 Traditional Deadbolt – 2 1/8" Door Prep

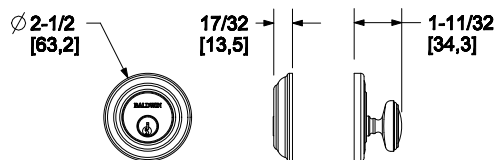


003, 031, 033
044, 050, 055, 056
060, 076, 102, 112,
190, 260, 402

Item #	Description	Wt.	
8231.xxx	Single cylinder deadbolt	2.2	\$148
8232.xxx	Double cylinder deadbolt	2.4	\$180
8231.xxx.PAT	Patio deadbolt	1.1	\$111

STEEL CASE: .960" Dia. x 3.312" or 3.75" extended (24 x 84 or 95mm)
FRONT: .156" x 1" x 2.25" (4 x 25 x 57mm)

Patio Deadbolt: Refer to instruction sheet for special door preparation



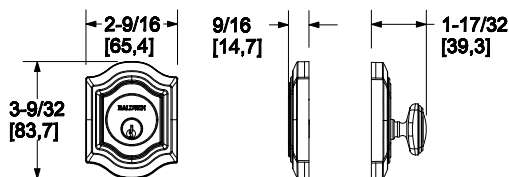
8237, 8238 Bethpage™ Deadbolt – 2 1/8" Door Prep



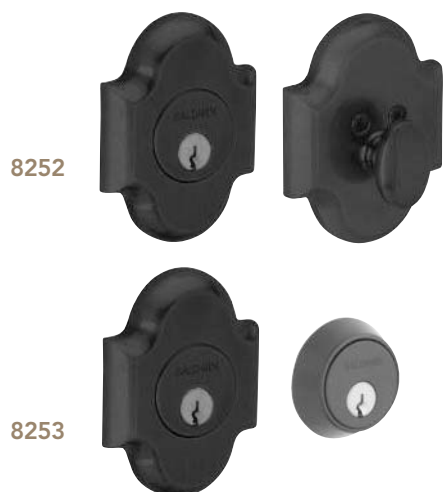
003, 031, 033
044, 050, 055, 056
060, 076, 102, 112,
190, 260, 402

Item #	Description	Wt.	
8237.xxx	Single cylinder deadbolt	2.1	\$186
8238.xxx	Double cylinder deadbolt	2.4	\$215

NOT AVAILABLE FOR 1 3/8" THICK DOORS.
STEEL CASE: .960" Dia. x 3.312" or 3.750" extended (24 x 84 or 95mm)
FRONT: .156" x 1" x 2.25" (4 x 25 x 57mm)
COLLAR DIMENSION: 2.63"W X 3.25"H X 0.5" THICK (66 X 81 X 13mm)



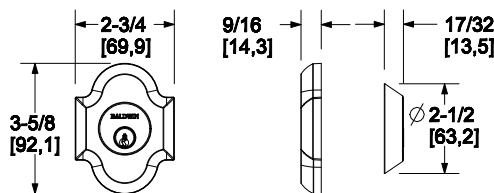
8252, 8253 Arched Deadbolt – 2 1/8" Door Prep



003, 031, 033
044, 050, 055, 056
060, 076, 102, 112,
190, 260, 402

Item #	Description	Wt.	
8252.xxx	Single cylinder deadbolt	2.0	\$186
8253.xxx	Double cylinder deadbolt	2.0	\$215

NOT AVAILABLE FOR 1 3/8" THICK DOORS.
STEEL CASE: .960" Dia. x 3.312" or 3.750" extended (24 x 84 or 95mm)
FRONT: .156" x 1" x 2.25" (4 x 25 x 57mm)
COLLAR DIMENSION: 2.75"W X 3.62"H X 0.5" THICK (70 X 92 X 13mm)



*QUICK SHIP is available in functions and finishes shown in red.



DEADBOLTS

8254, 8255 Squared Deadbolt – 2 1/8" Door Prep



8254

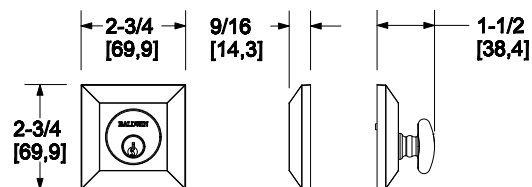


8255

Item #	Description	Wt.	
8254.xxx	Single cylinder deadbolt	2.0	\$186
8255.xxx	Double cylinder deadbolt	2.0	\$215

003, 031, 033
044, 050, 055, 056
060, 076, 102, 112,
190, 260, 402

NOT AVAILABLE FOR 1 3/8" THICK DOORS.
STEEL CASE: .960" Dia. x 3.312" or 3.750" extended (24 x 84 or 95mm)
FRONT: .156" x 1" x 2.25" (4 x 25 x 57mm)
COLLAR DIMENSION: 2.73"W X 3.62"H X 0.5" THICK (70 X 92 X 13mm)



8260, 8261 Hollywood Hills - 2 1/8" Door Prep



8260

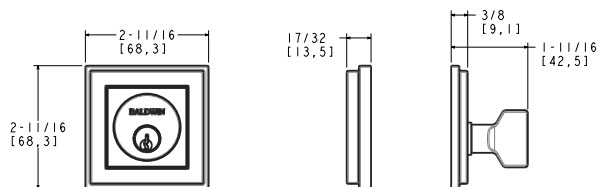


8261

Item #	Description	Wt.	
8260.xxx	Single cylinder deadbolt		\$186
8261.xxx	Double cylinder deadbolt		\$215

003, 031, 033
044, 050, 055, 056
060, 076, 102, 112,
190, 260, 402

NOT AVAILABLE FOR 1 3/8" THICK DOORS.
STEEL CASE: .960" Dia. x 3.312" or 3.75" extended (24 x 84 or 95mm)
FRONT: .156" x 1" x 2.25" (4 x 25 x 57mm)
COLLAR DIMENSION: 2.75"W X 2.88"H X 0.5" THICK (70 X 73 X 13mm)



8285, 8286 Soho Deadbolt – 2 1/8" Door Prep



8285

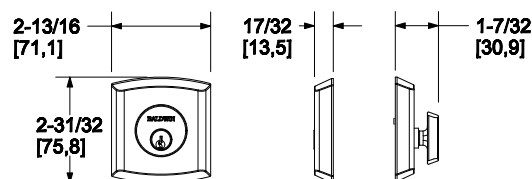


8286

Item #	Description	Wt.	
8285.xxx	Single cylinder deadbolt	2.2	\$186
8286.xxx	Double cylinder deadbolt	2.4	\$215

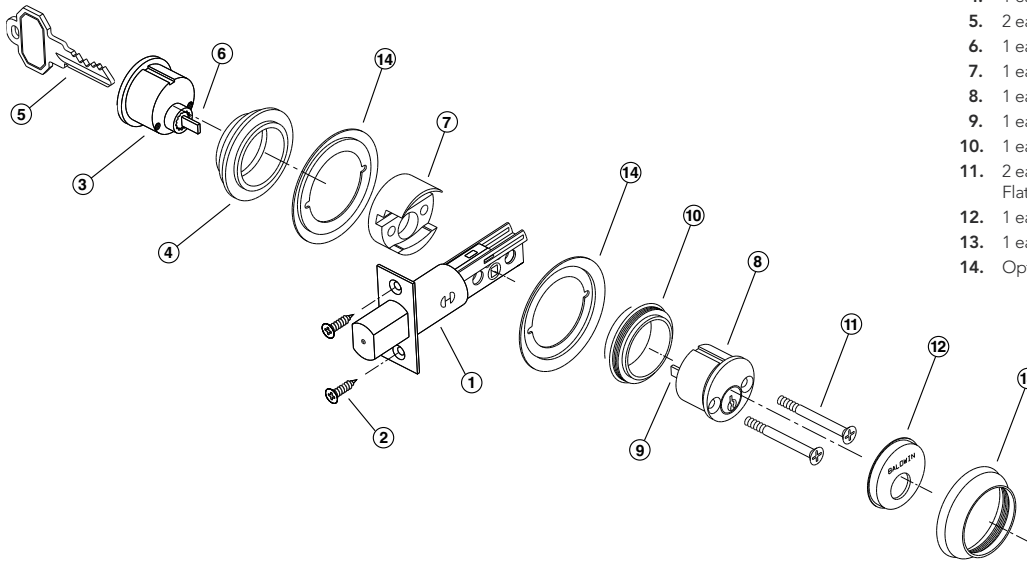
003, 031, 033
044, 050, 055, 056
060, 076, 102, 112,
190, 260, 402

NOT AVAILABLE FOR 1 3/8" THICK DOORS.
STEEL CASE: .960" Dia. x 3.312" or 3.75" extended (24 x 84 or 95mm)
FRONT: .156" x 1" x 2.25" (4 x 25 x 57mm)
COLLAR DIMENSION: 2.75"W X 2.88"H X 0.5" THICK (70 X 73 X 13mm)



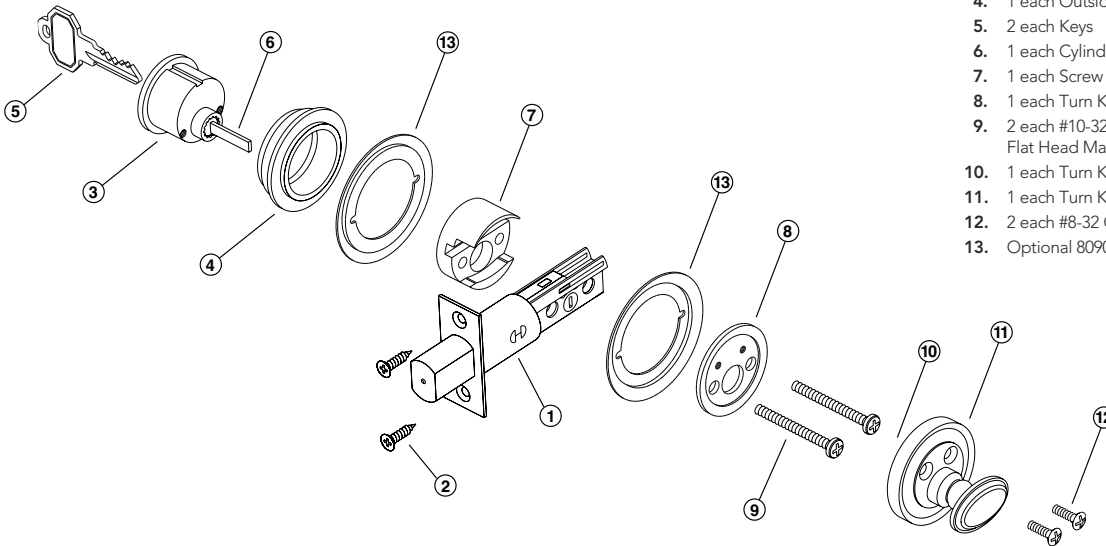
*QUICK SHIP is available in functions and finishes shown in red.

Double Cylinder Deadbolt



- 1. 1 each Adjustable Backset Deadbolt
- 2. 4 each #8.75" Flathead Combination Screws
- 3. 1 each Outside Cylinder
- 4. 1 each Outside Cylinder Collar
- 5. 2 each Keys
- 6. 1 each Outside Cylinder Tail Piece
- 7. 1 each Screw Guide
- 8. 1 each Inside Cylinder
- 9. 1 each Inside Cylinder Tail Piece
- 10. 1 each Threaded Collar
- 11. 2 each #10-32" Flat Head Machine Screws
- 12. 1 each Cylinder Cover
- 13. 1 each Inside Collar
- 14. Optional 8090 Trim Rings

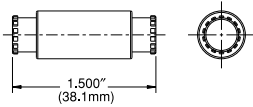
Single Cylinder Deadbolt



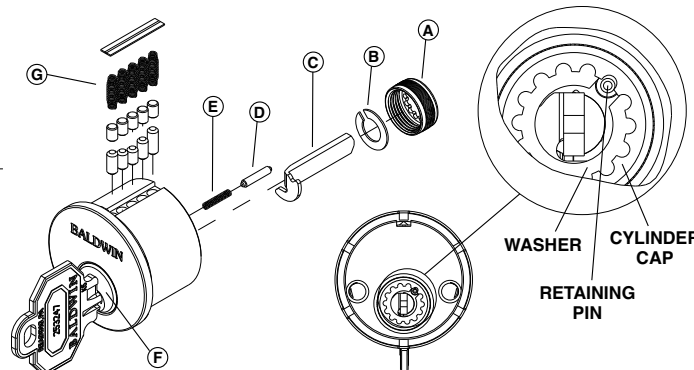
- 1. 1 each Adjustable Backset Deadbolt
- 2. 4 each #8-32 x 3/4" Flat Head Machine Screws
- 3. 1 each Outside Cylinder
- 4. 1 each Outside Cylinder Collar
- 5. 2 each Keys
- 6. 1 each Cylinder Tail Piece
- 7. 1 each Screw Guide
- 8. 1 each Turn Knob Mounting Plate
- 9. 2 each #10-32 x 2 1/4" Flat Head Machine Screws
- 10. 1 each Turn Knob Tail Piece
- 11. 1 each Turn Knob Trim
- 12. 2 each #8-32 Oval Head Machine Screws
- 13. Optional 8090 Trim Rings

Cylinder Exploded View

CYLINDER CAP TOOL



No. 8475.000.001



- A. Cylinder Plug Cap (8011.039.0027)
- B. Washer (8011.028.0025)
- C. Tail Piece
- D. Retaining Pin (8011.039.0023)
- E. Spring (8011.109.0022)
- F. Cylinder Plug
- G. Tumbler Springs (8300.109.005)

WASHER
CYLINDER CAP
RETAINING PIN

DEADBOLTS

Strikes, Cylinders & Turnpiece Components

Item #	Description	U/M.	Wt.	003, 050, 055 056, 076, 102, 112, 190, 260, 402	
					Not Finished
8000.xxx.RSTR	Radius corner deadbolt strike	each	0.2	\$15	—
8000.xxx.STR	Standard security deadbolt strike	each	0.2	\$15	—
8000.849.STR3	Dust box	each	0.1	—	\$7

Item #	Description	U/M.	Wt.	003, 050, 055 056, 076, 102, 112, 190, 260, 402		Other Finishes (As Marked)
8011.xxx.0020	Inside cylinder cap for double cylinder assembly	each	0.1	\$21	—	—
8011.039.0021	Cylinder threaded sleeve for mounting inside of double cylinder deadbolt	each	0.2	—	—	\$12
8011.109.0031	Tumbler springs	100/ pkg	0.1	—	—	\$31
8030.xxx.0003	Traditional outside cylinder collar (8000 series, 1-5/8" prep)	each	2.0	\$42	—	060 = \$42
8030.xxx.0005	Traditional inside cylinder collar (8000 series, 1-5/8" prep)	each	2.0	\$42	—	060 = \$42
8030.xxx.0510	Traditional turn knob assembly (8000 series, 1-5/8" prep)	each	0.3	\$94	—	—
8031.028.TP11	Turn piece tail piece, older style handleset	each		—	—	\$3
8031.509.SH18	Pan head thru-bolt	each	0.1	—	—	\$3
8040.xxx.0004	Contemporary round outside cylinder collar	each	0.3	\$42	—	060 = \$42
8040.xxx.0006	Contemporary round inside cylinder collar	each	0.2	\$42	—	—
8040.xxx.0510	Contemporary round turn knob assembly	each	0.3	\$94	—	—
8237.xxx.0510	Bethpage turn knob Assembly	each	0.4	\$94	—	—
8053.028.TP1	Cylinder tail piece for double cylinder deadbolt — up to 2 1/4" doors	each	0.2	—	—	\$4
8053.028.TP4	Cylinder tail piece for single cylinder deadbolt — 1 3/4" doors	each	0.2	—	—	\$4
8053.028.TP525	Cylinder tail piece for single cylinder deadbolt — 1 1/8" to 2 1/4" doors	each	0.2	—	—	\$4
8053.028.TP3	Cylinder tail piece for single cylinder deadbolt — 1 3/8" doors	each	0.2	—	—	\$4
8031.028.TP31	Patio Tailpiece for a 2 1/4 thick door	each	0.2	—	—	\$12
8053.028.TP2	Cylinder tail piece for egress	each	0.1	—	—	\$4
8031.xxx.KD12	Cylinder and tail piece for non-egress handleset and single cylinder deadbolts	each	0.5	\$52	—	—
8031.xxx.KD22	Cylinder and tail piece for egress handlesets	each	0.5	\$52	—	—
8011.xxx.KD12	Double cylinder for handlesets and deadbolts	each	0.8	\$102	—	—
8475.000.001	Cylinder cap tool	each	0.1	—	—	\$7

DEADBOLTS

UL Deadbolts Kit

UL certified tubular products can be ordered by adding a UL kit to our standard deadbolt or select Estate passage or privacy sets. Our UL products are rated a 3hr fire rating when used on fire rated doors.

UL DEADBOLTS KIT



Item #	Description	003, 031, 033 044, 050, 055, 056 060, 076, 102, 112, 190, 260	
U8201.xxx.DB	UL Kit for single cylinder deadbolt - 2 1/8" door prep		\$45
U8202.xxx.DB	UL Kit for double cylinder deadbolt - 2 1/8" door prep		\$45
U8208.xxx.DB	UL Kit for single cylinder deadbolt - 1 5/8" door prep		\$45
U8209.xxx.DB	UL Kit for double cylinder deadbolt - 1 5/8" door prep		\$45

For 402 or 452 finishes, please substitute with a 102 or 152 finish respectively.
INCLUDED: Deadbolt latch with UL faceplate, UL Shield and rotation stop

ORDERING INSTRUCTIONS:

1. Choose your deadbolt: eg. 8231.003 - Traditional Deadbolt, single cylinder, 2 1/8" door prep
2. Choose the appropriate deadbolt kit: U8201.003.DB – UL kit for single cylinder, 2 1/8" door prep

Other examples:

- 8041.260 – Contemporary deadbolt, single cylinder, 1 5/8" door prep
- U8208.260.DB – UL kit for single cylinder, 1 5/8" door prep
- 8238.112 – Bethpage deadbolt, double cylinder, 2 1/8" door prep
- U8202.112.DB – UL kit for double cylinder, 2 1/8" door prep

NOTE: All components from the deadbolt kit must be installed for UL certification.

8090, 8097, 8098, 8297 Trim Rings & Collars

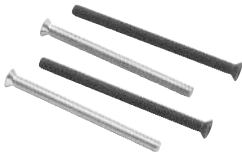


8090



8097

8098.000.DC03



8098.000.TP03



8297



Item #	Description	U/M.	Wt.	003, 050 055, 056, 076 102, 112, 190, 260, 402	
					Not Finished
8080.xxx	Deadbolt Trim	pair	1.5	\$120	—
8090.xxx	Trim rings for 2 1/2" hole	pair	0.2	\$22	—
8097.xxx	Cylinder collar spacer for 1 3/8" thick doors for 80xx series deadbolts (1 5/8" prep)	each	0.2	\$22	—
8098.000.DC03	Double cylinder Conversion kit for 2" & 2 1/4" thick doors	each	0.1	—	\$7
8098.000.TP03	Single Cylinder/Turn Piece Conversion kit for 2" & 2 1/4" thick doors	each	0.1	—	\$7
8297.xxx	Cylinder collar spacer for 1 3/8" thick doors for 82xx series deadbolts (2 1/8" prep)	each	0.3	\$31	\$31

8090.000 – Trim Rings

Dimensions: 2.5" Dia. (64mm)

Features: Trim Rings are designed for use with installation of 8000 Series (1.625" (41mm) door prep) Deadbolts in 2.125" (54mm) diameter door preparation. One pair of rings is required for use in this application for either Double Cylinder Conversion or Cylinder/Turn piece functions.

Rings are finished to match Deadbolts.

Weight: 2 lb. (.09kg)

8097.xxx – Cylinder Collar Spacer For 8000 Series Deadbolts – For 1.375" (35mm) Door

Dimensions: 2" Dia. (51mm)

Features: For installation on 1.375" (35mm) doors. Always used under Cylinder Collar.

Two Rings are required for Double Cylinder functions. One Ring is required for Cylinder/Turn piece functions. Finished to match deadbolt cylinder collar. Available at an extra charge.

Works with 8011, 8021, 8031, 8041 Deadbolts

Weight: .2 lb. (.09kg)

8098.xxx – Conversion Kits for 2" and 2.25" doors

Packed: One per box.

8297.xxx – Cylinder Collar Spacer For 8200 Series Deadbolts – For 1.375" (35mm) Door

Dimensions: 2.5" Dia. (64mm)

Features: For installation on 1.375" (35mm) doors. Always used under Cylinder Collar.

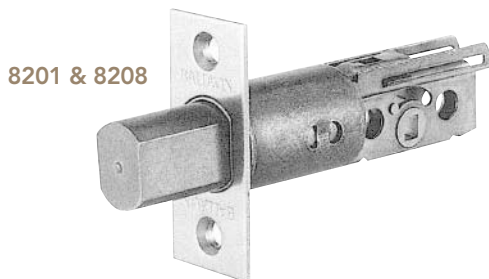
Two Rings are required for Double Cylinder functions. One Ring is required for Cylinder/Turn piece functions. Finished to match deadbolt cylinder collar. Available at an extra charge.

Works with any deadbolt starting with 82XX.xxx

Weight: .3 lb. (.14kg)



8201, 8208 Deadbolts



8201 & 8208

Item #	Description	U/M.	Wt.	003, 050, 055 056, 076, 102, 112, 190, 260, 402	
8201.xxx.DB	Adjustable deadbolt for double cylinder & patio	each	0.6	\$52	
8208.xxx.DB	Adjustable deadbolt for single cylinder	each	0.6	\$52	

Features: All Deadbolts are furnished with a 1" (25mm) throw. Each contains a saw-proof, hardened steel insert to prevent tampering. Fronts are adjustable for beveled door conditions. All deadbolts have an adjustable backset feature to accommodate 2.375" or 2.75" backsets. Front length 2.25" (57mm) and Front Width is 1" (25mm).

Packed: Without fasteners.

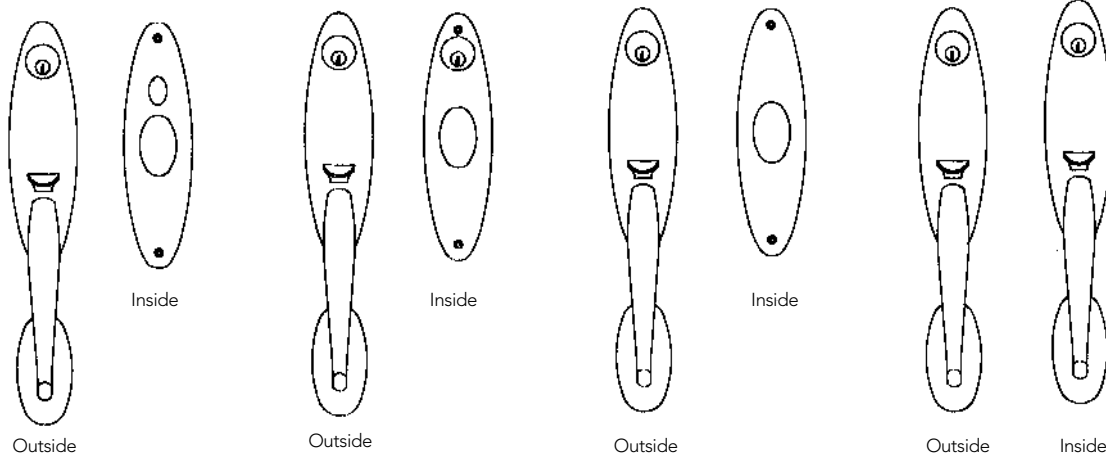
Weight: .6 lb. (.27kg)



**MORTISE
LOCKS**

HOW TO ORDER

Refer to back cover for ordering guide

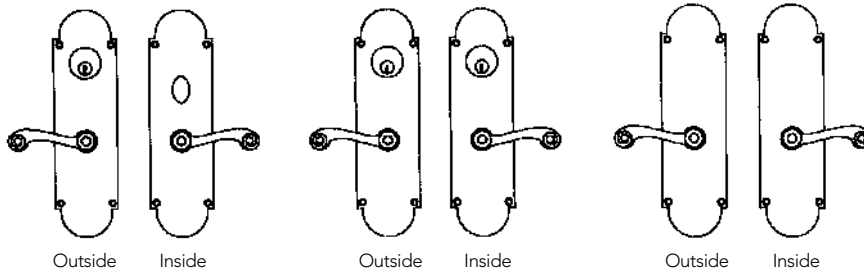


ENTRANCE (ENTR)

ENTRANCE* DOUBLE CYLINDER (DBLC)

FULL DUMMY (FD)

BACK TO BACK (BB75)



ENTRANCE (ENTR)

ENTRANCE* DOUBLE CYLINDER (DBLC)

FULL DUMMY (FD)

***WARNING:** Double cylinder functions on any application used for Egress may present a safety hazard in times of emergency. Installation should be in accordance with local codes.



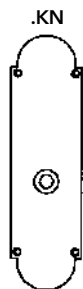
Watch for this icon as your quick guide to coordinating Baldwin lock hardware throughout your home. Your favorite Baldwin styles can be available in Tubular, Mortise, or Multi-Point.



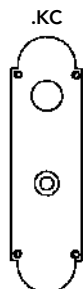
This symbol signifies that the illustrated lock trim will cover most single tubular cut-outs when used with appropriate backset mortise lock. Individual conditions should be examined to confirm acceptability.

Escutcheon Plate Configurations

Ordered in half pairs except for privacy (.KP) cut-outs which are ordered in pairs.



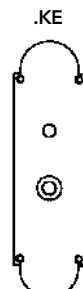
ENTRANCE (KNOB HOLE)
MORTISE AND TUBULAR APPLICATION



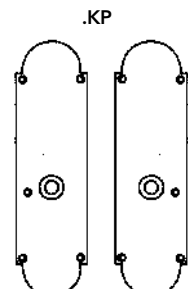
ENTRANCE (KNOB AND CYLINDER HOLE)
MORTISE APPLICATION



PRIVACY (KNOB AND TURN PIECE ATTACHED)
MORTISE AND TUBULAR APPLICATION



EMERGENCY RELEASE (KNOB AND ER HOLE)
MORTISE AND TUBULAR APPLICATION



PRIVACY PIN* (KNOB AND PRIVACY PIN HOLE)
***NOT AVAILABLE ON ALL ESCUTCHEONS**
USED FOR TUBULAR PRIVACY LATCH APPLICATION

Terminology

All the codes used in Entrance Trim

ESCUTCHEON TRIMS

Function Code	Description
.ENTR	Active Entrance Trim – Knobs, Levers
.RENT	Right-handed Active Handleset – Levers
.LENT	Left-handed Active Handleset – Levers
.DBLC	Double Cylinder Active Entrance Trim
.FD	Full Dummy Trim
.RFD	Right-Handed Full Dummy
.LFD	Left-Handed Full Dummy
.BB75	Back to Back Entrance Trims 1 ¾" Doors
.BB30	Back to Back Entrance Trims up to 3" Doors
.BBFD	Back to Back Full Dummy
.KC	Knob and Cylinder Hole
.KT	Knob and Turn Piece Attached
.KN	Knob Hole
.KP	Knob and Privacy Button Hole (only sold in Pairs)
.KE	Knob and Emergency Release Hole
.KCIS	Cut for Cylinder Inside*
.KEIS	Cut for Emergency Release Inside*
.KNIS	Cut for Knob Inside*
.KTIS	Cut for Turn Piece Inside*
.KCOS	Cut for Cylinder Outside **
.KEOS	Cut for Emergency Release Outside**
.KNOS	Cut for Knob Outside**
.KTOS	Cut for Turn Piece Outside**

*Surface Mounted Thru-Bolt

** Thru-Bolted (No Surface Screws)

MORTISE LOCKS

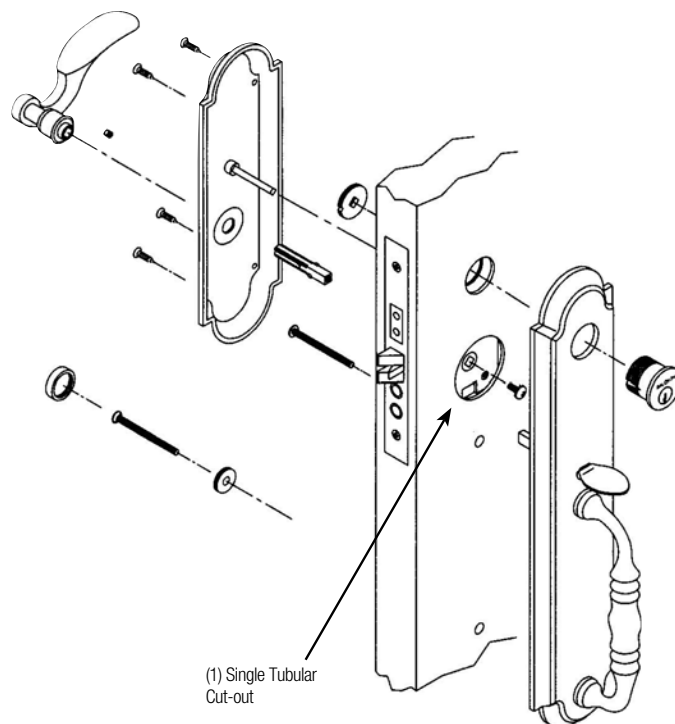
Function Code	Description
.R	Right-handed Mortise Lock (Knobs)
.L	Left-handed Mortise Lock (Knobs)
.RLS	Right-handed Mortise Lock Lever Strength (Levers)
.LLS	Left-handed Mortise Lock Lever Strength (Levers)
.RR	Right-handed Reverse Bevel Mortise Lock (Knobs)
.LR	Left-handed Reverse Bevel Mortise Lock (Knobs)
.RRLS	Right-handed Reverse Bevel Mortise Lock Lever Strength (Levers)
.LRLS	Left-handed Reverse Bevel Mortise Lock Lever Strength (Levers)
.LRB1	Right-handed Reverse Bevel Mortise Lock Lever Strength (Levers) w/ 1" Front
.RRB1	Left-handed Reverse Bevel Mortise Lock Lever Strength (Levers) w/ 1" Front

MORTISE LOCKS

Pre-Drilled Doors



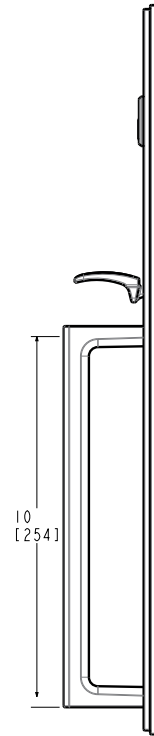
This symbol signifies that the illustrated lock trim will cover most single tubular cut-outs when used with appropriate backset mortise lock. Individual conditions should be examined to confirm acceptability.



Exterior Handle Set Grip Center to Center Specifications

Below are the handle set grip center to center specifications for all Mortise handle sets.

Item#	Description	Grip CTC
6542.xxx.ENTR	6542 TREMONT	7.000
6544.xxx.RENT /.LENT	6544 HAMILTON	7.000
6560.xxx.ENTR	6560 LEXINGTON	6.500
6571.xxx.ENTR	6571 CONCORD	5.500
6573.xxx.ENTR	6573 SPRINGFIELD	6.500
6921.xxx.RENT /.LENT	6921 PALM SPRINGS	8.000
6944.xxx.RENT /.LENT	6944 PASADENA	8.000
6946.xxx.ENTR	6946 HOLLYWOOD HILLS	10.000
6950.xxx.RENT /.LENT	6950 KENSINGTON	6.500
6952.xxx.RENT /.LENT	6952 EDINBURGH	8.000
6963.xxx.RENT /.LENT	6963 BRISTOL	6.000
6966.xxx.RENT /.LENT	6966 LAKESHORE	6.500
6971.xxx.RENT/LENT	6971 Gramercy 20" Full Escutcheon	10.000
6972.xxx.RENT/LENT	6972 t" Full Escutcheon	10.000
6976.xxx.RENT /.LENT	6976 MINNEAPOLIS 16"	7.000
6977.xxx.RENT /.LENT	6977 MINNEAPOLIS 20"	10.000
M502.xxx.ENTR	M502 CODY 3/4 ESCUTCHEON	8.000
M502.xxx.RENT /.LENT	M502 CODY 3/4 ESCUTCHEON	8.000
M504.xxx.ENTR	M504 CODY FULL ESCUTCHEON	8.000
M504.xxx.RENT /.LENT	M504 CODY FULL ESCUTCHEON	8.000
M512.xxx.ENTR	M512 BOULDER 3/4 ESCUTCHEON	8.000
M512.xxx.RENT /.LENT	M512 BOULDER 3/4 ESCUTCHEON	8.000
M514.xxx.ENTR	M514 BOULDER FULL ESCUTCHEON	8.000
M514.xxx.RENT /.LENT	M514 BOULDER FULL ESCUTCHEON	8.000
M516.xxx.RENT /.LENT	M516 SOHO 3/4 ESCUTCHEON	8.000
M522.xxx.ENTR	M522 BETHPAGE 3/4 ESCUTCHEON	7.750
M522.xxx.RENT /.LENT	M522 BETHPAGE 3/4 ESCUTCHEON	7.750



MORTISE LOCKS

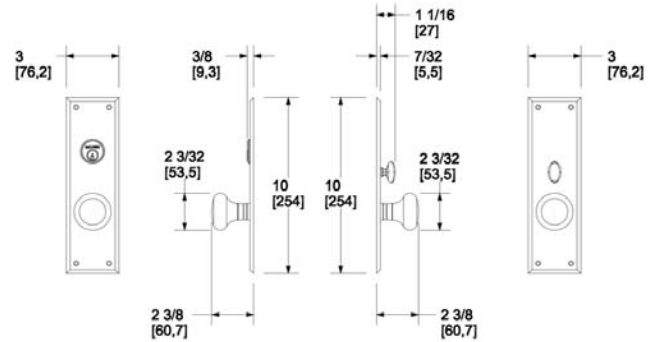


003, 031, 033
044, 050, 055, 056
060, 076, 102, 112,
190, 260



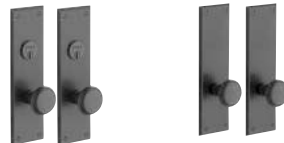
	Item #	Description	Wt.	
SET	6552.xxx.ENTR	Entrance Trim	Set 3.6	\$760
	6552.xxx.DBLC	Double Cylinder	Set	\$760
	6552.xxx.FD	Full Dummy	Set	\$760
	6552.xxx.ENFD†	1 Active Entrance Set + 1 Full Dummy Set	2 Sets	\$1,520
EXT	6552.xxx.DM	Dummy Exterior Trim	Each	\$330
INTERIOR		Interior Escutcheon –		
	6767.xxx.KC	Cut for Cylinder (KC), Double Cylinder	Each	\$295
	6767.xxx.KE**	Cut for Emergency Release (KE)	Each	\$295
	6767.xxx.KN	Cut for Knob (KN), Passage/Dummy	Each	\$295
	6767.xxx.KT	Interior Escutcheon w/ Turn Knob (KT)	Each	\$348
	6767.xxx.KP	Escutcheons Cut for Privacy (KP)	Pair	\$590

†.ENFD only available in 050 & 112, to ensure a finish match on all components.



*UNIT OF MEASURE: inches [mm]

Trim thickness: .1875" – D



Sets	6552.xxx.ENTR	6552.xxx.DBLC	6552.xxx.FD
Exterior Trim	6767.xxx.KC	6767.xxx.KC	6767.xxx.KN
Interior Escutcheon	6767.xxx.KT	6767.xxx.KC	6767.xxx.KN
Knob/Lever	5015.xxx.MR (Pair)	5015.xxx.MR (Pair)	5015.xxx.MR (Pair)
Spindle	0522.004 (4" Swivel)	0522.004 (4" Swivel)	5099.0042
Cylinder	8322 (1.75" door)	• 8322.xxx.DBL	0511.004
Mortise Lock	•	•	
Blocking Ring		• 8440.xxx.002 (x2)	



A La Carte	Entrance	Privacy	Passage
Exterior Trim	6767.xxx.KC	6767.xxx.KE	6767.xxx.KN
Interior Escutcheon	6767.xxx.KT	6767.xxx.KT or .KP	6767.xxx.KN
Knob/Lever	5106.xxx.MR (Pair)	5015.xxx.MR (Pair)	5015.xxx.MR (Pair)
Spindle	•	•	•
Cylinder	•		
Mortise Lock	•	• Tubular Latch & Mortise Bolt / or Mortise Lock	• Tubular Latch / or Mortise Lock
Blocking Ring			
Turn Knob			

REQUIRED

MUST ORDER SEPERATELY

shown in grey

****(All .KE hardware include 6701 ER cover)**

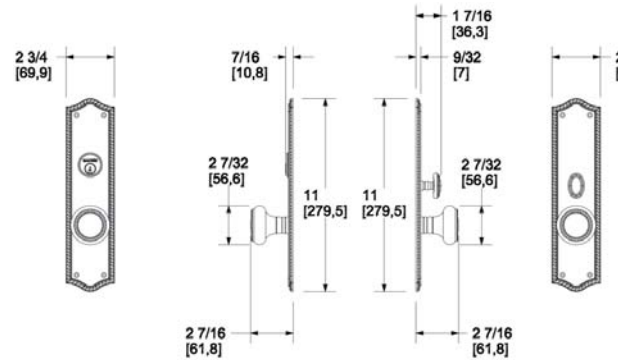
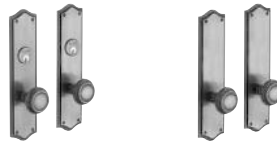


003, 031, 033
044, 050, 055, 056
060, 076, 102, 112,
190, 260



	Item #	Description	Wt.	
SET	6554.xxx.ENTR	Entrance Trim – Barclay	Set	\$760
	6554.xxx.DBLC	Double Cylinder	Set	\$760
	6554.xxx.FD	Full Dummy	Set	\$760
	6554.xxx.ENFD†	1 Active Entrance Set + 1 Full Dummy Set	2 Sets	\$1,520
EXT	6554.xxx.DM	Dummy Exterior only	Each	\$330
INTERIOR		Interior Escutcheon –		
	6991.xxx.KC	Cut for Cylinder (KC), Double Cylinder	Each	\$295
	6991.xxx.KE**	Cut for Emergency Release (KE)	Each	\$295
	6991.xxx.KN	Cut for Knob (KN), Passage/Dummy	Each	\$295
	6991.xxx.KT	Interior Escutcheon w/ Turn Knob (KT)	Each	\$348
	6991.xxx.KP	Escutcheons Cut for Privacy (KP)	Pair	\$590

†.ENFD only available in 050 & 112, to ensure a finish match on all components.



Sets	6554.xxx.ENTR	6554.xxx.DBLC	6554.xxx.FD
Exterior Trim	6991.xxx.KC	6991.xxx.KC	
Interior Escutcheon	6991.xxx.KT	6991.xxx.KC	6991.xxx.KN (x2)
Knob/Lever	5064.xxx.MR (Pair)	5064.xxx.MR (Pair)	5064.xxx.MR (Pair)
Spindle	0522.004 (4" Swivel)	0522 (4" Swivel)	0511.004 (4" Straight)
Cylinder	8323 (1.75" door)	• 8324.XXX.DBL	5099.004 (x2)
Mortise Lock	• (Knob Strength)	• (Knob Strength)	
Blocking Ring		• 8440.xxx.001	



A La Carte

Passage

Exterior Trim	6991.xxx.KN
Interior Escutcheon	6991.xxx.KN
Knob/Lever	5064.xxx.MR
Spindle	•
Cylinder	
Mortise Lock	• Tubular Latch / or Mortise Lock
Blocking Ring	
Turn Knob	

REQUIRED

MUST ORDER SEPERATELY

shown in grey

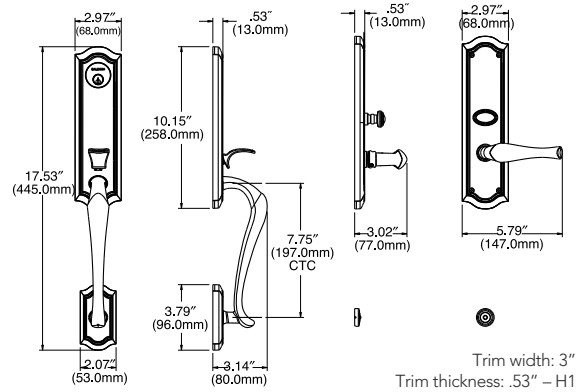
****(All .KE hardware include 6701 ER cover)**



003, 031, 033, 044
050, 055, 056, 060
076, 102, 112,
190, 260, 402



	Item #	Description	Wt.		
SET	M522.xxx.ENTR	Entrance Trim – Knob	Set 9.5	\$760	
	M522.xxx.RENT (LENT)	Entrance Trim – Lever	Set	\$760	
EXT	M522.xxx.FD	Full Dummy – Knob	Set	\$760	
	M522.xxx.RFD (LFD)	Full Dummy – Lever	Set	\$760	
INTERIOR	M522.xxx	Active Exterior Trim	Each	\$330	
	M522.xxx.DM	Dummy Exterior Trim	Each	\$330	
	M522.xxx.KC	Interior Escutcheon – Cut for Cylinder (KC), Double Cylinder	Each	\$295	
	M522.xxx.KE**	Cut for Emergency Release (KE)	Each	\$295	
	M522.xxx.KN	Cut for Knob (KN), Passage/Dummy	Each	\$295	
	M522.xxx.KT	Interior Escutcheon w/ Turn Knob (KT)	Each	\$348	



MORTISE LOCKS

Lever Sets	M522.xxx.RENT (LENT)	M522.xxx.RFD (LFD)
Exterior Trim	M522.xxx	M522.xxx.DM
Interior Escutcheon	M522.xxx.KT	M522.xxx.KN
Knob/Lever	5447V.xxx.LMR (RMR)	5447V.xxx.LMR (RMR)
Spindle	0530.004 (2.375" Half)	5077.004 (1.5" Dummy)
Cylinder	8325 (1.75" door)	6761 (Dummy)
Mortise Lock	•	
Blocking Ring		



Knob Sets	M522.xxx.ENTR	M522.xxx.FD
Exterior Trim	M522.xxx	M522.xxx.DM
Interior Escutcheon	M522.xxx.KT	M522.xxx.KN
Knob/Lever	5077.xxx.IMR	5077.xxx.IMR
Spindle	0530.004 (2.375" Half)	5077.004 (1.5" Dummy)
Cylinder	8325 (1.75" door)	6761 (Dummy)
Mortise Lock	•	
Blocking Ring		

*QUICK SHIP is available in functions and finishes shown in red.

SEE BACK COVER FLAP for easy-ordering charts and requirements for doors thicker than 1.75"

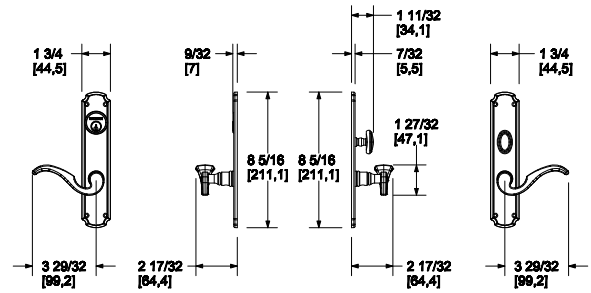


003, 031, 033
044, 050, 055, 056
060, 076, 102, 112
190, 260



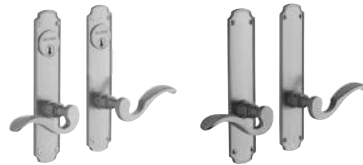
	Item #	Description		Wt.	
SET	6942.xxx.ENTR	Entrance Trim	Set	3.0	\$760
	6942.xxx.DBLC	Double Cylinder	Set		\$760
	6942.xxx.FD	Full Dummy	Set		\$760
	6942.xxx.ENFD†	1 Active Entrance Set + 1 Full Dummy Set	2 Sets		\$1,520
EXT	6942.xxx.RDM (LDM)	Dummy Exterior only	Each		\$330
INTERIOR		Interior Escutcheon –			
	6986.xxx.KC	Cut for Cylinder (KC), Double Cylinder	Each		\$295
	6986.xxx.KE**	Cut for Emergency Release (KE)	Each		\$295
	6986.xxx.KN	Cut for Knob (KN), Passage/Dummy	Each		\$295
	6986.xxx.KT	Interior Escutcheon w/ Turn Knob (KT)	Each		\$348

†.ENFD only available in 050 & 112, to ensure a finish match on all components.



*UNIT OF MEASURE: inches [mm]

Trim thickness: .125" – C



Sets	6942.xxx.ENTR	6942.xxx.DBLC	6942.xxx.FD
Exterior Trim	6986.xxx.KC	6986.xxx.KC	6986.xxx.KN
Interior Escutcheon	6986.xxx.KT	6986.xxx.KC	6986.xxx.KN
Knob/Lever	5152.xxx.MR (Pair)	5152.xxx.MR (Pair)	5152.xxx.MR (Pair)
Spindle	0522.004 (4" Swivel)	0522.004 (4" Swivel)	0511.004 (4" Straight)
Cylinder	8322 (1.75" door)	8321.xxx.DBLC	5099.004 (x2)
Mortise Lock	• (Lever Strength)	• (Lever Strength)	
Blocking Ring		• 8440.xxx.1	

A La Carte	Entrance	Privacy	Passage
Exterior Trim	6986.xxx.KC	6986.xxx.KE**	6986.xxx.KN
Interior Escutcheon	6986.xxx.KT	6986.xxx.KT	6986.xxx.KN
Knob/Lever	5064.xxx.MR	5152.xxx.MR	5152.xxx.MR
Spindle	•	•	•
Cylinder	•		
Mortise Lock	•	• Tubular Latch & Mortise Bolt / or Mortise Lock	• Tubular Latch / or Mortise Lock
Blocking Ring			
Turn Knob			

REQUIRED

MUST ORDER SEPARATELY
shown in grey

SEE BACK COVER FLAP for easy-ordering charts and requirements for doors thicker than 1.75"

** (All .KE hardware include 6701 ER cover)

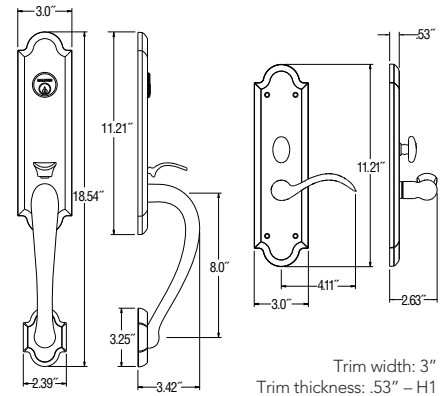
MORTISE LOCKS



003, 031, 033
044, 050, 055, 056
060, 076, 102, 112
190, 260



	Item #	Description	Wt.	
SET	M512.xxx.ENTR	Entrance Trim – Knob	Set 9.5	\$760
	M512.xxx.RENT (LENT)	Entrance Trim – Lever	Set	\$760
	M512.xxx.FD	Full Dummy – Knob	Set	\$760
	M512.xxx.RFD (LFD)	Full Dummy – Lever	Set	\$760
EXT	M512.xxx	Active Exterior Trim	Each	\$330
	M512.xxx.DM	Dummy Exterior Trim	Each	\$330
INTERIOR		Interior Escutcheon –		
	M512.xxx.KC	Cut for Cylinder (KC), Double Cylinder	Each	\$295
	M512.xxx.KE**	Cut for Emergency Release (KE)	Each	\$295
	M512.xxx.KN	Cut for Knob (KN), Passage/Dummy	Each	\$295
	M512.xxx.KT	Interior Escutcheon w/ Turn Knob (KT)	Each	\$348



MORTISE LOCKS



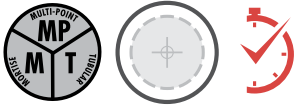
Lever Sets	M512.xxx.RENT (LENT)	M512.xxx.RDBL (LDBL)	M512.xxx.RFD (LFD)
Exterior Trim	M512.xxx	M512.xxx	M512.xxx.DM
Interior Escutcheon	M512.xxx.KT	M512.xxx.KC	M512.xxx.KN
Knob/Lever	5452V.xxx.LMR (RMR)	5452V.xxx.LMR (RMR)	5452V.xxx.LMR (RMR)
Spindle	0530.004 (2.375" Half)	0530 (2.375" Half)	5077.004 (1.5" Dummy)
Cylinder	8325 (1.75" door)	• 8324.xxx.DBL	6761 (Dummy)
Mortise Lock	•	•	
Blocking Ring		•	



Knob Sets	M512.xxx.ENTR	M512.xxx.DBLC	M512.xxx.FD
Exterior Trim	M512.xxx	M512.xxx	M512.xxx.DM
Interior Escutcheon	M512.xxx.KT	M512.xxx.KC	M512.xxx.KN
Knob/Lever	5024.xxx.IMR	5024.xxx.IMR	5024.xxx.IMR
Spindle	0530.004 (2.375" Half)	0530.004 (2.25" Half)	5077.004 (1.5" Dummy)
Cylinder	8325 (1.75" door)	(Double)	6761 (Dummy)
Mortise Lock	•	•	
Blocking Ring		•	

** (All .KE hardware include 6701 ER cover)

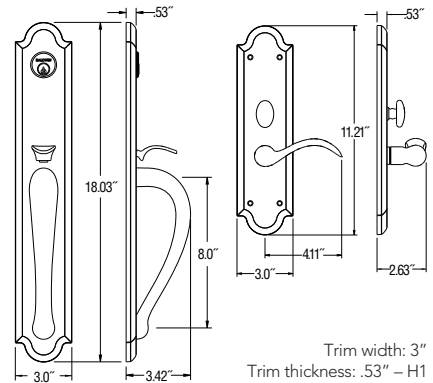
SEE BACK COVER FLAP for easy-ordering charts and requirements for doors thicker than 1.75"



003, 031, 033, 044
050, 055, 056, 060
076, 102, 112,
190, 260, 402



	Item #	Description	Wt.	
SET	M514.xxx.ENTR	Entrance Trim – Knob	Set 9.5	\$990
	M514.xxx.RENT (LENT)	Entrance Trim – Lever	Set	\$990
	M514.xxx.FD	Full Dummy – Knob	Set	\$990
	M514.xxx.RFD (LFD)	Full Dummy – Lever	Set	\$990
EXT	M514.xxx	Active Exterior Trim	Each	\$560
	M514.xxx.DM	Dummy Exterior Trim	Each	\$560
INTERIOR		Interior Escutcheon –		
	M512.xxx.KC	Cut for Cylinder (KC), Double Cylinder	Each	\$295
	M512.xxx.KE**	Cut for Emergency Release (KE)	Each	\$295
	M512.xxx.KN	Cut for Knob (KN), Passage/Dummy	Each	\$295
	M512.xxx.KT	Interior Escutcheon w/ Turn Knob (KT)	Each	\$348



MORTISE LOCKS

Lever Sets

	M514.xxx.RENT (LENT)	M514.xxx.RDBL (LFD)	M514.xxx.RFD (LFD)
Exterior Trim	M514.xxx	M514.xxx	M514.xxx.DM
Interior Escutcheon	M514.xxx.KT	M512.xxx.KC	M512.xxx.KN
Knob/Lever	5452V.xxx.LMR (RMR)	5452V.xxx.LMR (RMR)	5452V.xxx.LMR (RMR)
Spindle	0530.004 (2.375" Half)	0530 (2.375" Half)	5077.004 (1.5" Dummy)
Cylinder	8325 (1.75" door)	• 8324.xxx.DBL	6761 (Dummy)
Mortise Lock	•	•	
Blocking Ring		•	



Knob Sets

	M514.xxx.ENTR	M514.xxx.DBLC	M514.xxx.FD
Exterior Trim	M514.xxx	M514.xxx	M514.xxx.DM
Interior Escutcheon	M512.xxx.KT	M512.xxx.KC	M512.xxx.KN
Knob/Lever	5024.xxx.IMR	5024.xxx.IMR	5024.xxx.IMR
Spindle	0530.004 (2.375" Half)	0530.004 (2.375" Half)	5077.004 (1.5" Dummy)
Cylinder	8325 (1.75" door)	8324.xxx.DBL	6761 (Dummy)
Mortise Lock	•	•	
Blocking Ring		•	

****(All .KE hardware include 6701 ER cover)**
SEE BACK COVER FLAP for easy-ordering charts and requirements for doors thicker than 1.75"

***QUICK SHIP** is available in functions and finishes shown in red.

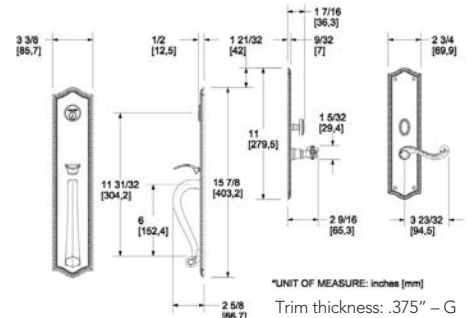


003, 031, 033
044, 050, 055, 056
060, 076, 102, 112,
190, 260



Item #	Description	Wt.	
6963.xxx.RENT (LENT)	Entrance Trim – Bristol	Set	\$1,219
6963.xxx.RDBL (LBDL)	Double Cylinder	Set	\$1,219
6963.xxx.RFD (LFD)	Full Dummy	Set	\$1,219
6963.xxx.ENFD†	1 Active Entrance Set + 1 Full Dummy Set	2 Sets	\$2,438
6627.xxx.BB75	Entrance Back-to-Back - 1.75" door	Set	\$1,642
6627.xxx.BB30	Entrance Back-to-Back - up to 3" door	Set	\$1,642
6627.xxx.BBFD	Dummy Back-to-Back	Set	\$1,642
6627.xxx	Active Exterior Trim only	Each	\$880
6627.xxx.DM	Dummy Exterior only	Each	\$880
INTERIOR			
Interior Escutcheon –			
6991.xxx.KC	Cut for Cylinder (KC), Double Cylinder	Each	\$295
6991.xxx.KE**	Cut for Emergency Release (KE)	Each	\$295
6991.xxx.KN	Cut for Knob (KN), Passage/Dummy	Each	\$295
6991.xxx.KT	Interior Escutcheon w/ Turn Knob (KT)	Each	\$348
6991.xxx.KP	Escutcheons Cut for Privacy (KP)	Pair	\$590

NOTE: For interior trim, see Bardley.
†.ENFD only available in 050 & 112, to ensure a finish match on all components.



Sets

	6963.xxx.LENT (RENT)	6963.xxx.LDBL (RDBL)	6963.xxx.LFD (RFD)	6627.xxx.BB75 (BB30, BBFD)
Exterior Trim	6627.xxx	6627.xxx	6627.xxx.DM	6627.xxx (x2)
Interior Escutcheon	6991.xxx.KT	6991.xxx.KC	6991.xxx.KN	
Knob/Lever	5104.xxx.RMR (LMR)	5104.xxx.RMR (LMR)	5104.xxx.RMR (LMR)	
Spindle	0530.004 (2.375" Half)	0530.004 (2.375" Half)	5092.004 (1.125" Dummy)	•
Cylinder	8323 (1.75" door)	• 8323.000.DBL	6761 (Dummy)	• 8323.000.DBL
Mortise Lock	• (Lever Strength)	• (Lever Strength)		•
Blocking Ring		• 8440.xxx.001		•

In an effort to simplify the mortise trim offering, some escutcheon trim sets will no longer be available pre-configured. However, these configurations are still available a la carte. See breakouts below by function.

A La Carte

	Entry	Double Cylinder	Full Dummy
Exterior Trim	6991.xxx.KC	6991.xxx.KC	6991.xxx.KN
Interior Escutcheon	6991.xxx.KT	6991.xxx.KC	6991.xxx.KN
Knob/Lever	5104.xxx.MR (Pair)	5104.xxx.MR (Pair)	5104.xxx.MR (Pair)
Spindle	0522.004 (4" Swivel)	0522.004 (4" Swivel)	5099.004 & 0511.004 (2 EA)
Cylinder	•	• (Double)	
Mortise Lock	• (Lever Strength)	• (Lever Strength)	
Blocking Ring		•	

A La Carte

	Entrance	Privacy
Exterior Trim	6627.xxx	6691.xxx.KE**
Interior Escutcheon	6991.xxx.KT	6991.xxx.KT or .KP
Knob/Lever	Half Pair	Pair
Spindle	•	•
Cylinder	•	
Mortise Lock	•	•
Blocking Ring		
Turn Knob		

MUST ORDER SEPARATELY
shown in grey

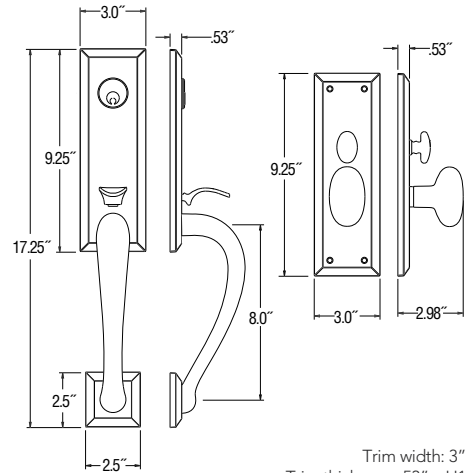
** (All .KE hardware include 6701 ER cover)



003, 031, 033
044, 050, 055, 056
060, 076, 102, 112
190, 260



	Item #	Description		Wt.	
SET	M502.xxx.ENTR	Entrance Trim – Knob	Set	9.5	\$760
	M502.xxx.RENT (LENT)	Entrance Trim – Lever	Set		\$760
	M502.xxx.FD	Full Dummy – Knob	Set		\$760
	M502.xxx.RFD (LFD)	Full Dummy – Lever	Set		\$760
EXT	M502.xxx	Active Exterior Trim	Each		\$330
	M502.xxx.DM	Dummy Exterior Trim	Each		\$330
INTERIOR		Interior Escutcheon –			
	M502.xxx.KC	Cut for Cylinder (KC), Double Cylinder	Each		\$295
	M502.xxx.KE**	Cut for Emergency Release (KE)	Each		\$295
	M502.xxx.KN	Cut for Knob (KN), Passage/Dummy	Each		\$295
	M502.xxx.KT	Interior Escutcheon w/ Turn Knob (KT)	Each		\$348



Trim width: 3"
Trim thickness: .53" – H1

Lever Sets

	M502.xxx.RENT (LENT)	M502.xxx.RDBL (LDBL)	M502.xxx.RFD (LFD)
Exterior Trim	M502.xxx	M502.xxx	M502.xxx.DM
Interior Escutcheon	M502.xxx.KT	M502.xxx.KC	M502.xxx.KN
Knob/Lever	5452V.xxx.LMR (RMR)	5452V.xxx.LMR (RMR)	5452V.xxx.LMR (RMR)
Spindle	0530.004 (2.375" Half)	0530 (2.375" Half)	5077.004 (1.5" Dummy)
Cylinder	8325.xxx (1.75" door)	8324.xxx.DBL	6761 (Dummy)
Mortise Lock	• (Lever Strength)	•	
Blocking Ring		•	



Knob Sets

	M502.xxx.ENTR	M502.xxx.DBLC	M502.xxx.FD
Exterior Trim	M502.xxx	M502.xxx	M502.xxx.DM
Interior Escutcheon	M502.xxx.KT	M502.xxx.KC	M502.xxx.KN
Knob/Lever	5024.xxx.IMR	5024.xxx.IMR	5024.xxx.IMR
Spindle	0530.004 (2.375" Half)	0530.004 (2.375" Half)	0511.004 (1.5" Dummy)
Cylinder	8325 (1.75" door)	(Double)	5099.004 (x2)
Mortise Lock	• (Lever Strength)	•	
Blocking Ring		•	

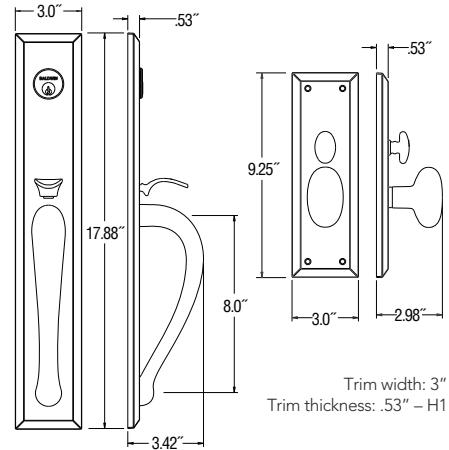
MORTISE LOCKS



003, 031, 033, 044
050, 055, 056, 060
076, 102, 112,
190, 260, 402



	Item #	Description	Set	Wt.	
SET	M504.xxx.ENTR	Entrance Trim – Knob	Set	9.5	\$990
	M504.xxx.RENT (LENT)	Entrance Trim – Lever	Set		\$990
	M504.xxx.FD	Full Dummy – Knob	Set		\$990
EXT	M504.xxx.RFD (LFD)	Full Dummy – Lever	Set		\$990
	M504.xxx	Active Exterior Trim	Each		\$560
INTERIOR	M504.xxx.DM	Dummy Exterior Trim	Each		\$560
		Interior Escutcheon –			
	M502.xxx.KC	Cut for Cylinder (KC), Double Cylinder	Each		\$295
	M502.xxx.KE**	Cut for Emergency Release (KE)	Each		\$295
	M502.xxx.KN	Cut for Knob (KN), Passage/Dummy	Each		\$295
	M502.xxx.KT	Interior Escutcheon w/ Turn Knob (KT)	Each		\$348



MORTISE LOCKS

Lever Sets

	M504.xxx.RENT (LENT)	M504.xxx.RDBL (LDBL)	M504.xxx.RFD (LFD)
Exterior Trim	M504.xxx	M504.xxx	M504.xxx.DM
Interior Escutcheon	M502.xxx.KT	M502.xxx.KC	M502.xxx.KN
Knob/Lever	5452V.xxx.LMR (RMR)	5452V.xxx.LMR (RMR)	5452V.xxx.LMR (RMR)
Spindle	0530.004 (2.375" Half)	0530.004 (2.375" Half)	5077.004 (1.5" Dummy)
Cylinder	8325 (1.75" door)	8324.000.DBL	6761 (Dummy)
Mortise Lock	•	•	
Blocking Ring		• 8440.xxx.001	



Knob Sets

	M504.xxx.ENTR	M504.xxx.DBLC	M504.xxx.FD
Exterior Trim	M504.xxx	M504.xxx	M504.xxx.DM
Interior Escutcheon	M502.xxx.KT	M502.xxx.KC	M502.xxx.KN
Knob/Lever	5024.xxx.IMR	5024.xxx.IMR	5024.xxx.IMR
Spindle	0530.004 (2.375" Half)	0530.004 (2.25" Half)	5077.004 (1.5" Dummy)
Cylinder	8325 (1.75" door)	8324.000.DBL	6761 (Dummy)
Mortise Lock	•	•	
Blocking Ring		•	

*QUICK SHIP is available in functions and finishes shown in red.

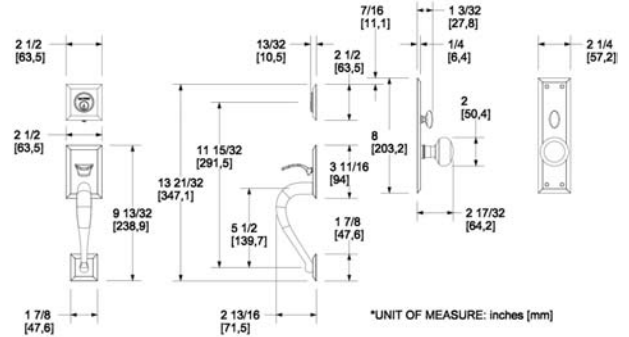


003, 031, 033
044, 050, 055, 056
060, 076, 102, 112
190, 260



	Item #	Description	Wt.	
SET	6571.xxx.ENTR	Entrance Trim	Set 3.8	\$760
	6571.xxx.DBLC	Double Cylinder	Set	\$760
	6571.xxx.FD	Full Dummy	Set	\$760
	6571.xxx.ENFD†	1 Active Entrance Set + 1 Full Dummy Set	2 Sets	\$1,520
EXT	6604.xxx	Active Exterior Trim only	Each	\$330
	6604.xxx.DM	Dummy Exterior only	Each	\$330
INTERIOR		Interior Escutcheon –		
	6794.xxx.KC	Cut for Cylinder (KC), Double Cylinder	Each	\$295
	6794.xxx.KE	Cut for Emergency Release (KE)	Each	\$295
	6794.xxx.KN	Cut for Knob (KN), Passage/Dummy	Each	\$295
	6794.xxx.KT	Interior Escutcheon w/ Turn Knob (KT)	Each	\$348

†.ENFD only available in 050 & 112, to ensure a finish match on all components.



Trim width: 2.5"
Trim thickness: .25" – E

Sets

	6571.xxx.ENTR	6571.xxx.DBLC	6571.xxx.FD
Exterior Trim	6604.xxx	6604.xxx	6604.xxx.DM
Interior Escutcheon	6794.xxx.KT	6794.xxx.KC	6794.xxx.KN
Knob/Lever	5000.xxx.IMR	5000.xxx.IMR	5000.xxx.IMR
Spindle	0530.004 (2.375" Half)	0530.004 (2.375" Half)	5092.004 (1.125" Dummy)
Cylinder	8323 (1.75" door)	• 8322.xxx.DBL	6761 (Dummy)
Mortise Lock	•	•	
Blocking Ring		• 8440.xxx.001	



A La Carte

	Entrance	Entrance	Double Cylinder	Privacy	Passage
Exterior Trim	6604.xxx	6794.xxx.KC	6794.xxx.KC	6794.xxx.KE**	
Interior Escutcheon	6794.xxx.KT	6794.xxx.KT	6794.xxx.KC	6794.xxx.KT	6794.xxx.KN (x2)
Knob/Lever	5106.xxx.RMR	5000.xxx.MR	5000.xxx.MR	5000.xxx.MR	5000.xxx.MR
Spindle	0530.004 (2.375" Half)	0522.004 (4" spindle)	0522.004 (4" spindle)	0522.004 (4" spindle)	•
Cylinder	•		• 8322.xxx.DBL		
Mortise Lock	• (Lever Strength)	•	•	• Tubular Latch & Mortise Bolt / or Mortise Lock	• Tubular Latch / or Mortise Lock
Blocking Ring			•		
Turn Knob					

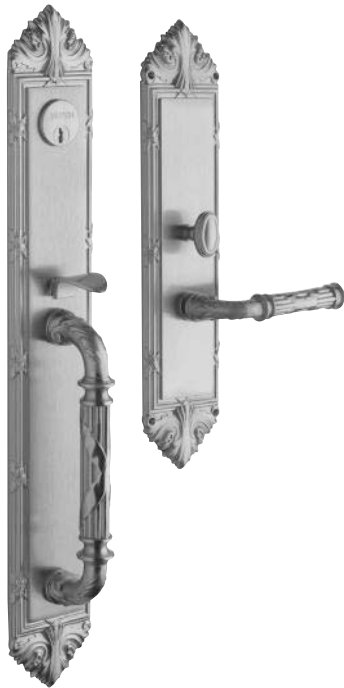
MUST ORDER SEPERATELY

shown in grey

***(All .KE hardware include 6701 ER cover)

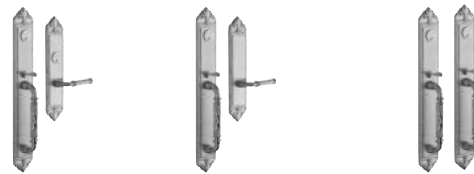
800.437.7448

003, 031, 033
044, 050, 055, 056
060, 076, 102, 112,
190, 260



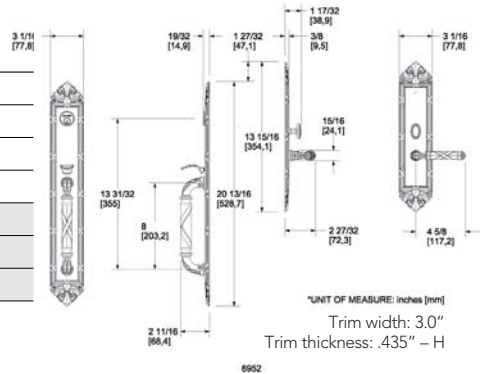
	Item #	Description		Wt.	
SET	6952.xxx.RENT (LENT)	Entrance Trim – Edinburgh	Set	9.5	\$1,219
	6952.xxx.RDBL (LDBL)	Double Cylinder	Set		\$1,219
	6952.xxx.RFD (LFD)	Full Dummy	Set		\$1,219
	6952.xxx.ENFD†	1 Active Entrance Set + 1 Full Dummy Set	2 Sets		\$2,438
	6652.xxx.BB75	Entrance Back-to-Back – 1.75" door	Set		\$1,642
	6652.xxx.BB30	Entrance Back-to-Back – up to 3" door	Set		\$1,642
EXT	6652.xxx	Active Exterior Trim only	Each		\$880
	6652.xxx.DM	Dummy Exterior only	Each		\$880
INTERIOR		Interior Escutcheon –			
	6789.xxx.KC	Cut for Cylinder (KC), Double Cylinder	Each		\$295
	6789.xxx.KE**	Cut for Emergency Release (KE)	Each		\$295
	6789.xxx.KN	Cut for Knob (KN), Passage/Dummy	Each		\$295
	6789.xxx.KT	Interior Escutcheon w/ Turn Knob (KT)	Each		\$348
	6789.xxx.KP	Escutcheons Cut for Privacy (KP)	Pair		\$590

†.ENFD only available in 050 & 112, to ensure a finish match on all components.



Sets

	6952.xxx.LENT (RENT)	6952.xxx.LDBL (RDBL)	6952.xxx.LFD (RFD)	6652.xxx.BB75 (BB30, BBFD)
Exterior Trim	6652.xxx	6652.xxx	6652.xxx.DM	6652.xxx (x2)
Interior Escutcheon	6789.xxx.KT	6789.xxx.KC	6789.xxx.KN	
Knob/Lever	5122.xxx.RMR (LMR)	5122.xxx.RMR (LMR)	5122.xxx.RMR (LMR)	
Spindle	0530.004 (2.375" Half)	0530.004 (2.375" Half)	5092.004 (1.125" Dummy)	
Cylinder	8324 (1.75" door)	• 8323.xxx.DBL	6761 (Dummy)	• 8323.xxx.DBL
Mortise Lock	• (Lever Strength)	•		•
Blocking Ring		•		•



In an effort to simplify the mortise trim offering, some escutcheon trim sets will no longer be available pre-configured. However, these configurations are still available a la carte. See breakouts below by function.

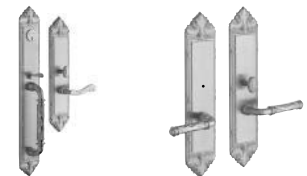
Formerly the Fenwick Configuration

A La Carte



	Entry	Double Cylinder	Full Dummy
Exterior Trim	6789.xxx.KC	6789.xxx.KC	
Interior Escutcheon	6789.xxx.KT	6789.xxx.KC	6789.xxx.KN (x2)
Knob/Lever	5122.xxx.MR (Pair)	5122.xxx.MR (Pair)	5122.xxx.MR (Pair)
Spindle	0522.004	0522.004	5099.004 & 0511.004 (2 EA)
Cylinder	•	• (Double)	
Mortise Lock	• (Lever Strength)	• (Lever Strength)	
Blocking Ring		•	

A La Carte



	Edinburgh Entrance	Privacy
Exterior Trim	6652.xxx	6789.xxx.KE**
Interior Escutcheon	6789.xxx.KT	6789.xxx.KT
Knob/Lever	Half Pair	Pair
Spindle	•	•
Cylinder	•	
Mortise Lock	•	• Tubular Latch & Mortise Bolt / or Mortise Lock
Blocking Ring		
Turn Knob		

REQUIRED

MUST ORDER SEPARATELY
shown in grey

** (All .KE hardware include 6701 ER cover)

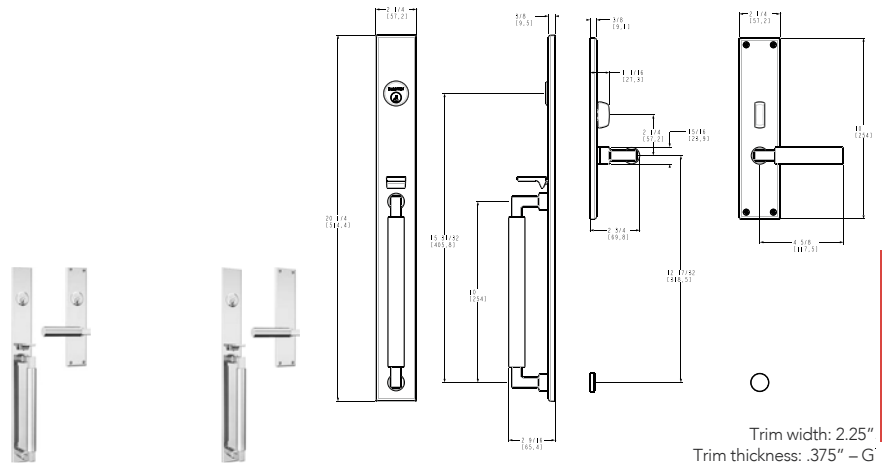
SEE BACK COVER FLAP for easy-ordering charts and requirements for doors thicker than 1.75"



003, 031, 033, **044** M01, M02, M03,
 050, **055, 056, 060** M04, M05, M06,
076, 102, 112, M07, M08, M09,
190, 260, 402 M10



	Item #	Description	Wt.		
SET	6971.xxx.RENT (LENT)	Entrance Trim - Gramercy	9.1	\$1,371	\$1,508
	6971.xxx.RDBL (LDBL)	Double Cylinder	8.8	\$1,371	\$1,508
	6971.xxx.RFD (LFD)	Full Dummy	8.8	\$1,371	\$1,508
EXT	6971.xxx	Active Exterior Set	6.3	\$880	\$968
	6971.xxx.DM	Dummy Exterior Set	5.4	\$880	\$968
INTERIOR		Interior Escutcheon -			
	6513.xxx.KC	Cut for Cylinder (KC), Double Cylinder		\$295	
	6513.xxx.KE**	Cut for Emergency Release (KE)		\$295	
	6513.xxx.KN	Cut for Knob(KN), Passage/Dummy		\$295	
	6514.xxx.KT	Interior Escutcheon w/ Turn Knob (KT)		\$348	
	6513.xxx.KP	Escutcheons cut for Privacy(KP)		\$590	



MORTISE LOCKS

Sets	6971.xxx.RENT (LENT)	6971.xxx.RDBL (LDBL)	6971.xxx.RFD (LFD)
Exterior Trim	6971.xxx	6971.xxx	6971.xxx
Interior Escutcheon	6514.xxx.KT	6513.xxx.KC	6513.xxx.KN
Knob/Lever	L029.xxx.LMR (RMR)	L029.xxx.LMR (RMR)	L029.xxx.LMR (RMR)
Spindle	0530.004 (2.375" Half)	0530.004 (2.375" Half)	5092.004 (1.125" Dummy)
Cylinder	8323 (1.75" Door)	8323.xxx.DBL	6761 (Dummy)
Mortise Lock	*(Lever Strength)	*	
Blocking Ring		*8440.xxx.001	

MUST ORDER SEPERATELY
 shown in grey

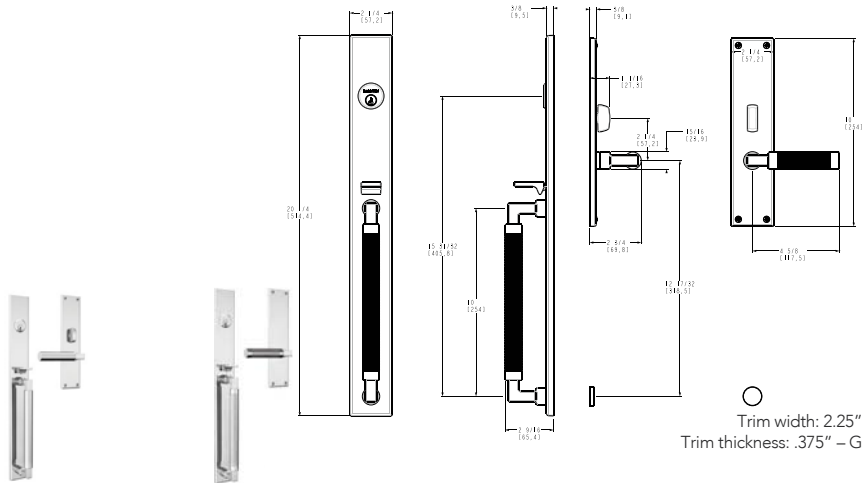
****(All .KE hardware include 6701 ER cover)**
 SEE BACK COVER FLAP for easy-ordering charts and requirements for doors thicker than 1.75"

***QUICK SHIP** is available in functions and finishes shown in red.



003, 031, 033, **044** M01, M02, M03,
050, **055, 056, 060** M04, M05, M06,
076, 102, 112, M07, M08, M09,
190, 260, 402 M10

Item #	Description	Wt.		
SET	6972.xxx.RENT (LENT) Entrance Trim - Gramercy	9.1	\$1,440	\$1,577
	6972.xxx.RDBL (LDBL) Double Cylinder	8.8	\$1,440	\$1,577
	6972.xxx.RFD (LFD) Full Dummy	8.8	\$1,440	\$1,577
EXT	6972.xxx	6.3	\$924	\$1,012
	6972.xxx.DM	5.4	\$924	\$1,012
INTERIOR	Interior Escutchen -			
	6513.xxx.KC		\$295	
	6513.xxx.KE**		\$295	
	6513.xxx.KN		\$295	
	6514.xxx.KT		\$348	
	6513.xxx.KP		\$590	



MORTISE LOCKS

Sets

	6972.xxx.RENT (LENT)	6972.xxx.RDBL (LDBL)	6972.xxx.RFD (LFD)
Exterior Trim	6972.xxx	6972.xxx	6972.xxx
Interior Escutcheon	6514.xxx.KT	6513.xxx.KC	6513.xxx.KN
Knob/Lever	L030.xxx.LMR (RMR)	L030.xxx.LMR(RMR)	L030.xxx.LMR(RMR)
Spindle	0530.004 (2.375" Half)	0530.004 (2.375" Half)	5092.004 (1.125" Dummy)
Cylinder	8323 (1.75" door)	8323.xxx.DBL	6761 (Dummy)
Mortise Lock	• (Lever Strength)	•	
Blocking Ring		*8440.xxx.001	

MUST ORDER SEPERATELY
shown in grey

****(All .KE hardware include 6701 ER cover)**
SEE BACK COVER FLAP for easy-ordering charts and requirements for doors thicker than 1.75"

***QUICK SHIP** is available in functions and finishes shown in red.



003, 031, 033
044, 050, 055, 056
060, 076, 102, 112,
190, 260

	Item #	Description	Wt.	
SET	6544.xxx.RENT (LENT)	Entrance Trim – Hamilton	Set 9.0	\$1,219
	6544.xxx.RDBL (LDBL)	Double Cylinder	Set	\$1,219
	6544.xxx.RFD (LFD)	Full Dummy	Set	\$1,219
	6544.xxx.ENFD†	1 Active Entrance Set + 1 Full Dummy Set	2 Sets	\$2,438
	6622.xxx.BB75	Entrance Back-to-Back – 1.75" door	Set	\$1,642
	6622.xxx.BB30	Entrance Back-to-Back – up to 3" door	Set	\$1,642
	6622.xxx.BBFD	Dummy Back-to-Back	Set	\$1,642
EXT	6622.xxx	Active Exterior Trim only	Each	\$880
	6622.xxx.DM	Dummy Exterior only	Each	\$880
INTERIOR		Interior Escutcheon –		
	6791.xxx.KC	Cut for Cylinder (KC), Double Cylinder	Each	\$295
	6791.xxx.KE**	Cut for Emergency Release (KE**)	Each	\$295
	6791.xxx.KN	Cut for Knob (KN), Passage/Dummy	Each	\$295
	6791.xxx.KT	Interior Escutcheons w/ Turn Knob (KT)	Each	\$348

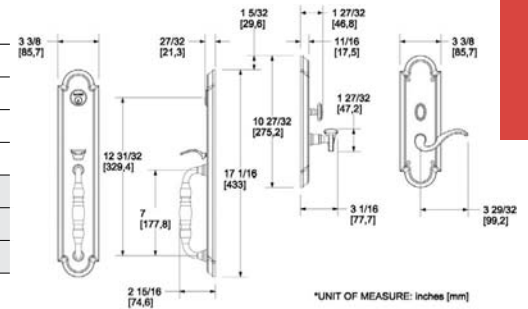
†.ENFD only available in 050 & 112, to ensure a finish match on all components.



Hamilton

Sets

	6544.xxx.RENT (LENT)	6544.xxx.RDBL (LDBL)	6544.xxx.RFD (LFD)	6622.xxx.BB75 (BB30, BBFD)
Exterior Trim	6622.xxx	6622.xxx	6622.xxx.DM	6622.xxx (x2)
Interior Escutcheon	6791.xxx.KT	6791.xxx.KC	6791.xxx.KN	
Knob/Lever	5152.xxx.RMR (LMR)	5152.xxx.RMR (LMR)	5152.xxx.RMR (LMR)	
Spindle	0531.004 (2.875" Half)	0531.004 (2.875" Half)	5077.004 (1.5" Dummy)	
Cylinder	8326 (1.75" door)	• 8326.xxx.DBL	6761 (Dummy)	• (Double)
Mortise Lock	• (Lever Strength)	•		•
Blocking Ring		• 8440.xxx.001		•



MORTISE LOCKS

In an effort to simplify the mortise trim offering, some escutcheon trim sets will no longer be available pre-configured. However, these configurations are still available a la carte. See breakouts below by function.

*UNIT OF MEASURE: inches [mm]
Trim width: 3.375"
Trim thickness: .75" – J



A La Carte

	Entry	Double Cylinder	Full Dummy
Exterior Trim	6791.xxx.KC	6791.xxx.KC	
Interior Escutcheon	6791.xxx.KT	6791.xxx.KC	6791.xxx.KN (x2)
Knob/Lever	5152.xxx.MR (Pair)	5152.xxx.MR (Pair)	5152.xxx.MR (Pair)
Spindle	0524.004 (5.5" Swivel)	0524.004 (5.5" Swivel)	0514.004 (5.5" Straight)
Cylinder	•	• (Double)	5099.004 (x2)
Mortise Lock	• (Lever Strength)	• (Lever Strength)	
Blocking Ring		•	

A La Carte

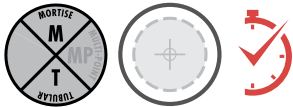
	Hamilton Entrance
Exterior Trim	6622.xxx
Interior Escutcheon	6791.xxx.KT
Knob/Lever	5064.xxx.IMR
Spindle	•
Cylinder	•
Mortise Lock	•
Blocking Ring	

REQUIRED

MUST ORDER SEPARATELY
shown in grey

SEE BACK COVER FLAP for easy-ordering charts and requirements for doors thicker than 1.75"

** (All .KE hardware include 6701 ER cover)

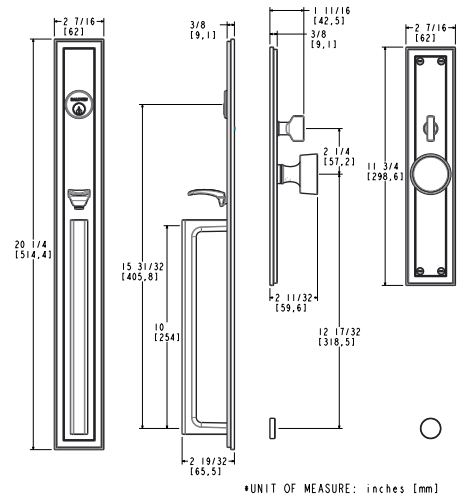


003, 031, 033, 044
050, 055, 056, 060
076, 102, 112,
190, 260, 402



	Item #	Description	Wt.	
SET	6946.xxx.ENTR	Entrance Trim- Hollywood Hills Handleset	Set	\$1,371
	6946.xxx.DBLC	Double Cylinder	Set	\$1,371
	6946.xxx.FD	Full Dummy	Set	\$1,371
	6946.xxx.ENFD†	1 Active Entrance Set + 1 Full Dummy Set	2 Sets	\$2,742
EXT	6946.xxx	Active Exterior Trim	Each	\$880
	6946.xxx.DM	Dummy Exterior Trim	Each	\$880
INTERIOR	Exterior Escutcheons (OS), Interior Escutcheon (IS)			
	6535.xxx.KCOS (KCIS)	Cut for Cylinder (KC), Double Cylinder	Each	\$364
	6535.xxx.KEOS (KEIS)**	Cut for Emergency Release (KE)	Each	\$364
	6535.xxx.KNOS (KNIS)	Cut for Knob (KN), Passage/Dummy	Each	\$364
	6535.xxx.KTIS (KTOS)	Interior Escutcheon w/ Turn Knob (KT)	Each	\$424

†.ENFD only available in 050 & 112, to ensure a finish match on all components.



Trim width: 2.44"
Trim thickness: .375" – G

MORTISE LOCKS

Sets	6946.xxx.ENTR	6946.xxx.DBLC	6946.xxx.FD
Exterior Trim	6946.xxx	6946.xxx	6946.xxx.DM
Interior Escutcheon	6535.xxx.KTIS	6535.xxx.KCIS	6535.xxx.KNIS
Knob/Lever	K008.xxx.IMR	K008.xxx.IMR	K008.xxx.IMR
Spindle	0530.004 (2.375" Half)	0530.004 (2.375" Half)	5077.004 (1.5" Dummy)
Cylinder	8323 (1.75" doors)	• 8323.xxx.DBLC	6761 (Dummy)
Mortise Lock	• (Knob Strength)	• (Knob Strength)	
Blocking Ring		• 8440.xxx.001	



A La Carte Entrance

REQUIRED

Exterior Trim	6946.xxx
Interior Escutcheon	6535.xxx.KTIS
Knob/Lever	IMR / RMR / LMR
Spindle	•
Cylinder	•
Mortise Lock	•
Blocking Ring	

MUST ORDER SEPERATELY
shown in grey

*QUICK SHIP is available in functions and finishes shown in red.

****(All .KE hardware include 6701 ER cover)**
SEE BACK COVER FLAP for easy-ordering charts and requirements for doors thicker than 1.75"

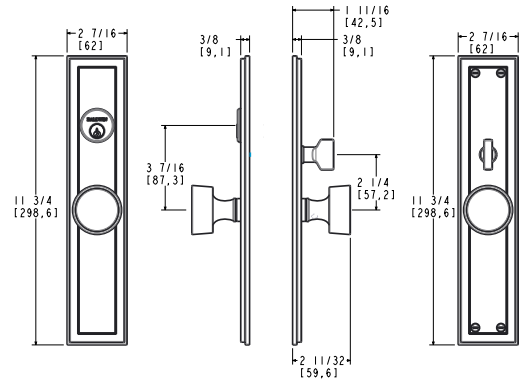


003, 031, 033, 044
050, 055, 056, 060
076, 102, 112,
190, 260, 402



	Item #	Description	Wt.	
SET	6945.xxx.ENTR	Entrance Trim – Hollywood Hills (Knob) Set	Set	\$860
	6945.xxx.DBLC	Double Cylinder	Set	\$860
	6945.xxx.FD	Full Dummy	Set	\$860
	6945.xxx.ENFD†	1 Active Entrance Set + 1 Full Dummy Set	2 Sets	\$1,720
EXT	6510.xxx.DM	Dummy Exterior Trim	Each	\$431
INTERIOR		Exterior Escutcheons (OS), Interior Escutcheon (IS)		
	6535.xxx.KCOS (KCIS)	Cut for Cylinder (KC), Double Cylinder	Each	\$364
	6535.xxx.KEOS (KEIS)**	Cut for Emergency Release (KE)	Each	\$364
	6535.xxx.KNOS (KNIS)	Cut for Knob (KN), Passage/Dummy	Each	\$364
	6535.xxx.KTIS	Interior Escutcheon w/ Turn Knob (KT)	Each	\$424

†.ENFD only available in 050 & 112, to ensure a finish match on all components.



Trim width: 2.44"
Trim thickness: .375" – G

Sets	6945.xxx.ENTR	6945.xxx.DBLC	6945.xxx.FD
Exterior Trim	6535.xxx.KCOS	6535.xxx.KCOS	6510.xxx.DM
Interior Escutcheon	6535.xxx.KTIS	6535.xxx.KCIS	6535.xxx.KNIS
Knob/Lever	K008.xxx.MR	K008.xxx.MR	K008.xxx.MR
Spindle	0522.004.ENTR	0522.004.DBLC	0511.004 // 5099.004 (x2)
Cylinder	8323 (1.75" door)	• 8323.xxx.DBL	
Mortise Lock	• (Knob Strength)	• (Knob Strength)	
Blocking Ring		• 8440.xxx.001	



A La Carte	Entrance	Privacy	Passage
Exterior Trim	6535.xxx.KCOS	6535.xxx.KEOS	6535.xxx.KNOS
Interior Escutcheon	6535.xxx.KTIS	6535.xxx.KTIS	6535.xxx.KNIS
Knob/Lever	Pair	Pair	Pair
Spindle	•	•	0511.004
Cylinder	•		
Mortise Lock	•	• Tubular Latch & Mortise Bolt / or Mortise Lock	• Tubular Latch / or Mortise Lock
Blocking Ring			

REQUIRED

MUST ORDER SEPERATELY

shown in grey

****(All .KE hardware include 6701 ER cover)**

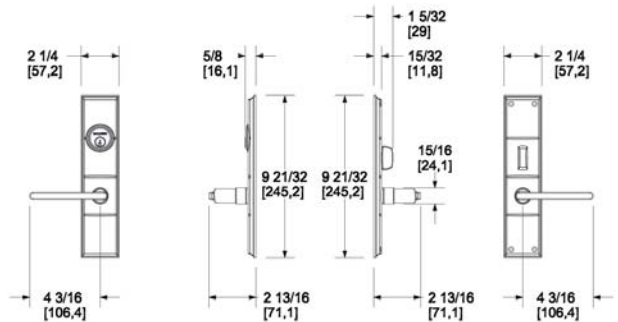
SEE BACK COVER FLAP for easy-ordering charts and requirements for doors thicker than 1.75"



003, 031, 033, 044
050, 055, 056, 060
076, 102, 112,
190, 260, 402

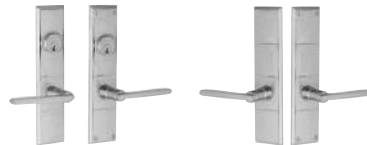
Item #	Description	Wt.	
6973.xxx.ENTR	Entrance Trim	Set 4.0	\$760
6973.xxx.DBLC	Double Cylinder	Set	\$760
6973.xxx.FD	Full Dummy	Set	\$760
6973.xxx.ENFD†	1 Active Entrance Set + 1 Full Dummy Set	2 Sets	\$1,520
6973.xxx.RDM (LDM)	Dummy Exterior only	Each	\$330
Interior Escutcheon –			
6506.xxx.KCOS (KCIS)	Cut for Cylinder (KC), Double Cylinder	Each	\$295
6506.xxx.KEOS (KEIS)	Cut for Emergency Release (KE)	Each	\$295
6506.xxx.KNOS (KNIS)	Cut for Knob (KN), Passage/Dummy	Each	\$295
6506.xxx.KTOS (KTIS)	Interior Escutcheon w/ Turn Knob (KT)	Each	\$348
6506.xxx.KP	Escutcheons Cut for Privacy (KP)	Pair	\$590

†.ENFD only available in 050 & 112, to ensure a finish match on all components.



*UNIT OF MEASURE: inches [mm]

Trim thickness: .435" – H



Sets	6973.xxx.ENTR	6973.xxx.DBLC	6973.xxx.FD
Exterior Trim	6506.xxx.KCOS	6506.xxx.KCOS	6506.xxx.KNOS
Interior Escutcheon	6506.xxx.KTIS	6506.xxx.KCIS	6506.xxx.KNIS
Knob/Lever	5164.xxx.MR (Pair)	5164.xxx.MR (Pair)	5164.xxx.MR (Pair)
Spindle	0522.004 (4" Swivel)	0522.004 (4" Swivel)	0511.004 (4" Solid)
Cylinder	8324 (1.75" door)	• 8323.xxx.DBL	5099.004 (x2)
Mortise Lock	• (Lever Strength)	• (Lever Strength)	
Blocking Ring		•	



A La Carte	Entrance	Privacy	Passage
Exterior Trim	6506.xxx.KCOS	6506.xxx.KEOS	6506.xxx.KNOS
Interior Escutcheon	6506.xxx.KTIS	6506.xxx.KTIS	6506.xxx.KNIS
Knob/Lever	Pair	Pair	Pair
Spindle	•	•	•
Cylinder	•		
Mortise Lock	•	• Tubular Latch & Mortise Bolt / or Mortise Lock	• Tubular Latch / or Mortise Lock
Blocking Ring			
Turn Knob			

REQUIRED

MUST ORDER SEPERATELY
shown in grey

****(All .KE hardware include 6701 ER cover)**

SEE BACK COVER FLAP for easy-ordering charts and requirements for doors thicker than 1.75"

003, 031, 033, 044
050, 055, 056, 060
076, 102, 112,
190, 260, 402



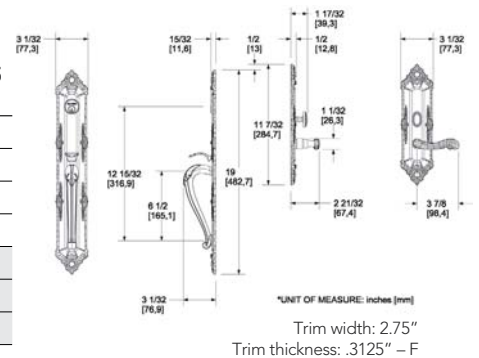
Item #	Description	Wt.		
6950.xxx.RENT (LENT)	Entrance Trim – Kensington	Set	9.5	\$1,219
6950.xxx.RDBL (LDBL)	Double Cylinder	Set		\$1,219
6950.xxx.RFD (LFD)	Full Dummy	Set		\$1,219
6950.xxx.ENFD†	1 Active Entrance Set + 1 Full Dummy Set	2 Sets		\$2,438
6624.xxx.BB75	Entrance Back-to-Back – 1.75" door	Set		\$1,642
6624.xxx.BB30	Entrance Back-to-Back – up to 3" door	Set		\$1,642
6624.xxx.BBFD	Dummy Back-to-Back	Set		\$1,642
6624.xxx	Active Exterior Trim only	Each		\$880
6624.xxx.DM	Dummy Exterior only	Each		\$880
	Interior Escutcheon –			
6790.xxx.KC	Cut for Cylinder (KC), Double Cylinder	Each		\$295
6790.xxx.KE**	Cut for Emergency Release (KE)	Each		\$295
6790.xxx.KN	Cut for Knob (KN), Passage/Dummy	Each		\$295
6790.xxx.KT	Interior Escutcheon w/ Turn Knob (KT)	Each		\$348
6790.xxx.KP	Escutcheons Cut for Privacy (KP)	Pair		\$590

†.ENFD only available in 050 & 112, to ensure a finish match on all components.



Sets

	6950.xxx.RENT (LENT)	6950.xxx.RDBL (LDBL)	6950.xxx.RFD (LFD)	6624.xxx.BB75 (BB30, BBFD)
Exterior Trim	6624.xxx	6624.xxx	6624.xxx.DM	6624.xxx (x2)
Interior Escutcheon	6790.xxx.KT	6790.xxx.KC	6790.xxx.KN	
Knob/Lever	5108.xxx.LMR (RMR)	5108.xxx.LMR (RMR)	5108.xxx.LMR (RMR)	
Spindle	0530.004 (2.375" Half)	0530.004 (2.375" Half)	5092.004 (1.125" Dummy)	
Cylinder	8323 (1.75" door)	• 8322.xxx.DBL	6761 (Dummy)	• (Double)
Mortise Lock	• (Lever Strength)	• (Lever Strength)		•
Blocking Ring		•		•



MORTISE LOCKS

In an effort to simplify the mortise trim offering, some escutcheon trim sets will no longer be available pre-configured. However, these configurations are still available a la carte. See breakouts below by function.

Formerly the Westminster Configuration

A La Carte

	Entry	Double Cylinder	Full Dummy
Exterior Trim	6790.xxx.KC	6790.xxx.KC	
Interior Escutcheon	6790.xxx.KT	6790.xxx.KC	6790.xxx.KN (x2)
Knob/Lever	5108.xxx.MR (Pair)	5108.xxx.MR (Pair)	5108.xxx.MR (Pair)
Spindle	0522.004 (4" Swivel)	0522.004 (4" Swivel)	0511.004 (4" Straight)
Cylinder	•	• (Double)	5099.004 (x2)
Mortise Lock	• (Lever Strength)	• (Lever Strength)	
Blocking Ring		•	

A La Carte

	Kensington Entrance	6970 Privacy
Exterior Trim	6624.xxx	6790.xxx.KE**
Interior Escutcheon	6790.xxx.KT	6790.xxx.KT or .KP
Knob/Lever	Half Pair	Pair
Spindle	•	•
Cylinder	•	•
Mortise Lock	• (Lever Strength)	• Tubular Latch & Mortise Bolt / or Mortise Lock
Blocking Ring		
Turn Knob		

MUST ORDER SEPERATELY

shown in grey

***(All .KE hardware include 6701 ER cover)*
SEE BACK COVER FLAP for easy-ordering charts and requirements for doors thicker than 1.75"

*QUICK SHIP is available in functions and finishes shown in red.



003, 031, 033, 044
050, 055, 056, 060
076, 102, 112,
190, 260, 402



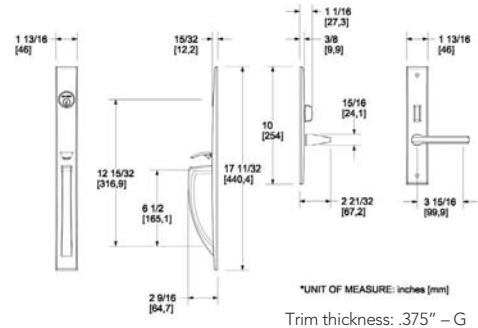
Item #	Description	Wt.		
6966.xxx.RENT (LENT)	Entrance Trim – Lakeshore	Set	5.0	\$1,219
6966.xxx.RDBL (LDBL)	Double Cylinder	Set		\$1,219
6966.xxx.RFD (LFD)	Full Dummy	Set		\$1,219
6966.xxx.ENFD†	1 Active Entrance Set + 1 Full Dummy Set	2 Sets		\$2,438
6553.xxx.BB75	Entrance Back-to-Back – 1.75" door	Set		\$1,642
6553.xxx.BB30	Entrance Back-to-Back – up to 3" door	Set		\$1,642
6553.xxx.BBFD	Dummy Back-to-Back	Set		\$1,642
6553.xxx	Active Exterior Trim only	Each		\$880
6553.xxx.DM	Dummy Exterior only	Each		\$880
	Interior Escutcheon –			
6502.xxx.KCOS (KCIS)	Cut for Cylinder (KC), Double Cylinder	Each		\$295
6502.xxx.KEOS (KEIS)	Cut for Emergency Release (KE)	Each		\$295
6502.xxx.KNOS (KNIS)	Cut for Knob (KN), Passage/Dummy	Each		\$295
6502.xxx.KTOS (KTIS)	Interior Escutcheon w/ Turn Knob (KT)	Each		\$348

†.ENFD only available in 050 & 112, to ensure a finish match on all components.

MORTISE LOCKS

Sets

	6966.xxx.RENT (LENT)	6950.xxx.RDBL (LDBL)	6950.xxx.RFD (LFD)	6624.xxx.BB75 (BB30, BBFD)
Exterior Trim	6553.xxx	6553.xxx	6553.xxx.DM	6553.xxx (x2)
Interior Escutcheon	6502.xxx.KTIS	6502.xxx.KTIS	6502.xxx.KNIS	
Knob/Lever	5162.xxx.LMR (RMR)	5162.xxx.LMR (RMR)	5162.xxx.LMR (RMR)	
Spindle	0530.004 (2.375" Half)	0530.004 (2.375" Half)	5092.004 (1.125" Dummy)	
Cylinder	8323 (1.75" door)	• 8323.xxx.DBL	6761 (Dummy)	• (Double)
Mortise Lock	• (Lever Strength)	• (Lever Strength)		•
Blocking Ring		• 8440.xxx.001		•



In an effort to simplify the mortise trim offering, some escutcheon trim sets will no longer be available pre-configured. However, these configurations are still available a la carte. See breakouts below by function.

A La Carte



	Entry	Double Cylinder	Full Dummy
Exterior Trim	6502.xxx.KCOS	6502.xxx.KCOS	6502.xxx.KNOS
Interior Escutcheon	6502.xxx.KTIS	6502.xxx.KCIS	6502.xxx.KNIS
Knob/Lever	5162.xxx.MR (Pair)	5162.xxx.MR (Pair)	5162.xxx.MR (Pair)
Spindle	0522.004 (4" Swivel)	0522.004 (4" Swivel)	0511.004 (4" Straight)
Cylinder	•	• (Double)	
Mortise Lock	• (Lever Strength)	• (Lever Strength)	
Blocking Ring		•	

A La Carte



	Entrance	Privacy
Exterior Trim	6553.xxx	6502.xxx.KEOS**
Interior Escutcheon	6502.xxx.KTIS	6502.xxx.KTIS
Knob/Lever	Half Pair	Pair
Spindle	•	•
Cylinder	•	
Mortise Lock	•	• Tubular Latch & Mortise Bolt / or Mortise Lock
Blocking Ring		
Turn Knob		

MUST ORDER SEPERATELY
shown in grey

*QUICK SHIP is available in functions and finishes shown in red.

SEE BACK COVER FLAP for easy-ordering charts and requirements for doors thicker than 1.75"



003, 031, 033, 044
050, 055, 056, 060
076, 102, 112,
190, 260, 402



Lexington

	Item #	Description	Wt.	
SET	6560.xxx.ENTR	Entrance Trim – Lexington	Set 4.3	\$760
	6560.xxx.DBLC	Double Cylinder	Set	\$760
	6560.xxx.FD	Full Dummy	Set	\$760
	6560.xxx.ENFD†	1 Active Entrance Set + 1 Full Dummy Set	2 Sets	\$1,520
	6621.xxx.BB75	Entrance Back-to-Back – 1.75" door	Set	\$1,568
	6621.xxx.BB30	Entrance Back-to-Back – up to 3" door	Set	\$1,568
	6621.xxx.BBFD	Dummy Back-to-Back	Set	\$1,568
EXT	6621.xxx	Active Exterior Trim only	Each	\$560
	6621.xxx.DM	Dummy Exterior only	Each	\$560
INTERIOR		Interior Escutcheon –		
	6795.xxx.KC	Cut for Cylinder (KC), Double Cylinder	Each	\$295
	6795.xxx.KE**	Cut for Emergency Release (KE)	Each	\$295
	6795.xxx.KN	Cut for Knob (KN), Passage/Dummy	Each	\$295
	6795.xxx.KT	Interior Escutcheon w/ Turn Knob (KT)	Each	\$348

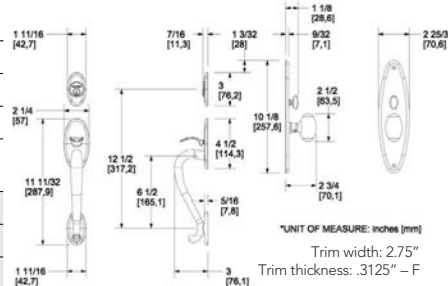
†.ENFD only available in 050 & 112, to ensure a finish match on all components.



6621.xxx.BB75 (BB30, BBFD)

Sets

	6560.xxx.ENTR	6560.xxx.DBLC	6560.xxx.FD	6621.xxx.BB75 (BB30, BBFD)
Exterior Trim	6621.xxx	6621.xxx	6621.xxx.DM	6621.xxx (x2)
Interior Escutcheon	6795.xxx.KT	6795.xxx.KC	6795.xxx.KN	
Knob/Lever	5025.xxx.IMR	5025.xxx.IMR	5025.xxx.IMR	
Spindle	0530.004 (2.375" Half)	0530.004 (2.375" Half)	5092.004 (1.125" Dummy)	
Cylinder	8323 (1.75" door)	• 8322.xxx.DBL	6761 (Dummy)	• (Double)
Mortise Lock	•	•		•
Blocking Ring		•		•



In an effort to simplify the mortise trim offering, some escutcheon trim sets will no longer be available pre-configured. However, these configurations are still available a la carte. See breakouts below by function.

Formerly the Wilmington Configuration



A La Carte

	Entry	Double Cylinder	Full Dummy
Exterior Trim	6795.xxx.KC	6795.xxx.KC	
Interior Escutcheon	6795.xxx.KT	6795.xxx.KC	6795.xxx.KN (x2)
Knob/Lever	5025.xxx.MR (Pair)	5025.xxx.MR (Pair)	5025.xxx.MR (Pair)
Spindle	0522.004 (4" Swivel)	0522.004 (4" Swivel)	0511.004 (4" Straight)
Cylinder	•	• (Double)	
Mortise Lock	•	•	
Blocking Ring		•	

A La Carte

	Lexington Entrance	6795 Privacy
Exterior Trim	6621.xxx	6795.xxx.KE**
Interior Escutcheon	6795.xxx.KT	6795.xxx.KT
Knob/Lever	Half Pair	Pair
Spindle	•	•
Cylinder	•	
Mortise Lock	• (Lever Strength)	• Tubular Latch & Mortise Bolt / or Mortise Lock
Blocking Ring		
Turn Knob		

MUST ORDER SEPERATELY

shown in grey

** (All .KE hardware include 6701 ER cover)

*QUICK SHIP is available in functions and finishes shown in red.

MORTISE LOCKS



003, 031, 033, 044
050, 055, 056, 060
076, 102, 112,
190, 260, 402

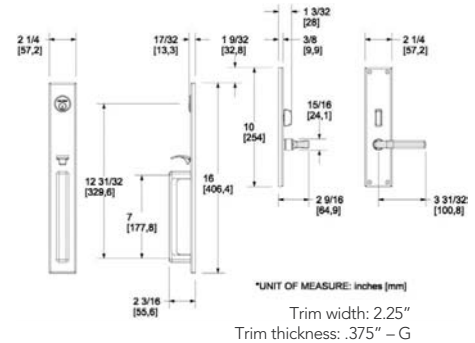


Item #	Description	Wt.		
6976.xxx.RENT (LENT)	Entrance Trim	Set	5.5	\$990
6976.xxx.RDBL (LDBL)	Double Cylinder	Set		\$990
6976.xxx.RFD (LFD)	Full Dummy	Set		\$990
6976.xxx.ENFD†	1 Active Entrance Set + 1 Full Dummy Set	2 Sets		\$1,980
6620.xxx.BB75	Entrance Back-to-Back – 1.75" door	Set		\$1,568
6620.xxx.BB30	Entrance Back-to-Back – up to 3" door	Set		\$1,568
6620.xxx.BBFD	Dummy Back-to-Back	Set		\$1,568
6620.xxx	Active Exterior Trim	Each		\$560
6620.xxx.DM	Dummy Exterior Trim	Each		\$560
	Interior Escutcheon –			
6513.xxx.KC	Cut for Cylinder (KC), Double Cylinder	Each		\$295
6513.xxx.KE**	Cut for Emergency Release (KE)	Each		\$295
6513.xxx.KN	Cut for Knob (KN), Passage/Dummy	Each		\$295
6514.xxx.KT	Interior Escutcheon w/ Turn Knob (KT)	Each		\$348
6513.xxx.KP	Escutcheons cut for Privacy (KP)	Pair		\$590

†.ENFD only available in 050 & 112, to ensure a finish match on all components.

MORTISE LOCKS

Sets	6976.xxx.RENT (LENT)	6976.xxx.RDBL (LDBL)	6976.xxx.RFD (LFD)	6620.xxx.BB75 (BB30, BBFD)
Exterior Trim	6620.xxx	6620.xxx	6620.xxx.DM	6620.xxx (x2)
Interior Escutcheon	6514.xxx.KT	6513.xxx.KC	6513.xxx.KN	
Knob/Lever	5162.xxx.LMR (RMR)	5162.xxx.LMR (RMR)	5162.xxx.LMR (RMR)	
Spindle	0530.004 (2.375" Half)	0530.004 (2.375" Half)	5092.004 (1.125" Dummy)	
Cylinder	8323 (1.75" door)	8323.xxx.DBL	6761 (Dummy)	• 8323.xxx.DBL
Mortise Lock	• (Lever Strength)	•		•
Blocking Ring		• 8440.xxx.001		•



A La Carte	Entrance	Entrance	Double Cylinder	Privacy	Passage
Exterior Trim	6620.xxx	6513.xxx.KC	6513.xxx.KC	6513.xxx.KE**	
Interior Escutcheon	6514.xxx.KT	6514.xxx.KT	6513.xxx.KC	6514.xxx.KT	6513.xxx.KN (x2)
Knob/Lever	5055.xxx.IMR	Pair	Pair	Pair	Pair
Spindle	•	•	•	•	•
Cylinder	•	•	• (Double)		
Mortise Lock	•	• (Lever Strength)	• (Lever Strength)	• Tubular Latch & Mortise Bolt / or Mortise Lock	• Tubular Latch / or Mortise Lock
Blocking Ring			•		
Turn Knob					

REQUIRED

MUST ORDER SEPERATELY
shown in grey

*QUICK SHIP is available in functions and finishes shown in red.

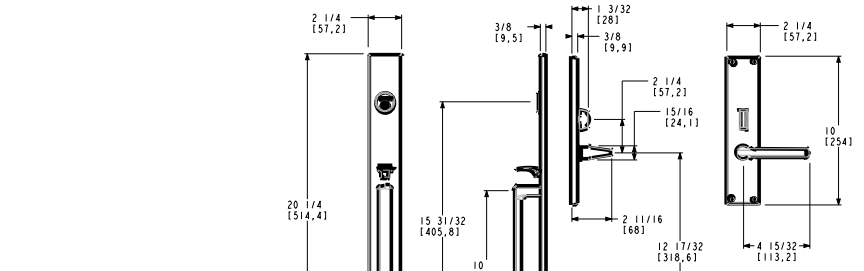
SEE BACK COVER FLAP for easy-ordering charts and requirements for doors thicker than 1.75"



003, 031, 033, 044
050, 055, 056, 060
076, 102, 112,
190, 260, 402



	Item #	Description	Wt.		
SET	6977.xxx.RENT (LENT)	Entrance Trim - Minneapolis 20"	Set 5.5	\$1,371	
	6977.xxx.RDBL (LDBL)	Double Cylinder	Set	\$1,371	
	6977.xxx.RFD (LFD)	Full Dummy	Set	\$1,371	
EXT	6977.xxx	Active Exterior Trim	Each	\$880	
	6977.xxx.DM	Dummy Exterior Trim	Each	\$880	
INTERIOR		Interior Escutcheon -			
	6513.xxx.KC	Cut for Cylinder (KC), Double Cylinder	Each	\$295	
	6513.xxx.KE**	Cut for Emergency Release (KE)	Each	\$295	
	6513.xxx.KN	Cut for Knob (KN), Passage/Dummy	Each	\$295	
	6514.xxx.KT	Interior Escutcheon w/ Turn Knob (KT)	Each	\$348	
	6513.xxx.KP	Escutcheons cut for Privacy (KP)	Pair	\$590	



Trim width: 2.25"
Trim thickness: .375" - G

Sets

	6977.xxx.RENT (LENT)	6977.xxx.RDBL (LDBL)	6977.xxx.RFD (LFD)
Exterior Trim	6977.xxx	6977.xxx	6977.xxx.DM
Interior Escutcheon	6514.xxx.KT	6513.xxx.KC	6513.xxx.KN
Knob/Lever	5162.xxx.LMR (RMR)	5162.xxx.LMR (RMR)	5162.xxx.LMR (RMR)
Spindle	0530.004 (2.375" Half)	0530.004 (2.375" Half)	5092.004 (1.125" Dummy)
Cylinder	8323 (1.75" door)	8323 (1.75" door)	6761 (Dummy)
Mortise Lock	• (Lever Strength)	•	
Blocking Ring		• 8323.xxx.DBL	

A La Carte



	Entrance	Entrance	Double Cylinder	Privacy	Passage
Exterior Trim	6977.xxx	6513.xxx.KC	6513.xxx.KC	6513.xxx.KE**	
Interior Escutcheon	6514.xxx.KT	6514.xxx.KT	6513.xxx.KC	6514.xxx.KT	6513.xxx.KN (x2)
Knob/Lever	5055.xxx.IMR	Pair	Pair	Pair	Pair
Spindle	•	•	•	•	•
Cylinder	•	•	• (Double)		
Mortise Lock	•	• (Lever Strength)	• (Lever Strength)	• Tubular Latch & Mortise Bolt / or Mortise Lock	• Tubular Latch / or Mortise Lock
Blocking Ring			•		
Turn Knob					

REQUIRED

MUST ORDER SEPERATELY

shown in grey

***(All .KE hardware include 6701 ER cover)*

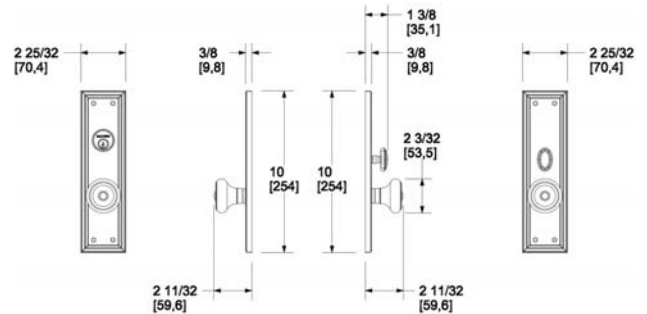
SEE BACK COVER FLAP for easy-ordering charts and requirements for doors thicker than 1.75"



003, 031, 033, 044
050, 055, 056, 060
076, 102, 112,
190, 260, 402

	Item #	Description	Wt.	
SET	6547.xxx.ENTR	Entrance Trim	Set 6.1	\$760
	6547.xxx.DBLC	Double Cylinder	Set	\$760
	6547.xxx.FD	Full Dummy	Set	\$760
	6547.xxx.ENFD†	1 Active Entrance Set + 1 Full Dummy Set	2 Sets	\$1,520
EXT	6547.xxx.DM	Dummy Exterior only	Each	\$330
INTERIOR		Interior Escutcheon –		
	6793.xxx.KC	Cut for Cylinder (KC), Double Cylinder	Each	\$295
	6793.xxx.KE**	Cut for Emergency Release (KE)	Each	\$295
	6793.xxx.KN	Cut for Knob (KN), Passage/Dummy	Each	\$295
	6793.xxx.KT	Interior Escutcheon w/ Turn Knob (KT)	Each	\$348
	6793.xxx.KP	Escutcheons Cut for Privacy (KP)	Pair	\$590

†.ENFD only available in 050 & 112, to ensure a finish match on all components.



*UNIT OF MEASURE: inches [mm]

Trim thickness: .25" – E



Sets

	6547.xxx.ENTR	6547.xxx.DBLC	6547.xxx.FD
Exterior Trim	6793.xxx.KC	6793.xxx.KC	
Interior Escutcheon	6793.xxx.KT	6793.xxx.KC	6793.xxx.KN (x2)
Knob/Lever	5020.xxx.MR (Pair)	5020.xxx.MR (Pair)	5020.xxx.MR (Pair)
Spindle	0522.004 (4" Swivel)	0522.004 (4" Swivel)	0511.004 (4" Straight)
Cylinder	8323 (1.75" door)	8322.xxx.DBL	5099.004 (x2)
Mortise Lock	•	•	
Blocking Ring		• 8440.xxx.001	



A La Carte

REQUIRED

	Entrance	Privacy	Passage
Exterior Trim	6793.xxx.KC	6793.xxx.KE**	
Interior Escutcheon	6793.xxx.KT	6793.xxx.KT or .KP	6793.xxx.KN (x2)
Knob/Lever	Pair	Pair	Pair
Spindle	•	•	•
Cylinder	•		
Mortise Lock	•	• Tubular Latch & Mortise Bolt / or Mortise Lock	• Tubular Latch / or Mortise Lock
Blocking Ring			
Turn Knob			

MUST ORDER SEPERATELY
shown in grey

** (All .KE hardware include 6701 ER cover)

SEE BACK COVER FLAP for easy-ordering charts and requirements for doors thicker than 1.75"

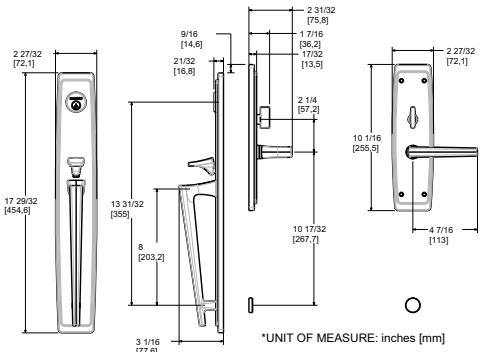


003, 031, 033, 044
050, 055, 056, 060
076, 102, 112,
190, 260, 402



	Item #	Description	Wt.	
SET	6921.xxx.RENT (LENT)	Entrance Trim	Set 9.5	\$990
	6921xxx.RDBL (LDBL)	Double Cylinder	Set	\$990
	6921.xxx.RFD (LFD)	Full Dummy	Set	\$990
	6921.xxx.ENFD†	1 Active Entrance Set + 1 Full Dummy Set	2 Sets	\$1,980
EXT	6616.xxx	Active Exterior Trim	Each	\$560
	6616.xxx.DM	Dummy Exterior Trim	Each	\$560
INTERIOR		Interior Escutcheon –		
	6715.xxx.KC	Cut for Cylinder (KC), Double Cylinder	Each	\$295
	6715.xxx.KE**	Cut for Emergency Release (KE)	Each	\$295
	6715.xxx.KN	Cut for Knob (KN), Passage/Dummy	Each	\$295
	6715.xxx.KT	Interior Escutcheon w/ Turn Knob (KT)	Each	\$348

†.ENFD only available in 050 & 112, to ensure a finish match on all components.



Sets	6921.xxx.RENT (LENT)	6921.xxx.RDBL (LDBL)	6921.xxx.RFD (LFD)
Exterior Trim	6616.xxx	6616.xxx	6616.xxx.DM
Interior Escutcheon	6715.xxx.KT	6715.xxx.KC	6715.xxx.KN
Knob/Lever	L024.xxx.LMR (RMR)	L024.xxx.LMR (RMR)	L024.xxx.LMR (RMR)
Spindle	0530.004 (2.375" Half)	0530.004 (2.375" Half)	5077.004 (1.5" Dummy)
Cylinder	8323 (1.75" door)	• 8324.xxx.DBL	6761 (Dummy)
Mortise Lock	•	•	
Blocking Ring		•	



A La Carte	Entrance	Entrance	Double Cylinder	Privacy	Passage
Exterior Trim	6616.xxx	6715.xxx.KC	6715.xxx.KC	6715.xxx.KE	
Interior Escutcheon	6715.xxx.KT	6715.xxx.KT	6715.xxx.KC	6715.xxx.KT	6715.xxx.KN (x2)
Knob/Lever	Half Pair	Pair	Pair	Pair	Pair
Spindle	•	•	•	•	•
Cylinder	•	•	• (Double)		
Mortise Lock	• (Lever Strength)	•	•	• Tubular Latch & Mortise Bolt / or Mortise Lock	• Tubular Latch / or Mortise Lock
Blocking Ring			•		
Turn Knob					

MORTISE LOCKS

MUST ORDER SEPERATELY
shown in grey

****(All .KE hardware include 6701 ER cover)**
SEE BACK COVER FLAP for easy-ordering charts and requirements for doors thicker than 1.75"

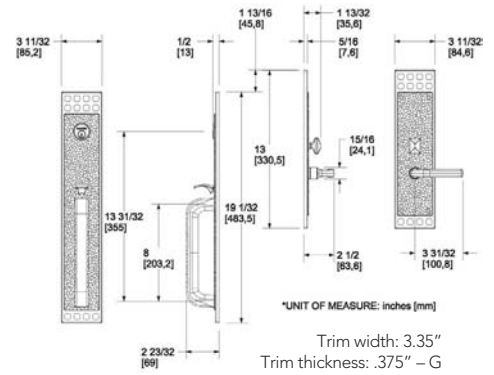


003, 031, 033, 044
050, 055, 056, 060
076, 102, 112,
190, 260, 402



	Item #	Description		Wt.	
SET	6944.xxx.RENT (LENT)	Entrance Trim	Set	9.5	\$1,219
	6944.xxx.RDBL (LDBL)	Double Cylinder	Set		\$1,219
	6944.xxx.RFD (LFD)	Full Dummy	Set		\$1,219
	6944.xxx.ENFD†	1 Active Entrance Set + 1 Full Dummy Set	2 Sets		\$2,318
	6641.xxx.BB75	Entrance Back-to-Back – 1.75" door	Set		\$1,642
	6641.xxx.BB30	Entrance Back-to-Back – 3" door	Set		\$1,642
	6641.xxx.BBFD	Dummy Back-to-Back	Set		\$1,642
EXT	6641.xxx	Active Exterior Trim	Each		\$880
	6641.xxx.DM	Dummy Exterior Trim	Each		\$880
INTERIOR		Interior Escutcheon –			
	6714.xxx.KC	Cut for Cylinder (KC), Double Cylinder	Each		\$295
	6714.xxx.KE**	Cut for Emergency Release (KE)	Each		\$295
	6714.xxx.KN	Cut for Knob (KN), Passage/Dummy	Each		\$295
	6714.xxx.KT	Interior Escutcheon w/ Turn Knob (KT)	Each		\$348

†.ENFD only available in 050 & 112, to ensure a finish match on all components.



Sets

	6944.xxx.RENT (LENT)	6944.xxx.RDBL (LDBL)	6944.xxx.RFD (LFD)	6944.xxx.BB75 (BBFD)
Exterior Trim	6641.xxx	6641.xxx	6641.xxx.DM	6641.xxx (x2)
Interior Escutcheon	6714.xxx.KT	6714.xxx.KC	6714.xxx.KN	
Knob/Lever	5190.xxx.LMR (RMR)	5190.xxx.LMR (RMR)	5190.xxx.LMR (RMR)	
Spindle	0530.004 (2.375" Half)	0530.004 (2.375" Half)	5092.004 (1.125" Dummy)	
Cylinder	8323 (1.75" door)	• 8323.xxx.DBL	6761 (Dummy)	• 8323.xxx.DBL
Mortise Lock	•	•		•
Blocking Ring		• 8440.xxx.001		•



A La Carte

REQUIRED

	Entrance	Entrance	Double Cylinder	Privacy	Passage
Exterior Trim	6641.xxx	6714.xxx.KC	6714.xxx.KC	6714.xxx.KE**	
Interior Escutcheon	6714.xxx.KT	6714.xxx.KT	6714.xxx.KC	6714.xxx.KT	6714.xxx.KN (x2)
Knob/Lever	Half Pair	Pair	Pair	Pair	Pair
Spindle	•	•	•	•	•
Cylinder	•	•	• (Double)		
Mortise Lock	• (Lever Strength)	•	•	• Tubular Latch & Mortise Bolt / or Mortise Lock	• Tubular Latch / or Mortise Lock
Blocking Ring			•	Other - ER Trim	
Turn Knob					

MUST ORDER SEPERATELY
shown in grey

*QUICK SHIP is available in functions and finishes shown in red.

SEE BACK COVER FLAP for easy-ordering charts and requirements for doors thicker than 1.75"

MORTISE LOCKS



003, 031, 033, 044
050, 055, 056, 060
076, 102, 112,
190, 260, 402

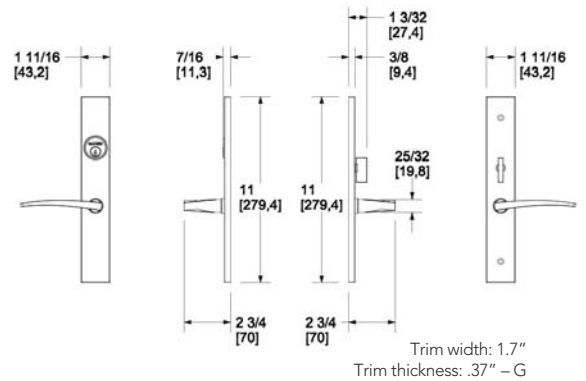


	Item #	Description		Wt.	
SET	6915.xxx.ENTR	Entrance Trim	Set	9.5	\$760
	6915.xxx.DBLC	Double Cylinder	Set		\$760
	6915.xxx.FD	Full Dummy	Set		\$760
	6915.xxx.ENFD†	1 Active Entrance Set + 1 Full Dummy Set	2 Sets		\$1,444
EXT	6915.xxx.LDM	Dummy Exterior Trim	Each		\$330
	6915.xxx.RDM	Dummy Exterior Trim	Each		\$330
	6530.xxx.KCOS	Exterior Trim Plate KC	Each		\$295
	6530.xxx.KEOS	Exterior Trim Plate KE	Each		\$295
INTERIOR	6530.xxx.KNOS	Exterior Trim Plate KN	Each		\$295
	6530.xxx.KEIS	Interior Trim Plate KE	Each		\$285
	6530.xxx.KNIS	Interior Trim Plate KN	Each		\$285
	6530.xxx.KTIS	Interior Trim Plate KT	Each		\$348

†.ENFD only available in 050 & 112, to ensure a finish match on all components.



Sets	6915.xxx.ENTR	6915.xxx.DBLC	6915.xxx.FD
Exterior Trim	6530.xxx.KCOS	6530.xxx.KCOS	6530.xxx.KNOS
Interior Escutcheon	6530.xxx.KTIS	6530.xxx.KCIS	6530.xxx.KNIS
Knob/Lever	L022.xxx.MR	L022.xxx.MR	L022.xxx.MR
Spindle	0521.004 (4.5" Swivel)	0521.004 (4.5" Swivel)	5012.004 (x2)
Cylinder	8323 (1.75" door)	• 8323.xxx.DBLC	5099.004 (x2)
Mortise Lock	•	•	
Blocking Ring		• 8440.xxx.001	



MORTISE LOCKS

	Entrance	Privacy	Passage
Exterior Trim	6530.xxx.KCOS	6530.xxx.KEOS**	6530.xxx.KNOS
Interior Escutcheon	6530.xxx.KTIS	6530.xxx.KTIS	6530.xxx.KNIS
Knob/Lever	Pair	Pair	Pair
Spindle	•	•	•
Cylinder	•		
Mortise Lock	• (Latch & Bolt or Lock)	• (Latch & Bolt or Lock)	• (Latch & Bolt or Lock)
Blocking Ring			
Turn Knob			

REQUIRED

MUST ORDER SEPARATELY
shown in grey

****(All .KE hardware include 6701 ER cover)**
SEE BACK COVER FLAP for easy-ordering charts and requirements for doors thicker than 1.75"

***QUICK SHIP** is available in functions and finishes shown in red.

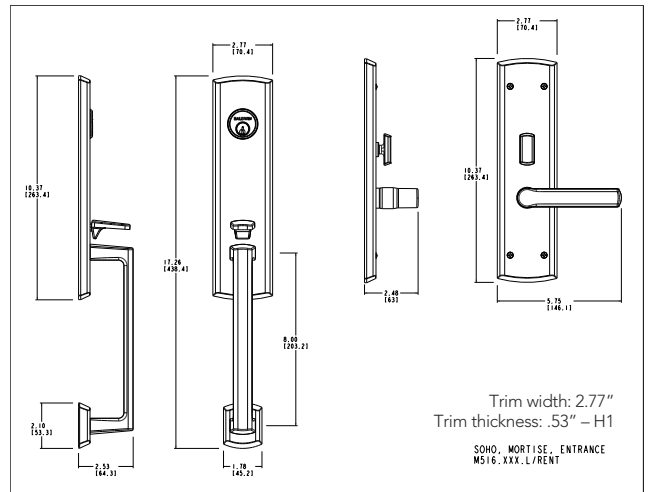


003, 031, 033, 044
050, 055, 056, 060
076, 102, 112,
190, 260, 402



	Item #	Description	Wt.	
SET	M516.xxx.RENT (LENT)	Entrance Trim – Lever	Set 9.5	\$760
	M516.xxx.RFD (LFD)	Full Dummy – Lever	Set	\$760
EXT	M516.xxx	Active Exterior Trim	Each	\$330
	M516.xxx.DM	Dummy Exterior Trim	Each	\$330
INTERIOR	M516.xxx.KC	Interior Escutcheon – Cut for Cylinder (KC), Double Cylinder	Each	\$295
	M516.xxx.KE**	Cut for Emergency Release (KE)	Each	\$295
	M516.xxx.KN	Cut for Knob (KN), Passage/Dummy	Each	\$295
	M516.xxx.KT	Interior Escutcheon w/ Turn Knob (KT)	Each	\$348

t.ENFD only available in 050 & 112, to ensure a finish match on all components.



Lever Sets	M516.xxx.RENT (LENT)	M516.xxx.RFD (LFD)
Exterior Trim	M516.xxx	M516.xxx.DM
Interior Escutcheon	M516.xxx.KT	M516.xxx.KN
Knob/Lever	5485V.xxx.LMR (RMR)	5485V.xxx.LMR (RMR)
Spindle	0530.004 (2.375" Half)	5092.004 (1.125" Dummy)
Cylinder	8325 (1.75" door)	6761 (Dummy)
Mortise Lock	•	
Blocking Ring		



A La Carte

	Entrance	Entrance	Double Cylinder	Privacy	Passage
Exterior Trim	M516.xxx	M516.xxx.KC	M516.xxx.KC	M516.xxx.KE**	
Interior Escutcheon	M516.xxx.KT	M516.xxx.KT	M516.xxx.KC	M516.xxx.KT	M516.xxx.KN (x2)
Knob/Lever	5485V.xxx.RMR (LMR) (Lever)	Pair	Pair	Pair	Pair
Spindle	•	•	•	•	•
Cylinder	•	•	• 8324.xxx.DBL		
Mortise Lock	•	•	•	• Tubular Latch & Mortise Bolt / or Mortise Lock	• Tubular Latch / or Mortise Lock
Blocking Ring			•		
Turn Knob	•				

SEE BACK COVER FLAP for easy-ordering charts and requirements for doors thicker than 1.75"



003, 031, 044
050, 055, 056, 060
076, 102, 112,
190, 260, 402

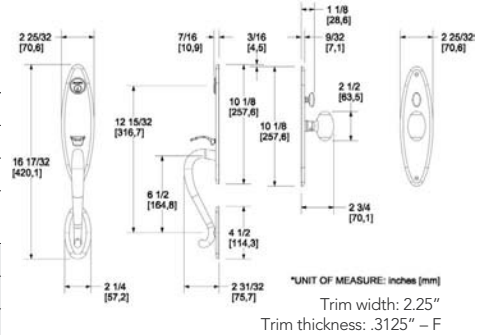


	Item #	Description	Wt.	
SET	6573.xxx.ENTR	Entrance Trim	Set 9.5	\$760
	6573.xxx.DBLC	Double Cylinder	Set	\$760
	6573.xxx.FD	Full Dummy	Set	\$760
	6573.xxx.ENFD [†]	1 Active Entrance Set + 1 Full Dummy Set	2 Sets	\$1,520
EXT	6628.xxx.BB75	Entrance Back-to-Back – 1.75" door	Set	\$1,568
	6628.xxx.BB30	Entrance Back-to-Back – up to 3" door	Set	\$1,568
	6628.xxx.BBFD	Dummy Back-to-Back	Set	\$1,568
INTERIOR	6628.xxx	Active Exterior Trim only	Each	\$560
	6628.xxx.DM	Dummy Exterior only	Each	\$560
		Interior Escutcheon –		
	6798.xxx.KC	Cut for Cylinder (KC), Double Cylinder	Each	\$295
	6798.xxx.KE**	Cut for Emergency Release (KE)	Each	\$295
	6798.xxx.KN	Cut for Knob (KN), Passage/Dummy	Each	\$295
	6798.xxx.KT	Interior Escutcheon w/ Turn Knob (KT)	Each	\$348
6798.xxx.KP	Escutcheons Cut for Privacy (KP)	Pair	\$590	

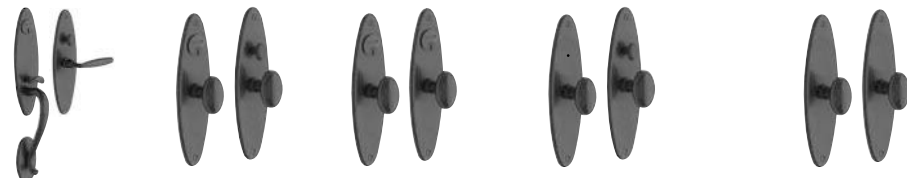
[†].ENFD only available in 050 & 112, to ensure a finish match on all components.
**All .KE hardware include 6701 ER cover.



Sets	6573.xxx.ENTR	6573.xxx.DBLC	6573.xxx.FD	6628.xxx.BB75 (BB30, BBFD)
Exterior Trim	6628.xxx	6628.xxx	6628.xxx.DM	6628.xxx (x2)
Interior Escutcheon	6798.xxx.KT	6798.xxx.KC	6798.xxx.KN	
Knob/Lever	5025.xxx.IMR	5025.xxx.IMR	5025.xxx.IMR	
Spindle	0530.004 (2.375" Half)	0530.004 (2.375" Half)	5092.004 (1.125" Dummy)	
Cylinder	8323 (1.75" Door)	• 8322.xxx.DBLC	6761 (Dummy)	• (Double)
Mortise Lock	•	•		•
Blocking Ring		•		•



MORTISE LOCKS



A La Carte	Entrance	Entrance	Double Cylinder	Privacy	Passage
Exterior Trim	6628.xxx	6798.xxx.KC	6798.xxx.KC	6798.xxx.KE**	
Interior Escutcheon	6798.xxx.KT	6798.xxx.KT	6798.xxx.KC	6798.xxx.KT or .KP	6798.xxx.KN (x2)
Knob/Lever	Half Pair	Pair	Pair	Pair	Pair
Spindle	•	•	•	•	•
Cylinder	•	•	• (Double)		
Mortise Lock	• (Lever Strength)	•	•	• Tubular Latch & Mortise Bolt / or Mortise Lock	• Tubular Latch / or Mortise Lock
Blocking Ring			•		
Turn Knob					

REQUIRED

MUST ORDER SEPERATELY
shown in grey

** (All .KE hardware include 6701 ER cover)
SEE BACK COVER FLAP for easy-ordering charts and requirements for doors thicker than 1.75"

*QUICK SHIP is available in functions and finishes shown in red.



003, 031, 033, 044
050, 055, 056, 060
076, 102, 112,
190, 260, 402

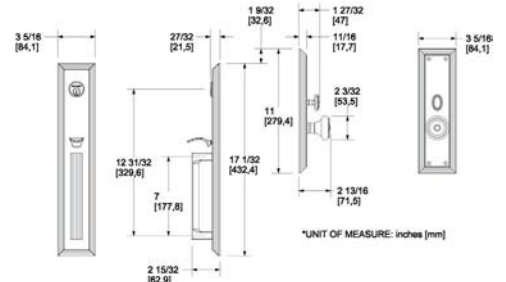


	Item #	Description	Wt.	
SET	6542.xxx.ENTR	Entrance Trim	Set 9.5	\$1,219
	6542.xxx.DBLC	Double Cylinder	Set	\$1,219
	6542.xxx.FD	Full Dummy	Set	\$1,219
	6542.xxx.ENFD†	1 Active Entrance Set + 1 Full Dummy Set	2 Sets	\$2,438
EXT	6605.xxx.BB75	Entrance Back-to-Back	Set	\$1,642
	6605.xxx.BB30	Entrance Back-to-Back	Set	\$1,642
	6605.xxx.BBFD	Dummy Back-to-Back	Set	\$1,642
	6605.xxx	Active Exterior Trim	Each	\$880
	6605.xxx.DM	Dummy Exterior Trim	Each	\$880
	INTERIOR		Interior Escutcheon –	
6796.xxx.KC		Cut for Cylinder (KC), Double Cylinder	Each	\$295
6796.xxx.KE**		Cut for Emergency Release (KE**)	Each	\$295
6796.xxx.KN		Cut for Knob (KN), Passage/Dummy	Each	\$295
6796.xxx.KT		Interior Escutcheon w/ Turn Knob (KT)	Each	\$348
6796.xxx.KP		Escutcheons Cut for Privacy (KP)	Pair	\$590

†.ENFD only available in 050 & 112, to ensure a finish match on all components.



Sets	6542.xxx.ENTR	6542.xxx.DBLC	6542.xxx.FD	6605.xxx.BB75 (BB30, BBFD)
Exterior Trim	6605.xxx	6605.xxx	6605.xxx.DM	6605.xxx (x2)
Interior Escutcheon	6796.xxx.KT	6796.xxx.KC	6796.xxx.KN	
Knob/Lever	5020.xxx.IMR	5020.xxx.IMR	5020.xxx.IMR	
Spindle	0531.004 (2.875" Half)	0531.004 (2.875" Half)	5077.004 (1.5")	
Cylinder	8326 (1.75" Door)	• 8326.000.DBLC	6761 (Dummy)	• (Double)
Mortise Lock	•	•		•
Blocking Ring		• 8440.xxx.001		•



Trim width: 3.3"
Trim thickness: .75" – J



A La Carte	Entrance	Entrance	Double Cylinder	Privacy	Passage
Exterior Trim	6605.xxx	6796.xxx.KC	6796.xxx.KC	6796.xxx.KE**	
Interior Escutcheon	6796.xxx.KT	6796.xxx.KT	6796.xxx.KC	6796.xxx.KT or .KP	6796.xxx.KN (x2)
Knob/Lever	5162.xxx.RMR (LMR) (Lever)	Pair	Pair	Pair	Pair
Spindle	•	•	•	•	•
Cylinder	•	•	• (Double)		
Mortise Lock	•	•	•	• Tubular Latch & Mortise Bolt / or Mortise Lock	• Tubular Latch / or Mortise Lock
Blocking Ring			•		
Turn Knob	•				

REQUIRED

MUST ORDER SEPERATELY
shown in grey

*QUICK SHIP is available in functions and finishes shown in red.

SEE BACK COVER FLAP for easy-ordering charts and requirements for doors thicker than 1.75"

Give your doors of distinction the hardware to match with Baldwin luxury entrysets—now easily compatible with custom decorative iron/steel doors in a wide range of thicknesses.

- Kits available for doors 1.5" to 2.25" thick
- Mortise and tubular options available
- Choose from dozens of Baldwin styles
- Easy to implement

FINISH EQUIVALENCES

FINISH EQUIVALENCY GRID*

Trim Finish	Kit Finish	Trim Finish	Kit Finish	Trim Finish	Kit Finish	Trim Finish	Kit Finish
003	= 221	050	= 102	076	= 151	190	= 102
031	= 221	055	= 140	102	= 102	260	= 140
033	= 221	056	= 140	112	= 112	402	= 102
044	= 221	060	= 221	150	= 140		

*Does not apply to 6501 A-C kits due to blocking rings.

THICK DOOR KITS

1.75" to 2.25" door thickness mortise handlesets



MORTISE HANDLESETS, STEEL DOOR

Kit	For Entrance Trim #	102, 112 140, 221
6599.XXX.THKA	Monterey (6565, .0937')	\$34
6599.XXX.THKB	Victoria (6948, .1875'), Kensington (6950, .3125')	\$34
6599.XXX.THKC	San Diego (6540, .0937'), Lancaster (6543, .0937'), Richmond (6557, .0937'), Dallas (6931, .0937')	\$34
6599.XXX.THKD	Bristol (6963, .375'), Concord (6571, .25')	\$34
6599.XXX.THKE	Springfield (6573, .3125'), Lexington (6560, .3125'), Atlanta (6570, .375'), Minneapolis (6976/6977, .375'), Boulder (M512/M514, .53'), Cody (M502/M504, .53'), Trenton (6567, .1875'), Pasadena (6944, .375'), Palm Springs (6920, 6921)	\$34
6599.XXX.THKF	Williamsburg (6549, .3125')	\$34
6599.XXX.THKG	New York (6562, .25')	\$34
6599.XXX.THKH	Chicago (6563, .0937')	\$34
6599.XXX.THKI	Edinburgh (6952, .435'), Richland (6999, .435')	\$34
6599.XXX.THKJ	Edinburgh Sectional (6515, .5625'), Oval Edinburgh (6516, .5625'), Bristol Sectional (6520, .5625'), 3/4 Kensington (6526, .5625')	\$34
6599.XXX.THKK	Hamilton (6544, .75'), Tremont (6542, .75')	\$34
6599.XXX.THKL	Lakeshore (6966, .396')	\$34

REQUIRED for all doors over 1.75" and up to 2.25" thick, Thick Door Kits are for Handlesets ONLY, not Entrance Sets (Entrance sets are knob x knob or lever x lever)

MORTISE, WOOD DOOR

Kit	For Entrance Trim #	Price
6501.000.A	6515, 6520, 6526, 6540, 6541, 6543, 6549, 6556, 6557, 6560, 6564, 6565, 6567, 6568, 6570, 6571, 6572, 6573, 6931, 6946, 6948, 6950, 6963, 6976, 6977 active & dummy	\$10
6501.000.B	6548, 6562, 6563, 6915 active & dummy	\$32
6501.000.C	6920, 6921, 6944, 6952, 6999 active & dummy, M502, M504, M512, M514, M516, M522	\$45
6501.000.D	6542, 6544, 6545 ACTIVE ONLY	\$27
6501.000.E	6542, 6544, 6545 DUMMY ONLY	\$34
6501.000.F	6966, 6974	\$38

REQUIRED for all doors over 1.75" and up to 2.25" thick, Thick Door Kits

MORTISE LOCKS

*QUICK SHIP is available in functions and finishes shown in red.

THIN STEEL DOOR – MORTISE
1.5" to 1.625" Door Thickness Mortise Handlesets

003, 031, 033, 044
050, 055, 056, 060
076, 102, 112,
190, 260, 402

Item #	For Entrance Trim #	
6501.XXX.15A	Richmond (6557, .0937")	\$60
6501.XXX.15B	Monterey (6565, .0937")	\$60
6501.XXX.15C	Chicago (6563, .0937")	\$45

Item #	For Entrance Trim #	037, 102, 112 140, 221
6501.XXX.15D	Victoria (6948, .1875"), Kensington (6950, .3125"), Edinburgh (6952, .435")	\$45
6501.XXX.15E	Trenton (6567, .1875"), Concord (6571, .25")	\$45
6501.XXX.15G	New York (6562, .25")	\$37
6501.XXX.15H	Williamsburg (6549, .3125")	\$45
6501.XXX.15I	Springfield (6573, .3125"), Lexington (6560, .3125"), Atlanta (6570, .375"), Minneapolis (6976/6977, .375"), Boulder (M512/M514, .53"), Cody (M502/M504, .53")	\$45
6501.XXX.15J	Lakeshore (6966, .396")	\$45
6501.XXX.15L	Richland (6999, .435")	\$51
6501.XXX.15M	Pasadena (6944, .375")	\$51
6501.XXX.15N	Bristol (6963, .375"), Edinburgh Sectional (6515, .5625"), Oval Edinburgh (6516, .5625"), Bristol Sectional (6520, .5625"), ¾ Kensington (6526, .5625")	\$45
6501.XXX.15O	Hamilton (6544, .75"), Tremont (6542, .75")	\$51

REQUIRED for all doors 1.5" and up to 1.625" thick, Thin Door Kits are for Handlesets ONLY, not Entrance Sets (Entrance sets are knob x knob or lever x lever)

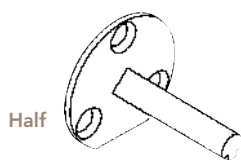
THIN STEEL DOOR – TUBULAR
1.5" Door Thickness Tubular Handlesets

003, 030, 031
050, 055, 056, 076
102, 112, 190
260, 402

Item #	For Entrance Trim #	
5397.xxx.15E	EGRESS: Bethpage 3/4 (85337), Blakely (85360), Boulder (85354), Cody (85352), Manchester (85350), Stonegate (85335)	\$74
5397.xxx.15F	EGRESS: Bristol (6420), Boulder (6402), Cody (6403), Devonshire (6401), Edinburgh (6415 & 6416), Kensington (6426)	\$74

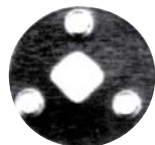
MORTISE LOCKS

Dummy Spindles & Adaptors – Escutcheon



Half

- 5077, 5091, 5092 – **Half Dummy Spindle**
- For mounting all current Estate knobs and levers to Escutcheon plates
 - 5092 for most escutcheons
 - 5077 for thick escutcheons: ≥ .75" thick (eg. Hamilton & Tremont)
 - 5091 for thin escutcheons: ≤ .1" thick (eg. Boston, San Diego, etc.)



Full

- 5099.004 – **Full Dummy Adaptor**
- For mounting escutcheons on Full Dummy applications (2 needed)
 - 1.175" diameter (30mm)
 - Spindle ordered separately

Item #	Description	Size	Price
5077.004	Half Dummy Spindle	1.5"	\$19
5091.004	Half Dummy Spindle	0.875"	\$19
5092.004	Half Dummy Spindle	1.125"	\$19
5099.004	Full Dummy Adaptor	1.175"	\$7

.A SUFFIX TRANSITIONAL SPINDLES (OLD STYLE):
For use with all discontinued Estate threaded knobs & levers, as well as all current Estate knobs and levers

Transitional Half Dummy Spindles – ESCUTCHEON

Item #	Description	Size	Price
5077.004.A	Half Dummy Spindle	1.5"	\$19
5091.004.A	Half Dummy Spindle	0.875"	\$19
5092.004.A	Half Dummy Spindle	1.125"	\$19

*QUICK SHIP is available in functions and finishes shown in red.

BACKSET:

2.75" – for doors 1.75" thick and over
STEEL CASE: .875" x 4" x 5.5"
 (22 x 102 x 140mm)

2.5" – for doors 1.375" thick and over,
 1.375" doors REQUIRE 1" FRONT
STEEL CASE: .75" x 3.5" x 5.5"
 (19 x 89 x 140mm)

NOTE: Baldwin recommends the usage of 2.75" backset locks for doors thicker than 2" or doors 8ft or taller.

1.5" (38mm) and 2" (51mm) Narrow Backset – for doors 1.375" thick and over
STEEL CASE: 1.5" Backset: .75" x 1.5" x 5.5" (19 x 64 x 140mm)

NOTE: Baldwin recommends the usage of 2.75" backset locks for doors thicker than 2" or doors 8ft or taller.
 2.0" Backset: .75" x 3" x 5.5" (19 x 76 x 140mm)

LOCK SPECIFICATIONS:

- Standardized heavy steel case is smooth, easy to mortise, and assures snug and solid fit in door mortise.
- Vital interior working parts are made of solid hot forged brass or steel for a lifetime of trouble-free operation.
- All lock cases are constructed of heavy gauge steel (.093–2.4mm - material) and plated with a protective rust-resistant coating to retard oxidation.
- All locks and strikes are designed to fit standard preparation ANSI A115.1 (face cut outs are subject to variation).
- Locks have adjustable forged brass lock fronts, protected by armor scalp fronts for ultimate Strength and protection against tampering.
- All KEYED lock functions illustrated within this section are furnished with a specially- designed security strike constructed of high grade steel for ultimate Strength and durability. The security strike is mortised into the wood jamb and anchored to the structural components of the opening with two 3" steel screws and covered with a finished strike to conceal the fasteners.
- Most lock functions are completely reversible in the field to facilitate installation.
- The bevel of front is adjustable from flat to standard bevel .125" on 2" (3mm on 51mm).
- Most metal door and frame manufacturers have provided reinforcements for Baldwin Mortise Locks.

FRONT: Hot forged brass .218" x 1.25" x 8" (6 x 32 x 203mm). Adjustable for beveled conditions.

SCALP: Wrought brass and bronze, available in standard finishes.

ANTI-FRICTION LATCH BOLT: Furnished with all 2.75" and 2.5" backset locks
 2.75" – .625" x 1" (16 x 25mm) x .75" (19mm) throw.
 2.5" – .5" x 1" (13 x 25mm) x .75" (19mm) throw
 Furnished in US4 and 26D finishes to match trim

SOLID LATCH BOLT: All 1.5" (38mm) and 2" (51mm) backset locks are furnished standard with a solid latch bolt of .5" (13mm) throw and 1" (25mm) wide front. An optional 1.25" (32mm) wide front is available.

DEADBOLT: 2.5" and 2.75" backsets equipped with a 1" (25mm) throw deadbolt with two hardened steel inserts for maximum protection and security. All deadbolts are of forged brass construction. Locks designed with 1.5" (38mm) and 2" (51mm) backsets have a .5" (13mm) throw deadbolt. Furnished in US4 and 26D finishes to match trim.

HUB SIZE: .29" (7mm) with two-way rotation. Broached on the diamond. (One-way rotation on LS functions).

SPACING: center to center of: Knob Hub to cylinder 3.437" (87mm)
 Knob Hub to turn piece 2.25" (57mm)

CYLINDER: Standard mortise type with 03 keyway and two nickel silver keys. Cylinder is not supplied with lock.

KEYING: All levels of Keying including Construction Keying are available.

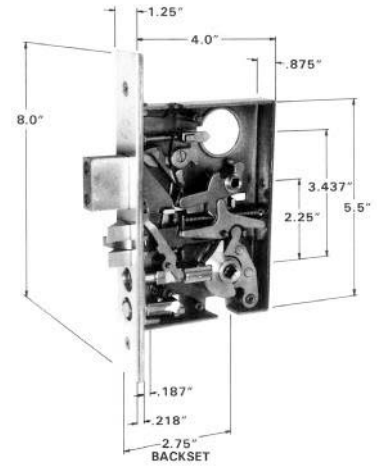
STRIKE: Wrought brass and bronze finished to match. Supplied to ANSI standard A115.1, 1.25" (32mm) lip to center. Locks furnished standard with straight lip strike (Universal) and dust box. Curved lip and special length strikes available. All KEYED lock functions are furnished standard with a high grade steel security strike and two 3" steel screws.

TEMPLATE: Metal doors/frames to be prepared in accordance with ANSI A115.1 or A115.11. Face cutouts are subject to variation. always review trim requirements before door preparation.

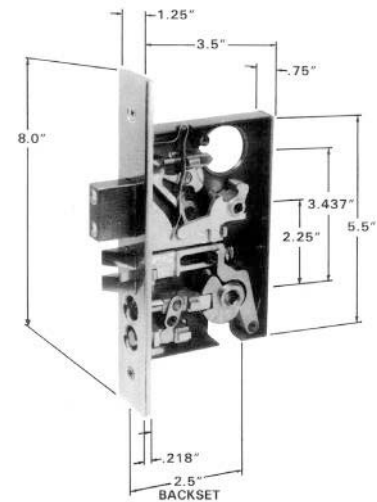
WARNING: 1.5" AND 2.0" BACKSET LOCKS ARE designed to be used with levers. If knobs are specified, customer should be advised that the knob will only turn in one direction and will have a stiff turning action: NOT RECOMMENDED.

All 2.5" and 2.75" Entrance Mortise Locks are U/L Listed

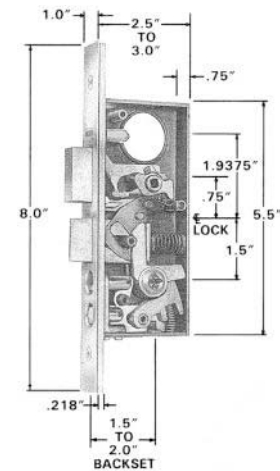
Baldwin UL-listed 2.5" and 2.75" mortise locks meet US standard UL-10C and Canadian standard CAN4 S104-M80 for survival of a 3-hour burn under positive pressure. All Baldwin Estate Collection mortise entry trim and Estate Collection knob/lever trim may be used with Baldwin UL-listed mortise locks.



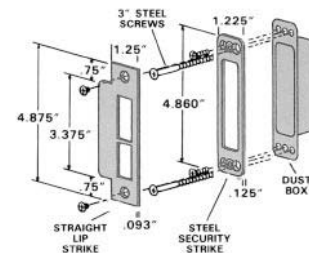
2.75" Backset
for doors 1.75" thick and over



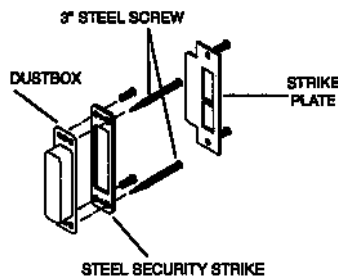
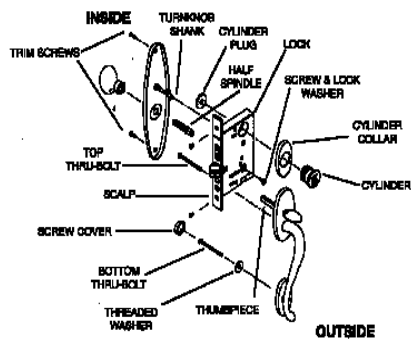
2.5" Backset
for doors 1.375" thick and over



1.5" & 2" Backset
for doors 1.375" thick and over



MORTISE LOCKS



Trim Symbol	Description	2.75" BACKSET (Handle Sets, Knobs & Levers)	2.5" BACKSET (Handle Sets, Knobs & Levers)	2" BACKSET (Handle Sets & Levers)	1.5" BACKSET (Handle Sets & Levers)
ENTR	Entrance Function	6001, 6010, 6020, 6021, 6070, 6075, 6077, 6091	6301, 6310, 6320, 6321, 6375	6802, 6812, 6832	6800, 6810
SGLC	Single Cylinder Function	6051, 6053, 6060, 6065, 6066, 6130	—	—	—
EXTR	Exterior Patio Function	6055, 6100	6315	6847	6845
PRIV	Privacy Function	6055, 6100	6315	6847	6845
PASS	Passage Function	6110	6318	6857	6855
BB75	Back To Back Handle Sets	6025	6325	—	—

NOTE: Entrance function locks may be used in either single cylinder or double cylinder applications.

TO ORDER: 2.75/2.5" backset locks for levers, specify LS (Lever Strength) after lock number (i.e. 6375.030.RLS LOCK - RH).

NOTE: 1.5" and 2.0" Backset Locks are designed to be used with levers. If knobs are specified, customer should be advised that the knob will only turn in one direction and will have a stiff turning action: NOT RECOMMENDED.

CURVED LIP STRIKES: Locks may be ordered with curved lip strikes. The hand of strike will match the hand of the door. Please specify hand of door when ordering. A left hand reverse door will use a right hand strike and a right hand reverse door will use a left hand strike.

*Optional 1" (25mm) front with .75" (19mm) solid latch bolt available for doors of 1.375" (35mm) in thickness. Furnished standard with a curved lip strike.

HOW TO ORDER MORTISE LOCKS

SUFFIX CHART

	Suffix	Minus Strike	With 1" Front*
Right hand	.R	.RDT	.R1DT
Left hand	.L	.LDT	.L1DT
Right hand Reverse bevel	.RR	.RRDT	.RR1DT
Left hand Reverse bevel	.LR	.LRDT	.LR1DT
Right hand Lever Strength	.RLS	.RLSDT	.RLS1DT
Left hand Lever Strength	.LLS	.LLSDT	.LLS1DT
Right hand Reverse bevel Lever Strength	.RRLS	.RRLSDT	.RRB1DT
Left hand Reverse bevel Lever Strength	.LRLS	.LRLSDT	.LRB1DT

*Applies to 2.5" backset locks. For 1" Front DT Distinguishes minus strike. If ordering with strike, do not include the DT note.

1. All Mortise Locks have a handed Suffix (.R or .L)
2. All Mortise Locks are either Knob Strength (no addition to Suffix) or Lever Strength (LS added to the Suffix)

WARNING: DO NOT USE Lever Strength mortise locks with knobs. They only turn one way and have a stiff turning action suitable for levers.

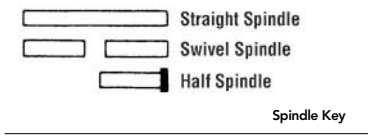
3. Other Mortise Lock options: Reverse Bevel doors (RR or LR) Minus Strike (DT), when an Extended Lip Strike is needed (order Strike separately) Optional 1" Front (1) for 1.375" doors
4. ALWAYS REVIEW SUFFIX CHART!

003, 031, 033
044, 050, 055, 056
060, 076, 102, 112,
190, 260



List of available handling options

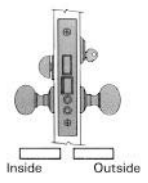
	Suffix*
Right hand	.R
Left hand	.L
Right hand Reverse bevel	.RR
Left hand Reverse bevel	.LR
Right hand Lever Strength	.RLS
Left hand Lever Strength	.LLS
Right hand Reverse bevel Lever Strength	.RRLS
Left hand Reverse bevel Lever Strength	.LRLS
Right hand Reverse bevel Lever Strength with 1" Front	.RRB1
Left hand Reverse bevel Lever Strength with 1" Front	.LRB1



Item #	Description	Backset	Wt.	Std. Strike	
6001.xxx.Suffix*	Entrance/Apartment Knob x Knob/Lever x Lever	2.75"	3.0	6040	\$504
6020.xxx.Suffix*	Residential Entrance Handleset x Knob/Lever	2.75"	3.0	6040	\$504
6021.xxx.Suffix*	Entrance – Emergency Egress Handleset x Knob/Lever	2.75"	3.0	6040	\$504
6025.xxx.Suffix*	Entrance Back-to-Back Handleset x Handleset	2.75"	3.0	6040	\$504
6066.xxx.Suffix*	Electrified Strike Entrance Handleset x Knob/Lever	2.75"	2.8	N/A	\$504
6075.xxx.Suffix*	Entrance – Emergency Egress Knob x Knob/Lever x Lever	2.75"	3.0	6040	\$504
6301.xxx.Suffix*	Entrance/Apartment Knob x Knob/Lever x Lever	2.5"	3.0	6340	\$504
6310.xxx.Suffix*	Entrance/Storeroom Knob x Knob/Lever x Lever	2.5"	3.0	6340	\$504
6320.xxx.Suffix*	Residential Entrance Handleset x Knob/Lever	2.5"	3.0	6340	\$504
6321.xxx.Suffix*	Entrance – Emergency Egress Handleset x Knob/Lever	2.5"	3.0	6340	\$504
6325.xxx.Suffix*	Entrance Back-to-Back Handleset x Handleset	2.5"	3.0	6340	\$504
6375.xxx.Suffix*	Entrance – Emergency Egress Knob x Knob/Lever x Lever	2.5"	3.0	6340	\$504
6800.xxx.Suffix*	Entrance/Apartment Lever x Lever	1.5"	3.0	6340	\$504
6802.xxx.Suffix*	Entrance/Apartment Lever x Lever	2"	3.0	6340	\$504
6810.xxx.Suffix*	Entrance/Storeroom Lever x Lever	1.5"	3.0	6340	\$504
6812.xxx.Suffix*	Entrance/Storeroom Lever x Lever	2"	3.0	6340	\$504
6832.xxx.Suffix*	Residential Entrance Handleset x Lever	2"	3.0	6340	\$504
All Mortise Locks shown above Minus Strike (.DT)					\$460

Mortise Locks NOT available in 402 Distressed finish, non-distressed equivalent 402=102
 2.75" backsets comes with the 1.25" front.
 2.5" backsets comes with the 1.25" front. Non-standard 1" inch fronts are available for a 10% additional charge. To order non-standard front, add a '1' at the end of the Item #. ie 6802.112.R1 (except Reverse Bevel, LRB1, RRB1 and cannot apply to 2.75" backsets) 2" backsets comes with the 1" front. Non-standard 1.25" fronts are available for a 10% additional charge. To order non-standard front, add a '125' at the end of the Item #. ie 6802.112.R125 (except Reverse Bevel, LRB125, RRB125 and cannot apply to 2.75" backsets).
 • Specify handing with Suffix* after finish designation (Suffix chart above left)
 • Some Baldwin mortise locks are reversible in the field if needed – see individual functions
NOTE: Baldwin recommends the usage of 2.75" backset locks for doors thicker than 2" or doors 8ft or taller.
WARNING: DO NOT USE lever Strength mortise locks with knobs. They only turn one way and have a stiff turning action suitable for levers.

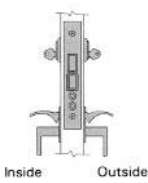
6001, 6301, 6800, 6802
Entrance and Apartment



- Latch bolt by thumb piece from either side, except when outside knob is locked by stop in front, then latch bolt by key outside and knob inside.
- Deadbolt by key outside and turn piece inside. Continuous turn of key outside retracts both latch and Deadbolt.
- 1" (25mm) throw Deadbolt with saw-proof inserts is standard equipment. (Not available for 2" or smaller brackets)
- When extended, Deadbolt deadlocks latch bolt (not true for 6800 & 6802).

FEDERAL SPECIFICATION EQUIVALENTS (FSE): ANSI Series: 100-F08/F10
 Baldwin Mortise Lock Turn Piece cylinder 8444.xxx may be used for interior, see page 171.

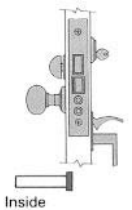
6025, 6325
Back-To-Back Entrance



- Latch bolt by thumb piece from either side, except when outside thumb piece is locked by stop in front, then latch bolt by key either side and thumb piece inside.
- Deadbolt by key either side, continuous turn of key retracts both latch and Deadbolt.
- 1" (25mm) throw Deadbolt with saw-proof inserts is standard equipment. When extended, Deadbolt deadlocks latch bolt.

NOTE: Baldwin Mortise Lock Turn Piece cylinder 8440.xxx may be used on the interior, see page 162.
NOTE: To order and price complete trim sets, order two sets of exterior handle trim in "BBXX" configuration.

6020, 6320, 6832
Residential Entrance



- Latch bolt by thumb piece outside and knob inside, except when thumb piece is locked by stop in front; then latch bolt by key outside and knob inside.
- Deadbolt by key outside and turn piece inside.
- Continuous turn of key outside retracts both latch and Deadbolt.
- 1" (25mm) throw Deadbolt with saw-proof inserts is standard equipment. (Not available for 2" or smaller brackets)
- When extended, Deadbolt deadlocks latch bolt (not true for 6832).

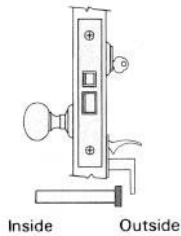
FSE: Government Type: 122A
NOTE: May be used in single and double cylinder applications.
NOTE: To order and price complete trim sets, order two sets of exterior handle trim in "BBXX" configuration.

*QUICK SHIP is available in functions and finishes shown in red.

MORTISE LOCKS

6066

Electric Strike Entrance

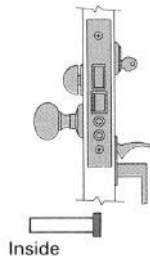


- Latch bolt by knob inside and key outside. Outside trim is always rigid.
- Auxiliary latch deadlocks latch bolt.
- Furnished with solid latch bolt.
- Caution should be used to ensure that the electric strike being used properly engages the latch mechanism while depressing the auxiliary latch.

NOTE: A full dummy trim with an active spindle is recommended for use with this lock.

6021, 6321

Residential Entrance,
Emergency Egress



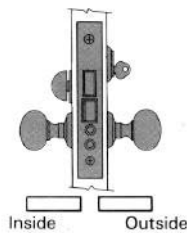
- Latch bolt by thumb piece outside and knob inside, except when thumb piece is locked by stop in front; then latch bolt by key outside and knob inside.
- Deadbolt by key outside and turn piece inside.
- When Deadbolt is thrown, stop is automatically activated making outside thumb piece rigid. Inside knob retracts latch and Deadbolt simultaneously but outside remains LOCKED.
- 1" (25mm) throw Deadbolt with saw-proof inserts is standard equipment.
- When extended, Deadbolt deadlocks latch bolt.

NOTE: Not recommended for double cylinder applications.

NOTE: 6321 - NOT FIELD REVERSIBLE

6075, 6375

Entrance, Emergency Egress



- Latch bolt by knob from either side, except when outside knob is locked by stop in front; then latch bolt by key outside and knob inside. Deadbolt by key outside and turn piece inside. When Deadbolt is thrown, stop is automatically activated making outside knob rigid. Inside knob retracts latch and Deadbolt simultaneously but outside remains LOCKED.
- 1" (25mm) throw Deadbolt with saw-proof inserts is standard equipment. When extended, Deadbolt deadlocks latch bolt.

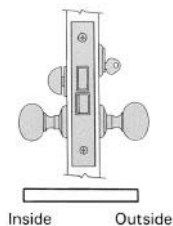
FSE: ANSI Series: 1000-F12/F20

NOTE: Not recommended for double cylinder applications.

NOTE: 6375 - NOT FIELD REVERSIBLE

6310, 6812, 6810

Entrance and Storeroom



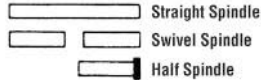
- Latch bolt by knob either side. Deadbolt by key outside and turn piece inside.
- 1" (25mm) throw Deadbolt with saw-proof inserts is standard equipment. (Not available for 2" or smaller backsets) When extended, Deadbolt deadlocks latch bolt.

FSE: ANSI Series: 1000-F21

NOTE: for single and double cylinder applications.

003, 031, 033
044, 050, 055, 056
060, 076, 102, 112,
190, 260

List of available handling options	
	Suffix*
Right hand Lever Strength	.RLS
Left hand Lever Strength	.LLS
Right hand Reverse bevel Lever Strength	.RRLS
Left hand Reverse bevel Lever Strength	.LRLS



Spindle Key

Swivel spindles are recommended for all Grade 1 Mortise Locks, except G110-G311 Passage

WHEN ORDERING CYLINDERS

All G-series light commercial mortise locks require a special cylinder.

Use the existing cylinder chart (back flap) for cylinder length, but add a suffix 'EMHT' to the end of the Item #. (same price as standard C keyway cylinders)

EXAMPLE:

Lifetime Polished Brass 1.25" cylinder for G-series mortise locks

8323.003.EMHT

NOTE: Ernhart Cam can be purchase separately, see page 170.

Item #	Description		ANSI	Backset	
G6010.xxx.Suffix*	Dormitory Entrance or Storeroom	Lever x Lever	F21	2.75"	\$547
G6055.xxx.Suffix*	Privacy, Bedroom or Bathroom	Lever x Lever	F19	2.75"	\$489
G6060.xxx.Suffix*	Classroom, Entrance or Office	Lever x Lever	F04	2.75"	\$489
G6065.xxx.Suffix*	Storeroom or Closet	Lever x Lever	F07	2.75"	\$489
G6075.xxx.Suffix*	Entrance or Apartment	Lever x Lever	F12	2.75"	\$547
G6085.xxx.Suffix*	Entrance or Public Restroom	Lever x Lever	F09	2.75"	\$547
G6090.xxx.Suffix*	Store Door	Lever x Lever	F14	2.75"	\$547
G6110.xxx.Suffix*	Passage or Closet	Lever x Lever	F01	2.75"	\$489
G6130.xxx.Suffix*	Classroom	Lever x Lever	F05	2.75"	\$489
G6310.xxx.Suffix*	Dormitory Entrance or Storeroom	Lever x Lever	F21	2.5"	\$547
G6318.xxx.Suffix*	Passage or Closet	Lever x Lever	F01	2.5"	\$518
G6355.xxx.Suffix*	Privacy, Bedroom or Bathroom	Lever x Lever	F19	2.5"	\$489
G6360.xxx.Suffix*	Classroom, Entrance or Office	Lever x Lever	F04	2.5"	\$489
G6365.xxx.Suffix*	Storeroom or Closet	Lever x Lever	F07	2.5"	\$489
G6375.xxx.Suffix*	Entrance or Apartment	Lever x Lever	F12	2.5"	\$547
G6377.xxx.Suffix*	Entrance or Apartment	Lever x Lever	F20	2.5"	\$547
G6385.xxx.Suffix*	Entrance or Public Restroom	Lever x Lever	F09	2.5"	\$489
G6330.xxx.Suffix*	Classroom	Lever x Lever	F05	2.5"	\$547
G6390.xxx.Suffix*	Store Door	Lever x Lever	F14	2.5"	\$547

Mortise Locks NOT available in 402 Distressed finish, non-distressed equivalent 402=102

2.75" backsets comes with the 1.25" front. 2.5" backsets comes with the 1.25" front. Non-standard 1" inch fronts are available for a 10% additional charge.

To order non-standard front, add a '1' at the end of the Item #. ie 6802.112.R1 (except Reverse Bevel, LRB1, RRB1 and cannot apply to 2.75" backsets)

WARNING: DO NOT USE lever Strength mortise locks with knobs. They only turn one way and have a stiff turning action suitable for levers.

Application:

Baldwin Architects/Designers and Dealer Network have requested the ability to utilize Baldwin Estate Trims in light-duty commercial projects (guest rooms, condominium). The Baldwin G6000/G6300 line of Mortise Locks will provide this capability. All existing Baldwin lever by lever entrance and sectional set locksets are adaptable. Door Preparation: For use with metal doors and frames to be prepared in accordance with ANSI A 115.11.

Specification:

Grade 1: Meets/exceeds operational, security and cycle test requirements U/L: ANSI/UL 10B Listed 3 Hour Fire Rated – UL File No. R13846 Backsets: 2 1/2 and 2 3/4 inch standard Other Sizes Available Case: Heavy Gage Plated Steel Armor Front: Wrought Brass, Bronze or S/S. Adjustable Bevel Option Latch Bolt: 3/4" Throw. Brass – Anti-Friction Type Dead Bolt: 1" Throw. Brass – with Harden Steel Inserts Reversibility: Most functions are field reversible. Factory sets handing to order.

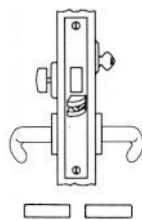
Strikes: Flat standard, curved and long lip strikes available.

Other Specification:

3.437 in lever hub to cylinder center spacing note: designed to be used with existing Baldwin Estate Trim 7.2mm spindle on the diamond for use with Estate Levers

G6010 & G6310

Dormitory Entrance or Storeroom

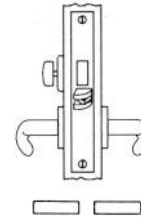


Latch bolt by handle either side. Deadbolt by key outside and thumbturn inside. Use of inside handle retracts latch and deadbolt simultaneously automatically unlocking outside handle.

FEDERAL SPECIFICATION EQUIVALENTS (FSE): ANSI Series: 1000-F21

G6055 & G6355

Privacy, Bedroom or Bathroom

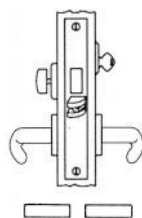


Latch bolt by handle either side. Deadbolt by thumbturn inside and emergency key outside. Use of inside handle retracts latch and dead bolt simultaneously - automatically unlocking outside handle.

FSE: ANSI Series: 1000-F19

G6090 & G6390

Storeroom

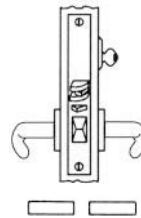


Latch bolt by handle inside and guest/master key outside. Outside handle always rigid. Deadbolt by thumbturn inside and service key only outside.

FSE: ANSI Series: 1000-F14

G6060 & G6360

Classroom, Entrance or Office

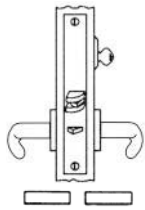


Latch bolt by key outside and handle either side unless outside handle is locked by key outside. Auxiliary latch deadlocks latch bolt.

FSE: ANSI Series: 1000-F04

G6065 & G6365

Storeroom or Closet

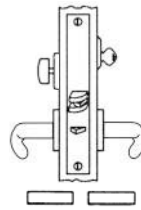


Latch bolt by handle inside and key outside. Outside handle always rigid. Auxiliary latch deadlocks latch bolt.

FSE: ANSI Series: 1000-F07

G6075 & G6375

Entrance or Apartment

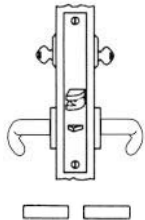


Latch bolt by key outside and handle either side unless outside handle is locked by toggle action stop. Deadbolt by key outside and thumbturn inside. Use of inside handle retracts latch and deadbolt. Outside handle remains locked.

FSE: ANSI Series: 1000-F12

G6085 & G6385

Entrance or Public Restroom

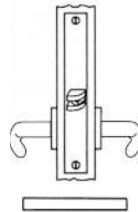


Latch bolt by handle either side unless outside handle is locked by master key from inside. When outside handle is locked, latch Bolt by key outside and handle inside. Auxiliary latch deadlocks latch bolt.

FSE: ANSI Series: 1000-F09

G6110 & G6318

Passage or Closet

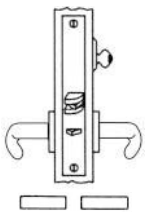


Latch bolt operated by handle either side at all times. Both handles always free.

FSE: ANSI Series: 1000-F01

G6130 & G6330

Classroom

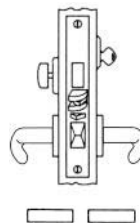


Latch bolt by key outside and handle either side unless outside handle is locked by key outside. Auxiliary latch deadlocks latch bolt.

FSE: ANSI Series: 1000-F05

G6377

Entrance or Apartment



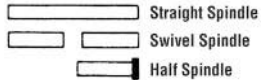
Latch bolt by key outside and handle either side unless outside handle is locked by toggle-action stop. Deadbolt by key outside and thumbturn inside. Use of inside handle retracts latch dead bolt simultaneously. Outside handle remains locked. Auxiliary latch deadlocks latchbolt and prevents manipulation of locked toggle-action stop.

FSE: ANSI Series: 1000-F20

003, 031, 033
044, 050, 055, 056
060, 076, 102, 112,
190, 260

List of available handling options

	Suffix*
Right hand	.R
Left hand	.L



Spindle Key

Item #	Description	Backset	Wt.	
8530.xxx.Suffix*	Interior Mortise Lock – Passage Knob x Knob	2.5"	1.2	\$233
8535.xxx.Suffix*	Interior Mortise Lock – Passage Lever x Lever	2.5"		\$233
8540.xxx.Suffix*	Interior Mortise Lock – Privacy Knob x Knob	2.5"	1.5	\$233
8545.xxx.Suffix*	Interior Mortise Lock – Privacy Lever x Lever	2.5"		\$233
8530.xxx.FSTR	T Strike for Small Case Mortise Locks			\$37

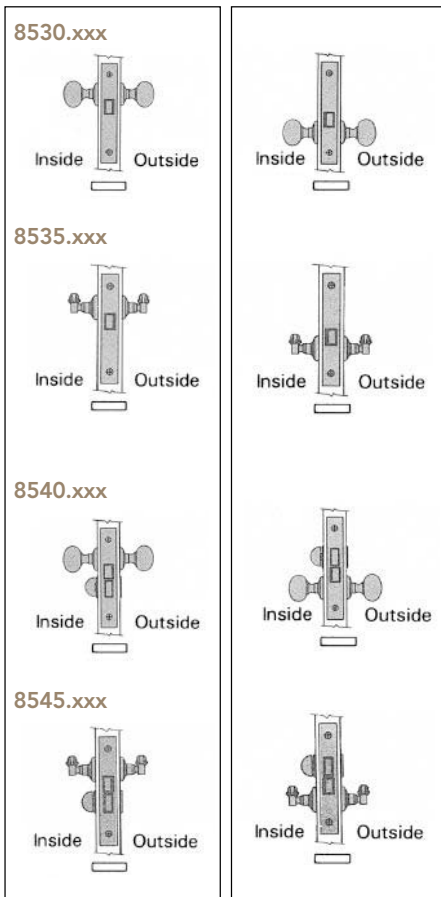
NOTE: 8530.xxx, 8535.xxx, 8540.xxx & 8545.xxx include a 3.5" spindle & offers 40° opening.
Mortise Locks NOT available in 402 Distressed finish, non-distressed equivalent 402=102
• Specify handing with suffix*

PRIVACY FUNCTION: Latch bolt by knob either side. Deadbolt by turn piece inside and Emergency Key 0417 outside.
STEEL CASE: .625" x 3.375" x 3.75" (16 x 86 x 95mm)
FRONT: .156" x 1" x 5.75" (4 x 25 x 133mm). Adjustable for beveled conditions; finished to match.
LATCH BOLT: .5" x .625" (13 x 16mm) x .5" (13mm) throw. Furnished in US4 and 26D finishes to match trim.
DEAD BOLT: .5" x .75" (13 x 19mm) x .5" (13mm) throw. Furnished in US4 and 26D finishes to match trim.
HUB SIZE: .29" (7mm). Broached on the diamond.
BACKSET: 2.5" (64mm)
SPACING: Knob hub to turn piece: 2.25" (57mm)
STRIKE: Specially-designed curved lip strike is fully reversible (non-handed); available in 1.25" (32mm) Lip to Center dimension only.
DUST BOX: Box is furnished unattached; conceals installation marks and cutouts. (8530-000)
PACKED: One in a box with a strike, dust box, fasteners, and 3.5" spindle.

ORDERING INSTRUCTIONS: Locks are supplied as illustrated in left column.
To install locks as illustrated in right column, specify the OPPOSITE HAND OF THE DOOR.

INSTALLATION METHODS

Locks are reversible, may be installed in either position

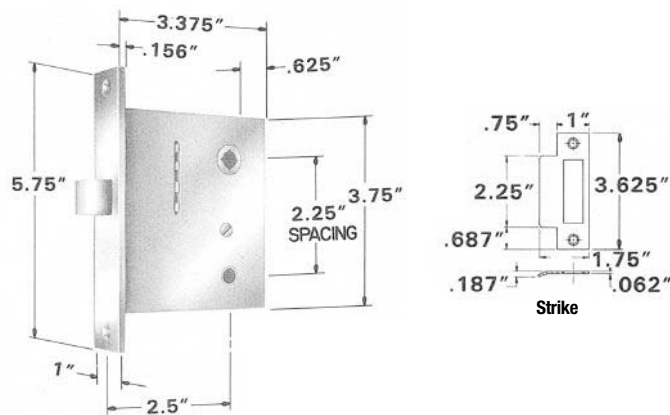


(Normal Installation)

(Reverse Installation, order opposite door handing)

SMALL CASE MORTISE LOCK

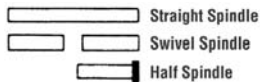
- Quick and easy install on pre-prepared doors
- Heavy gauge steel case, solid forged brass interior working parts
- Completely reversible for all door conditions
- Turn Pieces and Emergency Release Trim must be ordered separately (NOT included in price of lock)
- Due to 2-1/4" spacing, not all Baldwin rosettes and ER trim will fit. To verify fit, add 1/2 height of rose & 1/2 height of ER trim, total cannot exceed 2.25".



MORTISE LOCKS

003, 031, 033
044, 050, 055, 056
060, 076, 102, 112,
190, 260

List of available handling options		Item #	Description	Backset	Wt.	Std.	Strike	
Suffix*		6010.xxx.Suffix*	Interior Mortise Lock – Entrance & Storeroom	Knob x Knob/Lever x Lever	2.75"	3.0	6040	\$444
Right hand	.R	6055.xxx.Suffix*	Interior Mortise Lock – Privacy	Knob x Knob/Lever x Lever	2.75"	2.8	6040	\$444
Left hand	.L	6060.xxx.Suffix*	Interior Mortise Lock – Corridor/Office	Knob x Knob/Lever x Lever	2.75"	2.8	6041	\$444
Right hand Reverse bevel	.RR	6065.xxx.Suffix*	Interior Mortise Lock – Emergency/Utility Room	Knob x Knob/Lever x Lever	2.75"	2.8	6041	\$444
Left hand Reverse bevel	.LR	6070.xxx.Suffix*	Interior Mortise Lock – Dormitory/Exit	Knob x Knob/Lever x Lever	2.75"	2.8	6040	\$444
Right hand Lever Strength	.RLS	6100.xxx.Suffix*	Interior Mortise Lock – Bath/Bedroom	Knob x Knob/Lever x Lever	2.75"	2.8	6040	\$444
Left hand Lever Strength	.LLS	6110.xxx.Suffix*	Interior Mortise Lock – Passage	Knob x Knob/Lever x Lever	2.75"	2.6	6041	\$444
Right hand Reverse bevel Lever Strength	.RRLS	6130.xxx.Suffix*	Interior Mortise Lock – Classroom	Knob x Knob/Lever x Lever	2.75"	2.8	6041	\$444
Left hand Reverse bevel Lever Strength	.LRLS	6315.xxx.Suffix*	Interior Mortise Lock – Bath/Bedroom	Knob x Knob/Lever x Lever	2.5"	xx	6340	\$444
Right hand Reverse bevel Lever Strength with 1" Front	.RRB1	6318.xxx.Suffix*	Interior Mortise Lock – Passage	Knob x Knob/Lever x Lever	2.5"	xx	6341	\$444
Left hand Reverse bevel Lever Strength with 1" Front	.LRB1	6845.xxx.Suffix*	Narrow Interior Mortise Lock – Bath/Bedroom	Lever x Lever	1.5"	xx	6340	\$444
		6847.xxx.Suffix*	Narrow Interior Mortise Lock – Bath/Bedroom	Lever x Lever	2"	xx	6340	\$444
		6855.xxx.Suffix*	Narrow Interior Mortise Lock – Passage	Lever x Lever	1.5"	xx	6341	\$444
		6857.xxx.Suffix*	Narrow Interior Mortise Lock – Passage	Lever x Lever	2"	xx	6341	\$444
All Mortise Locks shown above Minus Strike (DT)								\$402



Spindle Key

Mortise Locks NOT available in 402 Distressed finish, non-distressed equivalent 402=102

2.75" backsets comes with the 1.25" front.

2.5" backsets comes with the 1.25" front. Non-standard 1" inch fronts are available for a 10% additional charge.

To order non-standard front, add a '1' at the end of the Item #. ie 6802.112.R1

(except Reverse Bevel, LRB1, RRB1 and cannot apply to 2.75" backsets)

1.5" and 2" backsets comes with the 1" front. Non-standard 1.25" fronts are available for a 10% additional charge.

To order non-standard front, add a '125' at the end of the Item #.

ie 6802.112.R125 (except Reverse Bevel, LRB125, RRB125 and cannot apply to 2.75" backsets)

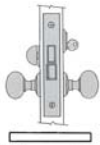
Specify handing with Suffix* after finish designation (Suffix chart above left)

Baldwin mortise locks are reversible in the field if needed

Furnished with anti friction latch. Solid available upon request

WARNING: DO NOT USE lever Strength mortise locks with knobs. They only turn one way and have a stiff turning action suitable for levers.

6010 Entrance and Storeroom



Latch bolt by knob either side. Deadbolt by key outside and turn piece inside. 1" (25mm) throw Deadbolt with saw-proof inserts is standard equipment. When extended, Deadbolt deadlocks latch bolt.

FEDERAL SPECIFICATION EQUIVALENTS

(FSE): ANSI Series: 1000-F21

NOTE: for single and double cylinder applications

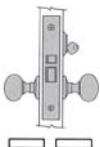
6055 Privacy



Latch bolt by knob either side. Deadbolt by turn piece inside and emergency key 0417 outside. Inside knob retracts latch and Deadbolt simultaneously, automatically unlocking outside knob. 1" (25mm) throw Deadbolt with saw-proof inserts is standard equipment. When extended, Deadbolt deadlocks latch bolt.

FSE: ANSI Series: 1000-F19

6065 Emergency and Utility Room

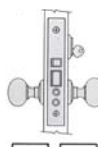


Auxiliary latch deadlocks latch bolt.
*Suggested for use with electric strike. Caution should be used to ensure that the electric strike being used properly engages the latch mechanism while depressing the auxiliary latch. We recommend solid latch bolt with this lock when used with an electric strike. An anti-friction latch is standard. A solid latch is available.

FSE: ANSI Series: 1000-F07

NOTE: For handle set applications, refer to Function 6066.

6060 Corridor and Office



Latch bolt by knob from either side, except when outside knob is locked by stop in front, then by key outside and knob inside. Auxiliary latch deadlocks latch bolt.

FSE: ANSI Series: 1000-F04

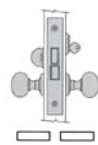
6100, 6315, 6845, 6847 Bathroom and Bedroom



Latch bolt by knob either side. Deadbolt by turn piece inside and emergency key 0417 outside. 1" (25mm) throw Deadbolt with saw-proof inserts is standard equipment. When extended, Deadbolt deadlocks latch bolt.

FSE: ANSI Series: 1000-F02

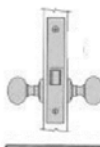
6070 Dormitory and Exit



Latch bolt by knob either side. Deadbolt by key outside and turn piece inside. When Deadbolt is projected, latch bolt is deadlocked and outside knob is rigid. Inside knob retracts latch and Deadbolt simultaneously, automatically unlocking outside knob. 1" (25mm) throw Deadbolt with saw-proof inserts is standard equipment. When extended, Deadbolt deadlocks latch bolt.

FSE: ANSI Series: 1000-F13

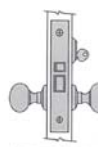
6110, 6318, 6855, 6857 Passage



Latch bolt by knob either side.

FSE: ANSI Series: 1000-F01

6130 Classroom

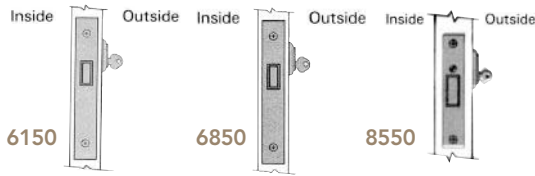


Latch bolt by knob either side, except when outside knob is locked by key outside, then by key outside. Inside knob is always free. Auxiliary latch deadlocks latch bolt.

FSE: ANSI Series: 1000-F05

Single Cylinder

Function: Dead bolt by cylinder key from either side
Included: 8300 Cylinder Collar
Note: 6150, 6850 & 8550 may be used in double cylinder applications



Item #	Description	Backset	Wt.	003, 031, 033, 044 050, 055, 056, 060, 076 102, 112, 190, 260
6150.xxx	Single Cylinder	2.75"	2.0	\$402
6160.xxx	Turn Piece/Cylinder	2.75"	2.3	\$402
6860.xxx	Turn Piece/Cylinder	1.5"	2.3	\$416
6850.xxx	Single Cylinder	1.5"	2.0	\$416
8550.xxx	Single Cylinder	2.5"	1.0	\$257
8555.xxx	Double Cylinder	2.5"	1.0	\$257
8560.xxx	Turn Piece/Cylinder	2.5"	1.0	\$257

Mortise Locks NOT available in 402 Distressed finish, non-distressed equivalent 402=102

BACKSET:

6160 (2.75) – for doors 2.75" thick and over **STEEL CASE:** .875" x 4" x 5.5"
(22 x 102 x 140mm)

8560 (2.5) – for doors 1.375" thick and over, **STEEL CASE:** .75" x 3.75" x 3.75"
1.375" doors REQUIRE 1" FRONT (19 x 89 x 140mm)
Adjustable for beveled conditions; **FRONT:** 0.156" x 1" x 5.75"
finished to match. (4 x 25 x 133mm)

6860 (1.5) (38mm) Narrow Backset – **STEEL CASE:** 1.5" Backset:
for doors 1.375" thick and over .75" x 2.5" x 5.5"
(19 x 64 x 140mm)
FRONT: 0.156" x 1" x 5.75"
2.0" Backset: .75" x 2.5" x 5.5"
(19 x 76 x 140mm)
FRONT:* 0.218" x 1" x 8"
(6 x 25 x 203mm)

Double Cylinder

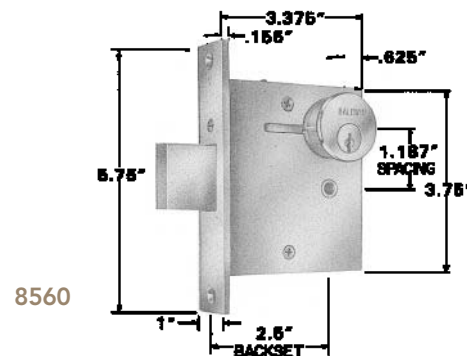
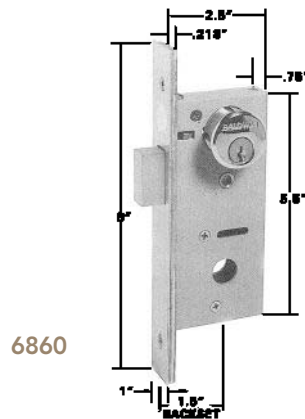
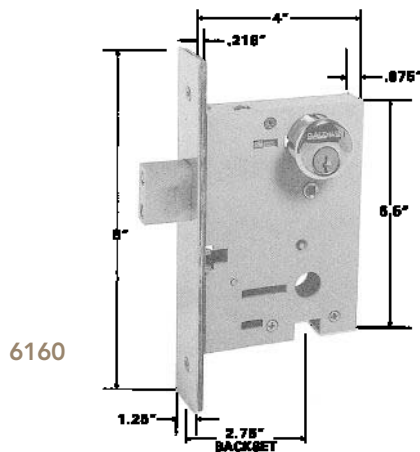
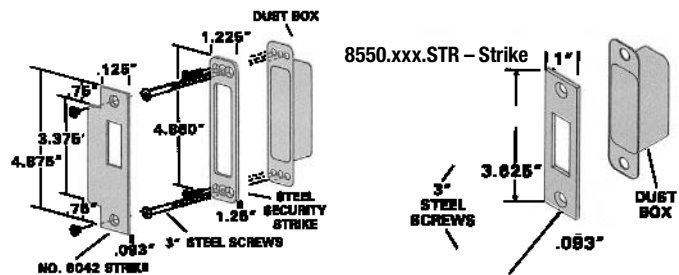
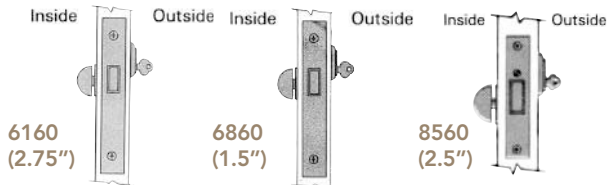
Function: Dead bolt by cylinder key from either side
Included: 8300 Cylinder Collar, 2 each



- Heavy gauge steel case with solid forged brass working parts
 - Completely reversible for all door conditions
- DEADBOLT:** .5" x 1.25" (13 x 32mm) x 1" (25mm) throw with two saw-proof inserts.
STRIKE: Heavy gauge brass finished to match.
 Furnished with two 3" steel screws and a dust box standard (8530.000).
CYLINDER: Standard mortise type not included – must be purchased separately.
PACKED: One in a box. 8300 Cylinder Collar, 8530.000 Dust Box, and fasteners.

Turn Piece/ Cylinder

Function: Dead bolt by cylinder key outside and turn piece inside
Included: 8300 Cylinder Collar & 6750 Turn Piece
Note: Other turn pieces and cylinder trim are available



MORTISE LOCKS

003, 031
033, 044, 050, 055
056, 060, 076, 102
112, 190, 260

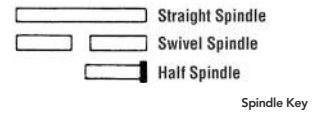
Item #	Description	Backset	Wt.	Std. Strike	
6051.xxx.Suffix*	Fail Safe (power off unlocks outside knob)	Knob x Knob/Lever x Lever	2.75"	3.0	6041
6053.xxx.Suffix*	Fail Secure (power off locks outside knob)	Knob x Knob/Lever x Lever	2.75"	3.0	6041
All Mortise Locks shown above Minus Strike (.DT)					\$1,123

List of available handling options	
Suffix*	
Right hand	.R
Left hand	.L
Right hand Reverse bevel	.RR
Left hand Reverse bevel	.LR
Right hand Lever Strength	.RLS
Left hand Lever Strength	.LLS
Right hand Reverse bevel Lever Strength	.RRLS
Left hand Reverse bevel Lever Strength	.LRLS

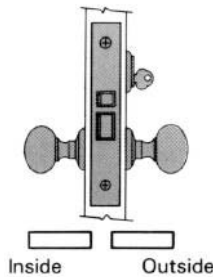
Mortise Locks NOT available in 402 Distressed finish, non-distressed equivalent 402=102

- Specify handing with Suffix* after finish designation (Suffix chart above left)
- Baldwin mortise locks are reversible in the field if needed

WARNING: DO NOT USE lever Strength mortise locks with knobs. They only turn one way and have a stiff turning action suitable for levers.

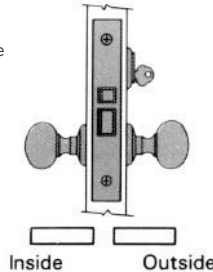


6051
Fail Safe



- Latch bolt by knob either side except when outside knob is locked by energizing solenoid.
- Key outside retracts latch bolt when solenoid is energized.
- Inside knob is always FREE.
- Auxiliary Latch deadlocks latch bolt.
- **IMPORTANT: POWER OFF UNLOCKS OUTSIDE KNOB.**

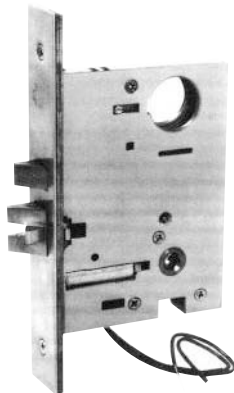
6053
Fail Secure



- Latch bolt by knob either side ONLY when solenoid is energized.
- Latch bolt retracted by key outside and knob inside when solenoid is NOT energized.
- Inside knob is always FREE.
- Auxiliary Latch deadlocks latch bolt.
- **IMPORTANT: POWER OFF LOCKS OUTSIDE KNOB.**

MORTISE LOCKS

Mortise Electrical Specifications



RATED VOLTAGE: 24V AC/24V DC – AC/DC Converter is built inside.
OPERATING VOLTAGE RANGE: 22-26V AC/V DC
TEST VOLTAGE: 18V AC/V DC
RATED CURRENT: 0.35 Amperes (0.4 Amperes Maximum)
DUTY: Continuous
SOLENOID LEAD WIRE LENGTH: 6' (153mm)
IMPORTANT FEATURE: To facilitate installation, Solenoid is constructed inside the lock case.
IMPORTANT NOTES:

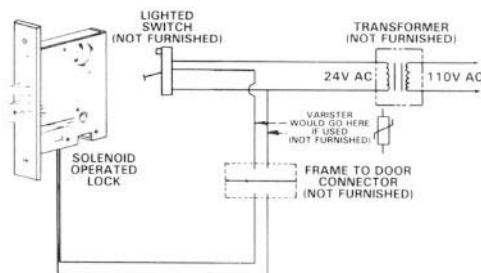
- 1.) Each electrified lock should have its own 24 volt transformer. Two or more locks may be operated in PARALLEL from a single transformer with the proper current rating. DO NOT connect locks in a series from a higher rated transformer.
- 2.) We DO NOT recommend wiring electrified locks to a circuit containing electromagnetic devices as transient voltage can cause damage to the lock. Transient voltage must be suppressed at its source before connecting locks to the circuit.
- 3.) A Varistor at 35 volts (peak-recurrent) may be used for transient voltage protection. 1-hole for latch bolt – Electric strike not available - must order 3rd party

APPLICATIONS: Electrically-controlled locking devices are designed for specific security and fire safety installations including:

- | | |
|----------------------------------|-------------------------|
| Security Controlled Entrances | Stairwell Doors |
| Apartment Buildings | Computer Rooms |
| Remote-controlled Security Doors | Hospital/Narcotic Areas |
| Fire Safety Alarms | Cashier Rooms |

CONTROLLING/REGULATING DEVICES: Electrified locks can be locked or unlocked by the following means:

- | | |
|-------------------------|--------------------------|
| Toggle (Wall) Switch | Computerized Controls |
| Master Control Consoles | Access Card Readers |
| Automatic Time Devices | Smoke/Fire Alarms |
| Security Alarms | Thermo-Sensitive Devices |



Specifications for all Entrance Strikes

THICKNESS:
0.93" (2.3mm), brass material.

TEMPLATE:
Designed to fit metal/wood frames prepared in accordance to ANSI A115.1/A115.11.

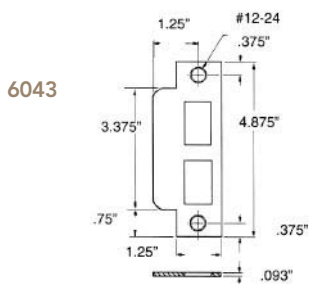
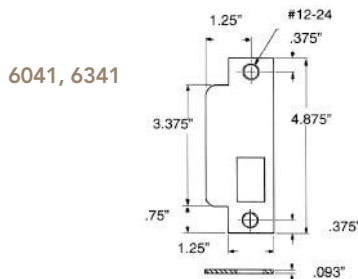
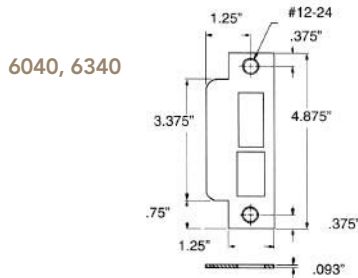
CURVED LIP:
Available with a curved lip. Supplied standard with all locks incorporating a solid-type latch bolt. ALWAYS SPECIFY

SCREWS:
Furnished with 12 combination wood/machine screws, finished to match.

FEATURES:
Furnished flat with rounded lip edges for universal use with left and right handed locks.

HAND OF DOOR:
Example: 6340.XXX.R.
Please see ordering instructions in this section.

ASA Strikes - Straight & Curved Lip
Residential Entrance, Emergency Egress



ASA Strikes – Straight Lip – 1.25" Lip-to-Center

003, 031, 033
044, 050, 055, 056
060, 076, 102, 112,
190, 260

Item #	Function	
6040.xxx	2.75" backset latch, deadbolt	\$45
6041.xxx	2.75" backset latch only	\$45
6043.xxx	2.75" backset latch, deadbolt, aux latch	\$45
6340.xxx	1.5," 2," 2.5" backset latch, deadbolt	\$45
6341.xxx	1.5," 2," 2.5" backset latch only	\$45

ASA Strikes – Curved Lip – 1.25" Lip-to-Center

Item #	Function	
6040.xxx.R (L)	2.75" backset latch, deadbolt	\$45
6041.xxx.R (L)	2.75" backset latch only	\$45
6043.xxx.R (L)	2.75" backset latch, deadbolt, aux latch	\$45
6340.xxx.R (L)	1.5," 2," 2.5" backset latch, deadbolt	\$45
6341.xxx.R (L)	1.5," 2," 2.5" backset latch only	\$45

Curved lip strikes are handed – order same hand as door (.R or .L)

6044.xxx, 6340.xxx – LATCH/DEADBOLT FUNCTION

- Supplied standard with all locks
- Anti-friction latch bolt
- 6040 – Use with locks incorporating a .625" (16mm) wide latch bolt (6000 Series)
- 6340 – Use with locks incorporating a .5" (13mm) wide latch bolt. (6300 Series and 6800 Series locks)

6041.xxx, 6341.xxx – LATCH BOLT FUNCTION

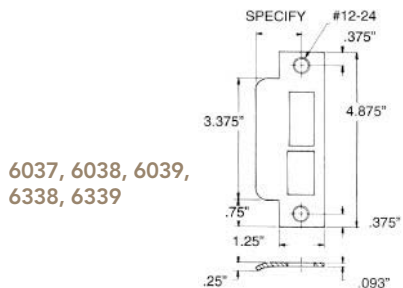
- 6041 – Use with locks incorporating .625" (16mm) wide latch bolt (6000 Series)
- 6341 – Use with locks incorporating .5" (13mm) wide latch bolt. (6300 Series and 6800 Series locks)

6043.xxx – LATCH/AUXILIARY LATCH/DEADBOLT FUNCTION

Use with lock functions incorporating a latch, auxiliary latch, and deadbolt
Available for 6000 Series locks only

ASA Strikes - Extended Lip

003, 031, 033
044, 050, 055, 056
060, 076, 102, 112,
190, 260



6037, 6038, 6039,
6338, 6339

Item #	Function	
6037.xxx.XXXX	2.75" backset latch, deadbolt, aux latch	\$95
6038.xxx.XXXX	2.75" backset latch only	\$95
6039.xxx.XXXX	2.75" backset latch, deadbolt	\$95
6338.xxx.XXXX	1.5," 2," 2.5" backset latch only	\$95
6339.xxx.XXXX	1.5," 2," 2.5" backset latch, deadbolt	\$95

.XXXX indicates Extended Lip to Center size = .R158, .L158, .R178, .L178, .R214, .L214, .R300, .L300

6037, 6038, 6039, 6338, 6339.xxx – EXTENDED LIP STRIKES (HANDED)

- Use with locks installed on special door/frame conditions
- Supplied with a curved lip only
- ALWAYS SPECIFY HAND OF DOOR AND REQUIRED LENGTH
- **Note:** Reverse bevel doors use opposite hand for strike selection (ie. Right hand reverse bevel use left hand strike.)

Lip to Center lengths:

- .R158 or .L158 – 1.625" (41mm)
- .R178 or .L178 – 1.875" (48mm)
- .R214 or .L214 – 2.25" (57mm)
- .R300 or .L300 – 3" (76mm)

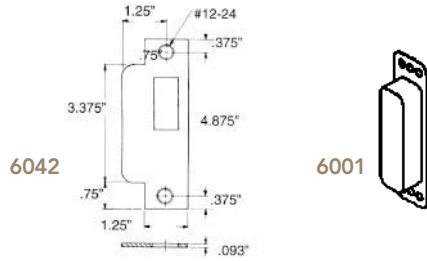
Lip to Center length determined by the following formula:

Door thickness ÷ 2 + .375" (10mm) = Lip to Center length
Round to closest size

*Strikes NOT available in Distressed finishes, non-distressed equivalents 402=102, 452=152



Deadlock Strike & Dust Box



Deadlock Strike

003, 031, 033
044, 050, 055, 056
060, 076, 102, 112,
190, 260

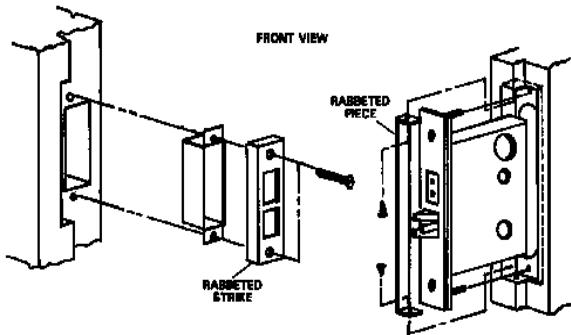
Item #	Function	
6042.xxx	Deadlock function strike for 6000 & 6800 only	\$45
<ul style="list-style-type: none"> • Use with lock functions incorporating a deadbolt • Available for 6000 Series and 6800 Series locks only 		

DUST BOX

Item #	Description	
6001.000	Dust Box (included with all Mortise Locks)	\$7
<ul style="list-style-type: none"> • Designed to conceal installation cut-outs and marks behind strikes. • Box measures 1" (25mm) deep for use with all lock functions and strikes. • Furnished standard with all mortise locks illustrated within this section. 		

Rabbeted Door Strike

003, 031, 033
044, 050, 055, 056
060, 076, 102, 112,
190, 260



Item #	Function	
6897.xxx	1.5", 2", 2.5" backset, RABBETED strike	\$153

Used with all 1.5" (38mm), 2" (51mm), 2.5" (64mm) backset locks (6300, 6800 Series)

FEATURES: Rabbeted strikes and pieces are used on pairs of doors that have a meeting rail which is rabbeted or on single doors that have a rabbeted frame. The strike is designed to fit in a .5" (13mm) rabbet; a separate rabbeted piece conforms to the face of the lock. This rabbeted assembly is available for locks with 1.25" (32mm) wide fronts only.

SIZES: Strike 1" x 5" (25 x 127mm) (Non-Handed); Rabbeted Piece: .5" x 8" (13 x 203mm)

IMPORTANT NOTES:

1. RABBETED STRIKE AND PIECE ARE ONLY AVAILABLE FOR 1.75" (44mm) DOORS.
2. When a rabbeted strike is ordered in conjunction with a keyed function lock, a steel security strike is NOT supplied.

PACKED: One complete set in a box with appropriate fasteners.

ORDERING INSTRUCTIONS: 6897 — Used with all 1.5" (38mm), 2" (51mm), 2.5" (64mm) backset locks (6300, 6800 Series). All locks which are furnished standard with a 1" (25mm) wide front must be ordered with a 1.25" (32mm) wide front.

NOT AVAILABLE for 2.75" backset locks

Armored Fronts

- For use on 6000 Series Locks (2.75" backset only)
- 1.25" (32mm) wide front and .625" (16mm) wide latch bolt

6000 Series	1.25" (32mm)	
6010.xxx.0004	Latch/Deadbolt	
6021.xxx.0004	Latch/Deadbolt/Stops	
6060.xxx.0004	Latch/Auxiliary Latch/Stops	
6065.xxx.0004	Latch/Auxiliary Latch	
6080.xxx.0004	Latch/Auxiliary Latch/Deadbolt/Stops	
6091.xxx.0004	Latch/Auxiliary Latch/Deadbolt	
6110.xxx.0004	Latch	
6150.xxx.0004	Deadbolt	

- For use on 6300 Series Locks (2.5" backset only)
- 1.25" (32mm) wide front and .5" (13mm) wide latch bolt

6300 Series	1" (25mm)	1.25" (32mm)	
6301.xxx.0004	Latch/Deadbolt/Stops	Latch/Deadbolt/Stops	
6310.xxx.0004	Latch/Deadbolt	Latch/Deadbolt	
6318.xxx.0004	Latch	Latch	
6301.xxx.0084	Latch/Deadbolt/Stops	Latch/Deadbolt/Stops	
6310.xxx.0084	Latch/Deadbolt	Latch/Deadbolt	
6318.xxx.0084	Latch	Latch	

- For use on 6800-6802 Series Locks (1.5" and 2" backset)
- 1.25" (32mm) wide front and .5" (13mm) wide latch bolt

6800 Series	1" (25mm)	1.25" (32mm)	
6150.xxx.0004	Deadbolt	Deadbolt	
6800.xxx.0004	Latch/Deadbolt/Stops	Latch/Deadbolt/Stops	
6810.xxx.0004	Latch/Dead Bolt	Latch/Dead Bolt	
6855.xxx.0004	Latch	Latch	
6150.xxx.0084	Deadbolt	Deadbolt	
6800.xxx.0084	Latch/Deadbolt/Stops	Latch/Deadbolt/Stops	
6810.xxx.0084	Latch/Deadbolt	Latch/Deadbolt	
6855.xxx.0084	Latch	Latch	

Armored Fronts

Removable armored fronts protect the lock against tampering of the cylinder yoke assembly. Available in all matching finishes of mortise locks.

ORDERING INSTRUCTIONS: Specify part number indicated below and finish required.

1.25" Armored Fronts – standard for 2.5" & 2.75" backset mortise locks

003, 031, 033
044, 050, 055, 056
060, 076, 102, 112,
190, 260

Item #	Function	
6010.xxx.0004	Latch/Deadbolt	\$45
6021.xxx.0004	Latch/Deadbolt/Stops	\$45
6060.xxx.0004	Latch/Auxiliary Latch/Stops	\$45
6065.xxx.0004	Latch/Auxiliary Latch	\$45
6080.xxx.0004	Latch/Auxiliary Latch/Deadbolt/Stops	\$45
6091.xxx.0004	Latch/Auxiliary Latch/Deadbolt	\$45
6110.xxx.0004	Latch	\$45
6150.xxx.0004	Deadbolt	\$45
6301.xxx.0004	Latch/Deadbolt/Stops	\$45
6310.xxx.0004	Latch/Deadbolt	\$45
6318.xxx.0004	Latch	\$45
6800.xxx.0004	Latch/Deadbolt/Stops	\$45
6810.xxx.0004	Latch/Deadbolt	\$45
6855.xxx.0004	Latch	\$45

1" Armored Fronts – standard for 1.5" & 2" backset mortise locks

Item #	Function	
6301.xxx.0084	Latch/Deadbolt/Stops	\$45
6310.xxx.0084	Latch/Deadbolt	\$45
6318.xxx.0084	Latch	\$45
6150.xxx.0084	Deadbolt	\$45
6800.xxx.0084	Latch/Deadbolt/Stops	\$45
6810.xxx.0084	Latch/Deadbolt	\$45
6855.xxx.0084	Latch	\$45

*Strikes NOT available in 402 Distressed finish, non-distressed equivalent 402=102

Single Cylinder - C Keyway

Door Thickness	1.375"		1.75"		2"		2.25"		2.5"		2.75"		3"	
	Cylinder Length	Blocking Ring	Cylinder Length	Blocking Ring	Cylinder Length	Blocking Ring	Cylinder Length	Blocking Ring	Cylinder Length	Blocking Ring	Cylinder Length	Blocking Ring	Cylinder Length	Blocking Ring
A - .0625"	1" 8321.xxx	.1875" 8440.xxx.5	1" 8321.xxx	—	1.125" 8322.xxx	—	1.25" 8323.xxx	—	1.375" 8324.xxx	—	1.375"	—	1.5"	—
B - .0937"	1" 8321.xxx	.1562" 8440.xxx.4	1" 8321.xxx	—	1.125" 8322.xxx	—	1.25" 8323.xxx	—	1.375" 8324.xxx	—	1.375"	—	1.5"	—
C - .125"	1" 8321.xxx	.125" 8440.xxx.3	1.125" 8322.xxx	—	1.125" 8322.xxx	—	1.25" 8323.xxx	—	1.375" 8324.xxx	—	1.375"	—	1.5"	—
D - .1875"	1" 8321.xxx	—	1.125" 8322.xxx	—	1.25" 8323.xxx	—	1.375" 8324.xxx	—	1.5" 8325.xxx	—	1.5"	—	1.625"	—
E - .25"	1" 8321.xxx	—	1.25" 8323.xxx	—	1.25" 8323.xxx	—	1.375" 8324.xxx	—	1.5" 8325.xxx	—	1.5"	—	1.75"	—
F - .3125"	1.125" 8322.xxx	—	1.25" 8323.xxx	—	1.375" 8324.xxx	—	1.5" 8325.xxx	—	1.625" 8326.xxx	—	1.625"	—	1.75"	—
G - .375"	1.125" 8322.xxx	—	1.25" 8323.xxx	—	1.375" 8324.xxx	—	1.5" 8325.xxx	—	1.625" 8326.xxx	—	1.625"	—	1.75"	—
H - .435"	1.125" 8322.xxx	—	1.375" 8324.xxx	—	1.5" 8325.xxx	—	1.625" 8326.xxx	—	1.75" 8327.xxx	—	1.75"	—	2"	—
H1 - .53"	1.125" 8322.xxx	—	1.5" 8325.xxx	—	1.625" 8326.xxx	—	1.75" 8327.xxx	—	1.75" 8327.xxx	—	2"	—	2"	—
I - .56"	1.125" 8322.xxx	—	1.5" 8325.xxx	—	1.625" 8326.xxx	—	1.75" 8327.xxx	—	1.75" 8327.xxx	—	2"	—	2"	—
J - .75"	1.5" 8325.xxx	—	1.625" 8326.xxx	—	1.75" 8327.xxx	—	2" 8328.xxx	.125" 8440 xxx.3	2" 8328.xxx	—	2"	—	2.25"	—

MORTISE LOCKS

8321-8330



Item #	Description	
8321.xxx	1" Mortise Cyl.	\$82
8322.xxx	1.125" Mortise Cyl.	\$82
8323.xxx	1.25" Mortise Cyl.	\$82
8324.xxx	1.375" Mortise Cyl.	\$82
8325.xxx	1.5" Mortise Cyl.	\$82
8326.xxx	1.625" Mortise Cyl.	\$169
8327.xxx	1.75" Mortise Cyl.	\$169
8328.xxx	2" Mortise Cyl.	\$169
8329.xxx	2.25" Mortise Cyl.	\$169
8330.xxx	2.5" Mortise Cyl.	\$169

003, 031, 033
044, 050, 055, 056
060, 076, 102, 112,
190, 260, M02

Hotel function cylinders: Add "H" to end. \$25 list Adder. When ordering cylinders for G-SERIES MORTISE LOCKS, use this chart, but add a suffix 'EMHT' to the end of the Item # (same price as standard C keyway cylinders).

QuickShip cylinder is only for 1.75" Thick Doors. Other mortise lock components, including thick door kits and locks less strikes are available with standard lead times.

EXAMPLE: Lifetime Polished Brass 1.25" cylinder for G-series mortise 8323.003.EMHT

Double Cylinder - C Keyway

Door Thickness	1.375"		1.75"		2"		2.25"		2.5"		2.75"		3"	
	Cylinder Length	Blocking Ring	Cylinder Length	Blocking Ring	Cylinder Length	Blocking Ring	Cylinder Length	Blocking Ring	Cylinder Length	Blocking Ring	Cylinder Length	Blocking Ring	Cylinder Length	Blocking Ring
A - .0625"	1" 8321.xxx.DBL	.2812"+8440.xxx.2&5	1" 8321.xxx.DBL	.0937"+8440.xxx.2	1" 8321.xxx.DBL	—	1.125" 8322.xxx.DBL	—	1.25" 8323.xxx.DBL	—	1.375"	—	1.5"	—
B - .0937"	1" 8321.xxx.DBL	.25"+8440.xxx.6	1" 8321.xxx.DBL	.125" 8440.xxx.3	1" 8321.xxx.DBL	—	1.125" 8322.xxx.DBL	—	1.25" 8323.xxx.DBL	—	1.375"	—	1.5"	—
C - .125"	1" 8321.xxx.DBL	.25"+8440.xxx.6	1" 8321.xxx.DBL	.0625" 8440.xxx.1	1.125" 8322.xxx.DBL	.0625" 8440.xxx.1	1.25" 8323.xxx.DBL	.0625" 8440.xxx.1	1.375" 8324.xxx.DBL	.0625" 8440.xxx.1	1.375"	—	1.5"	—
D - .1875"	1" 8321.xxx.DBL	.1562"+8440.xxx.4	1.125" 8322.xxx.DBL	.0937"+8440.xxx.2	1.125" 8322.xxx.DBL	—	1.25" 8323.xxx.DBL	—	1.375" 8324.xxx.DBL	—	1.5"	—	1.625"	—
E - .25"	1" 8321.xxx.DBL	.0937"+8440.xxx.2	1.125" 8322.xxx.DBL	.0625" 8440.xxx.1	1.25" 8323.xxx.DBL	.0625" 8440.xxx.1	1.375" 8324.xxx.DBL	.0625" 8440.xxx.1	1.5" 8325.xxx.DBL	.0625" 8440.xxx.1	1.5"	—	1.625"	—
F - .3125"	1" 8321.xxx.DBL	.0625" 8440.xxx.1	1.25" 8323.xxx.DBL	.0937"+8440.xxx.2	1.25" 8323.xxx.DBL	—	1.375" 8324.xxx.DBL	—	1.5" 8325.xxx.DBL	—	1.625"	—	1.75"	—
G - .375"	1" 8321.xxx.DBL	—	1.25" 8323.xxx.DBL	.0625" 8440.xxx.1	1.375" 8324.xxx.DBL	.0625" 8440.xxx.1	1.5" 8325.xxx.DBL	.0625" 8440.xxx.1	1.625" 8326.xxx.DBL	.0625" 8440.xxx.1	1.625"	—	1.75"	—
H - .435"	1" 8321.xxx.DBL	—	1.25" 8323.xxx.DBL	—	1.375" 8324.xxx.DBL	—	1.5" 8325.xxx.DBL	—	1.625" 8326.xxx.DBL	—	1.75"	—	2"	.125"+
H1 - .53"	1.125" 8322.xxx	—	1.375" 8324.xxx.DBL	—	1.5" 8325.xxx.DBL	.0625" 8440.xxx.1	1.625" 8326.xxx.DBL	—	1.75" 8327.xxx.DBL	—	2"	.125"+	2"	—
I - .5625"	1.125" 8322.xxx.DBL	—	1.375" 8324.xxx.DBL	—	1.5" 8325.xxx.DBL	—	1.625" 8326.xxx.DBL	—	1.75" 8327.xxx.DBL	—	2"	.125"+	2"	—
J - .75"	1.5" 8325.xxx.DBL	.0937"+8440.xxx.2	1.625" 8326.xxx.DBL	.0625" 8440.xxx.1	1.75" 8327.xxx.DBL	.0625" 8440.xxx.1	2" 8328.xxx.DBL	.1562"+8440.xxx.4	2" 8328.xxx.DBL	.0625" 8440.xxx.1	2"	—	2.25"	.0625"
F - .3125" Exterior	1" 8321.xxx	—	1.125" 8322.xxx	—	1.25" 8323.xxx	—	1.375" 8324.xxx	—	1.5" 8325.xxx	—	1.625"	—	1.75"	—
K - .875" Exterior	1.5" 8325.xxx	—	1.75" 8327.xxx	—	2" 8328.xxx	.125" 8440.xxx.3	2" 8328.xxx	—	2.25" 8329.xxx	.125" 440.xxx.3	2.25"	—	2.25"	—

MORTISE LOCKS

003, 031, 033
044, 050, 055, 056
060, 076, 102, 112,
190, 260

Item #	Description		
8321.xxx.DBL	1"	Double Cyl.	\$161
8322.xxx.DBL	1.125"	Double Cyl.	\$161
8323.xxx.DBL	1.25"	Double Cyl.	\$161
8324.xxx.DBL	1.375"	Double Cyl.	\$161
8325.xxx.DBL	1.5"	Double Cyl.	\$161
8326.xxx.DBL	1.625"	Mortise Cyl.	\$336
8327.xxx.DBL	1.75"	Mortise Cyl.	\$336
8328.xxx.DBL	2"	Mortise Cyl.	\$336
8329.xxx.DBL	2.25"	Mortise Cyl.	\$336
8330.xxx.DBL	2.5"	Mortise Cyl.	\$336

Blocking Rings

8440



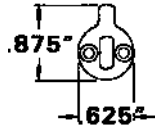
003, 031, 033
044, 050, 055, 056
060, 076, 102, 112,
190, 260, M02

Item #	Description	
8440.xxx.001	.0625" - 1/16" B.R.	\$22
8440.xxx.002	.0937" - 3/32" B.R.	\$22
8440.xxx.003	.125" - 1/8" B.R.	\$22
8440.xxx.004	.1562" - 5/32" B.R.	\$22
8440.xxx.005	.1875" - 3/16" B.R.	\$22
8440.xxx.006	.25" - 1/4" B.R.	\$22

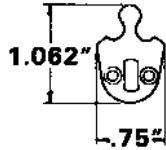
+ Two Blocking Rings Required

Cams for Mortise Cylinders

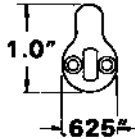
Adams Rite Cam



Emhart Cam



Standard Cam



Item #	Description	Finish	Price
8300.509.AR	Adams Rite Cam	509	\$12
8300.509.EMHT	Emhart Cam	509	\$12
8300.509.STD	Standard Cam	509	\$12

ADAMS RITE CAM

Thickness: .0625" (2mm)
For Adams Rite Series 1800, 4093, 4500.

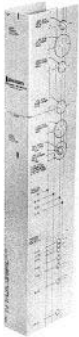
EMHART CAM

Thickness: .0625" (2mm)
For use with Emhart Mortise type locks.

STANDARD CAM

Thickness: .0625" (2mm)
For use with most manufacturers of Mortise type locks.

Residential Trim Making Template

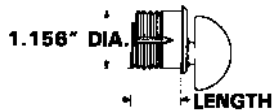


Item #	Description	Price
8498.000	Residential trim marking template – 2.75" doors	\$76

Features: To eliminate face drilling errors with Residential Trim shown in this section, Baldwin offers an economical metal template to ensure precision hold alignment. The template is designed to easily slide over a 1.75" (44mm) door and engages into the mortise cutout. The hole positions mark the center of the specific bore locations. Before marking hole positions, ALWAYS check to verify that metal template is square to mortise cutout. Mark hole locations accordingly and remove template.

MORTISE LOCKS

Mortise Lock Turn Piece Cylinders



003, 031, 033
044, 050, 055, 056
060, 076, 102, 112,
190, 260

Item #	Description	Price
8441.xxx	1" Turn Knob Cylinder	\$161
8442.xxx	1.125" Turn Knob Cylinder	\$161
8443.xxx	1.25" Turn Knob Cylinder	\$161
8444.xxx	1.625" Turn Knob Cylinder	\$161

Mortise Lock Turn Piece Cylinders

Features: Used for specific conditions when operation by turn piece is required in place of a key. Available only with 6720 T-knob attached. Not handed.

Cylinder Trim

Cylinder Not Included

003, 031, 033
044, 050, 055, 056
060, 076, 102, 112,
190, 260, 402

Item #	Description	
6737.xxx	Square Cylinder Collar	\$66
6738.xxx	Contemporary Round Collar	\$66
6739.xxx	Lakeshore Cylinder Collar	\$66
6743.xxx	Contemporary Square Collar	\$66
6754.xxx	Oval Cylinder Collar	\$66
6757.xxx	Colonial Cylinder Collar	\$66
6761.xxx	Dummy Cylinder	\$66
6768.xxx	Beaded Cylinder Collar	\$66
6755.xxx	Cylinder Lock Cover Plate	\$140
8300.xxx	Compression Cylinder Collar**	\$25
8314.xxx	Wrought Cylinder Collar**	\$21

**8300 & 8314 NOT available in Distressed finishes

NOTE: Cylinder collars are only for mortise cylinders and will not work on tubular deadbolts.

6737

2.5" x 2.5" x .25"
projection - E
(64 x 64mm)



6738

1.75" dia. x .375"
projection - G



6739

1.9" x 1.9" x .375"
projection - G



6743

2.0" x 2.0" x .375"
projection - G



6754

1.687" x 3" x .3125"
projection - F
(43 x 76mm)



6755

1.625" x 2.375" x .3125"
projection - A
(41 x 60mm)

NOTE: Prepared to fit Baldwin mortise or trim cylinders only.



6757

1.75" projection - F
(44mm) dia.



6761

For use with escutcheons and sectional trim for symmetrical appearance on pairs of doors.



6768

1.75" projection - C
(44mm) dia.



8300

Compression Cylinder Collar
Projection D-E-F



8314

Standard Rim Cylinder Collar
Diameter: 1.945" (49mm)
Thickness: .030 (.8mm)
Adjustment Range: None



Mortise Lock Cylinders



Length of Mortise Cylinders:

The length of a Baldwin cylinder is the measurement from the back edge of the cylinder cap to the outer surface of the cam as illustrated.

Item Number	C(03) Keyway	Cylinder Length	
8321		1"	(25mm)
8322		1.125"	(29mm)
8323		1.25"	(32mm)
8324		1.375"	(35mm)
8325		1.5"	(38mm)
8326		1.625"	(41mm)
8327		1.75"	(44mm)
8328		2"	(51mm)
8329		2.25"	(57mm)
8330		2.5"	(64mm)

Features: Baldwin 6 pin (5 pin for 1" [25mm]) precision mortise cylinders are made of solid extruded brass. Finish is applied to cap only. When ordered separately, cylinders are supplied with 2 nickel silver keys. Cam 8300.509.STD is furnished. Cams illustrated on page 154 can be ordered at additional charge. Cylinder lengths greater than 1.5" (38mm) are not available for E(05) and F(06) keyway Cylinders.

Keying Requirements: Available in a multitude of keying arrangements including Master, Grand Master and Construction Keying Levels.

Ordering Instructions:

Standard Mortise Cylinder: Specify item number and finish.

Hotel Mortise Cylinder: Specify item number, finish with suffix "H".

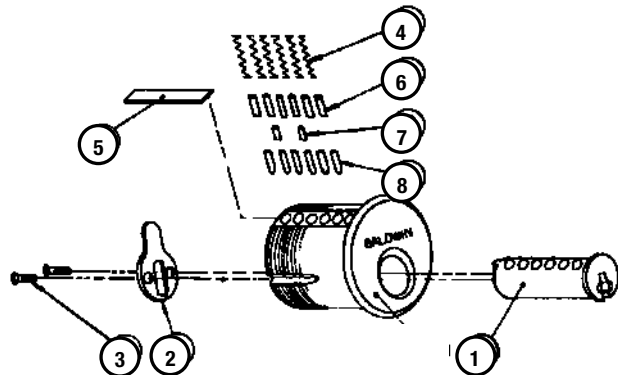
Cylinder price includes all MK charges and standard key bow.

Cylinder is available with 6 pin keying only.

MORTISE LOCKS

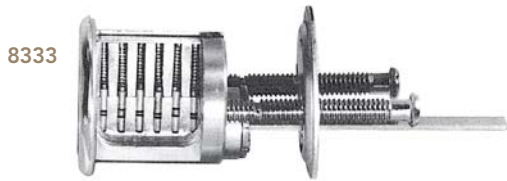
- No. 1** – 8320.XXX.003 – Series cylinder plug. Specify length required and either US4 or 26D finish.
- No. 2** – 8300.509.STD – Cylinder Cam Standard
- No. 3** – 8300.509.004 – Mounting Screws for cam
- No. 4** – 8300.109.005 – Tumbler Springs
- No. 5** – 8300.009.0066 – Spring Covers (6 pin)
- No. 6** – 8320.009.101 – Top Pins (For Bottom Pins #0-#3)
8320.009.102 – Top Pins (For Bottom Pins #4-#6)
8320.009.103 – Top Pins (For Bottom Pins #7-#9)
- No. 7** – 8320.009.202 #2 Master Pins - .0295 (0.749mm)
8320.009.203 #3 Master Pins - .0445 (1.130mm)
8320.009.204 #4 Master Pins - .0595 (1.511mm)
8320.009.205 #5 Master Pins - .0745 (1.892mm)
8320.009.206 #6 Master Pins - .0895 (2.273mm)
8320.009.207 #7 Master Pins - .1045 (2.654mm)
8320.009.208 #8 Master Pins - .1195 (3.035mm)
8320.009.209 #9 Master Pins - .1345 (3.416mm)
- No. 8** – 8320.152.300 #0 Bottom Pins - .1655 (4.204mm)

- 8320.152.301 #1 Bottom Pins - .1805 (4.585mm)
- 8320.152.302 #2 Bottom Pins - .1955 (4.966mm)
- 8320.152.303 #3 Bottom Pins - .2105 (5.347mm)
- 8320.152.304 #4 Bottom Pins - .2255 (5.728mm)
- 8320.152.305 #5 Bottom Pins - .2405 (6.109mm)
- 8320.152.306 #6 Bottom Pins - .2555 (6.489mm)
- 8320.152.307 #7 Bottom Pins - .2705 (6.871mm)
- 8320.152.308 #8 Bottom Pins - .2855 (7.252mm)
- 8320.152.309 #9 Bottom Pins - .3005 (7.633mm)



Rim Lock Cylinders & Tailpiece Bars

003, 031
033, 044, 050, 055
056, 060, 076, 102
112, 190, 260



8333 – C(03) Keyway



Item #	Description	Keyway	Price
8333.xxx	Rim Cylinder	C	\$111
8333.xxx.H	Rim Cylinder	C	\$153

Features: Baldwin 6 pin precision Rim Cylinders are made of solid extruded brass. Finish is applied to cap only. When ordered separately, Cylinders are supplied with 2 nickel silver keys. Tailpiece 8313.329.TPH1 is furnished. C(03) Keyway Cylinders are furnished standard with rim locks unless otherwise specified. Consult price list.

Keying Requirements: Available in a multitude of keying arrangements including Master, Grand Master and Construction Keying Levels.

Cylinder Collar: Cylinder Collars are furnished standard with all keyed rim locks.

Ordering Instructions: Standard Rim Cylinder: Specify item number and finish.

Weight Each: .3 lb. (.14kg)

Tailpiece Bars for Rim Cylinders

Item #	Description	329	Price
8313.329.TPH1	Rim cylinder tailpiece (regular – 2.22")	(329 finish only)	\$12
8313.329.TPH2	Rim cylinder tailpiece (long – 3.1875")	(329 finish only)	\$12

Note: TPH1 supports door thickness between 1 3/4" - 2"
TPH2 supports door thickness between 2 1/4" to 2 1/2"

Rim Cylinder Tailpiece

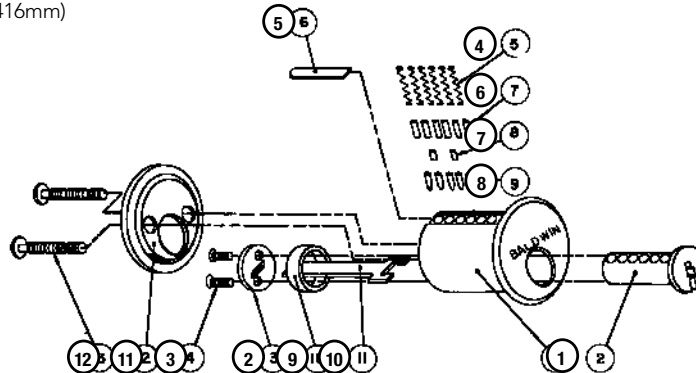


Tailpiece Bars For Rim Cylinders

Horizontal
8313.329.TPH1 – 2.2188" (56mm)
8313.329.TPH2 – 3.1875" (81mm)

- No. 1 –** 8333.XXX.003 – Cylinder plug. Specify either US4 or 26D finish.
- No. 2 –** 8333.009.007 – Tailpiece Plate
- No. 3 –** 8300.509.004 – Mounting Screws for Tailpiece
- No. 4 –** 8300.109.005 – Tumbler Springs
- No. 5 –** 8300.009.0066 – Spring Covers (6 pin)
- No. 6 –** 8320.009.101 – Top Pins (For Bottom Pins #0–#3)
8320.009.102 – Top Pins (For Bottom Pins #4–#6)
8320.009.103 – Top Pins (For Bottom Pins #7–#9)
- No. 7 –** 8320.009.202 #2 Master Pins - .0295 (0.749mm)
8320.009.203 #3 Master Pins - .0445 (1.130mm)
8320.009.204 #4 Master Pins - .0595 (1.511mm)
8320.009.205 #5 Master Pins - .0745 (1.892mm)
8320.009.206 #6 Master Pins - .0895 (2.273mm)
8320.009.207 #7 Master Pins - .1045 (2.654mm)
8320.009.208 #8 Master Pins - .1195 (3.035mm)
8320.009.209 #9 Master Pins - .1345 (3.416mm)

- No. 8 –** 8320.152.300 #0 Bottom Pins - .1655 (4.204mm)
8320.152.301 #1 Bottom Pins - .1805 (4.585mm)
8320.152.302 #2 Bottom Pins - .1955 (4.966mm)
8320.152.303 #3 Bottom Pins - .2105 (5.347mm)
8320.152.304 #4 Bottom Pins - .2255 (5.728mm)
8320.152.305 #5 Bottom Pins - .2405 (6.109mm)
8320.152.306 #6 Bottom Pins - .2555 (6.489mm)
8320.152.307 #7 Bottom Pins - .2705 (6.871mm)
8320.152.308 #8 Bottom Pins - .2855 (7.252mm)
8320.152.309 #9 Bottom Pins - .3005 (7.633mm)
- No. 9 –** 8333.009.010 Spacer
- No. 10 –** 8313.329.TPH1 Tailpiece – Horizontal (Regular)
8313.329.TPH2 Tailpiece – Horizontal (Long)
- No. 11 –** 8313.509.008 Mounting Plate
- No. 12 –** 8313.509.009 Mounting Screws



*Cylinders NOT available in Distressed finishes, non-distressed equivalents 402=102, 452=152

MORTISE LOCKS

Key Blanks

			Price				
K	8335.152	5-pin standard key blank, C (03) keyway, 50/box	\$5	K	8357.152	6-pin hotel large bow (2') key blank E (05) keyway	\$15
K	8335.152.CK	Construction key	\$13	K	8357.152.CK	Construction key	\$13
K	8335.152.CUTK	Cut keys ordered separately	\$17	K	8357.152.CUTK	Cut keys ordered separately	\$17
K	8335.152.DK	Display keys	\$35	K	8357.152.DK	Display keys	\$35
K	8335.152.EK	Emergency keys	\$35	K	8357.152.EK	Emergency keys	\$35
K	8335.152.GGGM	Great great grand master keys	\$35	K	8357.152.GGGM	Great great grand master keys	\$35
K	8335.152.GGMK	Great grand master keys	\$35	K	8357.152.GGMK	Great grand master keys	\$35
K	8335.152.GMK	Grand master keys	\$35	K	8357.152.GMK	Grand master keys	\$35
K	8335.152.MK	Master keys	\$35	K	8357.152.HOTL	Hotel key bow	\$14
K	8335.152.SKD	Single keyed different	\$35	K	8357.152.MK	Master keys	\$35
K	8335.152.SOK	Shut out keys	\$35	K	8357.152.SKD	Single keyed different	\$35
K	8335.152.XTRAKK	Extra Key Cut	\$13	K	8357.152.SOK	Shut out keys	\$35
<hr/>				<hr/>			
K	8336.152	6-pin key blank, C (03) keyway, 50/box	\$5	K	8375.152	5-pin key blank, E (06) keyway, 50/box	\$7
K	8336.152.CK	Construction key	\$13	K	8375.152.CK	Construction key	\$13
K	8336.152.CUTK	Cut keys ordered separately	\$17	K	8375.152.CUTK	Cut keys ordered separately	\$17
K	8336.152.DK	Display keys	\$35	K	8375.152.DK	Display keys	\$35
K	8336.152.EK	Emergency keys	\$35	K	8375.152.EK	Emergency keys	\$35
K	8336.152.GGGM	Great great grand master keys	\$35	K	8375.152.GGGM	Great great grand master keys	\$35
K	8336.152.GGMK	Great grand master keys	\$35	K	8375.152.GGMK	Great grand master keys	\$35
K	8336.152.GMK	Grand master keys	\$35	K	8375.152.GMK	Grand master keys	\$35
K	8336.152.MK	Master keys	\$35	K	8375.152.MK	Master keys	\$35
K	8336.152.SKD	Single keyed different	\$35	K	8375.152.SKD	Single keyed different	\$35
K	8336.152.SOK	Shut out keys	\$35	K	8375.152.SOK	Shut out keys	\$35
K	8336.152.XTRAKK	Extra Key Cut	\$13	<hr/>			
<hr/>				K	8376.152	6-pin key blank, F (06) keyway, 50/box	\$7
K	8337.152	6-pin hotel large bow (2') key blank C (03) keyway	\$15	K	8376.152.CK	Construction key	\$13
K	8337.152.CK	Construction key	\$13	K	8376.152.CUTK	Cut keys ordered separately	\$17
K	8337.152.CUTK	Cut keys ordered separately	\$17	K	8376.152.DK	Display keys	\$35
K	8337.152.DK	Display keys	\$35	K	8376.152.EK	Emergency keys	\$35
K	8337.152.EK	Emergency keys	\$35	K	8376.152.GGGM	Great great grand master keys	\$35
K	8337.152.GGGM	Great great grand master keys	\$35	K	8376.152.GGMK	Great grand master keys	\$35
K	8337.152.GGMK	Great grand master keys	\$35	K	8376.152.GMK	Grand master keys	\$35
K	8337.152.GMK	Grand master keys	\$35	K	8376.152.MK	Master keys	\$35
K	8337.152.HOTL	Hotel key bow	\$14	K	8376.152.SKD	Single keyed different	\$35
K	8337.152.MK	Master keys	\$35	K	8376.152.SOK	Shut out Keys	\$35
K	8337.152.SKD	Single keyed different	\$35	<hr/>			
K	8337.152.SOK	Shut out keys	\$35	K	8377.152	6-pin hotel large bow (2') key blank F (06) keyway	\$15
<hr/>				K	8377.152.CK	Construction key	\$13
K	8355.152	5-pin standard key blank, E (05) keyway, 50/box	\$7	K	8377.152.CUTK	Cut keys ordered separately	\$17
K	8355.152.CK	Construction key	\$13	K	8377.152.DK	Display keys	\$35
K	8355.152.CUTK	Cut keys ordered separately	\$17	K	8377.152.EK	Emergency keys	\$35
K	8355.152.DK	Display keys	\$35	K	8377.152.GGGM	Great great grand master keys	\$35
K	8355.152.EK	Emergency keys	\$35	K	8377.152.GGGMK	Great grand master keys	\$35
K	8355.152.GGGM	Great great grand master keys	\$35	K	8377.152.GMK	Grand master keys	\$35
K	8355.152.GGMK	Great grand master keys	\$35	K	8377.152.HOTL	Hotel keys bow	\$14
K	8355.152.GMK	Grand master keys	\$35	K	8377.152.MK	Master keys	\$35
K	8355.152.MK	Master keys	\$35	K	8377.152.SKD	Single keyed different	\$35
K	8355.152.SKD	Single keyed different	\$35	K	8377.152.SOK	Shut out keys	\$35
K	8355.152.SOK	Shut out keys	\$35	<hr/>			
<hr/>				*Per cylinder master keying charge			
<hr/>				*Per cylinder construction keying charge			
<hr/>				*NOTE: 2 Keys provided per cylinder.			
<hr/>				*NOTE: 152 finish in cylinders, locks, and latches is Antique Nickel with matte lacquer.			
<hr/>				<hr/>			
K	8356.152	6-pin key blank, E (05) keyway, 50/box	\$7				
K	8356.152.CK	Construction key	\$13				
K	8356.152.CUTK	Cut keys ordered separately	\$17				
K	8356.152.DK	Display keys	\$35				
K	8356.152.EK	Emergency keys	\$35				
K	8356.152.GGGM	Great great grand master keys	\$35				
K	8356.152.GGMK	Great grand master keys	\$35				
K	8356.152.GMK	Grand master keys	\$35				
K	8356.152.MK	Master keys	\$35				
K	8356.152.SKD	Single keyed different	\$35				
K	8356.152.SOK	Shut out keys	\$35				

MORTISE LOCKS

					Price
1B	8490.000.002	No. 10-24 × 3" OH PH MS × 260	Extra long trim thru-bolts	10 ea	\$16
1C	8490.000.003	No. 10-24 × 3" OH PH MS × 030	Extra long trim thru-bolts	10 ea	\$16
2A	8490.000.004	No. 10 × 1" FH PH UC WS × 030	Hinge screws	100 ea	\$57
2B	8490.000.005	No. 12 × 1.25" FH PH UC WS × 030	Hinge screws	100 ea	\$64
3A	8490.000.006	No. 10-24 × .5" FH PH MS × 030	Hinge screws	100 ea	\$65
3B	8490.000.007	No. 12-24 × .5" FH PH MS × 030	Hinge screws	100 ea	\$45
4B	8490.000.010	No. 6 × .625" OH PH SMS × 040	Kick plate screws	200 ea	\$74
8A	8490.000.019	No. 8-32 Combination WS/MS	Bread board screws for cabinet knobs	25 ea	\$77
8B	8490.000.020	No. 6-32 × .375" OH SL MS	Switch plate screws	50 ea	\$25
8D	8490.000.022	No. 8 × .75" FH PH WS	Latch/strike/DM backplate screws	50 ea	\$23
8B	8490.000.023	No. 8 × .375" FH PH SMS	Screws for No. 5097 backplate	100 ea	\$34
9A	8490.000.024	No. 12 × 1" FH PH Comb	Mortise lock screws	50 ea	\$19
9B	8490.000.025	No. 4 × .75" RD SL WS × 040	Lock trim/house number screws	50 ea	\$19
9C	8490.000.026	No. 5 × .625" FH SL WS × 040	Lock trim screws	50 ea	\$46
10A	8490.000.027	No. 6 × .5" OH SL WS × 040	Lock trim screws	100 ea	\$47
10B	8490.000.028	No. 8 × .875" OH PH WS × 040	Lock trim screws	100 ea	\$42
10C	8490.000.029	No. 10 × 2" OH SL WS × 030	Lock trim screws	20 ea	\$39
11C	8490.000.032	No. 8-32 × .218" FH PH UC MS × 030	Lock trim screws	20 ea	\$10
11D	8490.000.033	No. 8-32 × .218" FH PH UC MS × 260	Lock trim screws	20 ea	\$10
11E	8490.000.034	No. 8-32 × .218" FH PH UC MS × 102	Lock trim screws	20 ea	\$10
12A	8490.000.035	No. 10-24 × 2.125" OH PH MS × 030	Trim thru-bolts	20 ea	\$14
13A	8490.000.037	No. .25-20 UNC × .25"	Socket set screws #0561	200 ea	\$123
14A	8490.000.038	No. 8-32 × .5" FH PH MS	Installation plate screws	100 ea	\$54
14B	8490.000.039	No. 6-32 × .25" PAN SL MS	Lock front beveling screws	20 ea	\$10
15A	8490.000.041	Complete yoke assembly	For 2.75" backset locks	2 ea	\$19
15B	8490.000.042	Complete yoke assembly	For 2.5" backset locks	2 ea	\$19
16A	8490.000.043	Stop ball	For all mortise locks	10 ea	\$10
16B	8490.000.044	Stop spring	For all mortise locks	10 ea	\$10
17A	8490.000.045	Turn hub spring	For 2.75" backset mortise locks	5 ea	\$10
18A	8490.000.047	Latch spring	For 2.75" backset locks	5 ea	\$10
18B	8490.000.048	Lift lever spring	For 2.75" backset handleset functions	5 ea	\$10
19A	8490.000.049	Anti-friction hinge pin	All locks with anti-friction latch	10 ea	\$6
19B	8490.000.050	Wear washer	For 2.5" & 2.75" B.S. emergency egress locks	10 ea	\$6
20B	8490.000.052	Hub lever spring	For 2.5" backset locks	5 ea	\$10
21A	8490.000.053	Lift lever spring	For 2.5" backset handleset functions	5 ea	\$10
21B	8490.000.054	Latch spring	For 2.5" backset locks	5 ea	\$10
22A	8490.000.055	Turn hub spring	For 1.5" & 2.0" backset locks	5 ea	\$10
22B	8490.000.056	Hub lever spring	For 1.5" & 2.0" backset locks	5 ea	\$10
24B	8490.000.060	Cylinder yoke	For 1.5" & 2.0" backset locks	2 ea	\$10
25A	8490.000.061	Cylinder set screw	For 1.5" backset locks	2 ea	\$6
25B	8490.000.062	Cylinder set screw	For 2.0" backset locks	2 ea	\$10

8472.000.001

Cylinder Plug Follower



8472.000.002

Tweezers



8472.000.003

Depth Key Set



8480.000

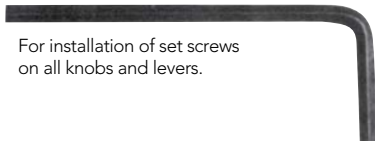
Aligning Tool



For use in proper alignment of knobs, levers, roses and escutcheon with mortise locks/tubular latches.

8481.509.01105

Allen Wrench



For installation of set screws on all knobs and levers.

8484.000

Lock Reversing Block



FEATURES: Provides means to align and secure mortise locks to facilitate reversing of handed internal parts.

PACKED: One in a box.

WEIGHT PER BOX: .9 lb. (.41kg)

Item #	Description	Price
6707.009	Cylinder reinforcing plug	\$12
8472.000.001	Cylinder plug follower included with keying kits	\$15
8472.000.002	Tweezers for gripping cylinder pins included w/8472 kit	\$20
8472.000.003	Depth key set, furnished with 10 keys (0 thru 9 depths)	\$20
8474.000	Alignment bushing (Bag of 50)	\$22
8480.000	Aligning tool. Used to align back plates & escutcheons w/locks	\$17
8481.509.01105	1/8" allen wrench used to tighten set screws	\$17
8484.000	Lock reversing block. Simplifies changing hand of mortise locks	\$23 NET

Keying Kits

Item #	Description	Finish	Price
8471.000	Small keying kit for keying (C) cylinders alike	000	\$153
8472.000	Large keying kit for all (C) keying applications inc. master keying	000	\$714
8320.009.101	#1 top pins (100 each per pack)	009	\$35
8320.009.102	#2 top pins (100 each per pack)	009	\$35
8320.009.103	#3 top pins (100 each per pack)	009	\$35
8320.009.202	#2 master pins (100 each per pack)	009	\$35
8320.009.203	#3 master pins (100 each per pack)	009	\$35
8320.009.204	#4 master pins (100 each per pack)	009	\$35
8320.009.205	#5 master pins (100 each per pack)	009	\$35
8320.009.206	#6 master pins (100 each per pack)	009	\$35
8320.009.207	#7 master pins (100 each per pack)	009	\$35
8320.009.208	#8 master pins (100 each per pack)	009	\$35
8320.009.209	#9 master pins (100 each per pack)	009	\$35
8320.152.300	#0 bottom pins (100 each per pack)	152	\$35
8320.152.301	#1 bottom pins (100 each per pack)	152	\$35
8320.152.302	#2 bottom pins (100 each per pack)	152	\$35
8320.152.303	#3 bottom pins (100 each per pack)	152	\$35
8320.152.304	#4 bottom pins (100 each per pack)	152	\$35
8320.152.305	#5 bottom pins (100 each per pack)	152	\$35
8320.152.306	#6 bottom pins (100 each per pack)	152	\$35
8320.152.307	#7 bottom pins (100 each per pack)	152	\$35
8320.152.308	#8 bottom pins (100 each per pack)	152	\$35
8320.152.309	#9 bottom pins (100 each per pack)	152	\$35
8300.109.005	Tumbler springs	109	\$39
8300.009.0066	Spring covers (6-Pin)	009	\$39
8300.509.STD	Standard cams	509	\$12
8300.509.AR	Adams rite cams	509	\$12
8300.509.004	Cam mounting screws (100 EA per box)	509	\$46
8313.329.TPH1	Tailpiece (regular) for rim lock cylinders	329	\$12
8313.329.TPH2	Tailpiece (long) for rim lock cylinders	329	\$12
8313.509.008	Mounting plate	509	\$4
8313.509.009	Mounting screws	509	\$4
8333.009.007	Tailpiece plate	009	\$7
8333.009.010	Spacer	009	\$7
8472.000.001	Cylinder plug follower	000	\$57
8011.028.0025	Washer	028	\$4
8011.039.0027	Cap	039	\$5
8053.028.TP1	Tailpiece - double cylinder	028	\$4
8053.028.TP2	Tailpiece - emergency exit	028	\$4
8053.028.TP3*	Tailpiece - single cylinder for 1 3/8" door thickness	028	\$4
8053.028.TP4	Tailpiece - single cylinder for 1 3/4" door thickness	028	\$4
8475.000.001	Cap tool	000	\$7
8472.000.004	Shim	000	\$3
8011.039.0023	Pins	039	\$3
8011.109.0022	Springs	109	\$3
8472.000.006	Key gauge	000	\$17
8472.000.002	Tweezers	000	\$57
9940.000.A	Finish demonstrator	000	\$51 NET

*NOTE: 8053.028.TP3 Tailpiece for doors 1 3/8" thick is not supplied as a standard component of the kit but can be ordered separately.

MORTISE LOCKS



SLIDING
DOOR LOCKS



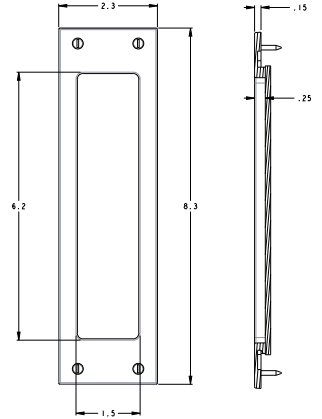
New Surface Mounted Design

003, 031, 033, 044
050, 055, 056, 060,
076 102, 112,
190, 260, 402



Item #	Description		
SET*	PD005.xxx.ENTR	Entry set with 2.5" backset lock*	Set \$814
	PD005.xxx.PRIV	Privacy set with 2.5" backset lock	Set \$814
	PD005.xxx.PASS	Passage/dummy set with pull	Set \$724
	PD005.xxx.FD	Dummy set for double doors	Set \$765
TRIM	PD005.xxx.PS	Passage Trim - Pair	Pair \$293
	PD005.xxx.iPS	Passage Trim - half pair	Each \$146
	PD005.xxx.KE	Trim with Emergency Release (KE)	Each \$146
	PD005.xxx.KC	Trim Cut for Cylinder (KC)	Each \$146
	PD005.xxx.KT	Interior Trim with Turn Knob (KT)	Each \$195

*Entry set excludes cylinder



Minimum Door Thickness: 1.375"



Sets	PD005.xxx.PRIV	PD005.xxx.PASS
Exterior Trim	PD005.xxx.KE	PD005.xxx.iPS
Interior Trim	PD005.xxx.KT	PD005.xxx.iPS
Cylinder	N/A	N/A
Mortise Lock	8632.xxx	8601.xxx



Designer	Privacy	Passage	Entry	Double Door Inactive (Order Privacy for Active Side)
Exterior Trim	PD005.xxx.KE	PD005.xxx.iPS	PD005.xxx.KC	PD005.xxx.iPS
Interior Trim	PD006.xxx.KT	PD007.xxx.iPS	PD006.xxx.KT	PD005.xxx.iPS
Cylinder	N/A	N/A	8320.xxx.EMHT (1.75" door thickness*)	N/A
Mortise Lock	8632.xxx	8601.xxx	8632.xxx	8603.xxx

*See page 175 for pocket door cylinder table.

SLIDING DOOR
LOCKS

*QUICK SHIP is available in functions and finishes shown in red.



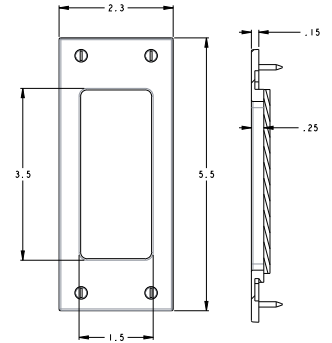
New Surface Mounted Design

003, 031, 033, 044
050, 055, 056, 060, 076
102, 112, 190
260, 402



Item #	Description		
SET*	PD006.xxx.ENTR	Entry set with 2.5" backset lock*	Set \$760
	PD006.xxx.PRIV	Privacy set with 2.5" backset lock	Set \$760
	PD006.xxx.PASS	Passage/dummy set with pull	Set \$668
	PD006.xxx.FD	Dummy set for double doors	Set \$710
TRIM	PD006.xxx.PS	Passage Trim - Pair	Pair \$237
	PD006.xxx.iPS	Passage Trim - half pair	Each \$118
	PD006.xxx.KE	Trim with Emergency Release (KE)	Each \$118
	PD006.xxx.KC	Trim Cut for Cylinder (KC)	Each \$118
	PD006.xxx.KT	Interior Trim with Turn Knob (KT)	Each \$167

*Entry set excludes cylinder



Minimum Door Thickness: 1.375"



Sets	PD006.xxx.PRIV	PD006.xxx.PASS
Exterior Trim	PD006.xxx.KE	PD006.xxx.iPS
Interior Trim	PD006.xxx.KT	PD006.xxx.iPS
Cylinder	N/A	N/A
Mortise Lock	8632.xxx	8601.xxx



Designer	Privacy	Passage	Entry	Double Door Inactive (Order Privacy for Active Side)
Exterior Trim	PD006.xxx.KE	PD006.xxx.iPS	PD006.xxx.KC	PD006.xxx.iPS
Interior Trim	PD006.xxx.KT	PD016.xxx.iPS	PD007.xxx.KT	PD006.xxx.iPS
Cylinder	N/A	N/A	8320.xxx.EMHT (1.75" door thickness*)	N/A
Mortise Lock	8632.xxx	8601.xxx	8632.xxx	8603.xxx

*See page 186 for pocket door cylinder table.

*QUICK SHIP is available in functions and finishes shown in red.

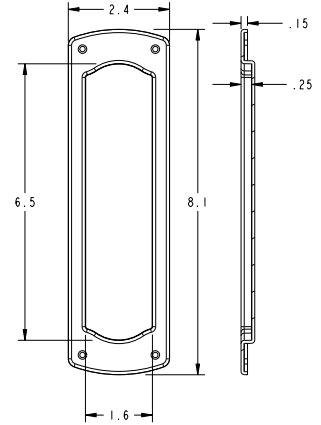


003, 031, 033
044, 050, 055, 056
060, 076, 102, 112,
190, 260, 402



	Item #	Description		
SET*	PD007.xxx.ENTR	Entry set with 2.5" backset lock*	Set	\$760
	PD007.xxx.PRIV	Privacy set with 2.5" backset lock	Set	\$760
	PD007.xxx.PASS	Passage/dummy set with pull	Set	\$668
	PD007.xxx.FD	Dummy set for double doors	Set	\$710
TRIM	PD007.xxx.PS	Passage Trim - Pair	Pair	\$237
	PD007.xxx.iPS	Passage Trim - half pair	Each	\$118
	PD007.xxx.KE	Trim with Emergency Release (KE)	Each	\$118
	PD007.xxx.KC	Trim Cut for Cylinder (KC)	Each	\$118
	PD007.xxx.KT	Interior Trim with Turn Knob (KT)	Each	\$167

*Entry set excludes cylinder



Minimum Door Thickness: 1.375"



Sets

	PD007.xxx.PRIV	PD007.xxx.PASS
Exterior Trim	PD007.xxx.KE	PD007.xxx.iPS
Interior Trim	PD007.xxx.KT	PD007.xxx.iPS
Cylinder	N/A	N/A
Mortise Lock	8632.xxx	8601.xxx



Designer	Privacy	Passage	Entry	Double Door Inactive (Order Privacy for Active Side)
Exterior Trim	PD007.xxx.KE	PD007.xxx.iPS	PD007.xxx.KC	PD007.xxx.iPS
Interior Trim	PD007.XXX.KT	PD007.xxx.iPS	PD007.xxx.KT	PD007.xxx.iPS
Cylinder	N/A	N/A	8320.xxx.EMHT (1.75" door thickness*)	N/A
Mortise Lock	8632.xxx	8601.xxx	8632.xxx	8603.xxx

*See page 186 for pocket door cylinder table.

*QUICK SHIP is available in functions and finishes shown in red.

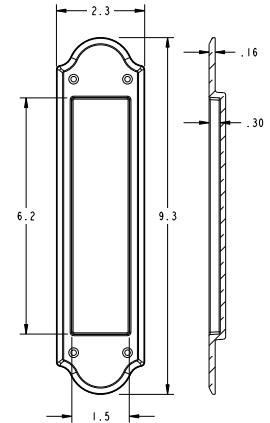


003, 031, 033
044, 050, 055, 056
060, 076, 102, 112,
190, 260, 402



Item #	Description		
SET*	PD016.xxx.ENTR	Entry set with 2.5" backset lock*	Set \$787
	PD016.xxx.PRIV	Privacy set with 2.5" backset lock	Set \$787
	PD016.xxx.PASS	Passage/dummy set with pull	Set \$696
	PD016.xxx.FD	Dummy set for double doors	Set \$739
	PD016.xxx.PS	Passage Trim - Pair	Pair \$264
TRIM	PD016.xxx.iPS	Passage Trim - half pair	Each \$134
	PD016.xxx.KE	Trim with Emergency Release (KE)	Each \$134
	PD016.xxx.KC	Trim Cut for Cylinder (KC)	Each \$134
	PD016.xxx.KT	interior Trim with Turn Knob (KT)	Each \$182

*Entry set excludes cylinder



Minimum Door Thickness: 1.75"

SLIDING DOOR
LOCKS



Sets	PD016.xxx.PRIV	PD006.xxx.PASS
Exterior Trim	PD016.xxx.KE	PD016.xxx.iPS
Interior Trim	PD016.xxx.KT	PD016.xxx.iPS
Cylinder	N/A	N/A
Mortise Lock	8632.xxx	8601.xxx



Designer	Privacy	Passage	Entry	Double Door Inactive (Order Privacy for Active Side)
Exterior Trim	PD016.xxx.KE	PD016.xxx.iPS	PD016.xxx.KC	PD016.xxx.iPS
Interior Trim	PD006.xxx.KT	PD005.xxx.iPS	PD007.xxx.KT	PD016.xxx.iPS
Cylinder	N/A	N/A	8320.xxx.EMHT (1.75" door thickness*)	N/A
Mortise Lock	8632.xxx	8601.xxx	8632.xxx	8603.xxx

*See page 186 for pocket door cylinder table.

SPECIFICATIONS

Standardized heavy steel case is smooth, easy to mortise, and assures snug and solid fit in door mortise. Vital interior working parts are made of solid hot forged brass or steel for a lifetime of trouble-free operation. All lock cases are constructed of heavy gauge steel (.093-2.4 mm) material and plated with a protective rust-resistant coating to retard oxidation.

FACEPLATE: Wrought brass, available in standard finishes.

DEADBOLT: 8602 and 8632 locks are equipped with a 1" (25mm) throw deadbolt with steel inserts that engage strike. Furnished in US4 and 26D finishes depending on faceplate finish.

PULL: All locks are equipped with a 1.25" (32mm) throw pull. Pull is thrown by push button on lock front. Furnished in US4 and 26D finishes to match trim.

TURN HUB: 8602 and 8632 locks include turn hub with .19" (5mm) hole broached on the diamond.

SPACING: Center to center of Turn Hub to Cylinder 1.187" (30mm).

CYLINDER: Emhart mortise type with 03 keyway and two silver nickel keys. Cylinder is not supplied with lock and should be ordered with suffix ".EMHT" added to the end of the Item # (same price as standard C keyway cylinders).

KEYING: All levels of Keying, including Construction Keying, are available.

STRIKE: Wrought brass finished to match. Included with 8602 and 8632 locks only. 8603 lock is spring-loaded strike combined with pull (for double door applications).

TEMPLATE: Provided along with install instructions with all locks. Face cutouts are subject to variation. Always review trim requirements before door preparation.



Pocket door pull

003, 031, 033, 044, 050
055, 056, 060, 076, 102
112, 190, 260

Item #	Description		
8601.xxx	Pocket Door Pull	For Passage & Dummy Functions, included on PASS sets	\$402
8602.xxx	Pocket Door Lock with Pull	For Privacy and Entry Functions, (2.75" backset)	\$444
8603.xxx	Pocket Door Strike with Pull	For Dummy Side of Double Door, included in dummy for double door application (FD) functions. Requires privacy or entry function lock for active door.	\$444
8632.xxx	Pocket Door Lock with Pull	For Privacy and Entry Functions, (2.5" backset)	\$444

Mortise Locks are NOT available in 402 Distressed Finish, non-distressed equivalent 402=102
Pocket Door Pull locks come with 7/8" fronts; all other pocket door locks comes with 1" fronts

003, 031, 033, 044, 050
055, 056, 060, 076, 102
112, 190, 260

Item #	Description		
8320.xxx.EMHT	.75" (4 pin)	Mortise Cylinder	\$82
8321.xxx.EMHT	1"	Mortise Cylinder	\$82
8322.xxx.EMHT	1.125"	Mortise Cylinder	\$82
8323.xxx.EMHT	1.25"	Mortise Cylinder	\$82

Mortise Locks are NOT available in 402 Distressed Finish, non-distressed equivalent 402=102



Pocket door lock with pull

SINGLE CYLINDER C KEYWAY		Door Thickness		1.375"		1.5"		1.75"		2"		2.25"		2.5"	
Trim Style Name	Trim Style #	Cylinder Length	Blocking Ring	Cylinder Length	Blocking Ring	Cylinder Length	Blocking Ring	Cylinder Length	Blocking Ring	Cylinder Length	Blocking Ring	Cylinder Length	Blocking Ring	Cylinder Length	Blocking Ring
Large Santa Monica	PD005	-	-	.75" 8320.xxx. EMHT	-	.75" 8320.xxx. EMHT	-	.75" 8320.xxx. EMHT	-	1" 8321.xxx. EMHT	-	1" 8321.xxx. EMHT	-	1" 8321.xxx. EMHT	-
Small Santa Monica	PD006	.75" 8320.xxx. EMHT	-	.75" 8320.xxx. EMHT	-	.75" 8320.xxx. EMHT	-	.75" 8320.xxx. EMHT	-	1" 8321.xxx. EMHT	-	1" 8321.xxx. EMHT	-	1" 8321.xxx. EMHT	-
Palo Alto	PD007	-	-	.75" 8320.xxx. EMHT	-	.75" 8320.xxx. EMHT	-	.75" 8320.xxx. EMHT	-	1" 8321.xxx. EMHT	-	1" 8321.xxx. EMHT	-	1" 8321.xxx. EMHT	-
Boulder	PD016	-	-	-	-	.75" 8320.xxx. EMHT	-	.75" 8320.xxx. EMHT	-	1" 8321.xxx. EMHT	-	1" 8321.xxx. EMHT	-	1" 8321.xxx. EMHT	-



Pocket door strike with pull

DOUBLE CYLINDER C KEYWAY		Door Thickness		1.375"		1.5"		1.75"		2"		2.25"		2.5"	
Trim Style Name	Trim Style #	Cylinder Length	Blocking Ring	Cylinder Length	Blocking Ring	Cylinder Length	Blocking Ring	Cylinder Length	Blocking Ring	Cylinder Length	Blocking Ring	Cylinder Length	Blocking Ring	Cylinder Length	Blocking Ring
Large Santa Monica	PD005	-	-	-	-	.75" 8320.xxx. EMHT	.0625" 8440.xxx. 001	.75" 8320.xxx. EMHT*	-	1" 8321.xxx. EMHT	.0625" 8440.xxx. 001	1" 8321.xxx. EMHT	-	1" 8321.xxx. EMHT	-
Small Santa Monica	PD006	-	-	-	-	.75" 8320.xxx. EMHT	.0625" 8440.xxx. 001	.75" 8320.xxx. EMHT*	-	1" 8321.xxx. EMHT	.0625" 8440.xxx. 001	1" 8321.xxx. EMHT	-	1" 8321.xxx. EMHT	-
Palo Alto	PD007	-	-	-	-	.75" 8320.xxx. EMHT	.0625" 8440.xxx. 002	.75" 8320.xxx. EMHT*	-	1" 8321.xxx. EMHT	.0937" 8440.xxx. 002	1" 8321.xxx. EMHT	-	1" 8321.xxx. EMHT	-
Boulder	PD016	-	-	-	-	.75" 8320.xxx. EMHT	.0625" 8440.xxx. 002	.75" 8320.xxx. EMHT*	-	1" 8321.xxx. EMHT	.0937" 8440.xxx. 002	1" 8321.xxx. EMHT	-	1" 8321.xxx. EMHT	-

SLIDING DOOR LOCKS



MULTI-POINT



Bristol – MP009



Santa Monica – MP005



Lakeshore – MP013



Bismark – MP002



Boulder – MP016



Concord – MP004



Kensington – MP003



Watch for this icon as your quick guide to coordinating Baldwin lock hardware throughout your home. Your favorite Baldwin styles are now available in Mortise for entrance needs, Tubular for entrance/interiors, AND Multi-Point for patio doors!

- FITS 92 AND 105 MM CYLINDER TO LEVER C.T.C.
- ESTATE COLLECTION FINISH OPTIONS TO SUIT ANY HOME.
- PROFILE OR AMERICAN CYLINDER.
- AVAILABLE AS COMPLETE SETS, MINUS LEVER SETS, OR CHOOSE YOUR OWN LEVER STYLE TO BUILD A SET.
- EASY INSTALLATION WITH ONE-BOX SHIPPING AND CYLINDER/HARDWARE FOR 1.75" THICK DOOR.
- THROUGH-BOLT MOUNTING.
- THICK DOOR KITS AVAILABLE.
- ALL PROFILE AND AMERICAN CYLINDERS ARE FIELD KEYABLE TO BALDWIN KEYWAY.
- 112 FINISH NOW AVAILABLE FOR ALL PROFILE CYLINDERS

MULTI-POINT

PROFILE CYLINDERS

RECOMMENDED FINISHES	ORIGINAL FINISHES
040	003, 031, 033, 060, 044, 050
112	102, 190, 402, 112
264	055, 056, 076, 260

AMERICAN CYLINDERS

RECOMMENDED FINISHES	ORIGINAL FINISHES
040	003, 031, 033, 044, 050, 060, 102, 112, 190, 402,
264	055, 056, 076, 260

STEP 1

PICK YOUR MULTI-POINT TRIM

EXAMPLE # MP004 . xxx . xxxx

Trim Code	Description
MP002	Bismark Multi-Point Trim
MP003	Kensington Multi-Point Trim
MP004	Concord Multi-Point Trim
MP005	Santa Monica Multi-Point Trim
MP009	Bristol Multi-Point Trim
MP013	Lakeshore Multi-Point Trim
MP016	Boulder Multi-Point Trim

STEP 2

CHOOSE YOUR DOOR CONFIGURATION

EXAMPLE # MP004 . xxx . xxxx1

Configuration #	Description	Measurement	Page
Configuration 1	Profile Cylinder Below Handle	92mm CTC, 8.5" Mounting Hole CTC	195
Configuration 2	American Cylinder Above Handle	105mm CTC, 8.5" Mounting Hole CTC	197
Configuration 3	American Cylinder Below Handle	92mm CTC, 8.375" Mounting Hole CTC	199
Configuration 4	Profile Cylinder Below Handle	92mm CTC, 7.875" Mounting Hole CTC	201
Configuration 5	American Cylinder Above or Below Handle	92mm CTC, 7.5625" Mounting Hole CTC	203
Configuration 6	American Cylinder Above Handle	92mm CTC, 7.25" Mounting Hole CTC	205

STEP 3

CHOOSE YOUR FUNCTION

EXAMPLE # MP004 . xxx . ACT

Function Code	Description
ACT	Entry, keyed w/ turnknob (supplied w/ cylinder for 1 3/4" door thickness)
FDP	Passage, active, no cylinder or turnknob
AIN	Inactive outside and active inside- non-keyed
FD	Inactive, non-keyed
PAT	Patio, non-keyed

STEP 4

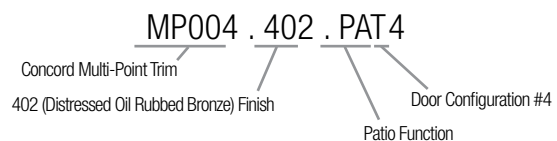
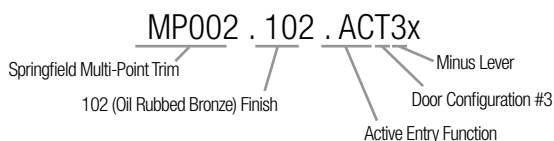
SPECIFY MINUS LEVER OPTION, IF DESIRED:

EXAMPLE # MP004 . xxx . ACTx

Add "x" to suffix for minus lever option.
Otherwise trim ships with stock lever choice as shown.

NOTE: Must use specialty multi point screws included in trim box (1336.013.05105).

Examples:



STEP 5

IF A LEVER OTHER THAN THE STANDARD IS DESIRED

Order a trim without levers and order levers separately.

STEP 6

IF SPLIT FINISH

Order escutcheons, levers, and corresponding thick door kits separately.

STEP 1

PICK YOUR MULTI-POINT TRIM

EXAMPLE # MP004 . XXX . XXXX

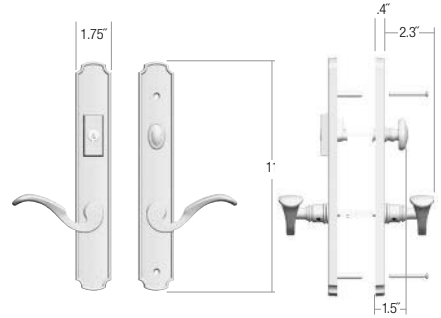
**MULTI-POINT
TIER 1**

Bismark – MP002
5152 Lever included

Profile Cylinder
Below Handle



American Cylinder
Above & Below

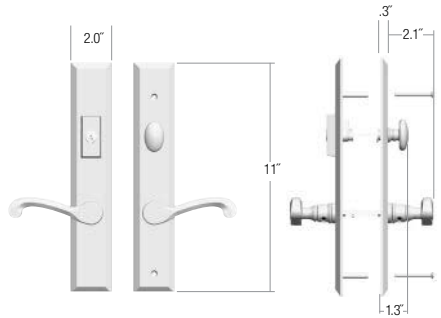


Concord – MP004
5445 Lever included

Profile Cylinder
Below Handle



American Cylinder
Above & Below

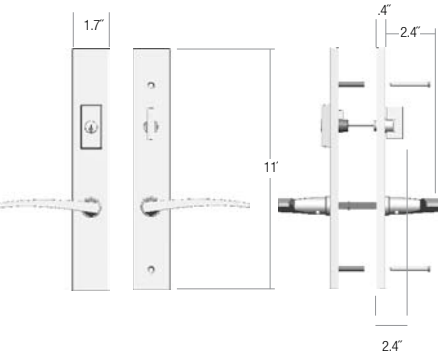


Santa Monica – MP005
L022 Lever included

Profile Cylinder
Below Handle



American Cylinder
Above & Below

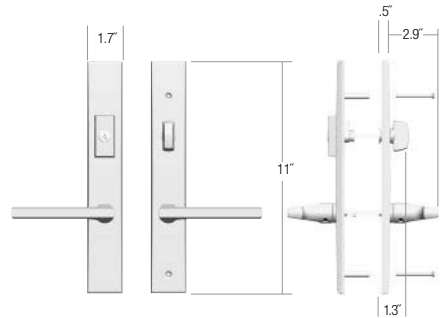


Lakeshore – MP013
5162 Lever included

Profile Cylinder
Below Handle



American Cylinder
Above & Below



MULTI-POINT

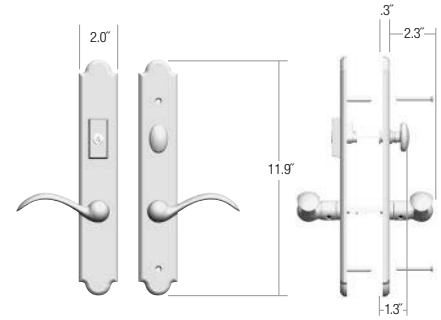
Boulder – MP016

5452 Lever included

Profile Cylinder
Below Handle



American Cylinder
Above & Below



MULTI-POINT
TIER 2

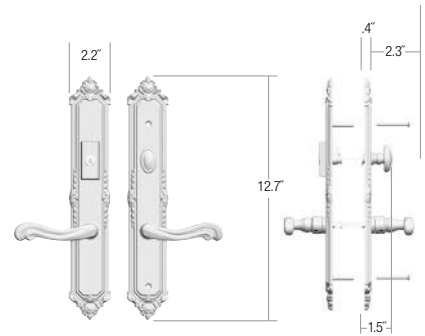
Kensington – MP003

5108 Lever included

Profile Cylinder
Below Handle



American Cylinder
Above & Below



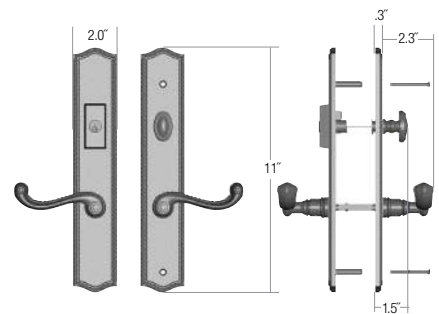
Bristol – MP009

5104 Lever included

Profile Cylinder
Below Handle



American Cylinder
Above & Below



STEP 1

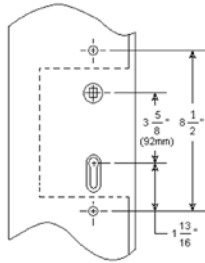
PICK YOUR MULTI-POINT TRIM

EXAMPLE # **MP004** . xxx . xxxx

STEP 2

CHOOSE YOUR DOOR CONFIGURATION

EXAMPLE # MP004 . xxx . xxxxx**1**



Configuration #	Description
Configuration 1	Profile Cylinder Below Handle — 3 5/8" (92 mm) center to center 8 1/2" center to center mounting hole location

STEP 3

CHOOSE YOUR FUNCTION – CONFIGURATION #1

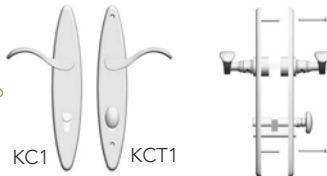
EXAMPLE # MP004 . xxx . **ACT1**

Bismark (MP002), Boulder (MP016), Concord (MP004), Lakeshore (MP013), Santa Monica (MP005)

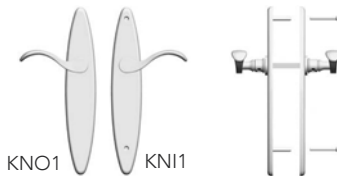
Tier 1

Without Levers
Denote with "x" at end of SKU

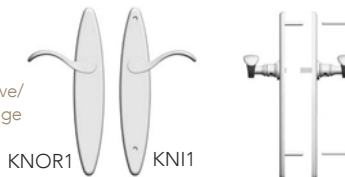
ACT1
Entrance Pro
Cylinder



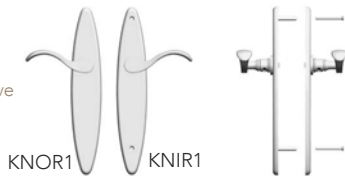
FDP1
Passage



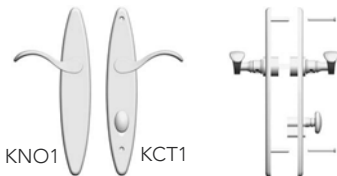
AIN1
Half Inactive/
Half Passage



FD1
Full Inactive



PAT1
Patio



NOTE: Must use specialty multi point screws included in trim box (1336.009).

Item # Description

	003, 031, 033, 044 050, 055, 056, 060 076, 102, 112, 190, 260, 402	003, 031, 033, 044 050, 055, 056, 060 076, 102, 112, 190, 260, 402
Entrance Profile Cylinder Multi-point ACT1 Entry - Keyed W/ Turnknob	\$800	\$600
Passage Multi-point FDP1 Passage - Active No Cylinder or Turnknob	\$670	\$474
Half Inactive / Half Passage Multi-point AIN1 Inactive Outside And Active Inside - Non-keyed	\$670	\$474
Full Inactive Multi-point FD1 Inactive - Non-keyed	\$670	\$474
Patio Multi-point PAT1 Patio - Non-keyed	\$670	\$474
Multi-point, Escutcheons ONLY		
KN11 KN, Cut for Knob Inside	\$285	—
KN1R1 KN, Cut for Knob Inside - Rigid Lever	\$285	—
KNO1 KN, Cut for Knob Outside	\$285	—
KNOR1 KN, Cut for Knob Outside - Rigid Lever	\$285	—
KC1 KC, Cut for Cylinder Outside - Pro C1	\$285	—
KCT1 KC, Cut for Cylinder Inside - Pro C1	\$313	—

Kensington (MP003), Bristol (MP009)

Tier 2

Without Levers
Denote with "x" at end of SKU

NOTE: Must use specialty multi point screws included in trim box (1336.009).

Item # Description

	003, 031, 033, 044 050, 055, 056, 060 076, 102, 112, 190, 260, 402	003, 031, 033, 044 050, 055, 056, 060 076, 102, 112, 190, 260, 402
Entrance Profile Cylinder Multi-point ACT1 Entry - Keyed W/ Turnknob	\$800	\$600
Passage Multi-point FDP1 Passage - Active No Cylinder or Turnknob	\$670	\$474
Half Inactive / Half Passage Multi-point AIN1 Inactive Outside And Active Inside - Non-keyed	\$670	\$474
Full Inactive Multi-point FD1 Inactive - Non-keyed	\$670	\$474
Patio Multi-point PAT1 Patio - Non-keyed	\$670	\$474
Multi-point, Escutcheons ONLY		
KN11 KN, Cut for Knob Inside	\$285	—
KN1R1 KN, Cut for Knob Inside - Rigid Lever	\$285	—
KNO1 KN, Cut for Knob Outside	\$285	—
KNOR1 KN, Cut for Knob Outside - Rigid Lever	\$285	—
KC1 KC, Cut for Cylinder Outside - Pro C1	\$285	—
KCT1 KC, Cut for Cylinder Inside - Pro C1	\$313	—

MULTI-POINT

STEP 3 (CONT)

THICK DOOR KIT – CONFIGURATION #1

EXAMPLE # MP000 . xxx . ACTD

Thick Door Kits

Tier 1 & Tier 2

	Included w/standard sets							List Price
ACT1	1 3/4"	2"	2 1/4"	2 3/8"	2 1/2"	2 3/4"		
All others	MP000.xxx.ACTD	MP000.xxx.ACTD	MP000.xxx.ACTE	MP000.xxx.ACTF	MP000.xxx.ACTG	MP000.xxx.ACTG		\$172
Bismark, Kensington, Lakeshore	MP000.xxx.ACTD	MP000.xxx.ACTE	MP000.xxx.ACTE	MP000.xxx.ACTF	MP000.xxx.ACTG	MP000.xxx.ACTI		\$172
PAT1	1 3/4"	2"	2 1/4"	2 3/8"	2 1/2"	2 3/4"		
All others	MP000.xxx.PATJ	MP000.xxx.PATJ	MP000.xxx.PATK	MP000.xxx.PATL	MP000.xxx.PATM	MP000.xxx.PATM		\$100
Bismark, Kensington, Lakeshore	MP000.xxx.PATJ	MP000.xxx.PATK	MP000.xxx.PATK	MP000.xxx.PATL	MP000.xxx.PATM	MP000.xxx.PATO		\$100
AIN Sets	1 3/4" – 2 1/4"			2 3/8" – 2 3/4"				
	MP000.000.AINS	—	—	MP000.000.AINT	—	—		\$37
FD Sets	1 3/4" – 2 1/4"			2 3/8" – 2 3/4"				
	MP000.000.FDPTP	—	—	MP000.000.FDPTQ	—	—		\$37
FDP Sets	1 3/4" – 2 1/4"			2 3/8" – 2 3/4"				
	MP000.000.FDPTP	—	—	MP000.000.FDPTQ	—	—		\$37

- Baldwin Multi-Point Active & Patio trims assume 1.75" door thickness.
- For thicker doors, please order a Thick Door kit according to the chart below. Specify cylinder finish where noted.
- Available cylinder finishes include ONLY 264 (Satin Chrome), 040 (Satin Brass) and 112 (Venetian Bronze).
- See finish chart on page 179 for cylinder finish recommendations.

ACT kits include:

8mm to 7.3mm Conversion Spindle, Keyed Cylinder, and Cylinder Installation Hardware

PAT kits include:

8mm to 7.3mm Conversion Spindle, Patio Cylinder, and Cylinder Installation Hardware

AIN kits include:

Half spindle, and Spindle Installation Hardware

FDPTP kits include:

8mm to 7.3mm Conversion Spindle

STEP 1

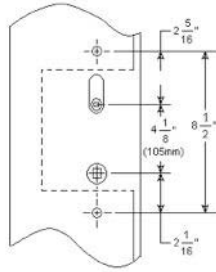
PICK YOUR MULTI-POINT TRIM

EXAMPLE # MP004 . xxx . xxxxx

STEP 2

CHOOSE YOUR DOOR CONFIGURATION

EXAMPLE # MP004 . xxx . xxxxx2



Configuration #	Description
Configuration 2	American Cylinder Above Handle — 4 1/8" (105 mm) center to center 8 1/2" center to center mounting hole location

NOTE: Turn pieces are permanently attached to the Multipoint KT plate and are not interchangeable

STEP 3

CHOOSE YOUR FUNCTION – CONFIGURATION #2

EXAMPLE # MP004 . xxx . ACT2

Bismark (MP002), Boulder (MP016), Concord (MP004), Lakeshore (MP013), Santa Monica (MP005)

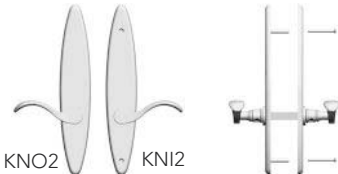
Tier 1

Without Levers
Denote with "x" at end of SKU

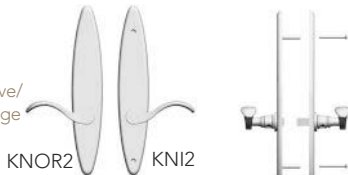
ACT2
Entrance
American
Cylinder



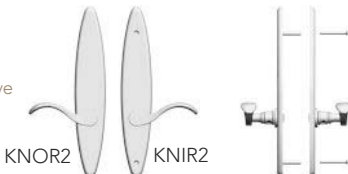
FDP2
Passage



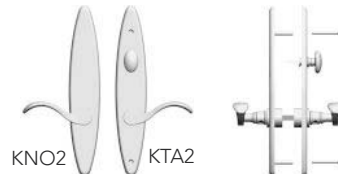
AIN2
Half Inactive/
Half Passage



FD2
Full Inactive



PAT2
Patio



NOTE: Must use specialty multi point screws included in trim box (1336.009).

003, 031, 033, 044
050, 055, 056, 060
076, 102, 112,
190, 260, 402

003, 031, 033, 044
050, 055, 056, 060
076, 102, 112,
190, 260, 402

Item #	Description		
Entrance American Cylinder Multi-point ACT2	Entry - Keyed W/ Turnknob	\$800	\$600
Passage Multi-point FDP2	Passage - Active No Cylinder or Turnknob	\$670	\$474
Half Inactive / Half Passage Multi-point AIN2	Inactive Outside And Active Inside - Non-keyed	\$670	\$474
Full Inactive Multi-point FD2	Inactive - Non-keyed	\$670	\$474
Patio Multi-point PAT2	Patio - Non-keyed	\$670	\$474
Multi-point, Escutcheons ONLY			
KNI2	KN, Cut for Knob Inside	\$285	—
KNIR2	KN, Cut for Knob Inside - Rigid Lever	\$285	—
KNO2	KN, Cut for Knob Outside	\$285	—
KNOR2	KN, Cut for Knob Outside - Rigid Lever	\$285	—
KCA2	KC, Cut for Cylinder Outside - American C2	\$313	—
KTA2	KT, Cut for Turnpiece Inside - American C2	\$313	—

Kensington (MP003), Bristol (MP009)

Tier 2

Without Levers
Denote with "x" at end of SKU

NOTE: Must use specialty multi point screws included in trim box (1336.009).

003, 031, 033, 044
050, 055, 056, 060
076, 102, 112,
190, 260, 402

003, 031, 033, 044
050, 055, 056, 060
076, 102, 112,
190, 260, 402

Item #	Description		
Entrance American Cylinder Multi-point ACT2	Entry - Keyed W/ Turnknob	\$800	\$600
Passage Multi-point FDP2	Passage - Active No Cylinder or Turnknob	\$670	\$474
Half Inactive / Half Passage Multi-point AIN2	Inactive Outside And Active Inside - Non-keyed	\$670	\$474
Full Inactive Multi-point FD2	Inactive - Non-keyed	\$670	\$474
Patio Multi-point PAT2	Patio - Non-keyed	\$670	\$474
Multi-point, Escutcheons ONLY			
KNI2	KN, Cut for Knob Inside	\$285	—
KNIR2	KN, Cut for Knob Inside - Rigid Lever	\$285	—
KNO2	KN, Cut for Knob Outside	\$285	—
KNOR2	KN, Cut for Knob Outside - Rigid Lever	\$285	—
KCA2	KC, Cut for Cylinder Outside - American C2	\$313	—
KTA2	KT, Cut for Turnpiece Inside - American C2	\$313	—

MULTI-POINT

STEP 3 (CONT)

THICK DOOR KIT – CONFIGURATION #2

EXAMPLE # MP000 . xxx . ACTR

Thick Door Kits

Tier 1 & Tier 2

	Included w/standard sets		List Price
ACT2	1 3/4"		
	MP000.xxx.ACTR*	—	\$164
PAT2	1 3/4" – 2 1/4"		
	MP000.000.FDPTP	—	\$37
AIN Sets	1 3/4" – 2 1/4"	2 3/8" to 3"	
	MP000.000.AINS	MP000.000.AINT	\$37
FD Sets	1 3/4" – 2 1/4"	2 3/8" to 2 3/4"	
	MP000.000.FDPTP	MP000.000.FDPTQ	\$37
FDP Sets	1 3/4" – 2 1/4"	2 3/8" to 2 3/4"	
	MP000.000.FDPTP	MP000.000.FDPTQ	\$37

- Specify cylinder finish where noted.
- *ACT2 - Finish matches trim exactly (any of the Baldwin Estate finishes).

ACT kits include:
8mm to 7.3mm Conversion Spindle, Keyed Cylinder, and Cylinder Installation Hardware

AIN kits include:
Half spindle, and Spindle Installation Hardware

FDPTP kits include:
8mm to 7.3mm Conversion Spindle

STEP 1

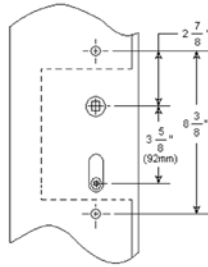
PICK YOUR MULTI-POINT TRIM

EXAMPLE # MP004 . xxx . xxxx

STEP 2

CHOOSE YOUR DOOR CONFIGURATION

EXAMPLE # MP004 . xxx . xxx3



Configuration #	Description
Configuration 3	American Cylinder Below Handle — 3 5/8" (92 mm) center to center 8 3/8" center to center mounting hole location

NOTE: Turn pieces are permanently attached to the Multipoint KT plate and are not interchangeable

STEP 3

CHOOSE YOUR FUNCTION – CONFIGURATION #3

EXAMPLE # MP004 . xxx . ACT3

Bismark (MP002), Boulder (MP016), Concord (MP004), Lakeshore (MP013), Santa Monica (MP005)

Tier 1

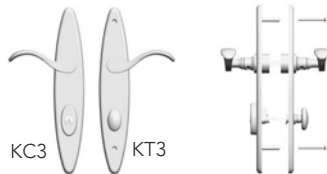
Without Levers
Denote with "x" at end of SKU

NOTE: Must use specialty multi point screws included in trim box (1336.009).

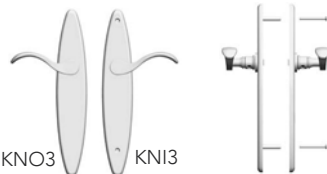
003, 031, 033, 044
050, 055, 056, 060
076, 102, 112,
190, 260, 402

003, 031, 033, 044
050, 055, 056, 060
076, 102, 112,
190, 260, 402

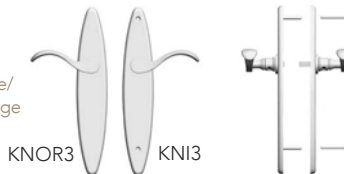
ACT3
Entrance
American
Cylinder



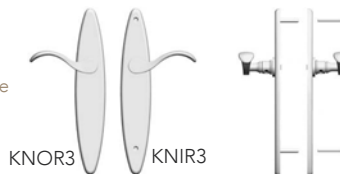
FDP3
Passage



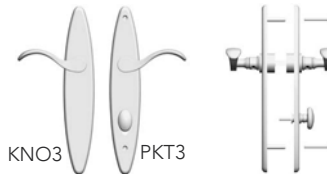
AIN3
Half Inactive/
Half Passage



FD3
Full Inactive



PAT3
Patio



Item # Description

Entrance American Cylinder Multi-point ACT3	Entry - Keyed W/ Turnknob	\$800	\$600
Passage Multi-point FDP3	Passage - Active No Cylinder or Turnknob	\$670	\$474
Half Inactive / Half Passage Multi-point AIN3	Inactive Outside And Active Inside - Non-keyed	\$670	\$474
Full Inactive Multi-point FD3	Inactive - Non-keyed	\$670	\$474
Patio Multi-point PAT3	Patio - Non-keyed	\$670	\$474
Multi-point, Escutcheons ONLY			
KNI3	KN, Cut for Knob Inside	\$285	—
KNIR3	KN, Cut for Knob Inside - Rigid Lever	\$285	—
KNO3	KN, Cut for Knob Outside	\$285	—
KNOR3	KN, Cut for Knob Outside - Rigid Lever	\$285	—
KC3	KC, Cut for Cylinder Outside - American C3	\$313	—
KT3	KT, Cut for Turnpiece Inside - American C3	\$313	—
PKT3	Patio KT, Cut for Turnpiece Inside - C3	\$313	—

Kensington (MP003), Bristol (MP009)

Tier 2

Without Levers
Denote with "x" at end of SKU

NOTE: Must use specialty multi point screws included in trim box (1336.009).

003, 031, 033, 044
050, 055, 056, 060
076, 102, 112,
190, 260, 402

003, 031, 033, 044
050, 055, 056, 060
076, 102, 112,
190, 260, 402

Item # Description

Entrance American Cylinder Multi-point ACT3	Entry - Keyed W/ Turnknob	\$800	\$684
Passage Multi-point FDP3	Passage - Active No Cylinder or Turnknob	\$670	\$474
Half Inactive / Half Passage Multi-point AIN3	Inactive Outside And Active Inside - Non-keyed	\$670	\$474
Full Inactive Multi-point FD3	Inactive - Non-keyed	\$670	\$474
Patio Multi-point PAT3	Patio - Non-keyed	\$670	\$474
Multi-point, Escutcheons ONLY			
KNI3	KN, Cut for Knob Inside	\$285	—
KNIR3	KN, Cut for Knob Inside - Rigid Lever	\$285	—
KNO3	KN, Cut for Knob Outside	\$285	—
KNOR3	KN, Cut for Knob Outside - Rigid Lever	\$285	—
KC3	KC, Cut for Cylinder Outside - American C3	\$313	—
KT3	KT, Cut for Turnpiece Inside - American C3	\$313	—
PKT3	Patio KT, Cut for Turnpiece Inside - C3	\$313	—



STEP 3 (CONT)

THICK DOOR KIT – CONFIGURATION #3

EXAMPLE # MP000 . xxx . ACTA

Thick Door Kits

Tier 1 & Tier 2

	Included w/standard sets			List Price
ACT3	1 3/4" – 2 1/4"	2 3/8" to 2 1/2"	2 3/4"	
	MP000.xxx.ACTA	MP000.xxx.ACTB	MP000.xxx.ACTC	\$164
PAT3	1 3/4" – 2 1/4"	2 3/8" to 2 3/4"		
	MP000.000.FDPTP	MP000.000.FDPTQ	—	\$37
AIN Sets	1 3/4" – 2 1/4"	2 3/8" to 2 3/4"		
	MP000.000.AINS	MP000.000.AINT	—	\$37
FD Sets	1 3/4" – 2 1/4"	2 3/8" to 2 3/4"		
	MP000.000.FDPTP	MP000.000.FDPTQ	—	\$37
FDP Sets	1 3/4" – 2 1/4"	2 3/8" to 2 3/4"		
	MP000.000.FDPTP	MP000.000.FDPTQ	—	\$37

- Config #3 Multi-Point come standard for 1 3/4" to 2 1/4" door thickness. For thicker doors, please order a Thick Door kit according to the chart above. Specify cylinder finish where noted.
- Available cylinder finishes include 264 (Satin Chrome) and 040 (Satin Brass) ONLY.
- See finish chart on page 179 for cylinder finish recommendations.

ACT kits include:
8mm to 7.3mm Conversion Spindle, Keyed Cylinder, and Cylinder Installation Hardware

PAT kits include:
8mm to 7.3mm Conversion Spindle

AIN kits include:
Half spindle, and Spindle Installation Hardware

FDPTP kits include:
8mm to 7.3mm Conversion Spindle

STEP 1

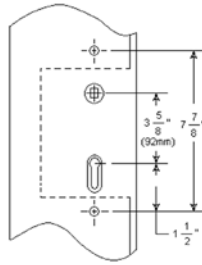
PICK YOUR MULTI-POINT TRIM

EXAMPLE # MP004 . xxx . xxxxx

STEP 2

CHOOSE YOUR DOOR CONFIGURATION

EXAMPLE # MP004 . xxx . xxxxx4



Configuration #	Description
Configuration 4	Profile Cylinder Below Handle — 3 5/8" (92 mm) center to center 7 7/8" center to center mounting hole location

STEP 3

CHOOSE YOUR FUNCTION – CONFIGURATION #4

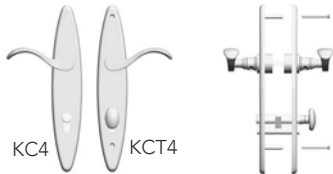
EXAMPLE # MP004 . xxx . ACT4

Bismark (MP002), Boulder (MP016), Concord (MP004), Lakeshore (MP013), Santa Monica (MP005)

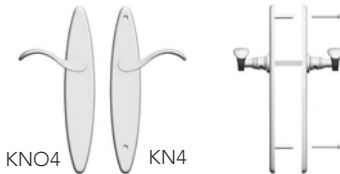
Tier 1

Without Levers
Denote with "x" at end of SKU

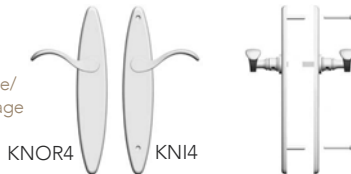
ACT4
Entrance
Profile
Cylinder



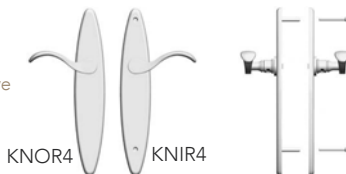
FDP4
Passage



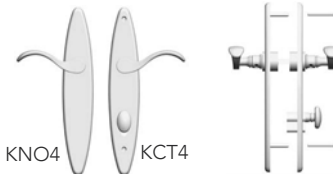
AIN4
Half Inctive/
Half Passage



FD4
Full Inactive



PAT4
Patio



NOTE: Must use specialty multi point screws included in trim box (1336.009).

Item #	Description	003, 031, 033, 044 050, 055, 056, 060, 076 102, 112, 190, 260, 402	003, 031, 033, 044 050, 055, 056, 060, 076 102, 112, 190, 260, 402
ACT4	Entrance Profile Cylinder Multi-point Entry - Keyed W/ Turnknob	\$800	\$600
FDP4	Passage Multi-point Passage - Active No Cylinder or Turnknob	\$670	\$474
AIN4	Half Inactive / Half Passage Multi-point Inactive Outside And Active Inside - Non-keyed	\$670	\$474
FD4	Full Inactive Multi-point Inactive - Non-keyed	\$670	\$474
PAT4	Patio Multi-point Patio - Non-keyed	\$670	\$474
Multi-point, Escutcheons ONLY			
KNI4	KN, Cut for Knob Inside	\$285	—
KNIR4	KN, Cut for Knob Inside - Rigid Lever	\$285	—
KNO4	KN, Cut for Knob Outside	\$285	—
KNOR4	KN, Cut for Knob Outside - Rigid Lever	\$285	—
KC4	KC, Cut for Cylinder Outside - Profile C4	\$285	—
KCT4	KT, Cut for Cylinder Inside - Profile C4	\$313	—

Kensington (MP003), Bristol (MP009)

Tier 2

Without Levers
Denote with "x" at end of SKU

NOTE: Must use specialty multi point screws included in trim box (1336.009).

Item #	Description	003, 031, 033, 044 050, 055, 056, 060 076, 102, 112, 190, 260, 402	003, 031, 033, 044 050, 055, 056, 060 076, 102, 112, 190, 260, 402
ACT4	Entrance Profile Cylinder Multi-point Entry - Keyed W/ Turnknob	\$800	\$600
FDP4	Passage Multi-point Passage - Active No Cylinder or Turnknob	\$670	\$474
AIN4	Half Inactive / Half Passage Multi-point Inactive Outside And Active Inside - Non-keyed	\$670	\$474
FD4	Full Inactive Multi-point Inactive - Non-keyed	\$670	\$474
PAT4	Patio Multi-point Patio - Non-keyed	\$670	\$474
Multi-point, Escutcheons ONLY			
KNI4	KN, Cut for Knob Inside	\$285	—
KNIR4	KN, Cut for Knob Inside - Rigid Lever	\$285	—
KNO4	KN, Cut for Knob Outside	\$285	—
KNOR4	KN, Cut for Knob Outside - Rigid Lever	\$285	—
KC4	KC, Cut for Cylinder Outside - Profile C4	\$285	—
KCT4	KT, Cut for Turnpiece Inside - Profile C4	\$313	—

MULTI-POINT

STEP 3 (CONT)

THICK DOOR KIT – CONFIGURATION #4

EXAMPLE # MP000 . xxx . ACTD

Thick Door Kits

Tier 1 & Tier 2

	Included w/standard sets							
ACT4	1 3/4"	2"	2 1/4"	2 3/8"	2 1/2"	2 3/4"		List Price
All others	MP000.xxx.ACTD	MP000.xxx.ACTD	MP000.xxx.ACTE	MP000.xxx.ACTF	MP000.xxx.ACTG	MP000.xxx.ACTG		\$172
Bismark, Kensington, Lakeshore	MP000.xxx.ACTD	MP000.xxx.ACTE	MP000.xxx.ACTE	MP000.xxx.ACTF	MP000.xxx.ACTG	MP000.xxx.ACTI		\$172
PAT4	1 3/4"	2"	2 1/4"	2 3/8"	2 1/2"	2 3/4"		
All others	MP000.xxx.PATJ	MP000.xxx.PATJ	MP000.xxx.PATK	MP000.xxx.PATL	MP000.xxx.PATM	MP000.xxx.PATM		\$100
Bismark, Kensington, Lakeshore	MP000.xxx.PATJ	MP000.xxx.PATK	MP000.xxx.PATK	MP000.xxx.PATL	MP000.xxx.PATM	MP000.xxx.PATO		\$100
AIN Sets	1 3/4" to 2 1/4"			2 3/8" to 2 3/4"				
	MP000.000.AINS	—	—	MP000.000.AINT	—	—		\$37
FD Sets	1 3/4" to 2 1/4"			2 3/8" to 2 3/4"				
	MP000.000.FDPTP	—	—	MP000.000.FDPTQ	—	—		\$37
FDP Sets	1 3/4" to 2 1/4"			2 3/8" to 2 3/4"				
	MP000.000.FDPTP	—	—	MP000.000.FDPTQ	—	—		\$37

- Config #4 Multi-Point Active and Patio trims assume 1.75" door thickness. For thicker doors, please order a Thick Door kit according to the chart above. Specify cylinder finish where noted.
- Available cylinder finishes include ONLY 264 (Satin Chrome), 040 (Satin Brass) and 112 (Venetian Bronze).
- See finish chart on page 179 for cylinder finish recommendations.

ACT kits include:

8mm to 7.3mm Conversion Spindle, Keyed Cylinder, and Cylinder Installation Hardware

PAT kits include:

8mm to 7.3mm Conversion Spindle, Patio Cylinder and Cylinder Installation Hardware

AIN kits include:

Half spindle, and Spindle Installation Hardware

FDPTP kits include:

8mm to 7.3mm Conversion Spindle

STEP 1

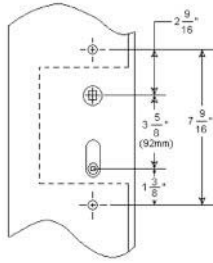
PICK YOUR MULTI-POINT TRIM

EXAMPLE # MP004 . xxx . xxxx

STEP 2

CHOOSE YOUR DOOR CONFIGURATION

EXAMPLE # MP004 . xxx . xxxx5



Configuration #	Description
Configuration 5	American Cylinder Above or Below Handle — 3 5/8" (92 mm) center to center 7 9/16" center to center mounting hole location

STEP 3

CHOOSE YOUR FUNCTION – CONFIGURATION #5

EXAMPLE # MP004 . xxx . ACT5

Bismark (MP002), Boulder (MP016), Concord (MP004), Lakeshore (MP013), Santa Monica (MP005)

Tier 1

Without Levers
Denote with "x" at end of SKU

NOTE: Must use specialty multi point screws included in trim box (1336.009).

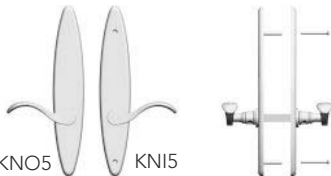
003, 031, 033, 044
050, 055, 056, 060
076, 102, 112,
190, 260, 402

003, 031, 033, 044
050, 055, 056, 060
076, 102, 112,
190, 260, 402

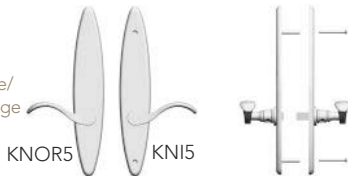
ACT5
Entrance
American
Cylinder



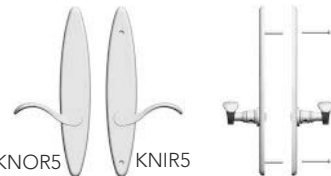
FDP5
Passage



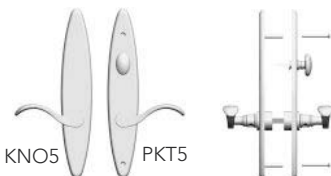
AIN5
Half Inactive/
Half Passage



FD5
Full Inactive



PAT5
Patio



Item # Description

Entrance American Cylinder Multi-point ACT5	Entry - Keyed W/ Turnknob	\$800	\$600
Passage Multi-point FDP5	Passage - Active No Cylinder or Turnknob	\$670	\$474
Half Inactive / Half Passage Multi-point AIN5	Inactive Outside And Active Inside - Non-keyed	\$670	\$474
Full Inactive Multi-point FD5	Inactive - Non-keyed	\$670	\$474
Patio Multi-point PAT5	Patio - Non-keyed	\$670	\$474
Multi-point, Escutcheons ONLY			
KNI5	KN, Cut for Knob Inside	\$285	—
KNIR5	KN, Cut for Knob Inside - Rigid Lever	\$285	—
KNO5	KN, Cut for Knob Outside	\$285	—
KNOR5	KN, Cut for Knob Outside - Rigid Lever	\$285	—
KC5	KC, Cut for Cylinder Outside - American C5	\$285	—
KT5	KT, Cut for Cylinder Inside - American C5	\$313	—
PKT5	Patio KT, Cut for Turnpiece Inside - C5	\$313	—

Kensington (MP003), Bristol (MP009)

Tier 2

Without Levers
Denote with "x" at end of SKU

NOTE: Must use specialty multi point screws included in trim box (1336.009).

003, 031, 033, 044
050, 055, 056, 060
076, 102, 112,
190, 260, 402

003, 031, 033, 044
050, 055, 056, 060
076, 102, 112,
190, 260, 402

Item # Description

Entrance American Cylinder Multi-point ACT5	Entry - Keyed W/ Turnknob	\$800	\$684
Passage Multi-point FDP5	Passage - Active No Cylinder or Turnknob	\$670	\$474
Half Inactive / Half Passage Multi-point AIN5	Inactive Outside And Active Inside - Non-keyed	\$670	\$474
Full Inactive Multi-point FD5	Inactive - Non-keyed	\$670	\$474
Patio Multi-point PAT5	Patio - Non-keyed	\$670	\$474
Multi-point, Escutcheons ONLY			
KNI5	KN, Cut for Knob Inside	\$285	—
KNIR5	KN, Cut for Knob Inside - Rigid Lever	\$285	—
KNO5	KN, Cut for Knob Outside	\$285	—
KNOR5	KN, Cut for Knob Outside - Rigid Lever	\$285	—
KC5	KC, Cut for Cylinder Outside - American C5	\$285	—
KT5	KT, Cut for Turnpiece Inside - American C5	\$313	—
PKT5	Patio KT, Cut for Turnpiece Inside - C5	\$313	—

NOTE: #5 cylinder to spindle orientation is reversible, works for both above and below handle mounting.

STEP 3 (CONT)

THICK DOOR KIT – CONFIGURATION #5

EXAMPLE # MP000 . xxx . ACTA

Thick Door Kits

Tier 1 & Tier 2

	Included w/standard sets			List Price
ACT5	1 3/4" – 2 1/4"	2 3/8" to 2 1/2"	2 3/4"	
	MP000.xxx.ACTA	MP000.xxx.ACTB	MP000.xxx.ACTC	\$164
PAT5	1 3/4" – 2 1/4"	2 3/8" to 2 3/4"		
	MP000.000.FDPTP	MP000.000.FDPTQ	—	\$37
AIN Sets	1 3/4" – 2 1/4"	2 3/8" to 2 3/4"		
	MP000.000.AINS	MP000.000.AINT	—	\$37
FD Sets	1 3/4" – 2 1/4"	2 3/8" to 2 3/4"		
	MP000.000.FDPTP	MP000.000.FDPTQ	—	\$37
FDP Sets	1 3/4" – 2 1/4"	2 3/8" to 2 3/4"		
	MP000.000.FDPTP	MP000.000.FDPTQ	—	\$37

- Config #3 Multi-Point come standard for 1 3/4" to 2 1/4" door thickness. For thicker doors, please order a Thick Door kit according to the chart above. Specify cylinder finish where noted.
- Available cylinder finishes include 264 (Satin Chrome) and 040 (Satin Brass) ONLY.
- See finish chart on page 179 for cylinder finish recommendations.

ACT kits include:

8mm to 7.3mm Conversion Spindle, Keyed Cylinder, and Cylinder Installation Hardware

PAT kits include:

8mm to 7.3mm Conversion Spindle

AIN kits include:

Half spindle, and Spindle Installation Hardware

FDPTP kits include:

8mm to 7.3mm Conversion Spindle

STEP 1

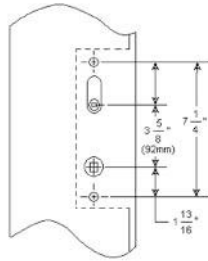
PICK YOUR MULTI-POINT TRIM

EXAMPLE # MP004 . xxx . xxxxx

STEP 2

CHOOSE YOUR DOOR CONFIGURATION

EXAMPLE # MP004 . xxx . xxxxx6



Configuration #	Description
Configuration 6	American Cylinder Above Handle — 3 5/8" (92 mm) center to center 7 1/4" center to center mounting hole location

NOTE: Turn pieces are permanently attached to the Multipoint KT plate and are not interchangeable

STEP 3

CHOOSE YOUR FUNCTION – CONFIGURATION #6

EXAMPLE # MP004 . xxx . ACT6

Bismark (MP002), Boulder (MP016), Concord (MP004), Lakeshore (MP013), Santa Monica (MP005)

Tier 1

Without Levers
Denote with "x" at end of SKU

NOTE: Must use specialty multi point screws included in trim box (1336.009).

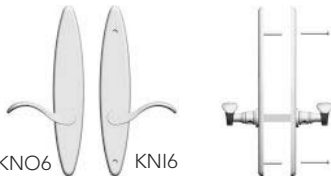
003, 031, 033, 044
050, 055, 056, 060
076, 102, 112,
190, 260, 402

003, 031, 033, 044
050, 055, 056, 060
076, 102, 112,
190, 260, 402

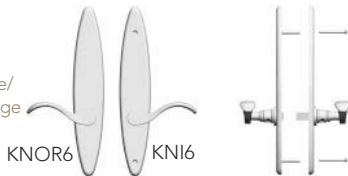
ACT6
Entrance
American
Cylinder



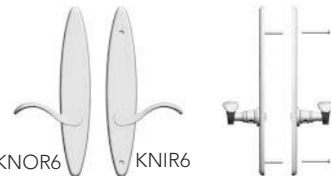
FDP6
Passage



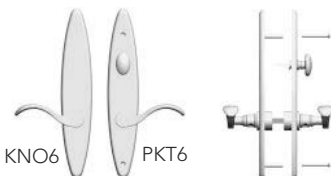
AIN6
Half Inctive/
Half Passage



FD6
Full Inactive



PAT6
Patio



Item # Description

Entrance American Cylinder Multi-point ACT6	Entry - Keyed W/ Turnknob	\$800	\$600
Passage Multi-point FDP6	Passage - Active No Cylinder or Turnknob	\$670	\$474
Half Inactive / Half Passage Multi-point AIN6	Inactive Outside And Active Inside - Non-keyed	\$670	\$474
Full Inactive Multi-point FD6	Inactive - Non-keyed	\$670	\$474
Patio Multi-point PAT6	Patio - Non-keyed	\$670	\$474
Multi-point, Escutcheons ONLY			
KNi6	KN, Cut for Knob Inside	\$285	—
KNIR6	KN, Cut for Knob Inside - Rigid Lever	\$285	—
KNO6	KN, Cut for Knob Outside	\$285	—
KNOR6	KN, Cut for Knob Outside - Rigid Lever	\$285	—
KC6	KC, Cut for Cylinder Outside - American C6	\$285	—
KT6	KT, Cut for Cylinder Inside - American C6	\$313	—
PKT6	Patio KT, Cut for Turnpiece Inside - C6	\$313	—

Kensington (MP003), Bristol (MP009)

Tier 2

Without Levers
Denote with "x" at end of SKU

NOTE: Must use specialty multi point screws included in trim box (1336.009).

003, 031, 033, 044
050, 055, 056, 060
076, 102, 112,
190, 260, 402

003, 031, 033, 044
050, 055, 056, 060
076, 102, 112,
190, 260, 402

Item # Description

Entrance American Cylinder Multi-Point ACT6	Entry - Keyed W/ Turnknob	\$800	\$600
Passage Multi-point FDP6	Passage - Active No Cylinder or Turnknob	\$670	\$474
Half Inactive / Half Passage Multi-point AIN6	Inactive Outside And Active Inside - Non-keyed	\$670	\$474
Full Inactive Multi-point FD6	Inactive - Non-keyed	\$670	\$474
Patio Multi-point PAT6	Patio - Non-keyed	\$670	\$474
Multi-point, Escutcheons ONLY			
KNi6	KN, Cut for Knob Inside	\$285	—
KNIR6	KN, Cut for Knob Inside - Rigid Lever	\$285	—
KNO6	KN, Cut for Knob Outside	\$285	—
KNOR6	KN, Cut for Knob Outside - Rigid Lever	\$285	—
KC6	KC, Cut for Cylinder Outside - American C6	\$285	—
KT6	KT, Cut for Turnpiece Inside - American C6	\$313	—
PKT6	Patio KT, Cut for Turnpiece Inside - C6	\$313	—



STEP 3 (CONT)

THICK DOOR KIT – CONFIGURATION #6

EXAMPLE # MP000 . xxx . ACTA

Thick Door Kits

Tier 1 & Tier 2

	Included w/standard sets			List Price
ACT6	1 3/4" – 2 1/4"	2 3/8" to 2 1/2"	2 3/4"	
	MP000.xxx.ACTA	MP000.xxx.ACTB	MP000.xxx.ACTC	\$172
PAT6	1 3/4" – 2 1/4"	2 3/8" to 2 3/4"		
	MP000.000.FDPTP	MP000.000.FDPTQ	—	\$37
AIN Sets	1 3/4" – 2 1/4"	2 3/8" to 2 3/4"		
	MP000.000.AINS	MP000.000.AINT	—	\$37
FD Sets	1 3/4" – 2 1/4"	2 3/8" to 2 3/4"		
	MP000.000.FDPTP	MP000.000.FDPTQ	—	\$37
FDP Sets	1 3/4" – 2 1/4"	2 3/8" to 2 3/4"		
	MP000.000.FDPTP	MP000.000.FDPTQ	—	\$37

- Config #6 Multi-Point come standard for 1 3/4" to 2 1/4" door thickness. For thicker doors, please order a Thick Door kit according to the chart above. Specify cylinder finish where noted.
- Available cylinder finishes include 264 (Satin Chrome) and 040 (Satin Brass) ONLY.
- See finish chart on page 179 for cylinder finish recommendations.

ACT kits include:

8mm to 7.3mm Conversion Spindle, Keyed Cylinder, and Cylinder Installation Hardware

PAT kits include:

8mm to 7.3mm Conversion Spindle

AIN kits include:

Half spindle, and Spindle Installation Hardware

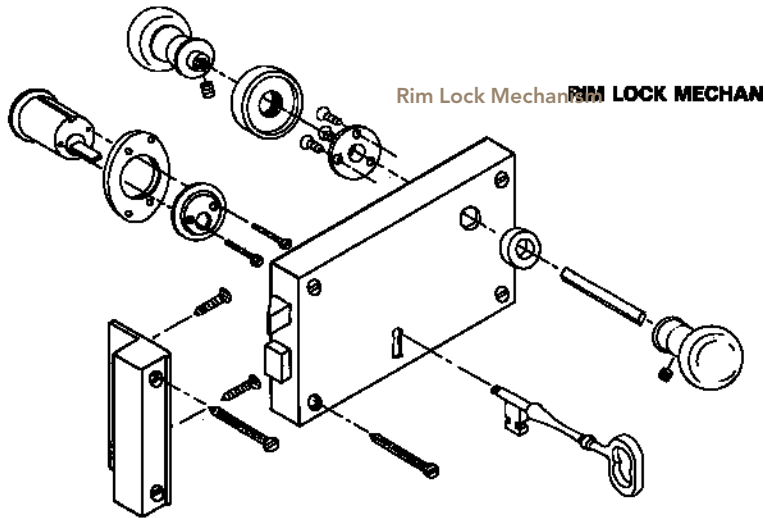
FDPTP kits include:

8mm to 7.3mm Conversion Spindle



**RIM LOCKS &
CREMONE BOLTS**

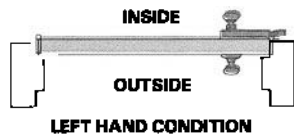
Standard & Specifications



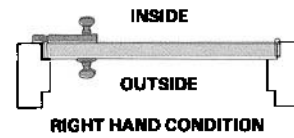
Rim Lock Mechanism RIM LOCK MECHANISM

Pride in our American Heritage and renewed interest in its early history has greatly influenced U.S. architecture. With careful research and design, Baldwin has authentically reproduced a piece of that heritage – colonial rim locks.

- Constructed with solid forged brass parts for exceptional durability and smooth operation
- Trim designs secured to a broached spindle with an epoxy (resin) coated set screw – prohibits screw from loosening
- Interior rim locks use bit keys. Bit keys may be ordered fixed permanently into the lock by ordering as .RBIT or .LBIT configurations
- Rim locks are sold as sets with 5030 knob included
- 1.375 minimum door thickness is required



LEFT HAND CONDITION



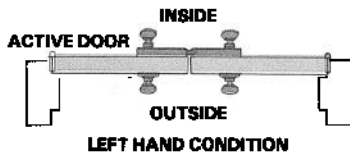
RIGHT HAND CONDITION



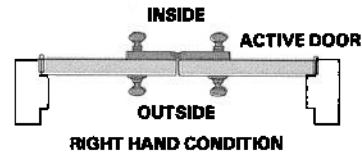
LEFT HAND REVERSE BEVEL CONDITION



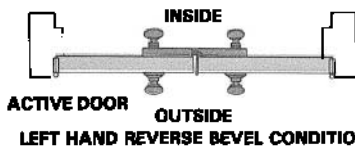
RIGHT HAND REVERSE BEVEL CONDITION



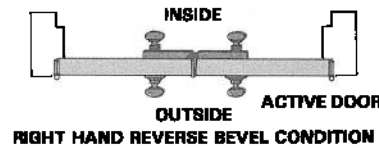
LEFT HAND CONDITION



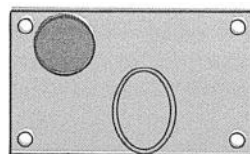
RIGHT HAND CONDITION



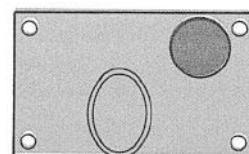
LEFT HAND REVERSE BEVEL CONDITION



RIGHT HAND REVERSE BEVEL CONDITION



EXTERIOR PLATE, LEFT HAND CONDITION (SINGLE DOOR)



EXTERIOR PLATE, RIGHT HAND CONDITION (SINGLE DOOR)

Handing of Rim Lock Plates

NOTE: Hand of door is always determined from outside
IMPORTANT: A dummy trim rim lock must be used on ALL pairs of reverse bevel doors

Rim Locks



Full Dummy Rim Locks

Hollow rim lock case (without any working mechanism)

Passage Rim Locks

Latch bolt by knob either side

Privacy Rim Locks

Latch bolt by knob either side
Dead bolt by Bit Key either side

Entrance Rim Locks

Latch bolt by knob either side
Dead bolt by key outside and slide bolt inside

Included	Item #	Included	Item #	Included	Item #	Included	Item #
Knob (Pair)	5030	Knob (Pair)	5030	Bit Key*	5755	Cylinder	8333
Rose (Half Pair)	5002	Rose (Half Pair)	5002	Cover Plate	0406	Cylinder Cover Plate	6755
				Emergency Key	5753	Cylinder Cover Plate*	6757
				Knob (Pair)	5030	Knob (Pair)	5030
				Rose (Half Pair)	5002	Rose (Half Pair)	5002

Full Dummy prepared as a strike for all function rim locks.



Exterior Trim

Exterior Trim

Included	Item #
Cylinder (Entrance Only)	6755
Knob	5030
Rose	5002

- RIM LOCKS ARE NOT REVERSIBLE – SPECIFY HAND OF DOORS
- IMPORTANT: A dummy trim rim lock must be used on ALL pairs of reverse bevel doors
- *Bit Key can be permanently fitted at an extra charge of \$10 (add 'BIT' to end of suffix: eg. 5600.xxx.R becomes 5600.xxx.RBIT)
- Emergency key – s/b stored in readily accessible place
- For 2 1/4 inch thick doors, 5 inch spindle required

*Only in case of 5704

Small Vertical Rim Lock

5600,
5602, 5604
Inside Trim

Pictured is the 5602 lock. Please note the 5600 & 5604 locks do not come with the Bit key/ key hole.



Right Hand Door, Interior Trim Shown

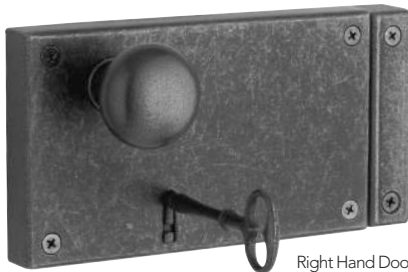
Item #	Description	Function	Wt.	Backset	003, 031, 033 044, 050, 055 056, 060, 076, 102 112, 190, 260
5600.xxx.R (.L, .RR, .LR)	Small Vertical	Passage	3.7	2.75"	\$1,193
5600.xxx.RFD (.LFD)	Small Vertical	Full Dummy	3.7	2.75"	\$597
5602.xxx.R (.L, .RR, .LR)	Small Vertical	Privacy	4.0	2.75"	\$1,393
5602.xxx.RFD (.LFD)	Small Vertical	Full Dummy	3.7	2.75"	\$717
5604.xxx.R (.L, .RR, .LR)*	Small Vertical	Entrance	4.6	2.75"	\$1,511
5604.xxx.RFD (.LFD)*	Small Vertical	Full Dummy	4.6	2.75"	\$757

CASE: 4.75" x 3.75" x .875"
KEEPER: 4.75" x .875" x 1.625"
BACKSET: 2.75"

Upright design well suited for narrow stile doors
*5604.xxx – Utilizes Slide Bolt instead of Bit Key.

7" Horizontal Rim Lock

5634
Inside Trim



Right Hand Door, Interior Trim Shown

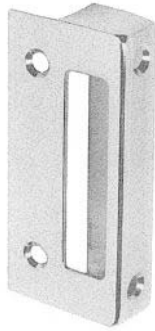
Item #	Description	Function	Wt.	Backset	003, 031, 033 044, 050, 055 056, 060, 076, 102 112, 190, 260
5634.xxx.R (.L, .RR, .LR)	7" Horizontal	Entrance	5.5	5.25"	\$1,584
5634.xxx.RFD (.LFD)	7" Horizontal	Full Dummy	5.5	5.25"	\$947

CASE: 4" x 6.75" x .875"
KEEPER: 4" x .875" x 1.625"
BACKSET: 5.25"

Trim Pieces

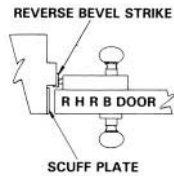
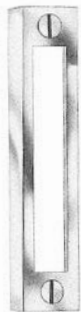
003, 031, 033
044, 050, 055
056, 060, 076, 102
112, 190, 260

Rim Lock Keeper
(Strikes)



Item #	Description	Size	Fits Rim Lock	
5601.xxx	Keeper (Standard Strike)	4.75" x 0.875" x 1.625"	5600, 5602, 5604	\$111
5641.xxx	Keeper (Standard Strike)	5.75" x 0.875" x 1.625"	5644	\$111
5671.xxx	Keeper (Standard Strike)	3.75" x 0.875" x 1.625"	5704	\$111
5603.xxx	Reverse Bevel Keeper (Strike)	4.75" x 1" x .375"	5600, 5602, 5604	\$88
5628.xxx	Reverse Bevel Keeper (Strike)	4" x 1" x .375"	5634	\$88
5642.xxx	Reverse Bevel Keeper (Strike)	5.75" x 1" x .375"	5644	\$88
5672.xxx	Reverse Bevel Keeper (Strike)	3.75" x 1" x .375"	5704	\$88
5606.xxx	Scuff Plate	4.75" x 1.875"	5600, 5602, 5604	\$88
5633.xxx	Scuff Plate	4" x 1.875"	5634	\$88
5643.xxx	Scuff Plate	5.75" x 1.875"	5644	\$88
5673.xxx	Scuff Plate	3.75" x 1.875"	5704	\$88

Reverse Bevel Keepers
(Strikes)



Scuff Plates

- Recommended on reverse bevel doors.
- Prevents damage to doors and latch bolts.
- Provides smoother lock operation.

Scuff Plates

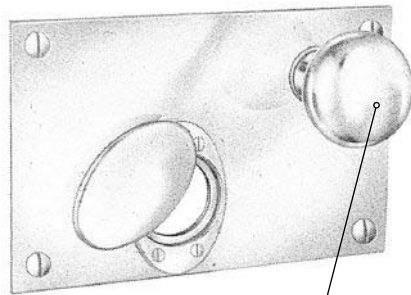


Exterior only Lock Plate

003, 031, 033
044, 050, 055
056, 060, 076, 102
112, 190, 260

5608, 5626, 5629, 5674

Pictured is the 5626.xxx.RSKC lock.



Knob trim NOT included
Lock Plates are used in place of cylinder collars
and roses on Cylinder-function Rim Locks

Item #	Description	Door Handling	Door	Plate Prep	Size	Fits Rim Lock	
5608.xxx.RSKC (.LSKC)	Exterior Lock Plate				4.75" x 3.25"	5604	\$205
5626.xxx.RSKC (.LSKC)**	Exterior Lock Plate	R or L	Single	KC	4" x 6.25"	5634, 5636	\$205
5629.xxx.RSKC (.LSKC)	Exterior Lock Plate					5639	\$205
5674.xxx.RSKC (.LSKC)*	Exterior Lock Plate				3.75" x 4.25"	5704	\$205

*Does not include and cannot accommodate 6755 Swing Cover

**Beveled trim for 5626 lock plate is not available.

5608, 5626 & 5629 Plates: 6755 Cylinder Cover Plate is secure to the plate.

Note: Rose and Cylinder trim furnished with cylinder function rim locks can not be used w/ Lock Plate
THICKNESS: .093"

Accessories

003, 031, 033
044, 050, 055
056, 060, 076, 102
112, 190, 260

Item #	Description	
0406.xxx	Colonial Emergency Release Trim & Key	\$62
5753.xxx	Emergency Release Key	\$51
5754.xxx	Key Plate	\$22
5755.xxx	Bit Key	\$51
5758.xxx	Solid Brass Spacer	\$15
6755.xxx	Cylinder Lock Cover Plate	\$140
8314.xxx	Wrought Cylinder Collar for Rim Locks	\$21

0406



0406.xxx – Colonial Emergency Release Trim & Key

SIZE: 2.312" × .687" (59 × 17mm).

5753



5753.xxx – Emergency Release Key

SIZE: 4" (102mm) long.
Designed for use with Privacy Rim Lock

5754



5754.xxx – Key Plate

SIZE: 2" × 1.125" (51 × 29mm). Key Plate

5755.xxx Bit Key

SIZE: 4" (102mm) long.
FEATURES: Fits all Baldwin rim locks. Can be permanently fitted with locks to prevent unauthorized removal.

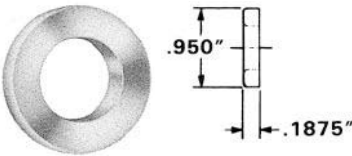
5755



5758.xxx – Solid Brass Spacer

Designed for use with knob trim during installation on rim lock case. Furnished standard with all rim lock sets.

5758



6755.xxx – Cylinder Cover Plate

SIZE: 2.375" × 1.625" (60 × 41mm)

FEATURES: For use with all standard rim lock cylinders (except 5704 Rim Lock)

6755



6755.xxx.001-3 – Blocking Rings

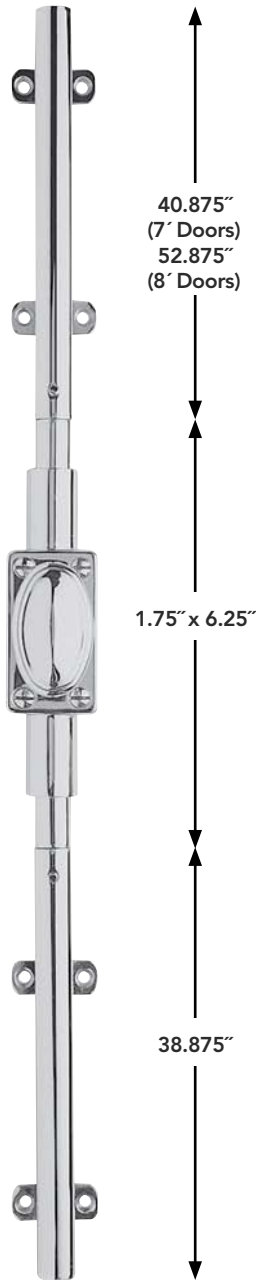
For 6755 Cylinder Cover Plate only

8314



RIM LOCKS
CREMONA BOLTS

Cremone Bolts



8105.xxx
FOR ILLUSTRATION PURPOSES ONLY.
TRIM AVAILABLE ON EXTERIOR SIDE.



0310.xxx.ANGL
Angle Strike



0310.xxx.UNIV
Universal Strike



0310.xxx.MORT
Mortise Strike

Door Size	Stock parts to be ordered
up to 9 ft.	Standard 7 ft. Cremone Bolt and 2 ft. Extension
up to 10 ft.	Standard 8 ft. Cremone Bolt and 2 ft. Extension
up to 11 ft.	Standard 8 ft. Cremone Bolt and 4 ft. Extension
up to 12 ft.	Standard 8 ft. Cremone Bolt and 4 ft. Extension
above 12 ft.	Not Available

8105, 8106, & 8107.xxx Right Hand or Left Hand, 7 or 8 ft. units.

SOLID FORGED BRASS CONSTRUCTION

CASE SIZE: 1.75" x 6.25" (44 x 159mm)

BOLT DIMENSIONS: STANDARD 7 FT. LENGTH
Top Rod: .625" x 40.875" (16 mm x 1.04m).
Bottom Rod: .625" x 38.875" (16 x .99 m)

STANDARD 8 FT. LENGTH
Top Rod: .625" x 52.875" (16mm x 1.34)
Bottom Rod: .625" x 38.875" (16mm x .99m)

THROW: When engaged: both bolts extend .75" (19mm) into jamb and sill.

GUIDES: 1.5" (38mm) wide. Decorative covers to conceal guides are available at an additional charge. Please consult price list.

FASTENERS: Case is surface mounted with 4 No. 8 x 1.25" Oval Phillips Head Screws for added strength and durability.

STRIKES: Furnished with 3 Strikes, one Universal, one Angle, and one Mortise to meet various door conditions.

SPINDLE: 1.375" (35mm) in length (NO. 8105.004) A straight spindle must be ordered when trim is ordered for the exterior side of the door. When paired with Estate rosette on exterior. Use "G" trim thickness when sizing spindle.

FEATURES: Often used as an elegant and functional addition to a pair of french doors with very narrow stile conditions. A typical application requires active cremone bolts mounted on each leaf of a pair of doors with no exterior access. Specify cremone bolt less knob (LK) or less lever (LK), and order knob or lever minus rose (MR) of choice as a separate item.

SPECIAL CONDITIONS: When specified, most trim as illustrated in the knob/lever section is available for the exterior side to latch door. Indicate knob or lever to be furnished. Straight spindle must be purchased separately. In addition, for doors larger than 8ft. see Cremone Bolt extension packets below.

PACKED: One in a box with three strikes and the appropriate fasteners. Cremone Bolts are available in two sizes, one for doors up to and including 7 ft. (2.13m) and one for doors between 7 feet and 8 feet in height, at an additional cost. A 42" centerline above the finished floor is considered standard with our Cremone Bolts.

NOTE: Always specify hand of door as Knob/Lever trim will turn only in one direction. See diagram on bottom of page for handling details. To enable greater job site flexibility, exact sizing of Cremone Bolts can be accomplished in the field. For doors larger than 8ft. in height, the addition of a Cremone Bolt extension packet is necessary. See table below.

ORDERING INFORMATION: The final suffix numbers will indicate the following:
Digit #1 of the suffix will indicate hand of the unit: either right (R) or left (L)
Digit #2 of the suffix will indicate length: either 7' or 8'
Digits #3 & #4 of the suffix will indicate a cremone bolt less knob or Lever (LK).

ORDERING EXAMPLES, KNOB/FUNCTION: Order cremone bolt and separate line item for knob:
8105.XXX.R7LK: Standard design 7' Cremone bolt right hand less knob/lever
5000.XXX.IMR: 1 each 5000 knob minus rose

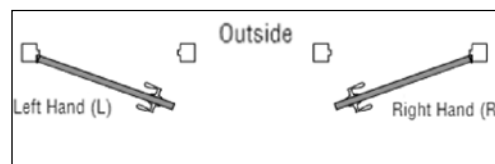
ORDERING EXAMPLES, LEVER/FUNCTION: Order cremone bolt and separate line item for lever:
8105.XXX.L7LL: Standard design 7' Cremone bolt right hand less lever
1 each 5125 lever left hand minus rose: 5152.XXX.LMR Nos.
8105, 8106 & 8107.XXX.R7/8R/LK are furnished with guides less knobs or levers.

CREMONE BOLT EXTENSION PACKETS: 8106.XXX.E24 2 FT. Extension Packet - Ornamental Design
8106.XXX.E48 4 FT. Extension Packet - Ornamental Design
8107.XXX.E24 2 FT. Extension Packet - Contemporary Design
8107.XXX.E48 4 FT. Extension Packet - Contemporary Design

These packets contain all the parts necessary to extend the top rod length of stock 7ft. or 8ft. Cremone Bolts for special door situations. The following chart illustrates which item to order for a particular door size.

NOTE: Extension packets are only available for Cremone Bolts with decorative covers. Not available for use with 8105 Cremone Bolts.

Door Handing



Cremone Bolts

003, 031, 033
044, 050, 055
056, 060, 076, 102
112, 190, 260

8105



Item #	Function	
8105.xxx.R7LK(L7LK)	Standard 7' Doors	\$851
8105.xxx.R8LK(L8LK)	Standard 8' Doors	\$1,104
8106, 8107.xxx	Ornamental & Contemporary 7' Doors (R7LK, L7LK)	\$1,020
8106, 8107.xxx	Ornamental & Contemporary 8' Doors (R8LK, L8LK)	\$1,443
8105.xxx.GD	Cremone bolt rod guide	\$51
8105.xxx.REPL	Bottom replacement rod for all cremone bolts	\$255
8105.xxx.7TOP	Top replacement rod for cremone bolts for 7' doors	\$172
8105.xxx.8TOP	Top replacement rod for cremone bolts for 8' doors	\$255
8105.xxx.R510/L510	Case assembly	\$255
8106.xxx.CVR	Ornamental cover for cremone & surface bolts	\$69
8107.xxx.CVR	Contemporary cover for cremone & surface bolts	\$69
8106.xxx.E24	24" extension rod w/ornamental cover	\$221
8107.xxx.E24	24" extension rod w/contemporary cover	\$221
8106.xxx.E48	48" extension rod w/ornamental cover	\$341
8107.xxx.E48	48" extension rod w/contemporary cover	\$341

8105.xxx – Standard Cremone Bolt

FEATURES: Supplied without decorative covers for guides.

NOTE: All 7' Cremone Bolts are supplied with 4 guides and 8' Cremone Bolts are supplied with 6 guides. Customer must purchase knob or lever, separately.

8106.xxx – Ornamental Cremone Bolt

FEATURES: Similar to 8105 Cremone Bolts except that the guides are concealed with decorative covers for a more elegant appearance.

8107.xxx – Contemporary Cremone Bolt

FEATURES: Similar to 8105 Cremone Bolts except that the guides are concealed with decorative covers for a more elegant appearance.

8106 & 8107 Covers

FEATURES: Covers available separately to facilitate stocking all designs.

PACKED: Includes fasteners.

WEIGHT: 8106: 2.7 lbs. (1.22kg), 8107: 3 lbs. (1.36kg)

Cremone bolts intended for use on INTERIOR doors only.

Cremone bolt rod cannot be distressed.

The following are recommended to match distressed finishes:

402 = 102

NOTE: Cremone bolts are sold less knob/lever. Customers select Estate Collection knob or lever of their choice. Cremone mechanism is handed. Select cremone in same hand as door.

8106



8107



8106
Ornamental



8107
Contemporary



**GENERAL
HARDWARE**



0012 Letter Box Plate

0012



Exterior

Interior

Item #	Description	Per Box	Wt.	003, 031 033, 044, 050 055, 056, 060 076, 102, 112, 190, 260
0012.xxx	Letter Box Plate, 13"x 3.625"	1	2(lbs)	\$146

Package size – Spring tension design – Heavy gauge wrought brass
13"x 3.625"(330 x 92mm), Door prep opening: 11.562"x 2.812"(279 x 51mm)

FEATURES: Very large opening will accommodate small packages.
Bronze spring keeps flap tightly closed at all times and permits vertical installation.

0014 Letter Box Plate

0014



Exterior

Interior

Item #	Description	Per Box	Wt.	003, 031 033, 044, 050 055, 056, 060 076, 102, 112, 190, 260
0014.xxx	Letter Box Plate, 13"x 3.625"	1	2.5 (lbs)	\$189

Package size – Spring tension design w/ covered hinging back plate –
Heavy gauge wrought brass 13"x 3.625"(330 x 92mm),
Door prep opening: 11.562"x 2.812"(279 x 51mm)

FEATURES: In addition to the features of 0012, the hinging back plate provides additional
privacy and decorative appearance. Not suitable for vertical installation.

0015 Letter Box Plate

0015



Exterior

Interior

Item #	Description	Per Box	Wt.	003, 031 033, 044, 050 055, 056, 060 076, 102, 112, 190, 260
0015.xxx	Letter Box Plate, 10"x 3"	1	1(lb)	\$134

Magazine size – Spring tension design – Heavy gauge wrought brass
10"x 3"(254 x 92mm), Door prep opening: 8.25"x 2.375"(191 x 51mm)

FEATURES: Bronze spring keeps flap tightly closed at all times and permits vertical installation.

0017 Letter Box Plate

0017



Exterior

Interior

Item #	Description	Per Box	Wt.	003, 031 033, 044, 050 055, 056, 060 076, 102, 112, 190, 260
0017.xxx	Letter Box Plate, 10"x 3"	1	1.5 (lbs)	\$174

Magazine size – Spring tension design w/ covered hinging back plate –
Heavy gauge wrought brass 10"x 3"(254x 76mm), Door prep opening: 7.5"x 2"(191 x 51mm)

FEATURES: In addition to the features of 0015, the hinging back plate provides additional
privacy and decorative appearance. Not suitable for vertical installation.

0050, 0052 Letterbox Sleeve

0050, 0052



Item #	Description	Per Box	Wt.	324
0050.324	Letter Box Sleeve, fits 0015 & 0017	1	0.5 (lb)	\$45
0052.324	Letter Box Sleeve, fits 0012 & 0014	1	0.5 (lb)	\$50

0050.324: 8.0625 "L x 2.25"W x 1.6875"D (205 x 57 x 43mm) -
Fits our Letter Box Plates Nos. 0015 and 0017.
0052.324: 11.375"L x 2.75"W x 1.6875"D (289 x 70 x 43mm) -
Fits our Letter Box Plates Nos. 0012 and 0014.

FEATURES: Made of stainless steel. Stocked for 1.75"(44mm) thick doors.

PACKED: One (1) per box with sheet metal screws.

0102, 0103 Colonial Knocker 

0102, 0103



Item #	Description	Per Box	Wt.	003, 031, 033 044, 050, 055, 056, 060, 076, 102, 112, 190, 260, 402
0102.xxx	Colonial Knocker	1	1	\$100
0103.xxx	Colonial Knocker w/ Observascope	1	1	\$120

SIZE: 6.5" x 3.5" (165 x 89mm)

CTC OF BOLTS: 4" (102mm)

PACKED: One (1) in a box, poly-bagged, with proper fasteners for 1.75" thick doors

0105 Knocker

0105



Item #	Description	Per Box	Wt.	003, 031, 033 044, 050, 055, 056 060, 076, 102, 112, 190, 260, 402
0105.xxx	Knocker	1	1.9	\$120

SIZE: 5.5" x 4.0" (140 x 102mm)

CTC OF BOLTS: 4" (102mm)

PACKED: One (1) in a box, poly-bagged, with proper fasteners for 1.75" thick doors

0113 "S" Knocker 

0113



Item #	Description	Per Box	Wt.	003, 031, 033 044, 050, 055, 056, 060, 076, 102, 112, 190, 260, 402
0113.xxx	"S" Knocker	1	1.8	\$200t

SIZE: 2" dia. base (51mm), 7.8" ht. (197mm), 2.8" projection (70mm)

CTC OF BOLTS: 4.75" (120mm)

PACKED: One (1) in a box, poly-bagged, with proper fasteners for 1.75" thick doors

0116 Imperial Knocker

0116



Item #	Description	Per Box	Wt.	003, 031, 033 044, 050, 055, 056 060, 076, 102, 112, 190, 260, 402
0116.xxx	Imperial Knocker	1	1.2	\$120

SIZE: 8.5" x 4.125" (216 x 104mm)

CTC OF BOLTS: 4.75" (121mm)

PACKED: One (1) in a box, poly-bagged, with proper fasteners for 1.75" thick doors

0195 Ring Knocker 

0195



Item #	Description	Per Box	Wt.	003, 031, 033 044, 050, 055, 056 060, 076, 102, 112, 190, 260, 402
0195.xxx	Ring Knocker	1	1.5	\$180

SIZE: 4.25" x 5.5" (108 x 140mm)

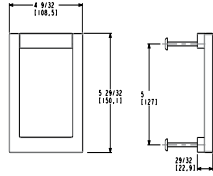
CTC OF BOLTS: 3.75" (95mm)

PACKED: One (1) in a box, poly-bagged, with proper fasteners for 1.75" thick doors

0183 Contemporary Knocker 



Item #	Description	003, 031, 033 044, 050, 055, 056 060, 076, 102, 112, 190, 260
0183.xxx	Contemporary Knocker	\$200



0184, 0185 Modern Knocker 

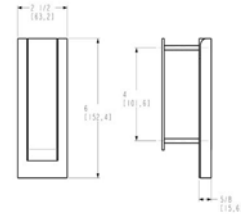
0184
Standalone



0185
Observascope



Item #	Description	003, 031, 033 044, 050, 055, 056 060, 076, 102, 112, 140, 190, 260, 402
0184.xxx	Modern Knocker	\$180
0185.xxx	Modern Knocker w/ Observascope	\$200



0155, 0156 Observascope 

0155



0156




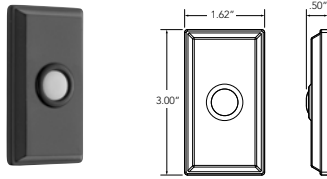
Item #	Description	Per Box	Wt.	030, 260
0155.xxx	Observ-O-Scope (doors <2.25" thick)	10	0.06	\$21
0156.xxx	Observ-O-Scope (doors 2.25-3.25" thick)	10	0.06	\$23

SIZE: .5" (13mm) diameter quality lens.

FEATURES: Exterior lens constructed of scientific glass to prohibit scratching while creating a field of vision exceeding 160°. All viewers are furnished with a shutter.

INSTALLATION: Drill a .5" (13mm) hole completely through the door; insert the lens portion into the exterior side and the slotted scope portion through the interior side. Tighten together with a standard screwdriver.

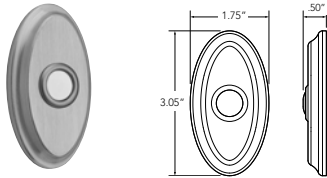
4860 Rectangular Bell Button 



003, 031, 033, 044, 050, 055
056, 060, 076, 102, 112,
190, 260, 402

Item #	Description	Wt.	
4860.xxx	Rectangular Bell Button	0.3	\$45

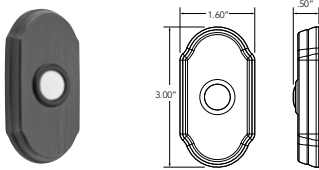
4861 Oval Bell Button 



003, 031, 033, 044, 050, 055
056, 060, 076, 102, 112,
190, 260, 402

Item #	Description	Wt.	
4861.xxx	Oval Bell Button	0.3	\$45

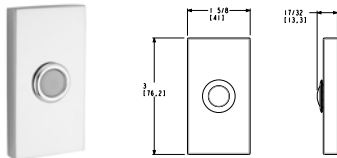
4862 Arch Bell Button 



003, 031, 033, 044, 050
055, 056, 060, 076, 102
112, 190, 260, 402

Item #	Description	Wt.	
4862.xxx	Arch Bell Button	0.3	\$45

4863 Contemporary Bell Button 



003, 031, 033, 044, 050
055, 056, 060, 076, 102
112, 190, 260

Item #	Description	Wt.	
4863.xxx	Contemporary Bell Button	0.3	\$45

House Numbers



003, 031, 033
044, 050, 055, 056
060, 076, 102, 112,
190, 260, 402

Item #	Description	Per Box	Wt.	
90670.xxx.CD	House Number - 0	1	0.6	\$34
90671.xxx.CD	House Number - 1	1	0.6	\$34
90672.xxx.CD	House Number - 2	1	0.6	\$34
90673.xxx.CD	House Number - 3	1	0.6	\$34
90674.xxx.CD	House Number - 4	1	0.6	\$34
90675.xxx.CD	House Number - 5	1	0.6	\$34
90676.xxx.CD	House Number - 6	1	0.6	\$34
90677.xxx.CD	House Number - 7	1	0.6	\$34
90678.xxx.CD	House Number - 8	1	0.6	\$34
90679.xxx.CD	House Number - 9	1	0.6	\$34

FEATURES: 4.75" tall solid forged brass residential house numbers applied with truss head wood screws.

PROJECTION: .312" (8mm)

PACKED: Includes fasteners

0250 Security Door Guard 

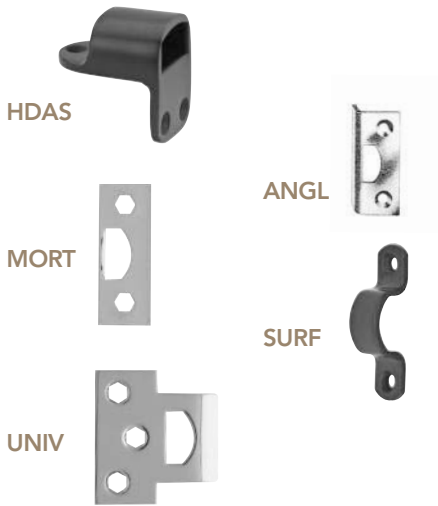


0250

Item #	Description	Per Box	Wt.	003, 031, 033 044, 050, 060, 076 102, 112, 140, 150, 190, 260, 402
0250.xxx	Security Door Guard	1	0.5	\$45

SIZE: Jamb Plate: 1" x 2.625" (25 x 67mm)
ARM LENGTH: Center of Rivets/Jamb Plate to End of Arm: 4.625" (117mm)
STRIKE PLATE: 1.187" x 1.187" (30 x 30mm)
STRIKE LENGTH: 3.062" (78mm)
FEATURES: Allows door to be opened up to 4" while maintaining security. Hinges onto a strike mounted on door, eliminating scratching caused by conventional chain door fasteners. When not in use, the hinged door guard is positioned 180° away from door.
PACKED: Individually poly-bagged with sheet metalscrews.
 All bags are coded with product number, description and UPC codes.

0310 Strikes



HDAS

ANGL

MORT

SURF

UNIV

Item #	Description	Per Box	Wt.	003, 031, 033 044, 050, 055, 056 060, 076, 102, 112 140, 190, 260
0310.xxx.HDAS	Strike – Heavy Duty Angle Use with: 0345, 0370, 0378, 0379, 0380, 0381, 0382, 0383	1		\$22
0310.xxx.ANGL	Strike – Angle Use with: 0345, 0379, 0380, 0381, 0382, 0383	1		\$22
0310.xxx.MORT	Strike – Mortise Use with: 0345, 0379, 0380, 0381, 0382, 0383	1		\$22
0310.xxx.SURF	Strike – Surface Use with: 0344, 0345, 0346, 0370, 0379, 0380, 0381, 0382, 0383	1		\$22
0310.xxx.UNIV	Strike – Universal Use with: 0344, 0345, 0346, 0370, 0379, 0380, 0381, 0382, 0383	1		\$22

0320 Strikes



MORT

UNIV

Item #	Description	Per Box	Wt.	003, 031, 033 044, 050, 060, 076 102, 112, 140, 150, 190, 260
0320.xxx.MORT	Strike – Mortise Use with: 0321, 0322	10		\$15
0320.xxx.UNIV	Strike – universal Use with: 0321, 0322	10		\$15

0321, 0322 General Purpose Surface Bolts 

Supplied w/0320 Strikes

0321,0322



Item #	Description	Per Box	Wt.	003, 031, 033 044, 050, 060, 076 102, 112, 140, 150, 190, 260
0321.xxx	Surface Bolt – 3"	10	1.8	\$36
0322.xxx	Surface Bolt – 4"	10	2.2	\$37

SIZES: .5" (13mm) width rod, .5" (13mm) width of guide, .875" (22mm) throw.
FEATURES: Mounted on a fully concealed guide of special design. Fasteners are not visible.
PACKED: Includes Universal and Mortise Strikes and screws.
BHMA DESIGNATION: L04151

*QUICK SHIP is available in functions and finishes shown in red.

0379 – 0383 Ornamental Heavy Duty Surface Bolt
Supplied w/0310 Strike

003, 031, 033
044, 050, 060, 076
102, 112, 140, 150,
190, 260

0379 – 0383



Item #	Description	No. of Covers	Per Box	Wt.	
0379.xxx	Surface Bolt – 6" (152mm)	2	1	3.5	\$106
0380.xxx	Surface Bolt – 8" (203mm)	2	1	0.8	\$134
0381.xxx	Surface Bolt – 12" (305mm)	3	1	1.2	\$165
0382.xxx	Surface Bolt – 18" (457mm)	3	1	1.7	\$192
0383.xxx	Surface Bolt – 24" (610mm)	4	1	1.9	\$229

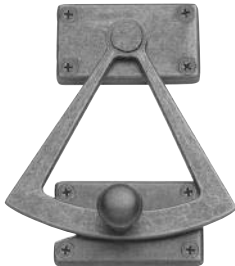
SIZES: Width of rod: .625" (16mm). Width of guide: 1.75" (44mm).

FEATURES: Ornamental cover plates conceal mounting guides underneath the bolt without marring the surface of the rod. Large 1.25" (32mm) diameter knob designed for easier operation. Heavy gauge strikes will take high abuse. 0379 have smaller guide covers than shown on picture.

PACKED: Nos. 0379: 5 in a box with Universal and Mortise Strikes and screws. All others: One in a box with Universal and Mortise Strikes and screws.

STRIKES: Additional strikes are available at an extra charge. Consult price list.

0340



003, 031, 033
044, 050, 055, 056
060, 076, 102, 112,
190, 260, 402

Item #	Description	Per Box	Wt.	
0340.xxx	Dutch Door Quadrant, 4" x 4.75"	1	0.7	\$110

SIZES: Base: 1.5" x 2.5" (38x64mm). Overall: 4" x 4.75" (102x121mm). Length of bolt: 4.25" (108mm). Bolt throw: 1.125" (28mm).

FEATURES: Fully reversible, non-handed Double the tensile strength of ordinary sand castings Self-lubricating nylon washer for positive constant tension. When bolt is in locked position, both pivot and keeper are in straight line. Specially designed tapered strike promotes secure interlock of top and bottom leaves of Dutch doors.

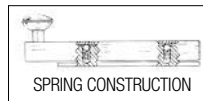
PACKED: One in a box with wood screws.

0345 Heavy Duty Dutch Door Bolt

Supplied w/0310 Strike

003, 031, 033
044, 050, 055, 056
060, 076, 102, 112,
190, 260, 402

0345



Item #	Description	Per Box	Wt.	
0345.xxx	Dutch Door Bolt	1	3.8	\$110

SIZES: Rod width: .625" (16mm). Guide width: 1.5" (38mm). Length of bolt: 4.25" (108mm). Bolt throw: 1.125" (28mm).

FEATURES: Our Dutch Door Bolt is made of heavy solid brass extrusions, precisely fitted for easier operation. When used on Dutch doors, the leaves of doors are tightly joined by chamfered rod end. Proper amount of play is provided in strike allowing for misalignment of the two leaves. This prevents bolt from binding. Large and decorative 1.25" (32mm) diameter knob is for easier handling.

PACKED: 5 in a box with proper fasteners and strike as illustrated.

STRIKES: Universal, Angle, Mortise, and Surface Strikes available at an extra charge. Consult price list.

0392 - 0395 Flush Ring Pull

0392, 0393
0394, 0395



Item #	Description	Wt.	
0392.xxx	Flush Ring Pull – 1.25" x 1.5"	0.9	\$35
0393.xxx	Flush Ring Pull – 1.625" x 1.625"	1	\$38
0394.xxx	Flush Ring Pull – 1.875" x 2.5"	2.3	\$48
0395.xxx	Flush Ring Pull – 2.5" x 3.3"	4.5	\$62

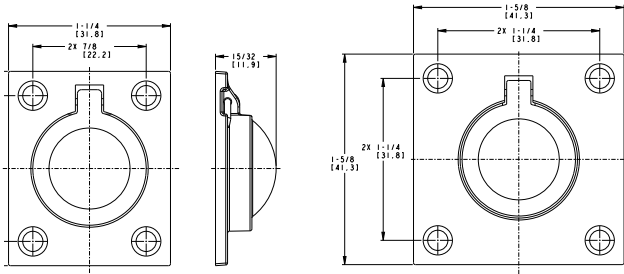
003, 031, 033
044, 050, 055, 056
060, 076, 102, 112,
190, 260, 402

FEATURES: Solid forged construction for maximum strength and durability, Flush Ring Pulls, are recommended for marine use and where flush installation is essential.

PACKED: Includes wood screws.

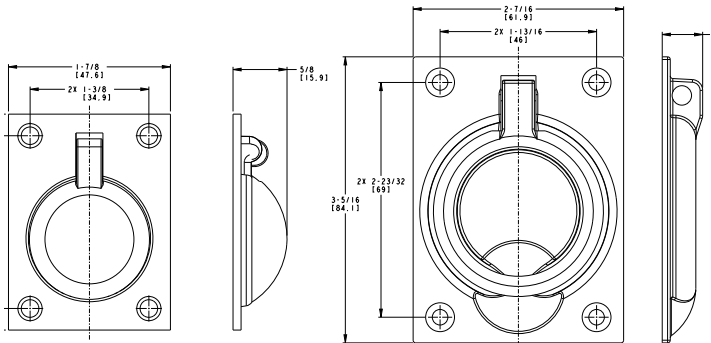
BHMA DESIGNATION: J404

NOTES: Not intended to be used as a tie down.



0392.XXX

0393.XXX

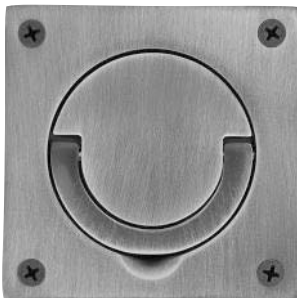


0394.XXX

0395.XXX

0397 Flush Cup Handle & Ring Pull

0397



Item #	Description	Per Box	Wt.	
0397.xxx	Flush Cup Handle (Brass) – 3.5" x 3.5"	1	0.9	\$220
0397.xxx.SOL	Flush Ring Pull for latches/locks w/solid spindle	1	0.9	\$220
0397.xxx.SWL	Flush Ring Pull for latches/locks w/swivel spindle	1	0.9	\$220

003, 031, 033
044, 050, 055, 056
060, 076, 102, 112,
190, 260, 402

FEATURES: Solid forged construction for maximum strength and durability, Flush Ring Pulls, are recommended for marine use and where flush installation is essential.

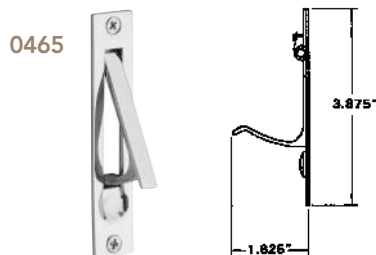
PACKED: Includes wood screws.

BHMA DESIGNATION: J404

NOTES: Not intended to be used as a tie down.

IMPORTANT: No. 0397 Flush Ring Pull is specifically designed for use with mortise locks latches. Available only for back-to-back or single mounting applications on a minimum door thickness of 1-3/4". Contact Customer Service for additional information.

0465 Edge Pull



Item #	Description	Wt.	
0465.xxx	Edge Pull – .75" x 1.625" x 3.875"	1.2	\$22

FEATURES: Specially designed spring loaded Edge Pull returns lever flush with face plate. Narrow design eliminates installation problems on thin door conditions. Intended for use on pocket door applications.

PACKED: Includes wood screws.

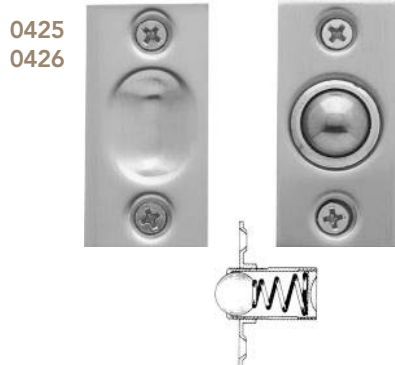
FEDERAL SPECIFICATION EQUIVALENTS: Government Type: 1861

BHMA DESIGNATION: D2801

NOTES: Not recommended for doors larger than 3.0' x 6'8" x 1.75" thick.

003, 031, 033
044, 050, 055, 056
060, 076, 102, 112,
190, 260, 402

0425, 0426 Adjustable Ball Catch



Item #	Description	Wt.	
0425.xxx	Adjustable Ball Catch (fitted in jamb)	2.1	\$30
0426.xxx	Adjustable Ball Catch (fitted in door)	2.2	\$30

SIZE: Face Plate: 1" x 2.125" (25 x 54mm)
Bore: .875" dia. x 1.25" long (22 x 32mm)
0425.xxx Strike: 1.06" x 2.125", Lip to Center: .56"
0426.xxx Strike: 1.375" x 2.125", Lip to Center: .875"

FEATURES: Dual adjustment ball bearing catch of excellent design takes advantage of rolling ball action for perfect tension. Infinite adjustments for compensation of various door clearances, swelling, shrinking, drafts and weights. Recommended for use on louvered, bi-folding, accordion, closet and light to medium service doors.

PACKED: Includes wood screws.

FEDERAL SPECIFICATION EQUIVALENTS: Government Type: 1861

BHMA DESIGNATION: D2801

NOTES: Not recommended for doors larger than 3.0' x 6'8" x 1.75" thick.

003, 031, 033, 044
050, 055, 056, 060
076, 102, 112, 140
150, 190, 260

0440 Adjustable Roller Catch



Item #	Description	Wt.	
0440.xxx	Adjustable Roller Catch	2.2	\$35

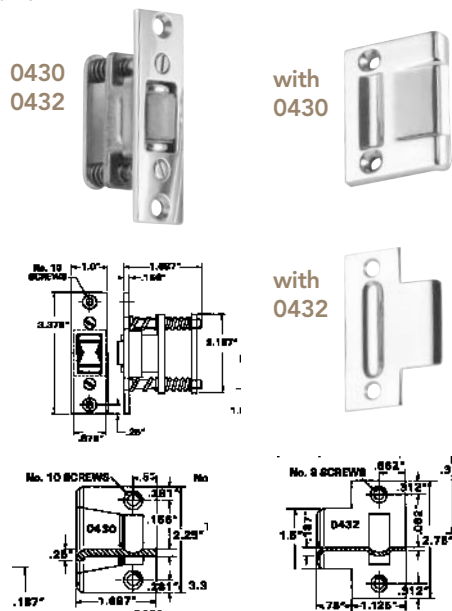
SIZE: Face Plate: 1" x 2.25" (25x57mm)
Bore: 1" dia. x 1.625" long (25x41mm)
Strike: 1.125" x 2.75" (29x70mm)
Lip to Center: 1.312" (33mm)

FEATURES: Adjustable tension heavy duty roller catches made for cabinet, closet and interior doors. (Recommended for 1.375" thick hollow core doors). Easily installed on thick doors. Smooth action. Fully adjustable from 3 lbs. (1.36kg) to 18lbs. (8.16kg) of heading pressure. Equipped with durable nylon roller for quiet operation.

PACKED: Includes fasteners.

003, 031, 033
044, 050, 060, 076
102, 112, 140, 150,
190, 260

0430, 0432 Roller Latch w/strike



Item #	Description	Wt.	
0430.xxx	Roller Latch w/ Full Lip Strike	0.7	\$112
0432.xxx	Roller Latch w/ t Strike	0.7	\$112

SIZE: 0432.xxx Lip To Center Dimension: 1.25" (32mm).

FEATURES: Designed for use on interior doors in hospitals or where quiet operation is required. Very sturdy all forged brass construction throughout. Specifically compounded rubber roller silently engages the strike and holds the door firmly closed without the loud clicks of ordinary locks. The projection of the roller is adjustable for various door clearances. Specially designed adjusting screws, mounted in the face plate, permit fine and accurate adjustment of the roller projection for various door clearances after installation. Designed to ANSI template specifications.

PACKED: Includes wood screws and machine screws.

TEMPLATE: Doors/frames to be prepared in accordance with ANSI A115.1-1976 or A115.2-1980.

ORDERING INSTRUCTIONS: Item number listed under illustrated strike designates complete latch unit and strike. (Example: 0431 includes latch mechanism and ASA strike.)

FEDERAL SPECIFICATION EQUIVALENTS: Government Type: 193

BHMA DESIGNATION: EO9091

003, 031, 033
044, 050, 060, 076
102, 112, 140, 150,
190, 260

*QUICK SHIP is available in functions and finishes shown in red.

0452 Sash Lock 

0452



Item #	Description	Wt.	
0452.xxx	Sash Lock	2.2	\$27

SIZE: Latch Base: .968" x 2.437" (25 x 62mm), Strike Base: .656" x 2.437" (15 x 62mm)

PROJECTION: .906" (23mm)

CTC OF HOLES: 2" (51mm)

FEATURES: Traditional style sash lock with heavy duty spring to provide constant tension for a non-rattling fit. Center of mounting screws conforms to industry standards.

PACKED: Includes necessary fasteners.

BHMA DESIGNATION: L05121

003, 031, 033
044, 050, 055, 056
060, 076, 102, 112,
190, 260, 402

0458 Flush Pull 

0458



Item #	Description	Wt.	
0458.xxx	Flush Pull, 1.5" x 3.5"	2.7	\$33

SIZE: Base: 1.5" x 3.5" (38 x 89mm)

THICKNESS OF FLANGE: .187" (5mm)

FEATURES: Decorative flush pull designed to be used as a sash lift or sliding door pull if pocket allows clearance. Colonial design makes it suitable for Early American interiors. Extra heavy solid forged brass construction.

NOTE: Pull has .25" projection

PACKED: Includes wood screws.

003, 031, 033
044, 050, 055, 060
076, 102, 112, 150,
190, 260, 402

0470 Sash Lift 

0470



Item #	Description	Wt.	
0470.xxx	Sash Lift, 4" x 1.125"	1	\$33

SIZE: Base: 4" x 1.125" (102 x 29mm)

PROJECTION: .1" (25mm)

PACKED: Includes wood screws.

FEDERAL SPECIFICATION EQUIVALENTS: Government Type: 1204

BHMA DESIGNATION: L05181

003, 031, 033
044, 050, 055, 060
076, 102, 112, 150,
190, 260, 402

0742, 0781, 0782 Costume Hook 

003, 031, 033, 044
050, 060, 076, 102
112, 140, 150,
190, 260, 402

Item #	Description	Wt.	
0742.xxx	Costume Hook, 5.375" (137mm) h. x 3.5" (89mm) p.	0.5	\$41
0781.xxx	Costume Hook, 2.875" (73mm) h. x 3.25" (83mm) p.	1.1	\$41
0782.xxx	Costume Hook, 2.1875" (56mm) h. x 2.5" (64mm) p.	1	\$41

HEIGHT: 2.25" (57mm)

PROJECTION: 3" (76mm)

FEDERAL SPECIFICATION EQUIVALENTS: Government Type: 1172

BHMA DESIGNATION: LO3111

0742



0781

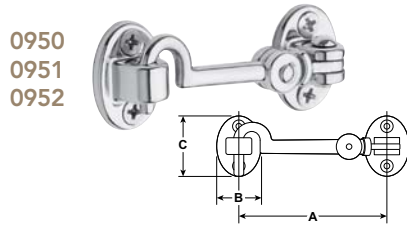


0782



*QUICK SHIP is available in functions and finishes shown in red.

0950 – 0952 Swivel Type Cabin Door Hook



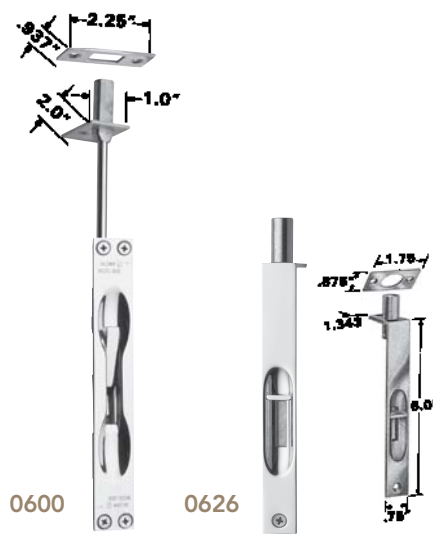
Item #	Description	Wt.	003, 031, 033 044, 050, 060, 076 102, 112, 140, 150, 190, 260, 402
0950.xxx	Cabin Door Hook – swivel type – 2.5"	1.5	\$75
0951.xxx	Cabin Door Hook – swivel type – 3.5"	3.4	\$75
0952.xxx	Cabin Door Hook – swivel type – 5.5"	5	\$75

FEATURES: These hooks are designed with a dual hinge action and tapered end to eliminate rattle and ensure secure fit.

PACKED: Complete with wood screws.

Dimensions	A	B	C
0950.xxx	2.5"	0.84"	1.125"
0951.xxx	3.5"	1.125"	1.5"
0952.xxx	5.5"	1.25"	1.6"

0600, 0626 Flush Bolts



Item #	Description	Wt.	003, 031, 033 044, 050, 055, 056 060, 076, 102, 112, 190, 260, 402
0600.xxx.12	Flush Bolt w/ 12" Rod (Standard)	1.8	\$75
0600.xxx.18	Flush Bolt w/ 18" Rod	1.8	\$75
0600.xxx.24	Flush Bolt w/ 24" Rod	1.8	\$75
0626.xxx*	Flush Bolt – 6"	3.8	\$32

0600.xxx

SIZE: Face Plate: 1" x 6.75" (25mm x 171mm), Bolt Head: .5" (13mm). Rod Backset: .75" (19mm)

FEATURES: Hot forged extension bolt having over .75" (19mm) throw. Unique push button design of lever and delay action for easy operation. Lever does not engage the bolt until it is hinged freely to 45 angle. At this position it is easy to move the bolt head. Lever snaps automatically when hinged beyond 45 angle. Made to template for easy installation in metal door frames. Use of strike optional.

PACKED: One in a box with 12" (305mm) rods standard. Bolts packed with machine/wood screws for all conditions. Lengths given are from center of bolt mechanism with bolt retracted.

FEDERAL SPECIFICATION EQUIVALENTS: Government Type: 1049

BHMA DESIGNATION: LO4081

0626.xxx

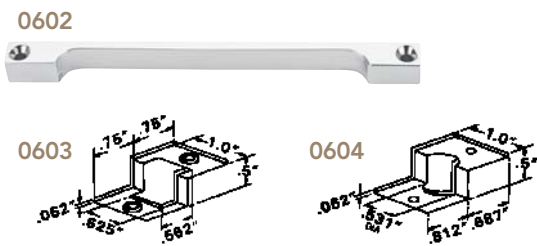
* Not available in 055 or 056, but available in 140 and 150.

SIZE: 1" Throw, .47" Backset of Rod, .5" Bolt Head Diameter.

FEATURES: 6" (152mm) length. Sharply defined edge and recess. Smooth working action with automatic holding spring for both retracted and projected positions.

PACKED: Individually poly-bagged with screws and strike, 10 in a box.

0602 - 0604 Rabbeted Parts

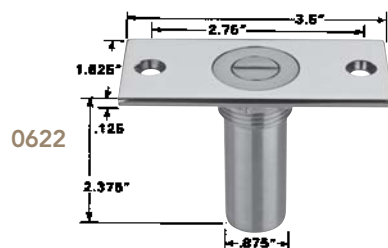


Item #	Description	Wt.	003, 031, 033 044, 050, 060, 076 102, 112, 140, 150, 190, 260, 402
0602.xxx	Rabbeted Piece for 0600 (Includes Screws)	0.8	\$72
0603.xxx	Rabbeted Strike		\$72
0604.xxx	Rabbeted Guide		\$58

0603.xxx, 0604.xxx

NOTE: All holes countersunk for no. 6F.M. screws.

0622 Locking Type Dustproof Strike



Item #	Description	Wt.	003, 031, 033 044, 050, 060, 076 102, 112, 140, 150, 190, 260, 402
0622.xxx	Dustproof Strike	0.6	\$85

FEATURES: Dustproof strike is ideal for concrete installations. Large size plate and the spread of screw holes have better holding power in concrete slabs. This dustproof strike can be used for installation in metal thresholds by removing the face plate. To install, drill 1" (25mm) diameter hole and tighten lock nut. To lock the strike for pedestrian traffic, insert a coin in slot and turn clockwise. To convert for flush bolt use, turn counterclockwise.

PACKED: Solid brass locking type dustproof strike with face plate, machine screws and expansion shields.

NOTE: For use with 0600 Flush Bolt only.

2000.xxx.0630 Kick Plate

2000.xxx.0630



Item #	Description	003, 044, 055 056, 102, 112, 190
2000.xxx.0630	6" x 30", .05" thick brass	\$299

FEATURES: Protect bottom of doors from scuffing. Holes are spaced approximately 6" on centers. Most plates supplied with Phillips head sheet metal screws to match. Plates are not beveled.
PACKED: Each plate is wrapped in strong kraft paper and supplied with matching fasteners.
PROTECTIVE COATING: All brass plates are coated with a highly durable baked-on enamel to protect the finish.

2000.xxx.0634, 2000.xxx.0830,
2000.xxx.0834 Kick Plates

2000.xxx.0634



Item #	Description	Wt.	003, 031, 044 050, 055, 056, 060 102, 112, 190
2000.xxx.0634	6" x 34", .05" thick brass		\$385
2000.xxx.0830	8" x 30", .05" thick brass		\$432
2000.xxx.0834	8" x 34", .05" thick brass		\$439

FEATURES: Protect bottom of doors from scuffing. Holes are spaced approximately 6" on centers. Most plates supplied with Phillips head sheet metal screws to match. Plates are not beveled.
PACKED: Each plate is wrapped in strong kraft paper and supplied with matching fasteners.
PROTECTIVE COATING: All brass plates are coated with a highly durable baked-on enamel to protect the finish.

2121 – 2124 Square Edge Push Plate

2121
2123
2124



Item #	Description	Wt.	003, 031, 033 044, 050, 055, 056 060, 076, 102, 112, 190, 260
2121.xxx	Square Edge Push Plate – 3" x 12"	0.5	\$52
2123.xxx	Square Edge Push Plate – 3.5" x 15"	0.9	\$52
2124.xxx	Square Edge Push Plate – 4" x 16"	1	\$52

FEATURES: Mix any door pulls and push plates shown to create your own look. Pulls are always centered on plates.
PACKED: Each plate is individually wrapped and furnished with oval head-undercut, stainless steel, sheet metal screws plated to match.
BHMA DESIGNATION: J301

2280, 2281 Nashville Push Plate

2280
2281



Item #	Description	Wt.	003, 031, 033 044, 050, 055, 056 060, 076, 102, 112, 190, 260
2280.xxx	Nashville Push Plate – 3.5" x 15"	1.9	\$150
2281.xxx	Nashville Push Plate – 3.5" x 20"	2.6	\$170

FEATURES: Mix any door pulls and push plates shown to create your own look. Pulls are always centered on plates.
PACKED: Each plate is individually wrapped and furnished with full thread wood screws.

2285 Bristol Push Plate



2285

003, 031, 033
044, 050, 060
076, 102, 112, 140,
190, 260, 402

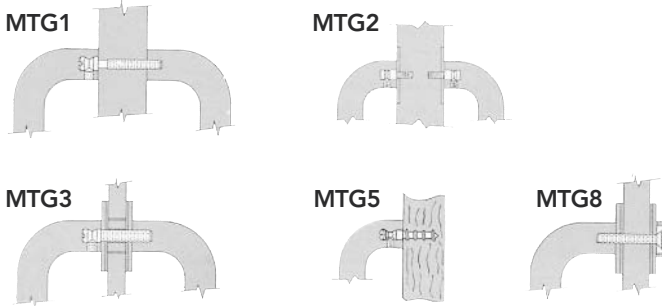
Item #	Description	Wt.	
2285.xxx	Bristol Push Plate – 2.75" x 11"	1.4	\$170

FEATURES: Mix any door pulls and push plates shown to create your own look. Pulls are always centered on plates.

PACKED: Each plate is individually wrapped and furnished with oval head-undercut, stainless steel, sheet metal screws plated to match.

Pull – Invisible Mounting Methods

Back-To-Back Applications without Push Plates only



Item #	Description	Additional Charge
xxxx.xxx.MTG1	Wood Door w/ thru Bolt, Back-to-Back Set	\$24
xxxx.xxx.MTG2	Hollow Metal Door, Back-to-Back Set	\$24
xxxx.xxx.MTG3	Glass Door Prep w/ rosettes, Back-to-Back Set	\$93
xxxx.xxx.MTG5	Wood Door, no thru Bolt, Per Pull	\$16
xxxx.xxx.MTG8	Glass Door Prep w/ rosettes, Per Pull	\$48

NOTE: MTG1 - Minimum Pull Thickness: .5"(13mm)

MTG2 - Minimum Pull Thickness: .5"(13mm), Door must be reinforced at application points.

MTG3 - Minimum Pull Thickness: .5"(13mm), Minimum Glass Thickness: 3/8", Hole Size: 7/8"

MTG5 - Minimum Pull Thickness: .5"(13mm)

MTG8 - Minimum Pull Thickness: None, Complete with screw cover

ORDERING INSTRUCTIONS: ALWAYS specify door thickness when ordering invisible mounting applications. Refer to examples when ordering pulls:

2704.xxx.MTG1 - will include two 2704 pulls and mounting hardware for specifications shown.

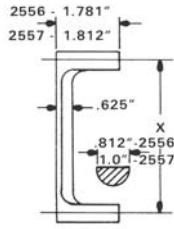
2704.xxx.MTG5 - will include one 2704 pull and mounting hardware for specifications shown.

NOTE: Set screw location will vary by style selected.

MTG1	MTG2	MTG3	MTG5	MTG8
2 Pulls Example: 2557.003 \$142 x2 (= \$284)	2 Pulls Example: 2557.003 \$142 x2 (= \$284)	2 Pulls Example: 2557.003 \$142 x2 (= \$284)	1 Pull Example: 2557.003 \$142	1 Pull Example: 2557.003 \$142
Mounting hardware for specifications shown. (\$24)	Mounting hardware for specifications shown. (\$24)	Mounting hardware for specifications shown. (\$93)	Mounting hardware for specifications shown. (\$16)	Mounting hardware for specifications shown. (\$48)
List Price Example: 2557.003.MTG1 \$308	List Price Example: 2557.003.MTG2 \$308	List Price Example: 2557.003.MTG3 \$377	List Price Example: 2557.003.MTG5 \$158	List Price Example: 2557.003.MTG8 \$190

2556, 2557 Modern

2556, 2557



003, 031, 033
044, 050, 056, 060
076, 102, 112, 140,
190, 260, 402

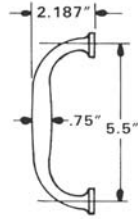
Item #	Description	
2556.xxx	Modern – 5.75" CTC	\$142
2557.xxx	Modern – 7" CTC	\$142

FEATURES: Mix any door pulls and push plates shown to create your own look. Contemporary and traditional screw covers are available to conceal heads of thru bolts.
PACKED: One pull in a box with thru bolts for 1.75" thick doors.
NOTE: For door thickness 1.825-2.25" use 6501.000.D conversion kit.
HANDICAP: Pulls designated have 1.5" minimum inside projection to meet ADA, ANSI & handicap code conditions.

2560 Utility

Not available for back-to-back mounting

2560



003, 031, 033
044, 050, 056, 060
076, 102, 112, 140,
190, 260, 402

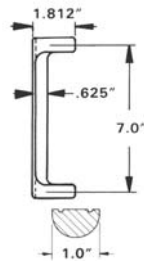
Item #	Description	
2560.xxx*	Utility – 5.5" CTC	\$142

*Not available back-to-back mounting

FEATURES: Mix any door pulls and push plates shown to create your own look. Contemporary and traditional screw covers are available to conceal heads of thru bolts.
PACKED: One pull in a box with thru bolts for 1.75" thick doors.
NOTE: For door thickness 1.825-2.25" use 6501.000.D conversion kit.
HANDICAP: Pulls designated have 1.5" minimum inside projection to meet ADA, ANSI & handicap code conditions.

2564 Tremont

2564



003, 031, 033
044, 050, 056, 060
076, 102, 112, 140,
190, 260, 402

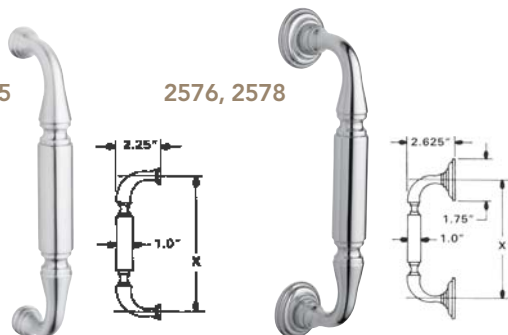
Item #	Description	
2564.xxx	Tremont – 7" CTC	\$142

FEATURES: Mix any door pulls and push plates shown to create your own look. Contemporary and traditional screw covers are available to conceal heads of thru bolts.
PACKED: One pull in a box with thru bolts for 1.75" thick doors.
NOTE: For door thickness 1.825-2.25" use 6501.000.D conversion kit.
HANDICAP: Pulls designated have 1.5" minimum inside projection to meet ADA, ANSI & handicap code conditions.

2574, 2575, 2576, 2578 Traditional

2574, 2575

2576, 2578



003, 031, 033
044, 050, 056, 060
076, 102, 112, 140,
190, 260, 402

Item #	Description	
2574.xxx	Traditional – 8" CTC	\$142
2575.xxx	Traditional – 10" CTC	\$215
2576.xxx	Traditional w/roses – 8" CTC	\$215
2578.xxx	Traditional w/roses – 10" CTC	\$215

FEATURES: Mix any door pulls and push plates shown to create your own look. Contemporary and traditional screw covers are available to conceal heads of thru bolts.
PACKED: One pull in a box with thru bolts for 1.75" thick doors.
NOTE: For door thickness 1.825-2.25" use 6501.000.D conversion kit.
HANDICAP: Pulls designated have 1.5" minimum inside projection to meet ADA, ANSI & handicap code conditions.

2585 Concord

Not available for back-to-back mounting



003, 031, 033
044, 050, 056, 060
076, 102, 112, 140,
190, 260, 402

Item #	Description	
2585.xxx*	Concord – 5.5" CTC	\$215

*Not available back-to-back mounting

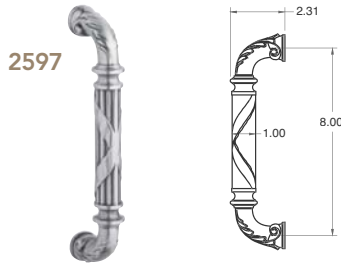
FEATURES: Mix any door pulls and push plates shown to create your own look. Contemporary and traditional screw covers are available to conceal heads of thru bolts.

PACKED: One pull in a box with thru bolts for 1.75" thick doors.

NOTE: For door thickness 1.825-2.25" use 6501.000.D conversion kit.

HANDICAP: Pulls designated have 1.5" minimum inside projection to meet ADA, ANSI & handicap code conditions.

2597 Edinburgh



003, 031, 033
044, 050, 056, 060
076, 102, 112, 140,
190, 260, 402

Item #	Description	
2597.xxx	Edinburgh – 8" CTC	\$215

FEATURES: Mix any door pulls and push plates shown to create your own look. Contemporary and traditional screw covers are available to conceal heads of thru bolts.

PACKED: One pull in a box with thru bolts for 1.75" thick doors.

NOTE: For door thickness 1.825-2.25" use 6501.000.D conversion kit.

HANDICAP: Pulls designated have 1.5" minimum inside projection to meet ADA, ANSI & handicap code conditions.

\$215

2598 Bristol



003, 031, 033
044, 050, 056, 060
076, 102, 112, 140,
190, 260, 402

Item #	Description	
2598.xxx	Bristol – 6" CTC	\$215

FEATURES: Mix any door pulls and push plates shown to create your own look. Contemporary and traditional screw covers are available to conceal heads of thru bolts.

PACKED: One pull in a box with thru bolts for 1.75" thick doors.

NOTE: For door thickness 1.825-2.25" use 6501.000.D conversion kit. Not available in back to back mounting.

HANDICAP: Pulls designated have 1.5" minimum inside projection to meet ADA, ANSI & handicap code conditions.

2617 Springfield

Not available for back-to-back mounting



003, 031, 033
044, 050, 056, 060
076, 102, 112, 140,
190, 260, 402

Item #	Description	
2617.xxx*	Springfield – 6.5" CTC	\$142

*Not available back-to-back mounting

FEATURES: Mix any door pulls and push plates shown to create your own look. Contemporary and traditional screw covers are available to conceal heads of thru bolts.

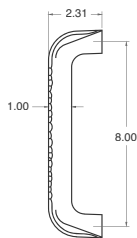
PACKED: One pull in a box with thru bolts for 1.75" thick doors.

NOTE: For door thickness 1.825-2.25" use 6501.000.D conversion kit.

HANDICAP: Pulls designated have 1.5" minimum inside projection to meet ADA, ANSI & handicap code conditions.

2674 Pasadena

2674



003, 031, 033
044, 050, 056, 060
076, 102, 112, 140,
190, 260, 402

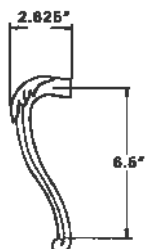
Item #	Description	
2674.xxx	Pasadena – 8" CTC	\$215

FEATURES: Mix any door pulls and push plates shown to create your own look. Contemporary and traditional screw covers are available to conceal heads of thru bolts.
PACKED: One pull in a box with thru bolts for 1.75" thick doors.
NOTE: For door thickness 1.825-2.25" use 6501.000.D conversion kit.
HANDICAP: Pulls designated have 1.5" minimum inside projection to meet ADA, ANSI & handicap code conditions.

2693 Kensington

Not available for back-to-back mounting

2693



003, 031, 033
044, 050, 056, 060
076, 102, 112, 140,
190, 260, 402

Item #	Description	
2693.xxx*	Kensington/Victoria – 6.5" CTC	\$215

*Not available back-to-back mounting

FEATURES: Mix any door pulls and push plates shown to create your own look. Contemporary and traditional screw covers are available to conceal heads of thru bolts.
PACKED: One pull in a box with thru bolts for 1.75" thick doors.
NOTE: For door thickness 1.825-2.25" use 6501.000.D conversion kit.
HANDICAP: Pulls designated have 1.5" minimum inside projection to meet ADA, ANSI & handicap code conditions.

2542 Hollywood Hills

Not available for back-to-back mounting



003, 031, 033
044, 050, 055, 056
060, 076, 102, 112,
190, 260

Item #	Description	Wt.	
2542.xxx	Hollywood Hills - 10" CTC	2.0	\$208

*Not available back-to-back mounting

FEATURES: Mix any door pulls and push plates shown to create your own look. Contemporary and traditional screw covers are available to conceal heads of thru bolts.
PACKED: One pull in a box with thru bolts for 1.75" thick doors.
NOTE: For door thickness 1.825-2.25" use 6501.000.D conversion kit.
HANDICAP: Pulls designated have 1.5" minimum inside projection to meet ADA, ANSI & handicap code conditions.

2579, 2580, 2581, 2582 Gramercy

2579, 2580



2581, 2582

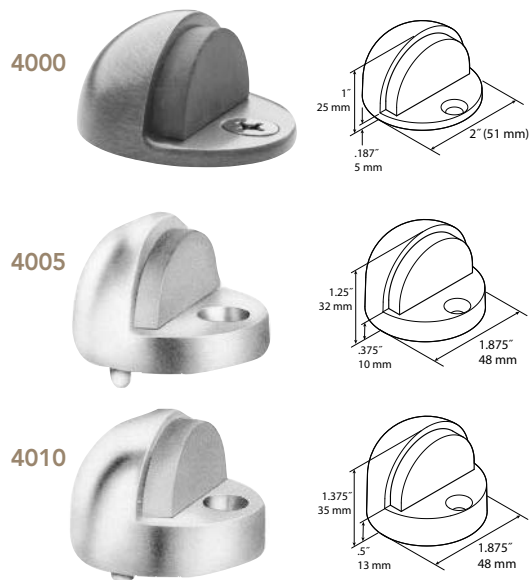


003, 031, 033, 044, M01, M02, M03,
050, 055, 056, 060, M04, M05, M06,
076, 102, 112, 190, M07, M08, M09,
260, 402 M10

Item #	Description		
2579.xxx	Gramercy 8"	\$215	\$246
2580.xxx	Gramercy Knurled 8"	\$236	\$271
2581.xxx	Gramercy 10"	\$223	\$251
2582.xxx	Gramercy Knurled 10"	\$240	\$276

FEATURES: Mix any door pulls and push plates shown to create your own look. Contemporary and traditional screw covers are available to conceal heads of thru bolts.
PACKED: One pull in a box with thru bolts for 1.75" thick doors.
NOTE: For door thickness 1.825-2.25" use 6501.000.D conversion kit.
HANDICAP: Pulls designated have 1.5" minimum inside projection to meet ADA, ANSI & handicap code conditions.

4000, 4005, 4010
Half Dome Door Bumper

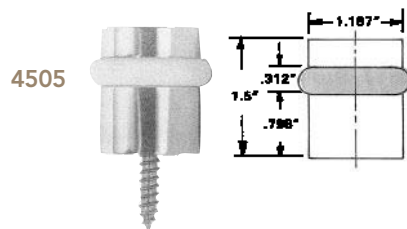


Item #	Description	Per Box	Wt.	
4000.xxx	Half Dome Door Bumper – 1"Ht.	50	12	\$20
4005.xxx	Half Dome Door Bumper – 1.25"Ht.	40	16.6	\$20
4010.xxx	Half Dome Door Bumper – 1.375"Ht.	40	19	\$20

FEATURES: "Half Dome" design minimizes stumbling hazards and cleaning interference. Thick solid rubber bumper of special design is compounded for greater resiliency.
PACKED: Individually poly-bagged with appropriate fasteners in a dispensing type carton.
FASTENERS: Supplied with fasteners for wood, plaster, and masonry installations.
FEDERAL SPECIFICATION EQUIVALENTS: Government Type: 1330/1330A
BHMA DESIGNATION: L02141 (No. 4000), L02161 (No. 4005/No. 4010)
REPLACEMENT RUBBER: No. 4000.406 for 4000/4005/4010 (Grey)

030, 031, 033
044, 050, 060, 076
102, 112, 140, 150,
190, 260, 402

4505 Universal Floor Bumper

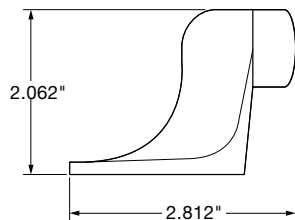


Item #	Description	Per Box	Wt.	
4505.xxx	Floor Bumper – 1.187"Dia.	10	4	\$34

FEATURES: Designed for concealed mounting applications, this contemporary floor bumper contains the mounting screw within the body of the bumper. The rubber insert is located .798" (20mm) from the bottom to function on doors with a .375" (9.5mm) to a 1" (25mm) undercut. To facilitate the replacement of the rubber guard, simply remove the top cap.
PACKED: Individually poly-bagged with appropriate fasteners.
ORDERING INSTRUCTIONS: Supplied with a wood screw and plastic anchor.
REPLACEMENT RUBBER: No. 4507.406.00035 (Grey)

003, 031, 033
044, 050, 055, 056
060, 076, 102, 112,
190, 260, 402

4510 Floor Bumper



Item #	Description	Per Box	Wt.	
4510.xxx	Floor Bumper	1	0.6	\$42

FEATURES: Forged construction floor bumper is designed for use on doors with or without thresholds. Modern and streamlined shape reduces obtrusive appearance. High projection obviates the use of inventorying different heights of floor bumpers.
PACKED: Supplied with wood and masonry fasteners.
BHMA Designation: L02181
REPLACEMENT RUBBER: No. 5202.099.00009 (Grey)

003, 031, 033
044, 050, 060, 076
102, 112, 140, 150,
190, 260, 402

4100, 4101, 4105, 4507 Lever Type Door Holder



Item #	Description	Per Box	Wt.	003, 031, 033 044, 050, 060, 076 102, 112, 140, 150, 190, 260, 402
4100.xxx	Lever Door Holder – 4”L.-Max floor clearance: 3”	1	4.4	\$38
4101.406*	Replacement tip for 4100	1		\$7
4105.xxx	Lever Door Holder – 5”L.-Max floor clearance: 4”	1	5	\$41

*Finish 406 only

FEATURES: Forged Brass construction incorporating a stainless steel hinging pin for added strength. This holder can be operated by foot. Highest quality non-marring rubber tip grips floor and holds the door at any desired opening. A spring catch holds the lever in an upright, disengaged position when holder is not in use. Specially designed rubber shoe will not loosen in service but can easily be replaced.

PACKED: Individually poly-bagged with appropriate fasteners in a dispensing type carton.

FASTENERS: Furnished standard with sheet metal screws.

Federal Specification Equivalents: Government Type: 1149A/1149B

BHMA DESIGNATION: L01391 (4100)L01381 (4105)

4041, 4045, 4050, 4055, 4057 Base Mounted Door Bumpers



Item #	Description	Per Box	Wt.	003, 031, 033 044, 050, 055, 056 060, 076, 102, 112 150, 190, 260, 402
4045.xxx	Wall Door Bumper – 3”Proj., 1.1875”Dia.	1	2	\$21
4041.406*	Replacement tip for 4045	1		\$7
4050.xxx**	Wall Door Bumper – 3.75”Proj., 1.5”Dia.	1	3	\$21
4055.xxx	Wall Door Bumper – 3.4”Proj., 1.1875”Dia.	1	2	\$21
4057.406*	Replacement tip for 4055	1		\$7

*Finish 406 only

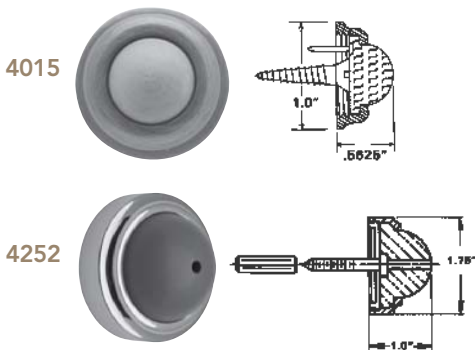
**Not available in 056

FEATURES: Solid forged brass construction for maximum strength and durability. Stem of bumper has hexagon section to facilitate fastening without damaging finish. Resilient rubber guard is replaceable. 4055.xxx is designed for quick and efficient installation by power driven tools, using socket type wrench.

PACKED: Individually poly-bagged with appropriate fasteners (1 per poly bag).

FASTENERS: Supplied with wood screw thread. **Federal Specification Equivalents:** Government Type: 1322BHMA DESIGNATION: L02031

4015, 4252 Convex Wall Bumpers



Item #	Description	Per Box	Wt.	003, 031, 033 044, 050, 055, 060 076, 102, 112, 140 150, 190, 260, 402
4015.xxx**	Wall Flush Bumper – 1”Dia.	1	0.8	\$18
4252.xxx*	Wall Flush Bumper – Convex Design	1	10	\$18

*Not available in 055 **Not available in 003

4015 FEATURES: Compact designed bumper permits installation in areas where larger bumpers are not suitable due to size or projection. Fasteners are totally concealed underneath durable rubber insert.

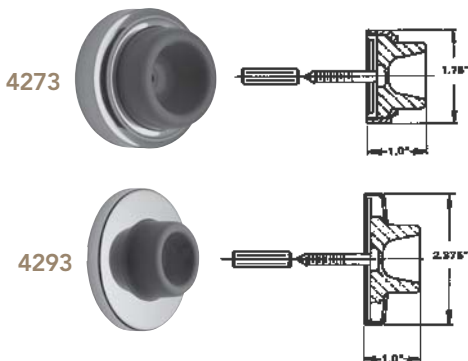
4252 FEATURES: Engineered for commercial/residential installations, this compact and contemporary designed bumper features completely concealed fasteners for an unobtrusive and screwless appearance. Supplied with wood and masonry fasteners, it is furnished unassembled to facilitate the substitution of fasteners. Designed for ease of installation, the bumper is attached onto a heavy gauge metal back plate through a threading application. For a fully theft proof installation, the use of a strap wrench for tightening or several drops of Loctite Grade A is recommended.

4252 PACKED: 50 in a box; individually poly-bagged with appropriate fasteners in a dispensing type carton.

FEDERAL SPECIFICATION EQUIVALENTS: Government Type: 1327 (4252 only)

BHMA DESIGNATION: L02101 (4015 & 4252)

4273, 4293 Concave Wall Bumpers



Item #	Description	Per Box	Wt.	003, 031, 033 044, 050, 060, 076 102, 112, 140, 150, 190, 260, 402
4273.xxx	Wall Flush Bumper – Concave Design 1.75”Dia.	1	9.6	\$18
4293.xxx***	Wall Flush Bumper – Concave Design 2.375”Dia.	1	4.5	\$18

***Not available in 402

4273 FEATURES: Concave type rubber permits knob of button type lock to strike bumper without engaging lock mechanism. Special design protects lock mechanism from damage.

4293 FEATURES: Concave type rubber permits knob of button type lock to strike bumper without engaging lock mechanism. Special design protects lock mechanism from damage.

PACKED: Individually poly-bagged with wood and masonry fasteners in a dispensing type carton.

FEDERAL SPECIFICATION EQUIVALENTS: Government Type: 1327 (4293 only)

BHMA DESIGNATION: L22251 (4273 & 4293)

*QUICK SHIP is available in functions and finishes shown in red.

MORTISE HINGE SPECIFICATIONS

FEATURES: Extruded brass, full mortise hinges are machined for precise installation and smooth movement. Knuckles are milled to a clearance of 0.010"(.25mm) to minimize vertical wear. Each hinge is beveled on the inside leaf to obtain a tight fit when viewing the hinge in a closed position, and furnished with stainless steel, rust-proof pins for added durability.

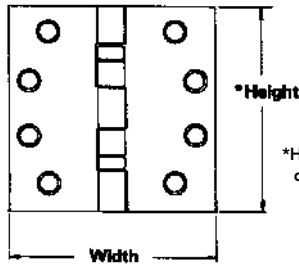
PIN DESIGN: Each pin is manufactured from precision ground Type 302, stainless steel material to prevent corrosion. The pin "floats" within the barrel of the hinge, yet is held in a stationary position. Pins can be removed by unthreading each finial and tapping the pin upward from the bottom of the barrel.

FINIAL DESIGN: Hinge finials are specially designed to thread into the top and bottom of the hinge barrel, preventing the pin from rising out of the hinge barrel. All tips are completely interchangeable to facilitate stocking and eliminate excessive inventories. Finials can be purchased separately in sets of four only. Hinges are furnished standard with button design finials.

FASTENERS: All full mortise hinges are supplied standard with appropriate size wood screws as noted on chart. Wood screws are fully threaded to the head and have an undercut head for secure installations.

BEVELED EDGE: Each Baldwin hinge is beveled on the inside leaf to obtain a tight fit when the hinge is in a closed position.

EXTRUSION: Hinges manufactured from solid brass extrusions have two inherent properties: exceptional strength and precision tolerances. Baldwin's extruded hinges are machined from a solid brass bar to exact tolerances to ensure an even wear between each knuckle. The result is a QUALITY hinge which can withstand above average door weights and stresses with maximum vertical and lateral wear performance.



*Height of hinge is always first dimension not including tip.

TEMPLATE: All full mortise hinges illustrated within this section are designed in accordance with the most current specifications established by the American National Standards Institute (ANSI).

APPLICATION: Baldwin full mortise hinges are classified as STANDARD WEIGHT for installation on doors up to 1.75"(44mm) in thickness.

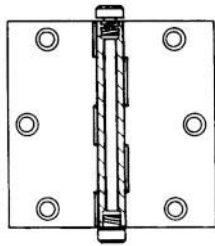
NUMBER OF HINGES: Use three hinges on doors up to and including 7.5 feet (2.3m) and one additional hinge for each additional 2.5 feet (.76m) or fraction thereof.

NON-REMOVABLE PINS (NRP): Hinges can be obtained with non-removable pins to prevent removal of hinge pins when the door is in a closed position. This special application is used when the hinge barrel is exposed to the exterior side of a building (Reverse Bevel Door Conditions). A stainless steel set screw is inserted into the barrel from the inside of the hinge (Emblem Mark Side), which intercepts a groove milled on the pin. (Not available on Hinge No. 1030). Furnished at an additional charge. Specify as follows: 1 pr 1040.003 NRP Hinge - 4"x 4"= 1040.003.NRP

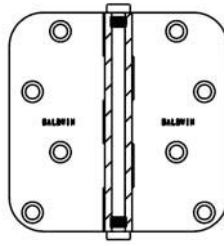
METAL DOOR APPLICATION: Machine screw packets are available to accommodate mortise hinge installation for metal doors.

- All hinges have a slight offset leaf which provides clearance of .077"(2mm) when leaves are closed and parallel.
- All hinges have template screw hole locations for use on either wood or hollow metal doors and frames.
- Pins are manufactured from precision ground, stainless steel material.
- All finials are threaded into the barrel of the hinge to prevent pin from rising.
- Finials are completely interchangeable with all full mortise hinge sizes.
- Furnished standard with Phillips head wood screws, undercut, fully threaded to the head.
- Inner leaf is beveled to ensure the tightest possible fit and enhance hinge appearance.
- Available with a Non-Removable Pin (NRP) feature (except No. 1030).

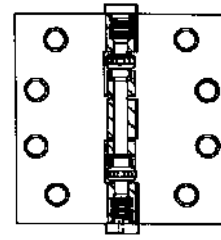
Hinge Construction



Square



Rounded



Ball Bearing

Replacement Screws

Square & Ball Bearing Hinges on METAL DOORS

Item #	Function	020, 027, 022*	003
1052.xxx.MS	METAL DOOR: 12 - 24 x 1/2" Flat Head, Phillips screws for use with 1040, 1041, 1045, 1046 & 1051 hinges	\$4	\$19
1063.xxx.MS	METAL DOOR: 10 - 24 x 1/2" Flat Head, Phillips screws for use with 1030 & 1035 hinges	\$4	\$19

*Finishes for Machine Screws: 020=030, 022=140, 027=102

Hinge Pins

Square, Rounded Ball Bearing Hinges ONLY

Item #	Description	Standard Box	Price
1030.000.PIN	Hinge pins for 1030 hinges	3	\$4
1035.000.PIN	Hinge pins for 1035 hinges	3	\$4
1040.000.PIN	Hinge pins for 1040 and 1041 hinges	3	\$4
1045.000.PIN	Hinge pins for 1045 and 1046 hinges	3	\$4
1051.000.PIN	Hinge pins for 1051 hinges	3	\$4

1030 3"x 3" – Square Corner



Item #	Description	Per Box	Wt.	
1030.xxx.I	Hinge – 3" x 3"	1 each	0.5	\$47

PACKED: One per box, each hinge poly-bagged with fasteners. Supplied with 6 – #10 Flat Head-Phillips wood screws.
NOTE: Hinge thickness: .093"

003, 031, 033
044, 050, 055, 056
060, 076, 102, 112,
190, 260, 402

1035 3.5"x 3.5" – Square Corner



Item #	Description	Per Box	Wt.	
1035.xxx.I	Hinge – 3.5" x 3.5"	1 each	0.7	\$50
1035.xxx.INRP	Hinge – 3.5" x 3.5"	1 each	0.7	\$60

PACKED: One per box, each hinge poly-bagged with fasteners. Supplied with 6 – #10 Flat Head-Phillips wood screws.
NOTE: Hinge thickness: .125"

003, 031, 033
044, 050, 055, 056
060, 076, 102, 112,
190, 260, 402

1040 4"x 4" – Square Corner



Item #	Description	Per Box	Wt.	
1040.xxx.I	Hinge – 4" x 4"	1 each	0.8	\$54
1040.xxx.INRP	Hinge – 4" x 4"	1 each	0.8	\$65

PACKED: One per box, each hinge poly-bagged with fasteners. Supplied with 8 – #12 Flat Head-Phillips wood screws.
NOTE: Hinge thickness: .130"

003, 031, 033
044, 050, 055, 056
060, 076, 102, 112,
190, 260, 402

1045 4.5"x 4.5" – Square Corner



Item #	Description	Per Box	Wt.	
1045.xxx.I	Hinge – 4.5" x 4.5"	1 each	1.0	\$58
1045.xxx.INRP	Hinge – 4.5" x 4.5"	1 each	1.0	\$68

PACKED: One per box, each hinge poly-bagged with fasteners. Supplied with 8 – #12 Flat Head-Phillips wood screws.
NOTE: Hinge thickness: .134"

003, 031, 033
044, 050, 055, 056
060, 076, 102, 112,
190, 260, 402

1035, 1090 – 1093 Hinge Finials for Square Corner



Item #	Description	Per Box	
1035.xxx.ITIP	Button tip	2 each	\$16
1090.xxx.I*	Ball tip	2 each	\$19
1091.xxx.I*	Urn tip	2 each	\$19
1092.xxx.I*	Acorn tip	2 each	\$19
1093.xxx.I*	Steep tip	2 each	\$19

* To match 402 on hinge, order finial in 102 finish.

FEATURES: Hinge finials are specially-designed to thread into the top and bottom of the hinge barrel. All finials are completely interchangeable to facilitate stocking and eliminate excessive inventories. Finials can be purchased separately in sets of 2 only.

003, 031, 033, 044
050, 055, 056, 060, 076
102, 112, 190, 260

1135 3.5"x 3.5" – 5/8" Radius Corner

1135



Item #	Description	Per Box	Wt.	003, 031, 033 044, 050, 055, 056 060, 076, 102, 112, 190, 260, 402
1135.xxx.I	5/8" Radius Corner Hinge – 3.5"x 3.5"	1 each	0.7	\$34

PACKED: One per box, each hinge poly-bagged with fasteners. Supplied with #10 x 1" Flat Head-Phillips wood screws.
NOTE: NON-REMOVABLE PINS (NRP) NOT AVAILABLE on radius corner hinges. Hinge thickness: .093"

1140 4"x 4" – 5/8" Radius Corner

1140



Item #	Description	Per Box	Wt.	003, 031, 033 044, 050, 055, 056 060, 076, 102, 112, 190, 260, 402
1140.xxx.I	5/8" Radius Corner Hinge – 4"x 4"	1 each	0.8	\$38

PACKED: One per box, each hinge poly-bagged with fasteners. Supplied with #10 x 1" Flat Head-Phillips wood screws.
NOTE: NON-REMOVABLE PINS (NRP) NOT AVAILABLE on radius corner hinges. Hinge thickness: .090"

1435 3.5"x 3.5" – 1/4" Radius Corner

1435



Item #	Description	Per Box	Wt.	003, 031, 033 044, 050, 055, 056 060, 076, 102, 112, 190, 260, 402
1435.xxx.I	1/4" Radius Corner Hinge – 3.5"x 3.5"	1 each	0.7	\$34

PACKED: One per box, each hinge poly-bagged with fasteners. Supplied with #10 x 1" Flat Head-Phillips wood screws.
NOTE: NON-REMOVABLE PINS (NRP) NOT AVAILABLE on radius corner hinges. Hinge thickness: .093"

1440 4"x 4" – 1/4" Radius Corner

1440



Item #	Description	Per Box	Wt.	003, 031, 033 044, 050, 055, 056 060, 076, 102, 112, 190, 260, 402
1440.xxx.I	1/4" Radius Corner Hinge – 4"x 4"	1 each	0.8	\$38

PACKED: One per box, each hinge poly-bagged with fasteners. Supplied with #10 x 1" Flat Head-Phillips wood screws.
NOTE: NON-REMOVABLE PINS (NRP) NOT AVAILABLE on radius corner hinges. Hinge thickness: .093"

1080, 1081, 1083 Hinge Finials for Radius Corner



1080 1081 1083

Item #	Description	003, 031, 033 044, 050, 055, 056 060, 076, 102, 112, 190, 260
1080.xxx.I*	Ball tip – Radius Corner Hinge	\$13
1081.xxx.I*	Button tip – Radius Corner Hinge	\$13
1083.xxx.I*	Steeple tip – Radius Corner Hinge	\$13
8490.xxx.RCS	Radius Corner Screws (Set of 4)	\$10

* To match 402 on hinge, order finial in 102 finish.

FEATURES: Hinge finials are specially-designed to thread into the top and bottom of the hinge barrel. All finials are completely interchangeable to facilitate stocking and eliminate excessive inventories. Finials can be purchased separately in sets of 2 only.

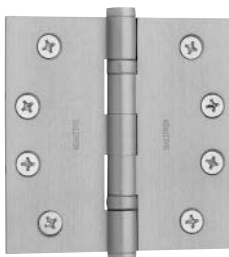
BALL BEARING HINGE SPECIFICATIONS

Each hinge is designed with two anti-friction ball bearing assemblies which are non-detachable. The balls inside each chamber are constructed from through-hardened, chrome alloy steel material to ensure a longer hinge life. The bearing races are machined from alloy steel which is then hardened and electroplated with a rust-resisting zinc-chromate finish. Our testing indicates that although this electroplate finish provides rust protection, when exposed to weather elements of exterior, the steel will eventually rust. The location of each assembly increases the vertical load capacity and greatly reduces both vertical and lateral wear of the hinge. As a result, all factors which normally contribute to hinge failure are significantly reduced. BALL BEARING HINGES ARE RECOMMENDED FOR DOORS EQUIPPED WITH DOOR CLOSERS AND/OR RECEIVING AVERAGE FREQUENCY SERVICE.

APPLICATION: STANDARD WEIGHT BALL BEARING hinges are designed for medium weight doors receiving average traffic in residential and light commercial construction. Ball bearing hinges are ALWAYS recommended for doors equipped with door closers.

1041 4"x 4" – Ball Bearing

1041



Item #	Description	Per Box	Wt.	
1041.xxx.I	Ball Bearing Hinge – 4"x 4"	1 each	0.8	\$67
1041.xxx.INRP	Ball Bearing Hinge – 4"x 4"	1 each	0.9	\$71

PACKED: One per box, each hinge poly-bagged with fasteners. Supplied with #12 x 1.25" Flat Head-Phillips wood screws.

NOTE: Hinge thickness: .130"

003, 031, 033
044, 050, 055, 056
060, 076, 102, 112,
190, 260, 402

1046 4.5"x 4.5" – Ball Bearing

1046



Item #	Description	Per Box	Wt.	
1046.xxx.I	Ball Bearing Hinge – 4.5"x 4.5"	1 each	1.0	\$70
1046.xxx.INRP	Ball Bearing Hinge – 4.5"x 4.5"	1 each	1.0	\$75

PACKED: One per box, each hinge poly-bagged with fasteners. Supplied with #12 x 1.25" Flat Head-Phillips wood screws.

NOTE: Hinge thickness: .134"

003, 031, 033
044, 050, 055, 056
060, 076, 102, 112,
190, 260, 402

1051 5"x 5" – Ball Bearing

1051



Item #	Description	Per Box	Wt.	
1051.xxx.I	Ball Bearing Hinge – 5"x 5"	1 each	1.3	\$101
1051.xxx.INRP	Ball Bearing Hinge – 5"x 5"	1 each	1.3	\$109

PACKED: One per box, each hinge poly-bagged with fasteners. Supplied with #12 x 1.25" Flat Head-Phillips wood screws.

NOTE: Hinge thickness: .146"

003, 031, 033
044, 050, 055, 056
060, 076, 102, 112,
190, 260, 402

1035, 1090 – 1093 Hinge Finials for Ball Bearing



1035

1090

1091

1092

1093

Item #	Description	Per Box	Wt.	
1035.xxx.ITIP	Button tip	2 each		\$16
1090.xxx.I*	Ball tip	2 each		\$19
1091.xxx.I*	Urn tip	2 each		\$19
1092.xxx.I*	Acorn tip	2 each		\$19
1093.xxx.I*	Steeple tip	2 each		\$19

* To match 402 on hinge, order finial in 102 finish.

FEATURES: Hinge finials are specially-designed to thread into the top and bottom of the hinge barrel. All finials are completely interchangeable to facilitate stocking and eliminate excessive inventories. Finials can be purchased separately in sets of 2 only.

003, 031, 033
044, 050, 055, 056
060, 076, 102, 112,
190, 260



**CABINET
HARDWARE**

Now Available!

Baldwin is proud to announce a completely updated Cabinet Hardware offering.

We are introducing over 400 new products, including 9 new style families.

We have focused on taking the best of our existing cabinet hardware offering, added new designs and created a beautiful and holistic collection across finishes, sizes and design.

Experience the ease of shop-ability with the new Cabinet Hardware collection.

CABINET HARDWARE NOW AVAILABLE IN THE FOLLOWING FINISHES:



003
Lifetime (PVD)
Polished Brass
**Traditional Styles Only*



031
Non-lacquered
Brass



044
Lifetime (PVD)
Satin Brass



055
Lifetime (PVD)
Polished Nickel



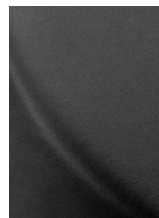
150
Satin Nickel



260
Polished Chrome



112
Venetian Bronze



190
Satin Black

4416 Octagonal Knob 



Item #	Description	003, 031, 044, 055 112, 150, 190, 260
4416.xxx.bin	Octagonal Knob – 1.5" d. x 1.14" p.	\$32

PACKED: In individual poly bags and protective cartons with .75" long truss head screws. All bags are coded with product number, description & UPC code.

4417, 4418, 4419, 4420 Octagonal Pull 



4417



4418



4419

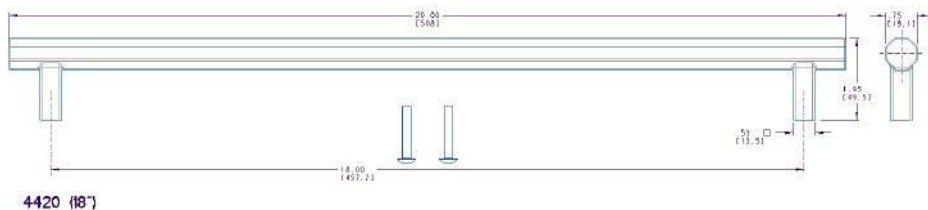


4420

Item #	Description	003, 031, 044, 055 112, 150, 190, 260
4417.xxx.bin	Octagonal Pull – 4" CTC x 1.24" p.	\$40
4418.xxx.bin	Octagonal Pull – 6" CTC x 1.24" p.	\$48
4419.xxx	Octagonal Pull - 12" CTC x 1.24" p.	\$180
4420.xxx	Octagonal Appliance Pull - 18" CTC	\$275

NOTE: 4" and 6" Pulls use 8-32 x 1" screws and mount on .75" thick doors/cabinets. 12" and 18" Pulls use 10-24 x 1.3" screws and mount on doors between .75" to 1" thick.

PACKED: All bags are coded with product number, description and UPC code. 12" and 18" Pulls ship one pull and screw pack in a box, and coded with product number, description and UPC code.



4420 (18")

*QUICK SHIP is available in functions and finishes shown in red.

4425 Rectangle Raised Knob 



Item #	Description	003, 031, 044, 055 112, 150, 190, 260
4425.xxx.bin	Raised Knob – 1.5" d. x 1.1" p.	\$32

PACKED: In individual poly bags and protective cartons with .75" long truss head screws. All bags are coded with product number, description & UPC code.

4426, 4427, 4428, 4429 Raised Pull 

4426



4427



4428



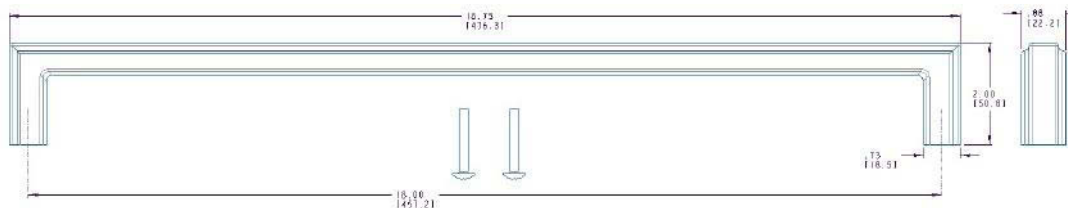
4429



Item #	Description	003, 031, 044, 055 112, 150, 190, 260
4426.xxx.bin	Raised Pull – 4" CTC x 1.38" p.	\$40
4427.xxx.bin	Raised Pull – 6" CTC x 1.38" p.	\$48
4428.xxx	Raised Pull - 12" CTC x 1.38" p.	\$180
4429.xxx	Raised Appliance Pull - 18" CTC	\$275

NOTE: 4" and 6" Pulls use 8-32 x 1" screws and mount on .75" thick doors/cabinets.
12" and 18" Pulls use 10-24 x 1.3" screws and mount on doors between .75" to 1" thick.

PACKED: All bags are coded with product number, description and UPC code.
12" and 18" Pulls ship one pull and screw pack in a box, and coded with product number, description and UPC code.



4429 (18 INCH)


*QUICK SHIP is available in functions and finishes shown in red.

4410, 4411 Bevel Knob 



Item #	Description	031, 044, 055 112, 150, 190, 260
4410.xxx.bin	Bevel Knob – 1.25" d. x 1" p.	\$24
4411.xxx.bin	Bevel Knob – 1.5" d. x 1" p.	\$32

NOTE: All knobs use 8-32 x 1" screws and mount on .75" thick doors/cabinets.
PACKED: All bags are coded with product number, description and UPC code.

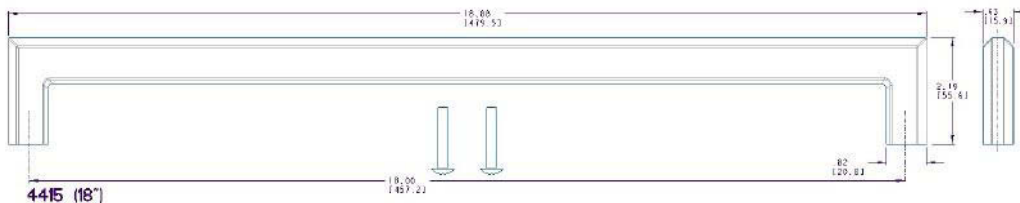
4412, 4413, 4414, 4415 Bevel Pull 



Item #	Description	031, 044, 055 112, 150, 190, 260
4412.xxx.bin	Bevel Pull – 4" CTC x 1.35" p.	\$40
4413.xxx.bin	Bevel Pull – 6" CTC x 1.35" p.	\$48
4414.xxx	Bevel Pull - 12" CTC x 1.35" p.	\$180
4415.xxx	Bevel Appliance Pull - 18" CTC	\$275

NOTE: 4" and 6" Pulls use 8-32 x 1" screws and mount on .75" thick doors/cabinets.
 12" and 18" Pulls use 10-24 x 1.3" screws and mount on doors between .75" to 1" thick.

PACKED: All bags are coded with product number, description and UPC code.
 12" and 18" Pulls ship one pull and screw pack in a box, and coded with product number, description and UPC code.



4404, 4405 Contemporary Knob 



Item #	Description	031, 044, 055 112, 150, 190, 260
4404.xxx.bin	Contemporary Knob – 1.25" d. x 1.06" p.	\$24
4405.xxx.bin	Contemporary Knob – 1.5" d. x 1.06" p.	\$32

PACKED: In individual poly bags and protective cartons with .75" long truss head screws. All bags are coded with product number, description & UPC code.

4406, 4407, 4408, 4409 Contemporary Pull 

4406



4407



4408



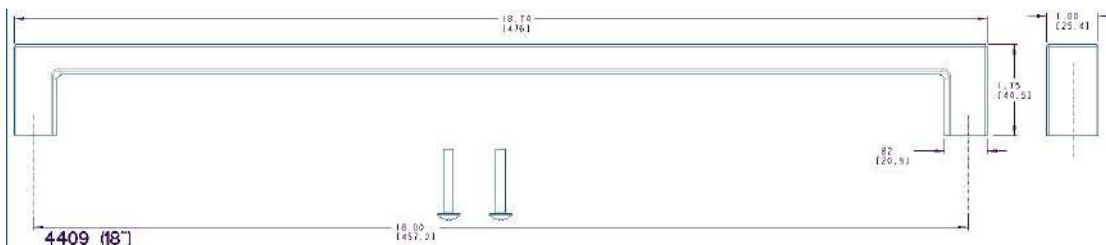
4409



Item #	Description	031, 044, 055 112, 150, 190, 260
4406.xxx.bin	Contemporary Pull – 4" CTC x 1.25" p.	\$40
4407.xxx.bin	Contemporary Pull – 6" CTC x 1.25" p.	\$48
4408.xxx	Contemporary Pull - 12" CTC x 1.25" p.	\$180
4409.xxx	Contemporary Appliance Pull - 18" CTC	\$275

NOTE: 4" and 6" Pulls use 8-32 x 1" screws and mount on .75" thick doors/cabinets. 12" and 18" Pulls use 10-24 x 1.3" screws and mount on doors between .75" to 1" thick.

PACKED: All bags are coded with product number, description and UPC code. 12" and 18" Pulls ship one pull and screw pack in a box, and coded with product number, description and UPC code.



4430 Gramercy Knob 



Item #	Description	031, 044, 055 112, 150, 190, 260
4430.xxx.bin	Gramercy Knob – 1.5" d.	\$32

NOTE: Knob comes with optional base plate to sit below knob base to best protect soft wood cabinets. All knobs use 8-32 x 1" screws and mount on .75" thick doors/cabinets.

PACKED: All bags are coded with product number, description and UPC code.



Shown with optional base plate.

4431, 4432, 4433, 4434 Gramercy Pull 

4431



4432



4433



4434



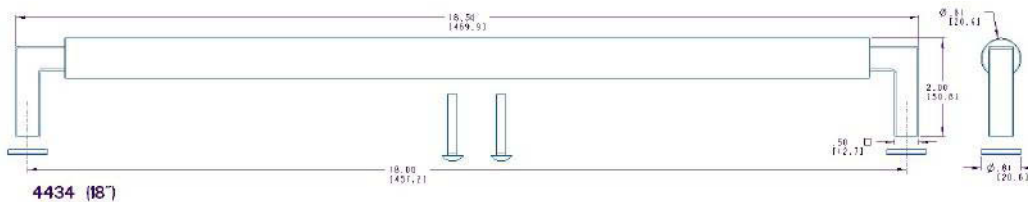
Item #	Description	031, 044, 055 112, 150, 190, 260
4431.xxx.bin	Gramercy Pull – 4" CTC x 1.34" p.	\$40
4432.xxx.bin	Gramercy Pull – 6" CTC x 1.34" p.	\$48
4433.xxx	Gramercy Pull - 12" CTC x 1.34" p.	\$180
4434.xxx	Gramercy Appliance Pull - 18" CTC	\$275

NOTE: 4" and 6" Pulls use 8-32 x 1" screws and mount on .75" thick doors/cabinets. 12" and 18" Pulls use 10-24 x 1.3" screws and mount on doors between .75" to 1" thick. Pulls come with optional base plates to sit beneath the pull legs. This is not required and is included for an optional design aesthetic.

PACKED: All bags are coded with product number, description and UPC code. 12" and 18" Pulls ship one pull and screw pack in a box, and coded with product number, description and UPC code.



Shown with optional base plates.



4970 Palm Springs Knob 



Item #	Description	003, 031, 044, 055 112, 150, 190, 260
4970.xxx.bin	Palm Springs Knob – 1.5" d. x .65" x 1.145"p.	\$32

PACKED: In individual poly bags and protective cartons with .75" long truss head screws. All bags are coded with product number, description & UPC code.

4971, 4976, 4957, 4958 Palm Springs Pulls 

4971



4976



4957



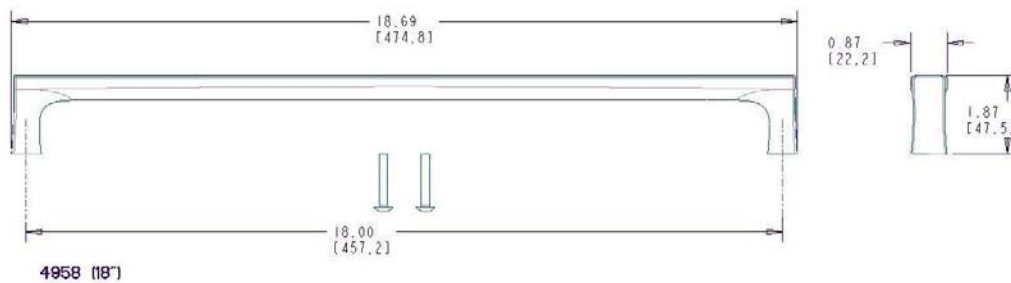
4958



Item #	Description	003, 031, 044, 055 112, 150, 190, 260
4971.xxx.bin	Palm Springs Pull – 4" CTC x 1.145" p.	\$40
4976.xxx.bin	Palm Springs Pull – 6" CTC x 1.145" p.	\$48
4957.xxx	Palm Springs Pull - 12" CTC	\$180
4958.xxx	Palm Springs Appliance Pull - 18" CTC	\$275

NOTE: 4" and 6" Pulls use 8-32 x 1" screws and mount on .75" thick doors/cabinets. 12" and 18" Pulls use 10-24 x 1.3" screws and mount on doors between .75" to 1" thick.

PACKED: All bags are coded with product number, description and UPC code. 12" and 18" Pulls ship one pull and screw pack in a box, and coded with product number, description and UPC code.



*QUICK SHIP is available in functions and finishes shown in red.

4972, 4973 Hollywood Hills Knob

4972



4973



Item #	Description	003, 031, 044, 055 112, 150, 190, 260
4972.xxx.bin	Hollywood Hills Knob - 1.25" d.	\$24
4973.xxx.bin	Hollywood Hills Knob - 1.5" d. x 1.125" p	\$32

PACKED: In individual poly bags and protective cartons with .75" long truss head screws. All boxes are coded with product number, description & UPC code.

4400, 4486, 4955, 4956 Hollywood Hills Pulls

4400



4486



4955



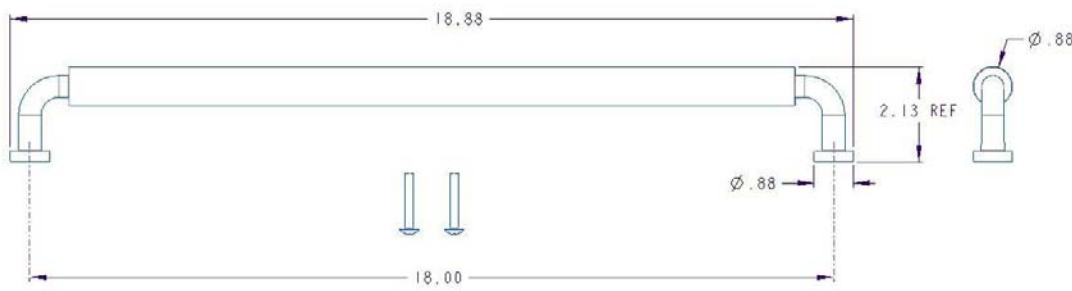
4956




Item #	Description	003, 031, 044, 055 112, 150, 190, 260
4400.xxx.bin	Hollywood Hills Pull - 4" CTC x 1.25" p	\$40
4486.xxx.bin	Hollywood Hills Pull - 6" CTC x 1.25" p	\$48
4955.xxx	Hollywood Hills Pull - 12" CTC x 1.91" p.	\$180
4956.xxx	Hollywood Hills Appliance Pull - 18" CTC	\$275

NOTE: 4" and 6" Pulls use 8-32 x 1" screws and mount on .75" thick doors/cabinets. 12" and 18" Pulls use 10-24 x 1.3" screws and mount on doors between .75" to 1" thick.

PACKED: All bags are coded with product number, description and UPC code. 12" and 18" Pulls ship one pull and screw pack in a box, and coded with product number, description and UPC code.




4956 (18")

4452, 4453 Severin Fayerman Collection A Knob 



Item #	Description	003, 031, 044, 055 112, 150, 190, 260
4452.xxx.bin	Severin A Knob - 1" d.	\$24
4453.xxx.bin	Severin A Knob - 1.25" d. x 1.13" p.	\$29

PACKED: In individual poly bags and protective cartons with .75" long truss head screws. All bags are coded with product number, description & UPC code.

4357, 4947, 4359, 4360 Severin Fayerman Collection A Pulls 

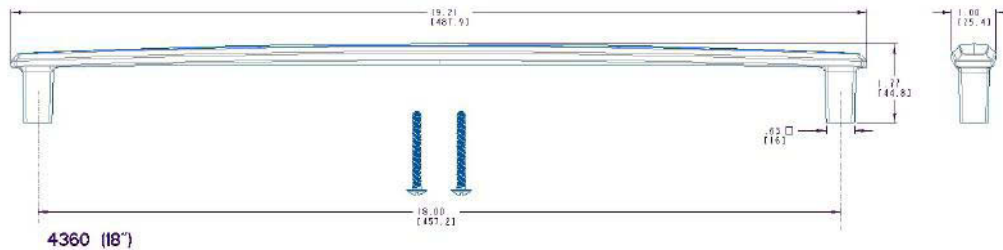


Item #	Description	003, 031, 044, 055 112, 150, 190, 260
4357.xxx.bin	Severin A Pull - 4" CTC x 1.3" p.	\$40
4947.xxx.bin	Severin A Pull - 6" CTC x 1.3" p.	\$48
4359.xxx.bin	Severin A Pull - 12" CTC x 1.3" p.	\$180
4360.xxx.bin	Severin A Appliance Pull - 18" CTC	\$275

NOTE: 4" and 6" Pulls use 8-32 x 1" screws and mount on .75" thick doors/cabinets. 12" and 18" Pulls use 10-24 x 1.3" screws and mount on doors between .75" to 1" thick.

PACKED: All bags are coded with product number, description and UPC code. 12" and 18" Pulls ship one pull and screw pack in a box, and coded with product number, description and UPC code.

Dimensions	Mount CTC	Face Width
4359	12"	13.21"
4360	18"	19.21"



4623 Modern Knob 



Item #	Description	031, 044, 055 112, 150, 190, 260
4623.xxx.bin	Modern Knob – 1.5" d. x 1.07" p.	\$32

NOTE: Knobs use 8-32 x 1" screws and mount on .75" thick doors/cabinets.

PACKED: All boxes are coded with product number, description and UPC code.

4624, 4625 Modern Pull 

4624



4625



Item #	Description	031, 044, 055 112, 150, 190, 260
4624.xxx.bin	Modern Pull – 4" CTC x 1.07" p.	\$40
4625.xxx.bin	Modern Pull – 6" CTC x 1.07" p.	\$48

NOTE: Pulls use 8-32 x 1" screws and mount on .75" thick doors/cabinets. The 4624 Pull can accommodate a pre-drilled 3", 3.5" and 4" CTC widths.

PACKED: All boxes are coded with product number, description and UPC code.

4620, 4621, 4622 Edge Pull 

4620



4621




4622



Item #	Description	003, 044, 055 112, 150, 190, 260
4620.xxx.bin	Edge Pull – 2" CTC x 1.125" p.	\$29
4621.xxx.bin	Edge Pull – 4" CTC x 1.125" p.	\$40
4622.xxx.bin	Edge Pull – 6" CTC x 1.125" p.	\$48

NOTE: Pulls use 8-32 x 1" screws and mount on .75" thick doors/cabinets.

PACKED: All boxes are coded with product number, description and UPC code.

4402, 4403 Tulip Knob 

4402



4403



Item #	Description	003, 031, 044, 055 112, 150, 190, 260
4402.xxx.bin	Tulip Knob - 1.25"d. x 1.2" p.	\$24
4403.xxx.bin	Tulip Knob - 1.5"d. x 1.2" p.	\$29

NOTE: All knobs use 8-32 x 1" screws and mount on .75" thick doors/cabinets.
PACKED: All bags are coded with product number, description and UPC code.

4454, 4456 Severin Fayerman Collection C Knob 

4454



4456



Item #	Description	003, 031, 044, 055 112, 150, 190, 260
4454.xxx.bin	Severin C Knob - 1" d.	\$22
4456.xxx.bin	Severin C Knob - 1.32"d. x 1.24" p.	\$26

NOTE: All knobs use 8-32 x 1" screws and mount on .75" thick doors/cabinets.
PACKED: All bags are coded with product number, description and UPC code.

4490, 4491 Dominion Knob 

4490
4491



Item #	Description	003, 031, 044, 055 112, 150, 190, 260
4490.xxx.bin	Dominion Knob - 1"d. x 1.0" p.	\$20
4491.xxx.bin	Dominion Knob - 1.25"d. x 1.0" p.	\$22

NOTE: Knobs use 8-32 x 1" screws and mount on .75" thick doors/cabinets.
PACKED: All bags are coded with product number, description and UPC code.

4704, 4706 Classic Knob 

4704
4706



Item #	Description	003, 031, 044, 055 112, 150, 190, 260
4704.xxx.bin	Classic Knob - 1" d. x .937" p.	\$20
4706.xxx.bin	Classic Knob - 1.25" d. x 1.157" p.	\$22

NOTE: Knobs use 8-32 x 1" screws and mount on .75" thick doors/cabinets.
PACKED: All bags are coded with product number, description and UPC code.

4910, 4913 Oval Knob 

4910
4913



Item #	Description	003, 031, 044, 055 112, 150, 190, 260
4910.xxx.bin	Oval Knob - 1.125"d. x .75" x 1.1" p.	\$20
4913.xxx.bin	Oval Knob - 1.312"d. x 1" x 1.4" p.	\$22

NOTE: Knobs use 8-32 x 1" screws and mount on .75" thick doors/cabinets.
PACKED: All bags are coded with product number, description and UPC code.
5/8" diameter at base

4960, 4961 Spherical Knob 

4960
4961



Item #	Description	030, 055, 102 112, 150, 260
4960.xxx.bin	Spherical Knob - 1" d. x 1.312" p.	\$20
4961.xxx.bin	Spherical Knob - 1.25" d. x 1.562" p.	\$22

NOTE: Knobs use 8-32 x 1" screws and mount on .75" thick doors/cabinets.
PACKED: All bags are coded with product number, description and UPC code.

*QUICK SHIP is available in functions and finishes shown in red.

4421, 4422 Transitional Cup Pull 

4421



4422



Item #	Description	003, 031, 044, 055 112, 150, 190, 260
4421.xxx.bin	Transitional Cup Pull – 4" CTC	\$55
4422.xxx.bin	Transitional Cup – 6" CTC	\$72

NOTE: Pulls use 8-32 x 1" screws and mount on .75" thick doors/cabinets.
PACKED: All boxes are coded with product number, description and UPC code.

4424 Cup Pull 



Item #	Description	003, 031, 044, 055 112, 150, 190, 260
4424.xxx.bin	Cup Pull – 4" CTC x 1.2" p.	33

NOTE: Pulls use 8-32 x 1" screws and mount on .75" thick doors/cabinets.
PACKED: All bags are coded with product number, description and UPC code.

4480, 4401 Oval Pull 

4480



4401



Item #	Description	003, 031, 044, 055 112, 150, 190, 260
4480.xxx.bin	Oval Pull – 4" CTC x 1.2" p.	\$29
4401.xxx.bin	Oval Pull – 6" CTC x 1.2" p.t	\$34

NOTE: Pulls use 8-32 x 1" screws and mount on .75" thick doors/cabinets.
PACKED: All bags are coded with product number, description and UPC code.

4964, 4946 Colonial Pull 

4964



4946



Item #	Description	003, 031, 044, 055 112, 150, 190, 260
4964.xxx.bin	Colonial Pull - 4" CTC x 1.6" p.	\$37
4946.xxx.bin	Colonial Pull - 6" CTC x 1.6" p.	\$48

NOTE: Pulls use 8-32 x 1" screws and mount on .75" thick doors/cabinets.
PACKED: All bags are coded with product number, description and UPC code.

4362, 4364, 4365, 4395 Severin Fayerman Collection B Pulls 

4362



4395



4364



4365

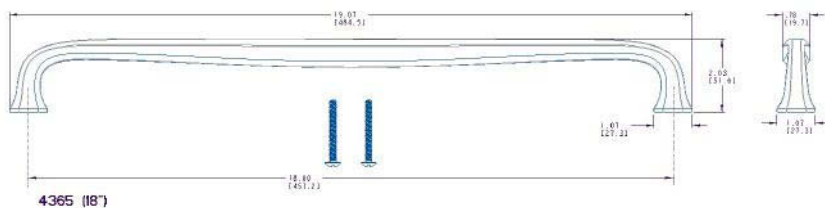


Item #	Description	003, 031, 044, 055 112, 150, 190, 260
4362.xxx.bin	Severin B Pull - 4" CTC x 1.5" p.	\$40
4395.xxx.bin	Severin B Pull - 6" CTC x 1.5" p.	\$48
4364.xxx	Severin B Pull - 12" CTC x 1.5" p.	\$180
4365.xxx	Severin B Appliance Pull - 18" CTC	\$275

NOTE: 4" and 6" Pulls use 8-32 x 1" screws and mount on .75" thick doors/cabinets.
 12" and 18" Pulls use 10-24 X 1.3" screws and mount on doors between .75" to 1" thick.

PACKED: All bags are coded with product number, description and UPC code.
 12" and 18" Pulls ship one pull and screw pack in a box, and coded with product number, description and UPC code.

Dimensions	Mount CTC	Face Width	Face Height
4364	12"	12.9"	0.9"
4365	18"	19.1"	1.07"



*QUICK SHIP is available in functions and finishes shown in red.

4926, 4927 Contemporary Back Plate 



Item #	Description	003, 031, 044, 055 112, 150, 190, 260
4926.xxx.bin	Cont. Back Plate – 4" CTC	\$20
4927.xxx.bin	Cont. Back Plate – 6" CTC	\$24

NOTE: Pair with any 4" or 6" CTC pull.
PACKED: All bags are coded with product number, description and UPC code.

4940, 4941 Transitional Back Plate 



Item #	Description	003, 031, 044, 055 112, 150, 190, 260
4940.xxx.bin	Trans. Back Plate – 4" CTC	\$20
4941.xxx.bin	Trans. Back Plate – 6" CTC	\$24

NOTE: Pair with any 4" or 6" CTC pull.
PACKED: All bags are coded with product number, description and UPC code.

4902 Knob Back Plate



Item #	Description	003, 031, 044, 055 112, 150, 190, 260
4902.xxx.bin	Knob Back Plate – 1.5" d.	\$16

PACKED: In individual polybags. All bags are coded with product number, description and UPC code.

NUMERICAL INDEX

0012.xxx	204	0415.xxx	71	0530.004.A	66	1135.xxx.I	225	4359.xxx	236
0014.xxx	204	0416.xxx	71	531.004	66	1140.xxx.I	225	4360.xxx	236
0015.xxx	204	417.022	71	0531.004.A	66	1327.009	64	4362.xxx.bin	240
0017.xxx	204	0418.xxx	68	532.004	66	1435.xxx.I	225	4364.xxx	240
50.324	204	0418.xxx.LTP	68	0532.004.A	66	1440.xxx.I	225	4365.xxx	240
52.324	204	0419.xxx	68	533.004	66	2000.xxx.0630	215	4395.xxx.bin	240
0102.xxx	205	0421.xxx	71	0533.004.A	66	2000.xxx.0634	215	4400.xxx.bin	235
0103.xxx	205	0422.xxx	71	539.004	66	2000.xxx.0830	215	4401.xxx.bin	239
0105.xxx	205	0423.xxx	71	0600.xxx.12	214	2000.xxx.0834	215	4402.xxx.bin	238
0113.xxx	205	0425.xxx	211	0600.xxx.18	214	2121.xxx	215	4403.xxx.bin	238
0116.xxx	205	0426.xxx	211	0600.xxx.24	214	2123.xxx	215	4404.xxx.bin	232
0129.xxx	72	0430.xxx	211	0602.xxx	214	2124.xxx	215	4405.xxx.bin	232
0155.xxx	206	0432.xxx	211	0603.xxx	214	2280.xxx	215	4406.xxx.bin	232
0156.xxx	206	0440.xxx	211	0604.xxx	214	2281.xxx	215	4407.xxx.bin	232
0174.xxx	72	0452.xxx	212	0622.xxx	214	2285.xxx	216	4408.xxx.bin	232
0175.xxx	72	0458.xxx	212	0626.xxx	214	2542.xxx	219	4409.xxx.bin	232
0176.xxx	72	0465.xxx	211	0742.xxx	213	2556.xxx	217	4410.xxx.bin	231
0184.xxx	206	0470.xxx	212	0781.xxx	213	2557.xxx	217	4411.xxx.bin	231
0185.xxx	206	509.004	66	0782.xxx	213	2560.xxx	217	4412.xxx.bin	231
0195.xxx	206	0509.004.A	66	0950.xxx	214	2564.xxx	217	4413.xxx.bin	231
0250.xxx	208	510.004	66	0951.xxx	214	2574.xxx	217	4414.xxx.bin	231
0310.xxx.ANGL	208	0510.004.A	66	0952.xxx	214	2575.xxx	217	4415.xxx.bin	231
0310.xxx.HDAS	208	511.004	66	1030.000.PIN	223	2579.xxx	219	4416.xxx.bin	229
0310.xxx.MORT	208	0511.004.A	66	1030.xxx.I	224	2581.xxx	219	4417.xxx.bin	229
0310.xxx.SURF	208	512.004	66	1035.000.PIN	223	2581.xxx	219	4418.xxx.bin	229
0310.xxx.UNIV	208	0512.004.A	66	1035.xxx.I	224	2582.xxx	219	4419.xxx	229
0320.xxx.MORT	208	513.004	66	1035.xxx.INRP	224	2576.xxx	217	4420.xxx	229
0320.xxx.UNIV	208	0513.004.A	66	1035.xxx.ITIP	224	2578.xxx	217	4421.xxx.bin	239
0321.xxx	208	514.004	66	1040.000.PIN	223	2585.xxx	218	4422.xxx.bin	239
0322.xxx	208	0514.004.A	66	1040.xxx.I	224	2597.xxx	218	4423.xxx.bin	249
0340.xxx	209	515.004	66	1040.xxx.INRP	224	2598.xxx	218	4424.xxx.bin	239
0345.xxx	209	0515.004.A	66	1041.xxx.I	226	2617.xxx	218	4425.xxx.bin	230
0379.xxx	209	516.004	66	1041.xxx.INRP	226	2674.xxx	219	4426.xxx.bin	230
0380.xxx	209	0516.004.A	66	1045.000.PIN	223	2693.xxx	219	4427.xxx.bin	230
0381.xxx	209	517.004	66	1045.xxx.I	224	4000.xxx	220	4428.xxx.bin	230
0382.xxx	209	519.004	66	1045.xxx.INRP	224	4005.xxx	220	4429.xxx.bin	230
0383.xxx	209	0519.004.A	66	1046.xxx.I	226	4010.xxx	220	4430.xxx.bin	233
0392.xxx	210	0520.004.A	66	1046.xxx.INRP	226	4015.xxx	221	4431.xxx.bin	233
0393.xxx	210	520.004	66	1051.000.PIN	223	4041.406	221	4432.xxx.bin	233
0394.xxx	210	521.004	66	1051.xxx.I	226	4045.xxx	221	4433.xxx.bin	233
0395.xxx	210	0521.004.A	66	1051.xxx.INRP	226	4050.xxx	221	4434.xxx.bin	233
0397.xxx	210	522.004	66	1052.xxx.MS	223	4055.xxx	221	4453.xxx.bin	236 / 244
0403.xxx	71	0522.004.A	66	1063.xxx.MS	223	4057.406	234	4454.xxx.bin	238
0404.xxx	71	523.004	66	1080.xxx.I	225	4100.xxx	221	4456.xxx.bin	238
0405.xxx	71	524.004	66	1081.xxx.I	225	4101.406	221	4479.xxx.bin	250
0406.xx	71	0524.004.A	66	1083.xxx.I	225	4105.xxx	221	4480.xxx.bin	239
0407.xxx	71	525.004	66	1090.xxx.I	224	4252.xxx	221	4485.xxx.bin	251
0413.xxx	68	0525.004.A	66	1091.xxx.I	224	4273.xxx	221	4486.xxx.bin	235
0413.xxx.LTP	68	527.004	66	1092.xxx.I	224	4293.xxx	221	4490.xxx.bin	238
0414.xxx	68	530.004	66	1093.xxx.I	224	4357.xxx.bin	236	4491.xxx.bin	238

4505.xxx	220	5017.xxx	51	5077.xxx A La Carte	38	5125.xxx A La Carte	43	5199	64
4510.xxx	220	5020.xxx A La Carte	35	5077.xxx Pre-Configured	17	5125.xxx Pre-Configured	21	5205.xxx	28
4620.xxx.bin	237	5020.xxx Pre-Configured	14	5078.xxx	53	5127.xxx	52	5206.xxx	28
4621.xxx.bin	237	5021.xxx	52	5080.xxx A La Carte	38	5129.xxx	53	5208.xxx.ENTR	28
4622.xxx.bin	237	5023.xxx A La Carte	35	5080.xxx Pre-Configured	17	5134.xxx	53	5209.xxx.ENTR	28
4623.xxx.bin	237	5023.xxx Pre-Configured	14	5081.xxx.A	72	5137.xxx A La Carte	43	5210.xxx	28
4624.xxx.bin	237	5024.xxx A La Carte	35	5082.xxx.A	72	5137.xxx Pre-Configured	22	5211.xxx	28
4625.xxx.bin	237	5024.xxx Pre-Configured	14	5084.009.0002	64	5138.xxx A La Carte	43	5213.xxx.ENTR	28
4704.xxx.bin	238	5025.xxx A La Carte	35	5084.xxx.A	72	5138.xxx Pre-Configured	22	5214.xxx.ENTR	28
4860.xxx	207	5025.xxx Pre-Configured	14	5090.020.A	67	5141.xxx A La Carte	43	5215.xxx	28
4861.xxx	207	5028.xxx	52	5091.004	146	5141.xxx Pre-Configured	22	5216.xxx	28
4862.xxx	207	5030.xxx A La Carte	36	5091.004.A	146	5142.xxx	53	5218.xxx.ENTR	28
4863.xxx	207	5030.xxx Pre-Configured	15	5092.004	146	5142.xxx	53	5219.xxx.ENTR	28
4902.xxx.bin	241	5032.xxx	51	5092.004.A	146	5145.xxx	52	5225.xxx	28
4910.xxx.bin	238	5035.xxx	53	5097.009.N	67	5146.xxx	51	5226.xxx	28
4913.xxx.bin	238	5038.xxx	53	5098.004.A	67	5147.xxx	54	5228.xxx.ENTR	28
4926.xxx.bin	241	5041.xxx A La Carte	36	5098.004.N	67	5148.xxx	51	5229.xxx.ENTR	28
4927.xxx.bin	241	5041.xxx Pre-Configured	15	5098.009.N	67	5149.xxx	51	5230.xxx	29
4940.xxx.bin	241	5042.xxx	53	5099.004	146	5151.xxx	52	5231.xxx	29
4941.xxx.bin	241	5046.xxx	51	5101.xxx A La Carte	40	5152.xxx A La Carte	44	5233.xxx.ENTR	29
4946.xxx.bin	240	5047.xxx	54	5103.xxx A La Carte	40	5152.xxx Pre-Configured	22	5234.xxx.ENTR	29
4947.xxx.bin	236	5048.xxx	51	5103.xxx Pre-Configured	19	5155.xxx	52	5237.xxx Knob	29
4955.xxx	235	5054.xxx A La Carte	36	5104.xxx A La Carte	40	5156.xxx	53	5237.xxx Lever	30
4956.xxx	235	5055.xxx A La Carte	36	5104.xxx Pre-Configured	19	5157.xxx	53	5238.xxx Knob	29
4957.xxx	234	5055.xxx Pre-Configured	15	5105.xxx A La Carte	40	5158.xxx	54	5238.xxx Lever	30
4958.xxx	234	5056.xxx	54	5105.xxx Pre-Configured	19	5160.xxx	54	5239.xxx.ENTR	29
4960.xxx.bin	238	5057.xxx A La Carte	37	5106.xxx A La Carte	41	5161.xxx A La Carte	44	5239.xxx.RENT(LENT)	30
4961.xxx.bin	238	5057.xxx Pre-Configured	15	5106.xxx Pre-Configured	19	5161.xxx Pre-Configured	23	5241.xxx.ENTR	29
4964.xxx.bin	240	5058.xxx	54	5108.xxx A La Carte	41	5162.xxx A La Carte	44	5241.xxx.RENT(LENT)	30
4970.xxx.bin	234	5064.xxx A La Carte	37	5108.xxx Pre-Configured	20	5162.xxx Pre-Configured	23	5245.xxx	31
4971.xxx.bin	234	5064.xxx Pre-Configured	16	5112.xxx A La Carte	41	5164.xxx A La Carte	44	5246.xxx	31
4972.xxx.bin	235	5066.xxx A La Carte	37	5112.xxx Pre-Configured	20	5164.xxx Pre-Configured	23	5248.xxx.RENT(LENT)	31
4973.xxx	235	5066.xxx Pre-Configured	16	5113.xxx A La Carte	41	5165.xxx A La Carte	45	5249.xxx.RENT(LENT)	31
4973.xxx.bin	235	5068.xxx A La Carte	38	5113.xxx Pre-Configured	20	5165.xxx Pre-Configured	23	5250.xxx	29
4976.xxx.bin	234	5069.xxx A La Carte	38	5116.xxx A La Carte	42	5166.xxx A La Carte	45	5251.xxx	29
5000.xxx A La Carte	34	5069.xxx Pre-Configured	16	5116.xxx Pre-Configured	20	5166.xxx Pre-Configured	24	5253.xxx.ENTR	29
5000.xxx Pre-Configured	13	5070.xxx	52	5118.xxx A La Carte	42	5167.xxx A La Carte	45	5254.xxx.ENTR	29
5002.xxx	51	5073.xxx A La Carte	38	5118.xxx Pre-Configured	21	5173.xxx A La Carte	45	5255.xxx	31
5004.xxx	51	5073.xxx Pre-Configured	17	5121.xxx A La Carte	42	5173.xxx Pre-Configured	24	5256.xxx	31
5006.xxx	51	5075.xxx	52	5121.xxx Pre-Configured	21	5174.022	71	5258.xxx.RENT(LENT)	31
5010.xxx	52	5076.xxx	53	5122.xxx A La Carte	42	5187.xxx	74	5259.xxx.RENT(LENT)	31
5011.xxx A La Carte	34	5077.004	146	5122.xxx Pre-Configured	21	5190.xxx A La Carte	46	5260.xxx	30
5011.xxx Pre-Configured	13			5123.xxx	52	5190.xxx Pre-Configured	24	5261.xxx	30
5013.xxx A La Carte	34					5194.xxx.A	62	5263.xxx	30
5013.xxx Pre-Configured	13					5197.xxx	62	5264.xxx	30
5015.xxx A La Carte	34							5285.xxx	30
5015.xxx Pre-Configured	13							5286.xxx	30
								5288.xxx.RENT(LENT)	30
								5289.xxx.RENT(LENT)	30
								5300.xxx.9	92

5300.xxx.EFLS	65	5600.xxx.R(L,RR,LR)	197	6066.xxx.Suffix	149	6501.xxx.15L	146	6721.xxx	70
5326	73	5600.xxx.RFD(L, LFD)	197	6070.xxx.Suffix	154	6501.xxx.15M	146	6725.xxx	70
5397.xxx.15E	146	5601.xxx	198	6075.xxx.Suffix	149	6501.xxx.15N	146	6729.xxx	70
5397.xxx.15F	146	5602.xxx.R(L,RR,LR)	197	6080.xxx.0004	158	6501.xxx.15O	146	6732.xxx	69
5399.xxx.A	92	5602.xxx.RFD(L, LFD)	197	6091.xxx.0004	158	6502.xxx	134	6733.xxx	69
5399.xxx.B	92	5603.xxx	198	6100.xxx.Suffix	154	6503.009	64	6735.xxx	70
5399.xxx.C	92	5604.xxx.R(L,RR,LR)	197	6110.xxx.0004	158	6504.009	64	6737.xxx	163
5399.xxx.D	92	5604.xxx.RFD(L, LFD)	197	6110.xxx.Suffix	154	6506.xxx	132	6738.xxx	163
5399.xxx.G	92	5606.xxx	198	6130.xxx.Suffix	154	6513.xxx	125	6739.xxx	163
5399.xxx.H	92	5608.xxx.RSKC(LSKC)	198	6150.xxx	155	6514.xxx.KT	126	6743.xxx	163
5399.xxx.K	92	5626.xxx.RSKC(LSKC)	198	6150.xxx.0004	155	6514.xxx.KT	136	6748.xxx.A	72
5399.xxx.M	92	5628.xxx	198	6150.xxx.0084	158	6530.xxx	141	6749.xxx.A	72
5399.xxx.N	92	5629.xxx.RSKC(LSKC)	198	6160.xxx	155	6535.xxx	131	6750.xxx	69
5445V.xxx A La Carte	46	5633.xxx	198	6301.xxx.0004	158	6542.xxx	144	6751.xxx	69
5445V.xxx Pre-Configured	24	5634.xxx.R(L,RR,LR)	197	6301.xxx.0084	149	6544.xxx	129	6754.xxx	163
5447V.xxx A La Carte	46	5641.xxx	198	6301.xxx.Suffix	149	6547.xxx	138	6755.xxx	163
5447V.xxx Pre-Configured	25	5642.xxx	198	6310.xxx.0004	158	6552.xxx	116	6756.xxx	69
5452V.xxx A La Carte	46	5643.xxx	198	6310.xxx.0084	158	6553.xxx	134	6757.xxx	163
5452V.xxx Pre-Configured	25	5671.xxx	198	6310.xxx.Suffix	149	6554.xxx	117	6760.xxx	69
5455V.xxx A La Carte	47	5672.xxx	198	6315.xxx.Suffix	154	6560.xxx	135	6761.xxx	163
5455V.xxx Pre-Configured	25	5673.xxx	198	6318.xxx.0004	158	6571.xxx	127	6762.xxx	69
5485V.xxx A La Carte	47	5674.xxx.RSKC(LSKC)	198	6318.xxx.0084	158	6573.xxx	143	6766.xxx	69
5485V.xxx Pre-Configured	25	5753.xxx	199	6318.xxx.Suffix	154	6599.xxx.THKA	145	6767.xxx	116
5510.xxx.(ASA, .FLS)	63	5754.xxx	199	6320.xxx.Suffix	149	6599.xxx.THKB	145	6768.xxx	163
5510.xxx.0030	64	5755.xxx	199	6321.xxx.Suffix	149	6599.xxx.THKC	145	6789.xxx	128
5510.xxx.ASTR	65	5758.xxx	199	6325.xxx.Suffix	149	6599.xxx.THKD	145	6790.xxx	133
5510.xxx.E158	65	6001.xxx.Suffix	149	6338.xxx.XXXX	157	6599.xxx.THKE	145	6791.xxx	129
5510.xxx.E178	65	6010.xxx.0004	158	6339.xxx.XXXX	157	6599.xxx.THKF	145	6793.xxx	138
5510.xxx.E214	65	6010.xxx.Suffix	154	6340.xxx	157	6599.xxx.THKG	145	6794.xxx	127
5510.xxx.FSTR	65	6020.xxx.Suffix	149	6340.xxx.R(L)	157	6599.xxx.THKH	145	6795.xxx	135
5510.xxx.P(ASA, .FLS)	63	6021.xxx.0004	167	6341.xxx	157	6599.xxx.THKI	145	6796.xxx	144
5510.xxx.TSTR	65	6021.xxx.Suffix	149	6341.xxx.R(L)	157	6599.xxx.THKJ	145	6798.xxx	143
5512.xxx.(ASA)	63	6025.xxx.Suffix	149	6375.xxx.Suffix	149	6599.xxx.THKK	145	6800.xxx.0004	158
5512.xxx.P(ASA)	63	6037.xxx.XXXX	157	6402.xxx	81	6599.xxx.THKL	145	6800.xxx.0084	158
5513.xxx.(ASA, .FLS)	63	6038.xxx.XXXX	157	6403.xxx	82	6604.xxx	127	6800.xxx.Suffix	149
5513.xxx.0030	63	6039.xxx.XXXX	157	6501.000.A	145	6605.xxx	144	6802.xxx.Suffix	149
5513.xxx.P(ASA, .FLS)	63	6040.xxx	157	6501.000.B	145	6616.xxx	139	6810.xxx.0004	158
5515.xxx.(ASA)	63	6040.xxx.R(L)	157	6501.000.C	145	6620.xxx	136	6810.xxx.0084	158
5515.xxx.P(ASA)	63	6041.xxx	157	6501.000.D	145	6621.xxx	135	6810.xxx.Suffix	149
5520.xxx.(ASA, .FLS)	63	6041.xxx.R(L)	157	6501.000.E	145	6622.xxx	129	6812.xxx.Suffix	149
5520.xxx.P(ASA, .FLS)	63	6042.xxx	158	6501.000.F	145	6624.xxx	133	6832.xxx.Suffix	149
5522.xxx.(ASA)	63	6043.xxx	157	6501.xxx.15A	146	6628.xxx	143	6845.xxx.Suffix	154
5522.xxx.P(ASA)	63	6043.xxx.R(L)	157	6501.xxx.15B	146	6641.xxx	140	6847.xxx.Suffix	154
5523.xxx.(ASA, .FLS)	63	6051.xxx.Suffix	156	6501.xxx.15C	146	6652.xxx	128	6850.xxx	155
5523.xxx.P(ASA, .FLS)	63	6053.xxx.Suffix	156	6501.xxx.15D	146	6701.xxx	71	6855.xxx.0004	158
5525.xxx.(ASA)	63	6055.xxx.Suffix	154	6501.xxx.15E	146	6703.xxx	71	6855.xxx.0084	158
5525.xxx.P(ASA)	63	6060.xxx.0004	158	6501.xxx.15G	146	6707.009	168	6855.xxx.Suffix	154
5528.xxx.R(L)	65	6060.xxx.Suffix	154	6501.xxx.15H	146	6714.xxx	140	6857.xxx.Suffix	154
		6065.xxx.0004	158	6501.xxx.15I	146	6715.xxx	139	6860.xxx	155
		6065.xxx.Suffix	154	6501.xxx.15J	146	6720.xxx	70	6897.xxx	158

6915.xxx	141	8105.xxx.R7/LK(L7LK)	201	8314.xxx	163	8440.xxx.006	161	8550.xxx	155
6921.xxx	139	8105.xxx.R8LK(L8LK)	201	8320.009.101	168	8441.xxx	162	8555.xxx	155
6942.xxx	119	8105.xxx.REPL	201	8320.009.102	168	8442.xxx	162	8560.xxx	155
6944.xxx	140	8106.xxx.CVR	201	8320.009.103	168	8443.xxx	162	90670.xxx.CD	207
6945.xxx	131	8106.xxx.E24	201	8320.009.202	168	8444.xxx	162	90671.xxx.CD	207
6946.xxx	130	8106.xxx.E48	201	8320.009.203	168	8471	168	90672.xxx.CD	207
6950.xxx	133	8107.xxx.CVR	201	8320.009.204	168	8472	168	90673.xxx.CD	207
6952.xxx	128	8107.xxx.E24	201	8320.009.205	168	8472.000.001	168	90674.xxx.CD	207
6963.xxx	122	8107.xxx.E48	201	8320.009.206	168	8472.000.004	168	90675.xxx.CD	207
6966.xxx	134	8201.xxx.DB	111	8320.009.207	168	8472.000.006	168	90676.xxx.CD	207
6973.xxx	132	8208.xxx.DB	111	8320.009.208	168	8474	168	90677.xxx.CD	207
6976.xxx	136	8220.xxx	105	8320.009.209	168	8475.000.001	110	90678.xxx.CD	207
6977.xxx	137	8221.xxx	105	8320.152.300	168	8480	168	90679.xxx.CD	207
6986.xxx	119	8225.xxx	97	8320.152.301	168	8484	168	9940.000.A	168
6991.xxx	117	8225.xxx.ZW	97	8320.152.302	168	8490.xxx.RCS	225	G6010.xxx.Suffix	151
8000.849.STR3	110	8231.xxx	107	8320.152.303	168	8498	162	G6055.xxx.Suffix	151
8000.xxx.RSTR	110	8231.xxx.PAT	107	8320.152.304	168	8530.xxx.Suffix	153	G6060.xxx.Suffix	151
8000.xxx.STR	110	8232.xxx	107	8320.152.305	168	85310.xxx	83	G6065.xxx.Suffix	151
8011.028.0025	110	8235.xxx	96	8320.152.306	168	85311.xxx	84	G6075.xxx.Suffix	151
8011.039.0023	110	8235.xxx.ZW	96	8320.152.307	168	85315.xxx	86	G6085.xxx.Suffix	151
8011.039.0027	110	8237.xxx	107	8320.152.308	168	85316.xxx	82	G6090.xxx.Suffix	151
8011.109.0022	110	8237.xxx.0510	110	8320.152.309	168	85317.xxx	83	G6110.xxx.Suffix	151
8011.xxx	106	8238.xxx	107	8321.xxx	160	85320.xxx	86	G6130.xxx.Suffix	151
8011.xxx.0020	110	8241.xxx	106	8321.xxx.DBL	161	85327.xxx	79	G6310.xxx.Suffix	151
8011.xxx.KD12	110	8241.xxx.PAT	106	8322.xxx	160	85337.xxx	79	G6318.xxx.Suffix	151
8021.xxx	106	8242.xxx	106	8322.xxx.DBL	161	85342.xxx	91	G6355.xxx.Suffix	151
8030.xxx.0003	110	8244.xxx	105	8323.xxx	160	85345.xxx	85	G6360.xxx.Suffix	151
8030.xxx.0005	110	8244.xxx.PAT	105	8323.xxx.DBL	161	8535.xxx.Suffix	153	G6365.xxx.Suffix	151
8030.xxx.0510	110	8252.xxx	107	8324.xxx	160	85350.xxx	87	G6375.xxx.Suffix	151
8031.xxx	106	8252.xxx.AC1	103	8324.xxx.DBL	161	85352.xxx	81	G6377.xxx.Suffix	151
8031.xxx.KD12	110	8253.xxx	107	8325.xxx	160	85353.xxx.ACRH(ACLH)	96	G6385.xxx.Suffix	151
8031.xxx.KD22	110	8254.xxx	108	8325.xxx.DBL	161	85353.xxx.ACX	96	G6390.xxx.Suffix	151
8040.xxx.0004	110	8255.xxx	108	8326.xxx	160	85354.xxx	80	K007.xxx A La Carte	39
8040.xxx.0006	110	8260.xxx	108	8326.xxx.DBL	161	85355.xxx	91	K007.xxx Pre-Configured	17
8040.xxx.0510	110	8261.xxx	108	8327.xxx	160	85358.xxx	98	K008.xxx A La Carte	39
8041.xxx	106	8285.xxx	108	8327.xxx.DBL	161	85360.xxx	80	K008.xxx Pre-Configured	18
8053.028.TP1	110	8285.xxx.AC1	103	8328.xxx	160	85385.xxx	90	K009.xxx A La Carte	39
8053.028.TP2	110	8286.xxx	108	8328.xxx.DBL	161	85386.xxx.	102	K009.xxx Pre-Configured	18
8053.028.TP3	110	8297.xxx	111	8329.xxx	160	85386.xxx	89	K012.xxx A La Carte	39
8053.028.TP4	110	8300.009.0066	168	8329.xxx.DBL	161	85387.xxx	90	K013.xxx A La Carte	39
8053.xxx.TP525	110	8300.109.005	168	8330.xxx	160	85390.xxx.ACLH	97	L015.xxx A La Carte	47
8080.xxx	111	8300.509.004	168	8330.xxx.DBL	161	85390.xxx.ACRH	97	L015.xxx Pre-Configured	26
8090.xxx	111	8300.509.AR	162	8333.009.010	168	85390.xxx.ACX	97	L021.xxx A La Carte	47
8097.xxx	111	8300.509.EMHT	162	8333.xxx	165	85390.xxx	87	L021.xxx Pre-Configured	26
8098.xxx.DC03	111	8300.509.STD	162	8333.xxx.H	165	85391.xxx	88	L022.xxx A La Carte	48
8098.xxx.TP03	111	8300.xxx	163	8440.xxx.001	161	85392.xxx	88	L022.xxx Pre-Configured	26
8105.xxx.7TOP	201	8313.329.TPH1	165	8440.xxx.002	161	85393.xxx	99	L022.xxx A La Carte	48
8105.xxx.8TOP	201	8313.329.TPH2	165	8440.xxx.003	161	85397.xxx	89	L022.xxx Pre-Configured	26
8105.xxx.GD	201	8313.509.008	168	8440.xxx.004	161	8540.xxx.Suffix	153	L023.xxx A La Carte	48
8105.xxx.R510/L510	201	8313.509.009	168	8440.xxx.005	161	8545.xxx.Suffix	153		

L023.xxx Pre-Configured	26
L024.xxx A La Carte	48
L024.xxx Pre-Configured	27
L029.xxx A La Carte	49
L029.xxx Pre-Configured	27
L030.xxx A La Carte	50
M502.xxx	123
M504.xxx	124
M512.xxx	120
M514.xxx.DBLC	121
M516.xxx	142
M522.xxx	118
MP000.000.AINS	184
MP000.000.AINT	184
MP000.000.FDPTP	184
MP000.000.FDPTQ	184
MP000.xxx.ACTA	188
MP000.xxx.ACTB	188
MP000.xxx.ACTC	188
MP000.xxx.ACTD	184
MP000.xxx.ACTE	184
MP000.xxx.ACTF	184
MP000.xxx.ACTG	184
MP000.XXX.ACTI	184
MP000.XXX.ACTR	186
MP000.xxx.PATJ	184
MP000.xxx.PATK	184
MP000.xxx.PATL	184
MP000.xxx.PATM	184
MP000.xxx.PATO	184
PD005	171
PD006	172
PD007	173
PD016	174
R007.xxx	55
R008.xxx	55
R011.xxx	55
R012.xxx	55
R016.xxx	55
R017.xxx	56
R026.xxx	56
R027.xxx	57
R029.xxx	57
R030.xxx	58
R032.xxx	58
R033.xxx	59
R035.xxx	59
R046.xxx	60
R048.xxx	61

R049.xxx	62
R050.xxx	62
R051.xxx	62
R052.xxx	61
R053.xxx	62
R054.xxx	57
R055.xxx	58
R056.xxx	59
TK007.xxx	70
TK009.xxx	70
U5510.xxx	63
U8201.xxx.DB	110
U8202.xxx.DB	110
U8208.xxx.DB	110
U8209.xxx.DB	110
xxx.xxx.MTG1	216
xxx.xxx.MTG2	216
xxx.xxx.MTG3	216
xxx.xxx.MTG5	216
xxx.xxx.MTG8	216

ALPHABETICAL INDEX	PAGE
American Cylinder – See Multi-Point	
Armored Fronts	158
Back Plates	241
Cabinet Knob	238
Bell Buttons	
Arch	207
Contemporary	207
Oval	207
Rectangular	207
Blocking Rings	161
Communicating Door Kit	74
Cremona Bolt	201
Cylinders	160
Key Blanks	166
Lock Trim Thickness Index	159
Mortise Cylinders (Single & Double)	160-161
Rim Lock Cylinders	165
Cylinders - Accessories	
5-pin Cylinder Spring Covers	168
6-pin Cylinder Spring Covers	168
Adams Rite Cam	162
Cylinder Springs	168
Emhart Cam	162
Mortise Lock Turn Piece Cylinders	162
Residential Trim Marking Template Doors	162
Rim Cylinder Tailpieces	165
Standard Cam	162
Cylinders – C-Keyway Table	160-161
Cylinders – Cylinder Trim/Collars	163
Beaded Cylinder Collar	163
Blocking Rings	161
Colonial Cylinder Collar	163
Compression Cylinder Collar	163
Contemporary Round Collar	163
Contemporary Square Collar	163
Cylinder Lock Cover Plate	163
Dummy Cylinder	163
Lakeshore Cylinder Collar	163
Oval Cylinder Collar	163
Square Cylinder Collar	163
Wrought Cylinder Collar	163
Deadbolts	
Arched	107
Bethpage	107
Contemporary	106
Hollywood Hills	108
Soho	108
Squared	108
Traditional	106
Deadbolts - Accessories	110

Deadbolts - Conversion Kits	111
Deadbolts - Components	
Bethpage Turn Piece	110
Contemporary Inside Cylinder Collar	110
Contemporary Outside Cylinder Collar	110
Contemporary Turn Piece Assembly	110
Cyl. And Tail Piece–Egress Handlesets	110
Cylinder Cap Tool	110
Cylinder Tail Piece	110
Cyl. Threaded Sleeve–Mounting Dbl Cyl.	110
Deadbolt	111
Double Cylinder For Handlesets & Deadbolts	110
Pan Head Thru–Bolt	110
Traditional Inside Cylinder Collar	110
Traditional Outside Cylinder Collar	110
Traditional Turn Piece Assembly	110
Tumbler Springs	110
Turn Piece Tail Piece, Older Style Handleset	110
Deadbolts - Strikes	
Dust Box	110
Radius Corner Deadbolt Strike	110
Standard Security Deadbolt Strike	110
Deadbolts - Thick Door Kits	
For New Mechanics	111
For Original Mechanics	111
Deadbolts - Trim Rings & Collars	
Cylinder Collar Spacers	111
Double Cylinder Conv. Kit	111
Single Cylinder Conv. Kit	111
Trim Rings	111
Door Guards	
Security	208
Door Stops	
Base Mounted Door Bumpers	221
Concave Wall Bumpers	221
Convex Wall Bumpers	221
Floor Bumper	220
Half Dome Door Bumper	220
Lever Door Holder	221
Universal Floor Bumper	220
Dust Boxes	
For Deadbolt Latch	110
For Interior Tubular Lock (for 5510 Latch)	65
For Mortise Lock	158
Emergency Release Trim & Backplates	71
Edge Pulls	211
Entrance Trim (Mortise)	
Baltimore	116
Barclay	117
Bethpage ¾	118

Bismark	119
Boulder ¾	120
Boulder Full	121
Bristol	122
Cody ¾	123
Cody Full	124
Concord	125
Edinburgh	126
Gramercy	127
Gramercy Knurled	128
Hamilton	129
Hollywood Hills	130
Hollywood Hills Knob	131
Houston	132
Kensington	133
Lakeshore	134
Lexington	135
Minneapolis	136
Minneapolis 20"	137
Nashville	138
Palm Springs Full	139
Pasadena	140
Santa Monica	141
Soho	142
Springfield	143
Tremont	144
Entrance Trim (Tubular)	
Bethpage Sectional	79
Bethpage	79
Blakely	80
Boulder	81
Boulder ¾	80
Cody	82
Cody ¾	81
Gramercy	82
Gramercy Knurled	83
Hollywood Hills (Sectional)	83
Hollywood Hills (Full)	84
Landon	85
Logan	86
Madison	86
Manchester	87
Minneapolis (Sectional)	87
Minneapolis ¾	88
Minneapolis (Full)	88
Palm Springs Full	89
Soho	89
Soho ¾	90
Soho Two-Point	90
Stonegate	91

Tremont	91
Flush Bolts & Strikes	
Dustproof Strike	214
Flush Bolts	214
Rabbeted Guide	214
Rabbeted Strike	214
Flush Rings	214
Hinges	
Ball Bearing	226
Radius Corner	225
Replacement Screws & Pins	223
Square Corner	224
How to Order & Installation	
Essentials	4
Dummy	6
Passage	7
Privacy	8
House Numbers	207
Installation Tools	
Aligning Bushing	73
Aligning Tool & Bushing	73
Allen Wrench	73
Spanner Tool	73
Keying - Kits & Components	
Bottom Pins	168
Top Pins	168
Master Pins	168
Adams Rite Cams	168
Cam mounting screws	168
Cap	168
Cap tool	168
Cylinder plug follower	168
Finish demonstrator	168
Hotel pin	168
Key gauge	168
Large keying kit for all (C)keying	168
Mounting plate	168
Mounting screws	168
Small keying kit	168
Spacer	168
Spring covers	168
Springs	168
Standard cams	168
Stile-right template	168
Tailpiece	168
Tumbler springs	168
Tweezers	168
Washer	168
Keypad Entry - Electronics	

Soho Deadbolt	103
Soho Sectional Handleset Kit	103
Boulder Deadbolt	103
Boulder Sectional Handleset Kit	103
Kickplates	215
Knobs - Cabinet	238
Knobs - Interior A La Carte	
5000	34
5011	34
5013	34
5015	34
5020	35
5023	35
5024	35
5025	35
5030	36
5041	36
5050	36
5054	36
5055	36
5057	37
5064	37
5066	37
5068	37
5069	38
5073	38
5077 Bethpage	38
5080 Filmore	38
K007	39
K008	39
K009	39
K012	39
K013	39
Knobs - Interior Tubular Pre-Configured Sets	
5000	13
5011	13
5013	13
5015 Classic	13
5020 Colonial	14
5023	14
5024	14
5025 Egg	14
5030	15
5041	15
5055	15
5057	15
5064	16
5066	16
5068	16

5069	16
5073	17
5077	17
5080 Filmore	17
K007	17
K008	18
K009	18
K012	18
Knobs - Tubular Keyed Entry	
Bethpage (5237/5238/5239/5241)	29
Classic (5205/5206/5208/5209)	28
Colonial (5210/5211/5213/5214)	28
Contemporary w/ Round Rose (5230/5231/5233/5234)	29
Contemporary w/ Square Rose (5250/5251/5253/5254)	29
Egg (5225/5226/5228/5229)	28
Modern (5215/5216/5218/5219)	28
Knockers	
"S"	205
Colonial	205
Colonial w/ Observascope	205
Contemporary	206
Imperial	205
Modern	206
Observ-O-Scope (doors <2.25" thick)	206
Observ-O-Scope (doors 2.25-3.25" thick)	206
Ring	206
Latches - Tubular	
Passage - Knob Strength	63
Passage - Lever Strength	63
Privacy - Knob Strength	63
Privacy - Lever Strength	63
Levers - Interior A La Carte	
5101	40
5103	40
5104	40
5105	40
5106	41
5108	41
5112	41
5113	41
5116	42
5118	42
5121	42
5122	42
5125	43
5137	43
5138	43
5141	43
5152	44

5161	44
5162	44
5164	44
5165	45
5166	45
5167	45
5173	45
5190	46
5445V Classic	46
5447V Bethpage	46
5452V	46
5455V Wave	47
5485V Soho	47
L015	47
L021	47
L022	48
L023	48
L024	48
L029	49
L030	50
Levers - Interior Tubular Pre-Configured Sets	
5103	19
5104	19
5105	19
5106	19
5108	20
5112	20
5113	20
5116	20
5118	21
5121	21
5122	21
5125	21
5137	22
5138	22
5141	22
5152	22
5161	23
5162	23
5164	23
5165	23
5166	24
5173	24
5190	24
5445V Classic	24
5447V Bethpage	25
5452V	25
5455V Wave	25
5485V Soho	25
L015	26

L021	26
L022	26
L023	26
L024	27
L029	27
Levers - Tubular Keyed Entry	
Bethpage (5237/5238/5239/5241)	30
Classic (5245/5246/5248/5249)	31
Square w/ Round Rose (5260/5261/5263/5264)	30
Square w/ Square Rose (5285/5286/5288/5289)	30
Wave (5255/5256/5258/5259)	31
Misc - Replacement Parts	167
Mortise - Deadlocks	
Mortise Locks	
Electrical	156
Entrance Function	149
Grade 1	151
Interior, Heavy Duty	154
Interior, Small Case	153
Mortise Locks - Accessories	
Armored Fronts	158
Strikes	157
Multi-Point	
Configuration 1 (Profile Cylinder Below Handle – 8 ½" CTC)	183
Configuration 2 (American Cylinder Above Handle – 8 ½" CTC)	185
Configuration 3 (American Cyl Below Handle – 8 ¾" CTC)	187
Configuration 4 (Profile Cylinder Below Handle – 7 7/8" CTC)	189
Configuration 5 (American Cyl Above/Below Handle – 7 9/16" CTC)	191
Configuration 6 (American Cylinder Above Handle – 7 ¼" CTC)	193
Pre-Drilled Door Accessories	
2 1/8" Pre-Drilled Door Adaptor	64
Dummy Insert & Filler Plate	67
Closet Spindles	72
Privacy	
Button - Knob Strength	64
Button Extender	64
Pull Plates	216
Pulls	
Bristol	218
Concord	218
Edinburgh	218
Kensington	219
Gramercy	219
Hollywood Hills	219
Pasadena	219
Springfield	219
Traditional	217

Pulls - Appliance		229
Pulls - Cabinet		229
Push Plates		
Bristol		216
Nashville		215
Square Edge		215
Rim Locks		
Accessories		199
Entrance, Special Function		197
Passage, Privacy, Entrance		197
Rim Cylinders		165
Standards & Specifications		196
Trim		198
Roller & Ball Catches		
Adjustable Ball Catch		211
Adjustable Roller Catch		211
Roller Latch		211
Rosettes		
5002		51
5004		51
5006		51
5010		52
5017		51
5021		52
5028		52
5032		51
5035		53
5038		53
5042		53
5046		51
5047		54
5048		51
5056		54
5058		54
5070		52
5075		52
5076		53
5078		53
5123		52
5127		52
5129		53
5134		53
5139		51
5142		53
5146		51
5147		54
5148		51
5149		51
5151		52
5155		52

5156	53
5157	53
5158	54
5160	54
R007	55
R008	55
R011	55
R012	55
R016	55
R017	56 / 61
R026	56
R027	57
R029	57
R030	58
R032	58
R033	59
R035	59
R046	60
R048	61
R049	62
R050	62
R051	62
R052	61
R053	62
R054	57
R055	58
R056	59
Sash Locks & Pulls	
Flush Pull	212
Sash Lift	212
Sash Lock	212
Sliding Door Locks (Pocket Door)	171
Spare Parts	
Rose Retainers	62
Screw Bases	72
Screw Covers	72
Set Screw	64
Spindles	
Closet Spindles	72
Dummy Spindles	67
Broached Straight Spindles	66
Broached Swivel Spindles	66
Broached Half Spindles	66
Transitional Straight Spindles	66
Transitional Swivel Spindles	66
Transitional Half Spindles	66
Strikes	
Angle - Surface Bolt	208
ASA Extended Lip - Mortise	157
ASA Straight & Curved Lip - Mortise	157

ASA Strike - Tubular	65
Combination Privacy Strike - Tubular	65
Deadlock - Mortise	158
Extended Full Lip Strike - Tubular	65
Full Lip Strike - Tubular	65
Heavy Duty Angle - Surface Bolt	208
Mortise - Surface Bolt	208
Rabbeted Door - Mortise	158
Surface - Surface Bolt	208
Universal - Surface Bolt	208
Surface Bolts	208
Thin & Thick Door Kits	
Thick Door Mortise Kits	145
Thin Steel Door Mortise Kits	146
Thin Steel Door Tubular Kits	146
Tools & Accessories	168
Touchscreen	
Touchscreen Deadbolts	96
Touchscreen Handlesets	96
Tubular Entrance Sets - See Entrance Trim (Tubular)	
Tubular Deadbolts - See Deadbolts	
Tubular Keyed Entry Levers - See Levers - Tubular Keyed Entry	
Tubular Keyed Entry Levers - See Levers - Tubular Keyed Entry	
Tubular Keyed Entry Knobs - See Knobs - Tubular Keyed Entry	
Turn Knobs	70
Turn Pieces	69
UL Kits - Passage & Privacy Tubular	63
Tubular Keyed Entry Levers - See Levers - Tubular Keyed Entry	
Tubular Keyed Entry Levers - See Levers - Tubular Keyed Entry	
Tubular Keyed Entry Knobs - See Knobs - Tubular Keyed Entry	
Turn Knobs	70
Turn Pieces	69
UL Kits - Passage & Privacy Tubular	63

CONDITIONS OF SALE

TERMS: 2%/25 Days, Net/30

SHIPMENTS: U.S. customers - F.O.B. Edgerton, KS or Nogales, AZ. Full freight allowed on purchase orders sent through routing of our selection. Delivery is made to curb or dock side only. Freight allowed shipments to Alaska will be prepaid to Seattle, to Hawaii will be prepaid to San Francisco, and to Puerto Rico will be prepaid to Miami. Upon delivery to the transportation company, shipments become the property of the purchasers, who assume full risk for loss or damage in transit.

International Customers - Orders will ship FCA to city specified on the commercial invoice. Exceptions will be subject to the INCO terms stated on the commercial invoice. Canadian customers should contact their sales reps for variations to these terms.

CLAIMS: All claims, whether referring to errors in prices, or in filling orders or for defective goods, must be submitted IN WRITING within 30 days after receipt of shipment. Tracing of all lost shipments must be submitted IN WRITING within 30 days or the liability and risk is placed on the purchasers. All issued documents by a carrier confirming receipt of a shipment must be honored by the purchasers.

RETURNED GOODS: Returned goods will not be accepted unless authorized in writing by Baldwin within 120 days of invoice date. A minimum 25% handling charge and freight will be charged on all stock items returned in original condition. Special and custom products are not returnable for credit. An 80% handling charge will be imposed on products damaged. No credit will be given for items returned without written authorization, nor will the items be returned to the customer. Authorized returns become void after a period of 30 days from issue date of the Returned Goods Authorization. All credit returns must be shipped to us, FREIGHT PREPAID.

ORDERS: Orders of less than \$250.00 net need to be entered via Baldwin Express. Most orders for stock items will be shipped within four (4) weeks from receipt of order. To expedite customer orders, items unavailable from stock at time of shipment will be back-ordered unless otherwise noted by customer. Quantities of a particular item will be rounded to the next full box quantity without incurring any obligations for credit. We reserve the right to decline the whole or part of orders in which the price, finishes or quantity of goods is not satisfactory to us. We reserve the right to discontinue items or change specifications at any time without notice and without incurring any obligations. The corporation cannot be liable for extended delivery dates which may result in the cancellation of an order.

CANCELLATIONS: While Baldwin will attempt to comply with customer's written change orders and/or cancellations, we cannot guarantee that they can be accomplished before shipment. Appropriate handling charges on returns will be exercised if the order has been shipped before processing a change order request. All requests must be submitted in writing.

PRICES: The price list in effect on the date customer order is received will determine billing price. Orders requiring delivery in excess of three (3) months will be billed at prices in effect at time of shipment, unless quoted to the contrary in writing by our company.

Orders being held by Baldwin because of account credit status may be repiced to the price in effect the day the order is released by the Baldwin Credit Department.

SPECIFICATIONS: Packing, weights, measurements, and design are subject to change without notice.

SPECIAL FABRICATION: Items of Special Manufacture and Specialty Keying are not cancelable after a period of 72 hours from receipt of an order. A cancellation of this nature will result in a penalty charge equal to the total expenses incurred on the product. Delivery on orders of special fabrication cannot be guaranteed due to variables beyond our control. The corporation cannot be liable for extended deliveries on special orders and consequently, are not cancelable.

Limited Lifetime Mechanical Warranty: Baldwin warrants to the original residential purchaser that each Baldwin Estate product shall be free of mechanical defects under normal use from the date of purchase for as long as the Purchaser occupies the residential premises upon which the Product was originally installed. This Mechanical Limited Warranty applies only to Products purchased from Baldwin or a Baldwin authorized reseller, unless otherwise prohibited by law. Baldwin Products are legitimately sold only by authorized resellers who are required to follow Baldwin's policies, procedures, and quality control standards. Baldwin reserves the right to reject warranty claims from purchasers for Products purchased from unauthorized sellers, including unauthorized Internet sites.

Limited Electronic Warranty: Baldwin Estate electronic products come with a 1 year electronic warranty to the original residential user of the product against defects in material and workmanship as long as the original user occupies the residential premises upon which the product was originally installed. This warranty does not cover scratches, abrasions, deterioration due to the use of paints, solvents or other chemicals, abuse, misuse, or product used in commercial applications. This Electronic Limited Warranty applies only to Products purchased from Baldwin or a Baldwin authorized reseller, unless otherwise prohibited by law. Baldwin Products are legitimately sold only by authorized resellers who are required to follow Baldwin's policies, procedures, and quality control standards. Baldwin reserves the right to reject warranty claims from purchasers for Products purchased from unauthorized sellers, including unauthorized Internet sites.

Limited Lifetime Finish™ Warranty: The Baldwin Lifetime Finish uses advanced finishing technology (physical vapor deposition) to create a finish highly resistant to the effects of weather and normal wear and tear. The Limited Lifetime Finish Warranty on Lifetime Finish™ products covers the original purchaser for as long as you own your home.

Limited Finish Warranty: The finish on Baldwin products (excluding Lifetime Finish and living finish products) is protected by a durable topcoat designed to maintain the beauty and quality of the Baldwin product. The Baldwin Limited Finish Warranty covers the original purchaser for five years from date of purchase for interior use and one year for exterior use.

Living Finishes: Due to the nature of Baldwin living finish products, they will wear over time and may already have begun the process before reaching your home. No finish warranty is offered on living finish products, which are designed to age and improve over time. Living finishes include raw brass, oil rubbed bronze, stainless steel, and other non-lacquered or non-PVD finishes.

IMPORTANT! You must install Baldwin strikeplate or your warranty is void. For complete information on Baldwin Estate's Limited Warranty, please visit www.baldwinhardware.com

Except as expressly provided in this warranty to the contrary, (a) BALDWIN MAKES NO, AND DISCLAIMS ALL, WARRANTIES, REPRESENTATIONS AND GUARANTEES (WHETHER EXPRESS, IMPLIED OR STATUTORY), INCLUDING, BUT NOT LIMITED TO, ANY IMPLIED WARRANTY OF MERCHANTABILITY OR FITNESS FOR A PARTICULAR PURPOSE, AND (b) BALDWIN SHALL NOT BE OBLIGATED OR LIABLE FOR LABOR OR OTHER COSTS RELATED TO INSTALLATION, REPAIR OR REPLACEMENT OR FOR LOSS OF, OR DAMAGE TO, ANY MATERIAL WHICH IS NOT SOLD BY BALDWIN. IN NO EVENT SHALL THE DURATION OF ANY IMPLIED WARRANTY OF MERCHANTABILITY OR FITNESS FOR A PARTICULAR PURPOSE BE LONGER THAN the lifetime of the applicable product or for as long as the original purchaser owns the product. This warranty is the only express warranty provided by Baldwin. No employee, representative or agent nor any other person has authority to assume or incur on behalf of Baldwin any obligation or liability in place of or in addition to this warranty.

Each of Baldwin's direct customers shall receive any claims and take delivery of any allegedly defective Baldwin products from the consumers and shall communicate and otherwise cooperate in a reasonable manner with Baldwin concerning the administration, processing and remedying of such claims, including, but not limited to, delivering repaired or replacement Baldwin products or, in the appropriate case, purchase price refunds to consumers. Please Note: The limited warranty on all locks or latches is void if used in combination with knobs, levers or trim of other than those manufactured by Baldwin and designated for use with the applicable locks or latches.

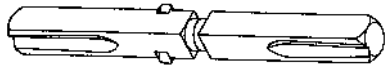
STANDARDS OF EXCELLENCE: Baldwin Hardware Corporation has produced a range of products in accordance to the HIGHEST STANDARDS OF QUALITY AND EXCELLENCE. All brass products are manufactured from the finest quality brass obtainable; however, these products are susceptible to indentation and imperfections due to the malleability of the material and the elements of human intervention when crafting the product. Although our internal safeguards protect us against shipping products of unacceptable quality, an imperfection or surface blemish may be considered the highest Quality Standard obtainable on a particular product. Baldwin is committed to producing each item to the most stringent guidelines and quality of human ability and excellence; however, all final decisions of Quality remain exclusively in the authorization of the Corporation. While Baldwin makes every effort to provide an accurate price list, we are not responsible for errors and/or omissions which may appear. Customers will be invoiced the actual price on all orders.

0509 – 0517 Broached Straight Spindles – PASSAGE



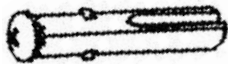
Item #	Description	Size	
0509.004	Broached straight	3"	\$17
0510.004	Broached straight	3.5"	\$17
0511.004	Broached straight	4"	\$17
0512.004	Broached straight	4.5"	\$17
0513.004	Broached straight	5"	\$17
0514.004	Broached straight	5.5"	\$17
0515.004	Broached straight	6"	\$17
0516.004	Broached straight	7"	\$17
0517.004	Broached straight	3.75"	\$17

0519 – 0527 Broached Swivel Spindles – PRIVACY



Item #	Description	Size	
0519.004	Broached swivel	3"	\$23
0520.004	Broached swivel	3.5"	\$23
0521.004	Broached swivel	4.5"	\$23
0522.004	Broached swivel	4"	\$23
0523.004	Broached swivel	5"	\$23
0524.004	Broached swivel	5.5"	\$23
0525.004	Broached swivel	6.5"	\$23
0527.004	Broached swivel	3.75"	\$23

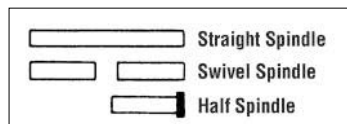
0530 – 0539 Broached Half Spindles – FRONT DOOR
(thumbpiece to knob or lever)



Item #	Description	Size	
0530.004	Broached half	2.375"	\$17
0531.004	Broached half	2.875"	\$17
0532.004	Broached half	3.375"	\$17
0533.004	Broached half	2.25"	\$17
0539.004	Broached half	2.625"	\$17

- For mounting all current Estate knobs and levers to thumbpiece of handlesets
- Included with all 'set' orders

Spindle Chart & Key



Door Thickness	1.375"		1.75"		2"		2.25"		2.5"	
	Spindle	Half Spindle	Spindle	Half Spindle	Spindle	Half Spindle	Spindle	Half Spindle	Spindle	Half Spindle
A – .0625"	3.5"	2.25"	4"	2.25"	4"	2.25"	4.5"	2.25"	4.5"	2.375"
B – .0937"	3.5"	2.25"	4"	2.25"	4"	2.25"	4.5"	2.25"	4.5"	2.375"
C – .125"	3.5"	2.25"	4"	2.25"	4.5"	2.25"	4.5"	2.25"	5"	2.375"
D – .1875"	3.5"	2.25"	4"	2.25"	4.5"	2.25"	4.5"	2.375"	5"	2.375"
E – .25" Estate Roses	3.5"	2.25"	4"	2.25"	4.5"	2.25"	4.5"	2.375"	5"	2.875"
F – .3125"	4"	2.25"	4.5"	2.25"	4.5"	2.375"	5"	2.375"	5"	2.875"
G – .375"	4"	2.25"	4.5"	2.25"	5"	2.375"	5"	2.875"	5.5"	2.875"
H – .435"	4.5"	2.25"	4.5"	2.375"	5"	2.375"	5"	2.625"	5.5"	2.875"
H1, I – .56"	4.5"	2.25"	5"	2.375"	5"	2.625"	5.5"	2.625"	5.5"	2.875"
J – .75"	5"	2.625"	5.5"	2.875"	5.5"	2.875"	6"	2.875"	6"	2.875"

.A SUFFIX TRANSITIONAL SPINDLES (OLD STYLE):

For use with all discontinued Estate threaded knobs & levers, as well as all current Estate knobs and levers

Transitional Straight Spindles – Passage

Item #	Description	Size	
0509.004.A	Transitional straight	3"	\$25
0510.004.A	Transitional straight	3.5"	\$25
0511.004.A	Transitional straight	4"	\$25
0512.004.A	Transitional straight	4.5"	\$25
0513.004.A	Transitional straight	5"	\$25
0514.004.A	Transitional straight	5.5"	\$25
0515.004.A	Transitional straight	6"	\$25
0516.004.A	Transitional straight	7"	\$25

Transitional Swivel Spindles – Privacy

Item #	Description	Size	
0519.004.A	Transitional swivel	3"	\$33
0520.004.A	Transitional swivel	3.5"	\$33
0521.004.A	Transitional swivel	4.5"	\$33
0522.004.A	Transitional swivel	4"	\$33
0524.004.A	Transitional swivel	5"	\$33
0525.004.A	Transitional swivel	6.5"	\$33

Transitional Half Spindles – Front Door (thumbpiece to knob or lever)

Item #	Description	Size	
0530.004.A	Transitional half	2.375"	\$25
0531.004.A	Transitional half	2.875"	\$25
0532.004.A	Transitional half	3.375"	\$25
0533.004.A	Transitional half	2.25"	\$25

Single Cylinder – C Keyway

Door Thickness	1.375"		1.75"		2"		2.25"		2.5"	
Lock Trim Thickness	Cylinder Length	Blocking Ring	Cylinder Length	Blocking Ring	Cylinder Length	Blocking Ring	Cylinder Length	Blocking Ring	Cylinder Length	Blocking Ring
A - .0625"	1" 8321.xxx	.1875" 8440.xxx.5	1" 8321.xxx	—	1.125" 8322.xxx	—	1.25" 8323.xxx	—	1.375" 8324.xxx	—
B - .0937"	1" 8321.xxx	.1562" 8440.xxx.4	1" 8321.xxx	—	1.125" 8322.xxx	—	1.25" 8323.xxx	—	1.375" 8324.xxx	—
C - .125"	1" 8321.xxx	.125" 8440.xxx.3	1.125" 8322.xxx	—	1.125" 8322.xxx	—	1.25" 8323.xxx	—	1.375" 8324.xxx	—
D - .1875"	1" 8321.xxx	—	1.125" 8322.xxx	—	1.25" 8323.xxx	—	1.375" 8324.xxx	—	1.5" 8325.xxx	—
E - .25"	1" 8321.xxx	—	1.25" 8323.xxx	—	1.25" 8323.xxx	—	1.375" 8324.xxx	—	1.5" 8325.xxx	—
F - .3125"	1.125" 8322.xxx	—	1.25" 8323.xxx	—	1.375" 8324.xxx	—	1.5" 8325.xxx	—	1.625" 8326.xxx	—
G - .375"	1.125" 8322.xxx	—	1.25" 8323.xxx	—	1.375" 8324.xxx	—	1.5" 8325.xxx	—	1.625" 8326.xxx	—
H - .435"	1.125" 8322.xxx	—	1.375" 8324.xxx	—	1.5" 8325.xxx	—	1.625" 8326.xxx	—	1.75" 8327.xxx	—
H1- .53"	1.125" 8322.xxx	—	1.5" 8325.xxx	—	1.625" 8326.xxx	—	1.75" 8327.xxx	—	1.75" 8327.xxx	—
I - .56"	1.125" 8322.xxx	—	1.5" 8325.xxx	—	1.625" 8326.xxx	—	1.75" 8327.xxx	—	1.75" 8327.xxx	—
J - .75"	1.5" 8325.xxx	—	1.625" 8326.xxx	—	1.75" 8327.xxx	—	2" 8328.xxx	.125" 8440.xxx.3	2" 8328.xxx	—



003, 031, 033, 044
050, 055, 056, 060
076, 102, 112,
190, 260, M02

Item #	Description		
8321.xxx	1" Mortise Cyl.	\$82	
8322.xxx	1.125" Mortise Cyl.	\$82	
8323.xxx	1.25" Mortise Cyl.	\$82	
8324.xxx	1.375" Mortise Cyl.	\$82	
8325.xxx	1.5" Mortise Cyl.	\$82	
8326.xxx	1.625" Mortise Cyl.	\$169	
8327.xxx	1.75" Mortise Cyl.	\$169	
8328.xxx	2" Mortise Cyl.	\$169	
8329.xxx	2.25" Mortise Cyl.	\$169	
8330.xxx	2.5" Mortise Cyl.	\$169	

NOTE: When ordering cylinders for G-SERIES MORTISE LOCKS, use this chart, but add a suffix 'EMHT' to the end of the Item #. (same price as standard C keyway cylinders)

EXAMPLE:

Lifetime Polished Brass 1.25" cylinder for G-series mortise
8323.003.EMHT



Double Cylinder – C Keyway

+ Two Blocking Rings Required

003, 031
033, 044
050, 055
056, 060
076, 102
112, 190, 260

Door Thickness	1.375"		1.75"		2"		2.25"		2.5"	
Lock Trim Thickness	Cylinder Length	Blocking Ring	Cylinder Length	Blocking Ring	Cylinder Length	Blocking Ring	Cylinder Length	Blocking Ring	Cylinder Length	Blocking Ring
A - .0625"	1" 8321.xxx.DBL	.2812" + 8440.xxx.2&5	1" 8321.xxx.DBL	.0937" + 8440.xxx.2	1" 8321.xxx.DBL	—	1.125" 8322.xxx.DBL	—	1.25" 8323.xxx.DBL	—
B - .0937"	1" 8321.xxx.DBL	.25" + 8440.xxx.6	1" 8321.xxx.DBL	.125" 8440.xxx.3	1" 8321.xxx.DBL	—	1.125" 8322.xxx.DBL	—	1.25" 8323.xxx.DBL	—
C - .125"	1" 8321.xxx.DBL	.25" + 8440.xxx.6	1" 8321.xxx.DBL	.0625" 8440.xxx.1	1.125" 8322.xxx.DBL	.0625" 8440.xxx.1	1.25" 8323.xxx.DBL	.0625" 8440.xxx.1	1.375" 8324.xxx.DBL	.0625" 8440.xxx.1
D - .1875"	1" 8321.xxx.DBL	.1562" + 8440.xxx.4	1.125" 8322.xxx.DBL	.0937" + 8440.xxx.2	1.125" 8322.xxx.DBL	—	1.25" 8323.xxx.DBL	—	1.375" 8324.xxx.DBL	—
E - .25"	1" 8321.xxx.DBL	.0937" + 8440.xxx.2	1.125" 8322.xxx.DBL	.0625" 8440.xxx.1	1.125" 8322.xxx.DBL	.0625" 8440.xxx.1	1.375" 8324.xxx.DBL	.0625" 8440.xxx.1	1.5" 8325.xxx.DBL	.0625" 8440.xxx.1
F - .3125"	1" 8321.xxx.DBL	.0625" 8440.xxx.1	1.25" 8323.xxx.DBL	.0937" + 8440.xxx.2	1.25" 8323.xxx.DBL	—	1.375" 8324.xxx.DBL	—	1.5" 8325.xxx.DBL	—
G - .375"	1" 8321.xxx.DBL	—	1.25" 8323.xxx.DBL	.0625" 8440.xxx.1	1.375" 8324.xxx.DBL	.0625" 8440.xxx.1	1.5" 8325.xxx.DBL	.0625" 8440.xxx.1	1.625" 8326.xxx.DBL	.0625" 8440.xxx.1
H - .435"	1" 8321.xxx.DBL	—	1.25" 8323.xxx.DBL	—	1.375" 8324.xxx.DBL	—	1.5" 8325.xxx.DBL	—	1.625" 8326.xxx.DBL	—
H1- .53"	1.125" 8322.xxx	—	1.375" 8324.xxx.DBL	—	1.5" 8325.xxx.DBL	.0625" 8440.xxx.1	1.625" 8326.xxx.DBL	—	1.75" 8327.xxx.DBL	—
I - .5625"	1.125" 8322.xxx.DBL	—	1.375" 8324.xxx.DBL	—	1.5" 8325.xxx.DBL	—	1.625" 8326.xxx.DBL	—	1.75" 8327.xxx.DBL	—
J - .75"	1.5" 8325.xxx.DBL	.0937" + 8440.xxx.2	1.625" 8326.xxx.DBL	.0625" 8440.xxx.1	1.75" 8327.xxx.DBL	.0625" 8440.xxx.1	2" 8328.xxx.DBL	.1562" + 8440.xxx.4	2" 8328.xxx.DBL	.0625" 8440.xxx.1
F - .3125" Exterior	1" 8321.xxx	—	1.125" 8322.xxx	—	1.25" 8323.xxx	—	1.375" 8324.xxx	—	1.5" 8325.xxx	—
K - .875" Exterior	1.5" 8325.xxx	—	1.75" 8327.xxx	—	2" 8328.xxx	.125" 8440.xxx.3	2" 8328.xxx	—	2.25" 8329.xxx	.125" 440.xxx.3

Item #	Description		
8321.xxx.DBL	1" Double Cyl.	\$161	
8322.xxx.DBL	1.125" Double Cyl.	\$161	
8323.xxx.DBL	1.25" Double Cyl.	\$161	
8324.xxx.DBL	1.375" Double Cyl.	\$161	
8325.xxx.DBL	1.5" Double Cyl.	\$161	
8326.xxx.DBL	1.625" Mortise Cyl.	\$336	
8327.xxx.DBL	1.75" Mortise Cyl.	\$336	
8328.xxx.DBL	2" Mortise Cyl.	\$336	
8329.xxx.DBL	2.25" Mortise Cyl.	\$336	
8330.xxx.DBL	2.5" Mortise Cyl.	\$336	

Block Ring

003, 031
033, 044
050, 055
056, 060
076, 102
112, 190, 260

Item #	Description		
8440.xxx.001	.0625" - 1/16" B.R.	\$22	
8440.xxx.002	.0937" - 3/32" B.R.	\$22	
8440.xxx.003	.125" - 1/8" B.R.	\$22	
8440.xxx.004	.1562" - 5/32" B.R.	\$22	
8440.xxx.005	.1875" - 3/16" B.R.	\$22	
8440.xxx.006	.25" - 1/4" B.R.	\$22	



*Cylinders NOT available in Distressed finishes, non-distressed equivalents: 402=102

STEP 1

PICK YOUR HANDLESET TRIM, W/ KNOB OR LEVER: (SEE PAGE 122-153)

STEP 2

PICK YOUR MORTISE BOX

	Suffix*	Minus Strike*
Right hand	.R	.RDT
Left hand	.L	.LDT
Right hand Reverse bevel	.RR	.RRDT
Left hand Reverse bevel	.LR	.LRDT
Right hand Lever Strength	.RLS	.RLSDT
Left hand Lever Strength	.LLS	.LLSDT
Right hand Reverse bevel Lever Strength	.RRLS	.RRLSDT
Left hand Reverse bevel Lever Strength	.LRLS	.LRLSDT
Right hand Reverse bevel Lever Strength with 1" Front	.RRB1	.RRB1DT
Left hand Reverse bevel Lever Strength with 1" Front	.LRB1	.LRB1DT

Entrance Function Mortise Locks	003, 031, 033 034, 044, 050, 055 056, 060, 076, 102 112, 190, 260
Lock with strike	\$504
Lock without strike	\$460

				HANDLESET X KNOB		HANDLESET X LEVER		KNOB X KNOB	LEVER X LEVER
Backset	Door Thickness	Function	Mortise Box	Handing	Part Number	Handing	Part Number	Part Number	Part Number
2.75"	1.75" and up	Residential Entrance	6020	R	6020.xxx.R	RLS	6020.xxx.RLS	6001.xxx.R	6001.xxx.RLS
				L	6020.xxx.L	LLS	6020.xxx.LLS	6001.xxx.L	6001.xxx.LLS
				RR	6020.xxx.RR	RRLS	6020.xxx.RRLS	6001.xxx.RR	6001.xxx.RRLS
				LR	6020.xxx.LR	LRLS	6020.xxx.LRLS	6001.xxx.LR	6001.xxx.LRLS
2.75"	1.75" and up	Residential Entrance	6021	R	6021.xxx.R	RLS	6021.xxx.RLS	6075.xxx.R	6075.xxx.RLS
				L	6021.xxx.L	LLS	6021.xxx.LLS	6075.xxx.L	6075.xxx.LLS
		Emergency Egress		RR	6021.xxx.RR	RRLS	6021.xxx.RRLS	6075.xxx.RR	6075.xxx.RRLS
				LR	6021.xxx.LR	LRLS	6021.xxx.LRLS	6075.xxx.LR	6075.xxx.LRLS
2.75"	1.75" and up	Entrance Back-to-Back	6025	-	-	-	-	-	
2.5"	1.375 / 1.75 and up	Residential Entrance	6320	R	6320.xxx.R	RLS	6320.xxx.RLS	6301.xxx.R	6301.xxx.RLS
				L	6320.xxx.L	LLS	6320.xxx.LLS	6301.xxx.L	6301.xxx.LLS
				RR	6320.xxx.RR	RRLS	6320.xxx.RRLS	6301.xxx.RR	6301.xxx.RRLS
				LR	6320.xxx.LR	LRLS	6320.xxx.LRLS	6301.xxx.LR	6301.xxx.LRLS
2.5"	1.375/1.75 and up	Residential Entrance	6321	R	6321.xxx.R	RLS	6321.xxx.RLS	6375.xxx.R	6375.xxx.RLS
				L	6321.xxx.L	LLS	6321.xxx.LLS	6375.xxx.L	6375.xxx.LLS
		Emergency Egress		RR	6321.xxx.RR	RRLS	6321.xxx.RRLS	6375.xxx.RR	6375.xxx.RRLS
				LR	6321.xxx.LR	LRLS	6321.xxx.LRLS	6375.xxx.LR	6375.xxx.LRLS
2.5"	1.375/1.75 and up	Entrance Back-to-Back	6325	-	-	-	-	-	

STEP 3

PICK YOUR CYLINDER (SEE INSIDE FLAP FOR CYLINDER TABLE)

IF YOUR DOOR IS NOT 1.75" THICK, ALSO REQUIRED

STEP 4

SPINDLE (SEE INSIDE FLAP CHART)

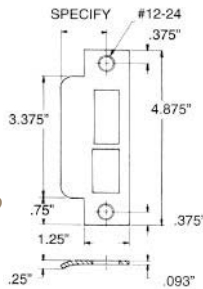
STEP 5

THICK DOOR KIT (DOORS OVER 1.75" AND UP TO 2.25" THICK, SEE PAGE 145)

STEP 6

EXTENDED LIP STRIKE

6037, 6038, 6039
6338, 6339



Lip to Center length determined by the following formula:
 Door thickness ÷ 2 + .375" (10mm) = Lip to Center length
 Round to closest size

Item #	Function	
6037.xxx.XXXX	2.75" backset latch, deadbolt, aux latch	\$95
6038.xxx.XXXX	2.75" backset latch only	\$95
6039.xxx.XXXX	2.75" backset latch, deadbolt	\$95
6338.xxx.XXXX	1.5," 2," 2.5" backset latch only	\$95
6339.xxx.XXXX	1.5," 2," 2.5" backset latch, deadbolt	\$95

XXXX indicates Extended Lip to Center size = .R158, .L158, .R178, .L178, .R214, .L214, .R300, .L300
6037, 6038, 6039, 6338, 6339.xxx – EXTENDED LIP STRIKES (HANDED)

- Use with locks installed on special door/frame conditions
- Supplied with a curved lip only
- ALWAYS SPECIFY HAND OF DOOR AND REQUIRED LENGTH
- Note: Reverse bevel doors use opposite hand for strike selection (ie. Right hand reverse bevel use left hand strike.)
- Lip to Center lengths:
 - .R158 or .L158 – 1.625" (41mm)
 - .R178 or .L178 – 1.875" (48mm)
 - .R214 or .L214 – 2.25" (57mm)
 - .R300 or .L300 – 3" (76mm)

003, 031, 033
044, 050, 055
056, 060, 076, 102
112, 190, 260

BALDWIN®

TO VIEW DIGITAL PRICE BOOK, SCAN HERE



19701 DA VINCI, LAKE FOREST, CALIFORNIA 92610

800.437.7448 · BALDWINHARDWARE.COM