

WELCOME



IT IS OUR SINCERE PLEASURE TO WELCOME YOU TO THE CLASSIC BRASS FAMILY. CLASSIC BRASS IS LOCATED IN WESTERN NEW YORK — HOME TO GENERATIONS OF SKILLED AMERICAN CRAFTSMEN WHO TAKE PRIDE IN EVERY PIECE OF HARDWARE WE PRODUCE IN OUR JAMESTOWN FACTORY.

Every piece of our quality hardware is finished by hand, requiring intricate steps and processes to create our 33 unique and stunning finishes. The detail, scale and range of flexibility is unmatched in the marketplace, and our team is honored to deliver exceptional customer service to our valued partners.

It is our goal to enhance your cabinetry and doors by adding our hardware. We guarantee our solid brass hardware will provide a defining touch of elegance and beauty to any room or project.

We appreciate the opportunity to be considered for your hardware selection and look forward to adding you to our family of customers.

Chris Creighton
President/CEO

TERMS & POLICIES

TERMS

1% 10 days – NET 30. All invoices past 30 days are subject to a past due charge of 1.5% per month.

Past due accounts will be placed on “HOLD”. No shipments will be made until the account is brought within terms.

FREIGHT

Ground freight will be prepaid on all cabinet orders over \$500/net and on all door orders over \$2500/net. All other shipments are F.O.B. – Jamestown, New York.

Drop shipments are made at no additional charge.

RETURN GOODS AUTHORIZATION

All products requiring warranty work must be pre-authorized by Classic Brass prior shipping the material to our factory. A Return Goods Authorization (RGA) must be issued prior to any hardware being returned and properly noted on the shipment carton and/or return paperwork.

Ship To:

Classic Brass Inc.
Attn: RGA Department
2051 Stoneman Circle
Lakewood, NY 14750
716.763.1400

Products will only be accepted for return within 60 days of invoice date.

Due to the custom nature of our cabinet products a 25% restocking fee will be applied to all returns other than defective merchandise.

Due to the custom nature of our door products a 50% restocking fee will be applied to all returns other than defective merchandise.

To qualify for a full or partial credit, ALL products must be packed in ORIGINAL interior and exterior shipping cartons as packed by our staff. Should the product be poorly packed or damaged in return, Classic Brass will not issue a credit regardless of the reason for return.

No credit will be given for any mortise locks, latches or cylinders that have been opened or modified in any way regardless of the reason for return.

Product manufactured to custom specifications (including all Multi Point orders) or custom finishes are NOT eligible for return or credit.

SHIPMENT DISCREPANCY

Any discrepancy as to the quantity or accuracy of the products shipped must be reported within ten days of receipt.

CANCELLATION POLICY

Due to the semi-custom nature of our product, orders can only be cancelled within 48 hours of receiving your order acknowledgement. Cancellations received after 48 hours will be subject to a 25% fabrication fee.

OUR PROMISE

The Classic Brass family take a great deal of pride in the products produced by our American craftsman. We offer a lifetime guarantee on the material and workmanship of our products. Our handcrafted WAX finishes performed on solid brass or bronze products are known as a “living finish” which means it will change with time, touch, climate and care techniques. Our finishes that are shipped with a lacquer coating are guaranteed for a period of one year from date of receipt. We will refinish at our expense all products returned that we deem to be a defective finish.

Due to the fact each product will be exposed to a varying set of conditions, we do not warranty the finish of our products except as stated above. Repeated handling and use will result in an inherently beautiful and graceful finish desired by the finest residences across the world.

Our mortise locks, latches, and cylinders are guaranteed for two years from the date of purchase to the original user. We require the original Purchase Order No. to receive a Return Goods Authorization.

Classic Brass will repair or replace the defective product or parts that fall within these guidelines. If material is determined to be defective, the limit of damage is the price of the defective material. Classic Brass will not be liable for any labor charges regarding the removal or reinstallation of the products, transportation costs or associated handling expense related to the product. Defects or damage deemed to have been caused by accident, misuse, abuse or improper installation are not covered by this warranty. Surface scratches and wear are not manufacturing defects but are indicative of normal wear and tear. Classic Brass will be the sole interpreter of the above warranty.

Classic Brass hardware products must be installed and maintained by a professional hardware installer or all warranties are void.

TERMS & POLICIES

PRODUCT CARE

Cleaning all surfaces with a mild soap, water, and a non-abrasive cloth will help the hardware age gracefully.

We recommend that you rinse away any traces of soap and gently dry with a clean, soft cloth after each use.

CARE FOR WAX FINISHES

Apply a clear furniture paste wax and let dry. Using a soft cloth, remove the dried wax and shine to level of desired brightness. A soft bristle brush is recommended to remove any excess wax from low ground or detail (i.e. coin, rope, etc) that may be hard to remove with a cloth.

For best results, paste wax should be applied every 6 months.

**On larger orders, please find a complimentary 1oz. canister of wax enclosed.*

CARE FOR LACQUER FINISHES

For best results and a lasting finish, we recommend that you maintain lacquer coated products with a mild soap. Rinse and dry thoroughly.

CONTACT US

Plant Address 2051 Stoneman Circle, Lakewood, NY 14750

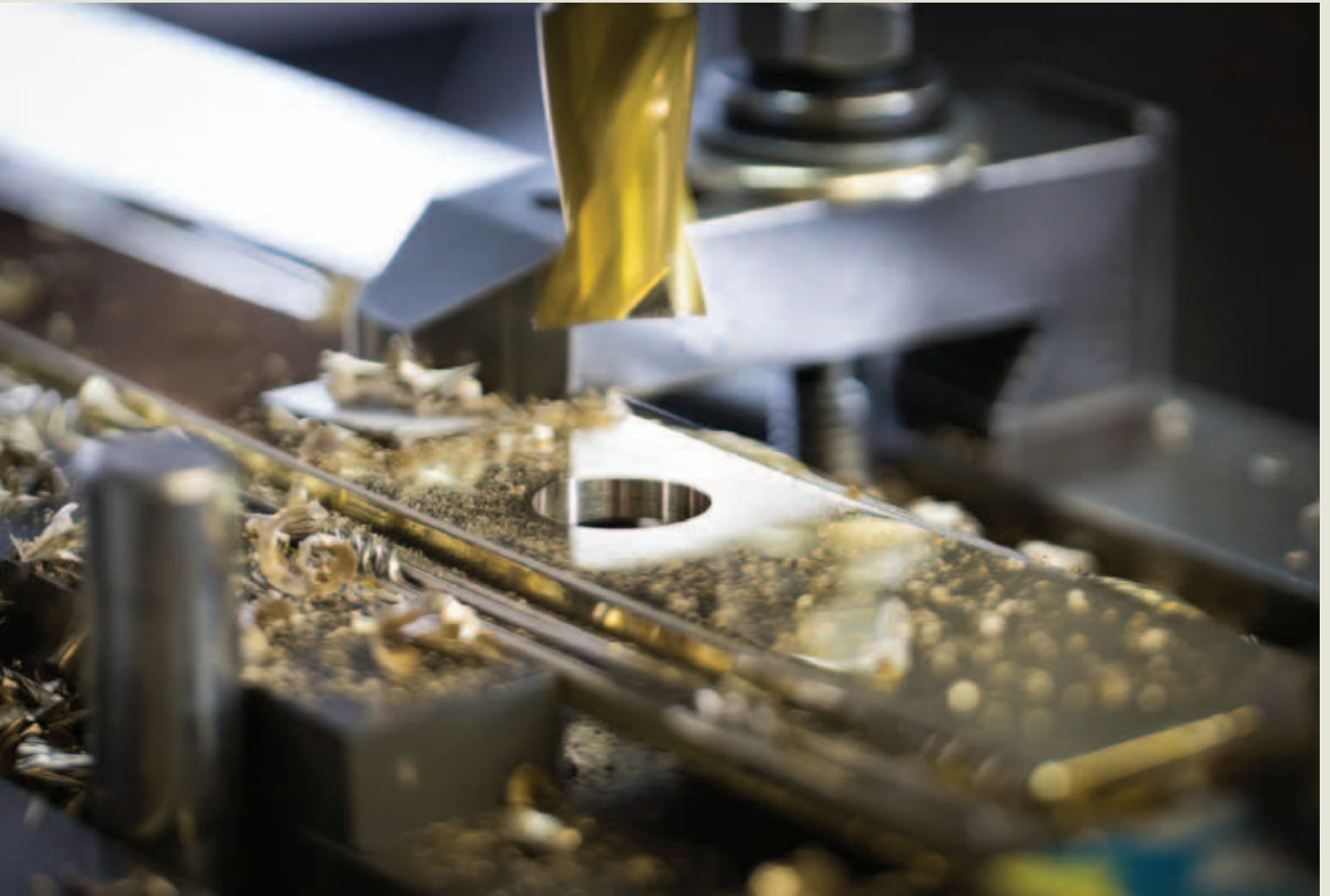
Mailing Address P.O. Box 3563, Jamestown, NY 14702-3563

Phone (800) 869.3173 / (716) 763.1400

Fax (800) 215.2019 / (716) 763.1500

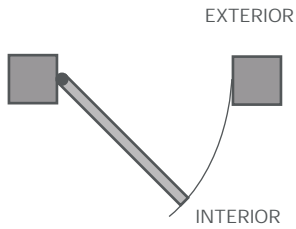
Email sales@classic-brass.com

Web classic-brass.com



ORDERING MULTI POINT

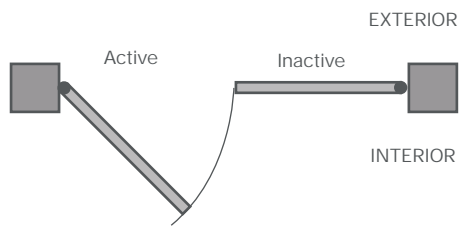
SINGLE DOOR



M/P Entrance Set
M/P Patio Set

DOUBLE DOOR

Active / Inactive

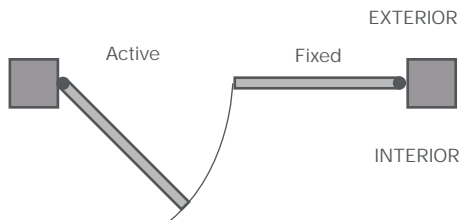


M/P Entrance Set
M/P Patio Set

Active Dummy Set
M/P Patio Set
Full Dummy Set

DOUBLE DOOR

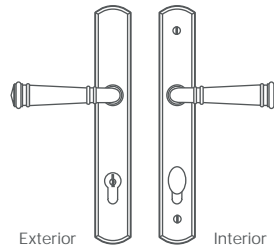
Active / Fixed



M/P Entrance Set
M/P Patio Set

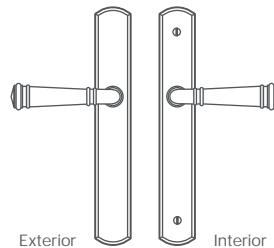
Full Dummy Set

Euro Multi Point - Entrance



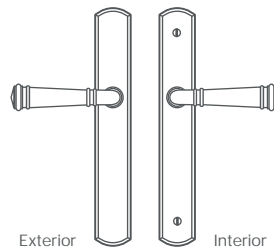
Both Levers Active.

Full Dummy Set



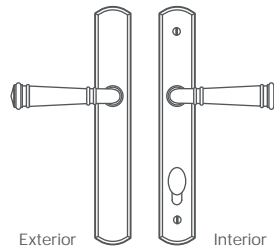
Both Levers Fixed.

Active Dummy Set



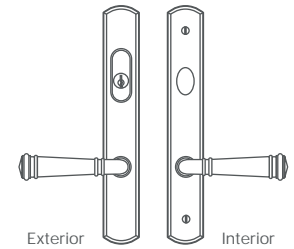
Interior Lever Active / Exterior Lever Fixed.

Euro Multi Point - Patio



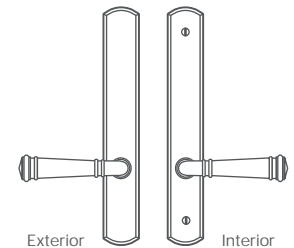
Both Levers Active.

American Multi Point - Entrance



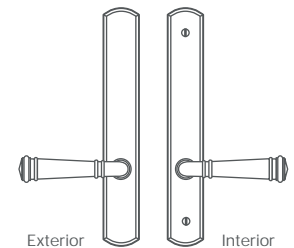
Both Levers Active.

Full Dummy Set



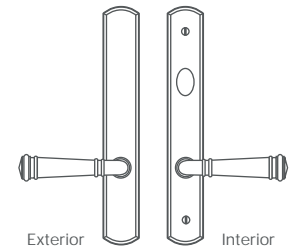
Both Levers Fixed.

Active Dummy Set



Interior Lever Active / Exterior Lever Fixed.

American Multi Point - Patio

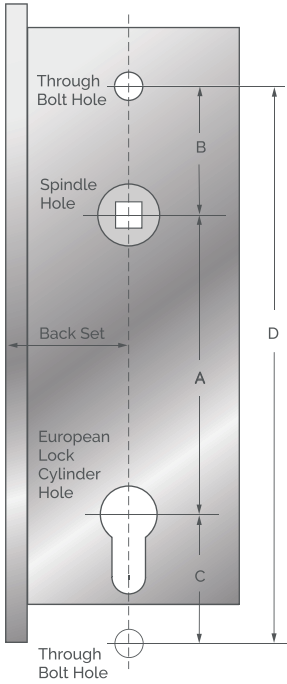


Both Levers Active.
Turnpiece with Tailpiece Attached.

In order to have a clear understanding of your requirements we need specific information to properly machine our products for a successful installation. See Form 500 on the next page for required information needed.

MULTI POINT CHECK SHEET

Euro Style Multipoint Lock (lever high shown)

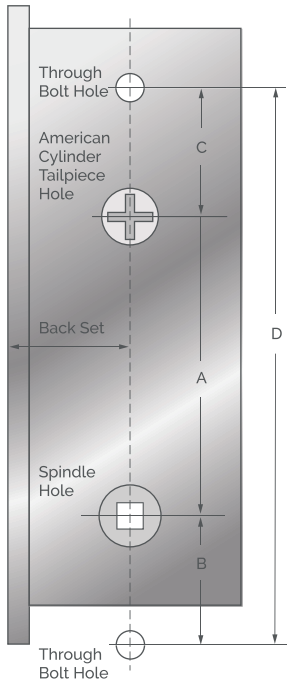


In order to have a clear understanding of your requirements we need specific information to properly machine our products for a successful installation.

Please complete as much information as possible. The dimension information required for A-B-C-D is **mandatory**. All of the information requested is critical for accurate development of your prints for approval

1. Please provide DOOR MANUFACTURER.
2. Please provide DOOR THICKNESS.
3. Please advise if EURO or AMERICAN style lock.
4. Is the lock located in the center of the door?
If not, advise location.
5. If AMERICAN, is the turnpiece HORIZONTAL or VERTICAL when door is unlocked?
6. Is the lever located HIGH or LOW relative to turnpiece?

American Style Multipoint Lock (lever low shown)



7. Please advise lock manufacturer.
8. Please advise backset.

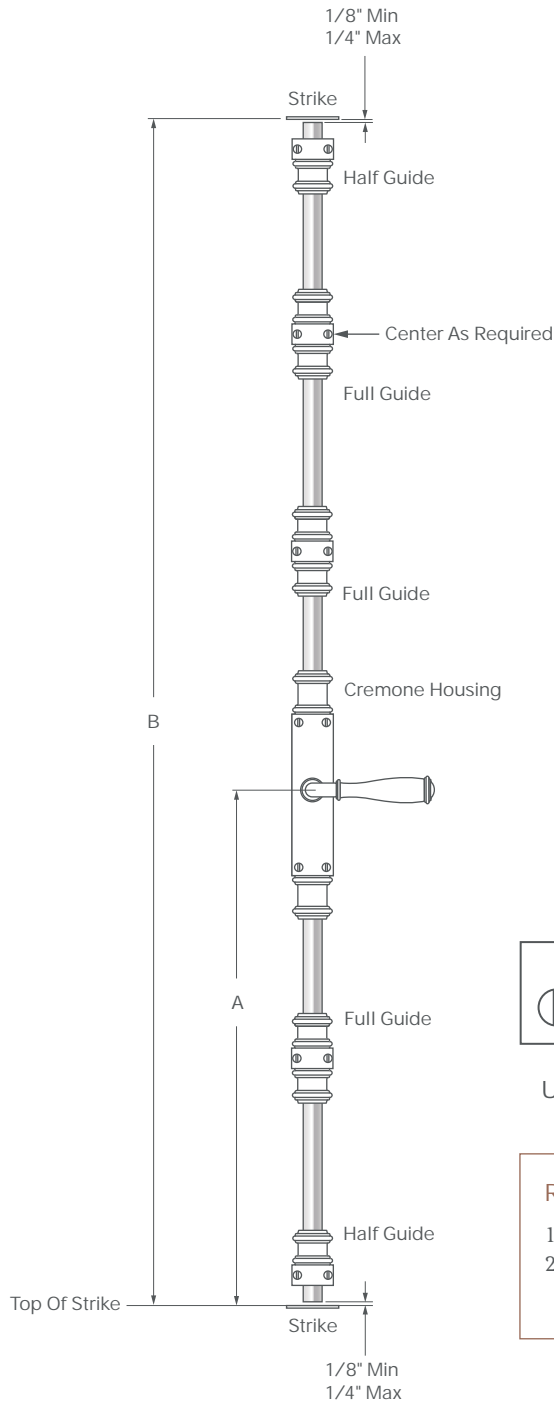
*Please provide the following measurements
(all hole measurements are from center):*

- A. Lock cylinder to spindle.
(92mm (3.622") is standard.)
- B. Spindle to through bolt.
- C. Cylinder to through bolt.
- D. Overall through bolt spacing.

A + B + C = D Please note: Measurements may be in millimeters.

CREMONE BOLT CHECK SHEET

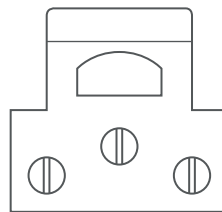
NOTE: ALL MEASUREMENTS TO BE TAKEN FROM SIDE OF DOOR THAT CREMONE WILL BE MOUNTED



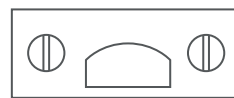
- A. What is the lever height from top of floor strike? (see sketch)
_____ (inches)
- B. What is the strike to strike distance? (see sketch)
_____ (inches)
- C. What is the overall height of the door?
_____ (inches)
- D. Is the door INSWING or OUTSWING?

- E. Is the cremone to be mounted on double doors?

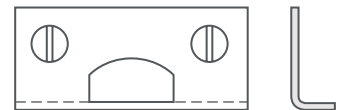
- F. What style strike is to be provided? (see sketch)
 - 1. Universal _____
 - 2. Mortise _____
 - 3. Angle _____



Universal Strike



Mortise Strike



Angle Strike

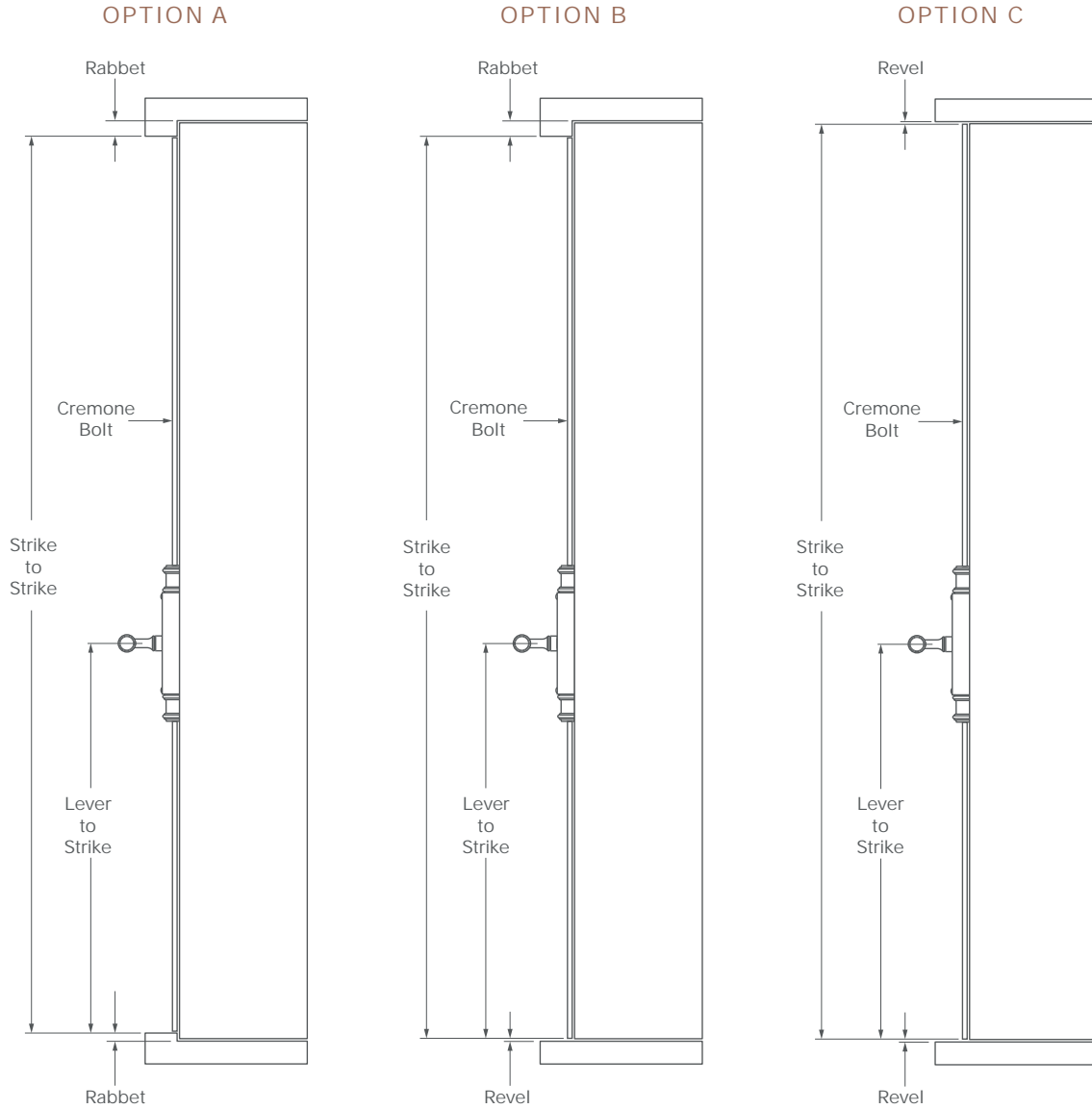
REMEMBER

- 1. Cremone bolt throw on either end is 1/2".
- 2. Lever position will be vertical in the unlocked position and horizontal in the locked position.

CREMONE BOLT CHECK SHEET - CONTINUED

NOTE: ALL MEASUREMENTS TO BE TAKEN FROM SIDE OF DOOR THAT CREMONE WILL BE MOUNTED

Select correct door option (see sketch). Supply required reveal or rabbet.
Please circle and fill out required information below.



OPTION A

TOP RABBET: _____

BOTTOM RABBET: _____

OPTION B

TOP RABBET: _____

BOTTOM REVEAL: _____

OPTION C

TOP REVEAL: _____

BOTTOM REVEAL: _____

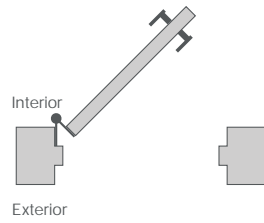
OPTION A: STRIKE TO STRIKE = DOOR HEIGHT - TOP RABBET - BOTTOM RABBET

OPTION B: STRIKE TO STRIKE = DOOR HEIGHT - TOP RABBET + BOTTOM REVEAL

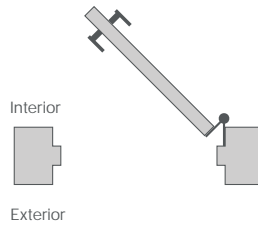
OPTION C: STRIKE TO STRIKE = DOOR HEIGHT + TOP REVEAL + BOTTOM REVEAL

DOOR HANDING CHART

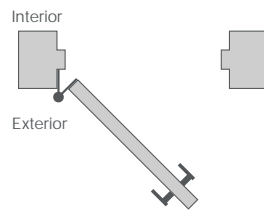
LEFT HAND INSWING



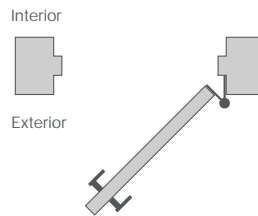
RIGHT HAND INSWING



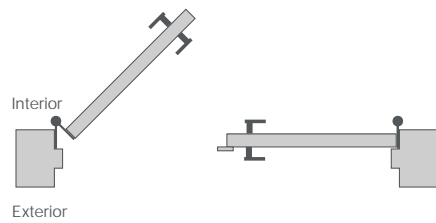
LEFT HAND REVERSE OUTSWING



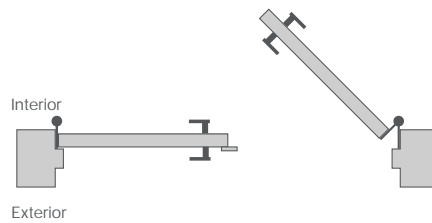
RIGHT HAND REVERSE OUTSWING



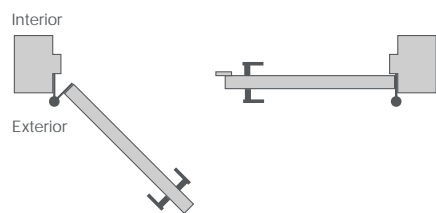
LEFT HAND ACTIVE INSWING



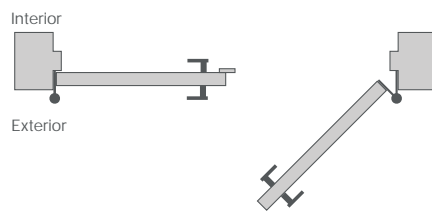
RIGHT HAND ACTIVE INSWING



LEFT HAND ACTIVE OUTSWING



RIGHT HAND ACTIVE OUTSWING



PRODUCT SPECIFICATIONS

ENTRANCE HANDLE SETS

HOW TO ORDER

1. Specify application.
2. Specify finish. If split finish is required, please indicate exterior/interior.
3. Specify door thickness. Standard thickness is 1-3/4".
4. Specify hand of door - RH/LH.
5. Specify backset - standard for mortise lock is 2-1/2".

SET COMPONENTS

Entrance Handle Set – Lever includes exterior escutcheon w/ pull and thumbpiece attached, interior escutcheon with turnpiece attached, lever, Accurate 9169 TP x L, dust box, strike 1-1/4" LTC, mortise cylinder, bolt cover, 8mm half spindle and mounting hardware.

Entrance Handle Set – T/P x T/P includes exterior escutcheon with pull and thumbpiece attached, interior escutcheon with thumbpiece, pull and turnpiece attached, Accurate 9169 TP x TP, dust box, strike 1-1/4" LTC, mortise cylinder and mounting hardware.

Entrance Handle Set – Lever – FULL DUMMY includes exterior escutcheon w/ pull and fixed thumbpiece attached, interior escutcheon, lever, bolt cover, 8mm half spindle and full dummy mounting hardware.

Entrance Handle Set – T/P x T/P – FULL DUMMY includes exterior escutcheon with pull and fixed thumbpiece attached, interior escutcheon with fixed thumbpiece and full dummy mounting hardware.

Entrance Handle Set – Knob includes exterior escutcheon w/ pull and thumbpiece attached, interior escutcheon with turnpiece attached, knob, Accurate 9169 TP x K, dust box, strike 1-1/4" LTC, mortise cylinder, bolt cover, 8mm half spindle and mounting hardware.

Entrance Handle Set – Knob – FULL DUMMY includes exterior escutcheon w/ pull and fixed thumbpiece attached, interior escutcheon, knob, bolt cover, 8mm half spindle and full dummy mounting hardware.

ENTRANCE KNOB SETS

HOW TO ORDER

1. Specify application.
2. Specify finish. If split finish is required, please indicate exterior/interior.
3. Specify door thickness. Standard thickness is 1-3/4".
4. Specify hand of door - RH/LH.
5. Specify backset.
 - standard for mortise lock is 2-1/2".
 - standard for auxiliary deadbolt is 2-3/8".

SET COMPONENTS

Entrance Knob Set – Mortise Lock includes exterior plate, interior plate with turnpiece, two knobs, 4" swivel spindle (8mm), Accurate 9124 K x K mortise lock (2-1/2" backset), faceplate, strike 1-1/4" LTC, dust box, mortise cylinder and mounting hardware.

Entrance Knob Set – Latch x Auxiliary Deadbolt includes exterior plate, interior plate with turnpiece, two knobs, passage latch K x K (2-3/8" backset), 4" straight spindle (8mm), auxiliary deadbolt (2-3/8" backset), rim cylinder, turnpiece, latch faceplate, deadbolt faceplate, full lip strike, deadbolt strike, dust boxes and mounting hardware. NOTE: our standard spacing between knob hub and auxiliary deadbolt is 5-1/2" c-c.

Entrance Knob Set – FULL DUMMY includes exterior plate, interior plate, two knobs, 4" straight spindle (8mm) and full dummy mounting hardware.

PRODUCT SPECIFICATIONS

ENTRANCE LEVER SETS

HOW TO ORDER

1. Specify application.
2. Specify finish. If split finish is required, please indicate exterior/interior.
3. Specify door thickness. Standard thickness is 1-3/4".
4. Specify hand of door - RH/LH.
5. Specify backset.
 - standard for mortise lock is 2-1/2".
 - standard for latch x auxiliary deadbolt is 2-3/8".

SET COMPONENTS

Entrance Lever Set – Mortise Lock includes exterior plate, interior plate with turnpiece, two levers, 4" swivel spindle (8mm), Accurate 9124 L x L mortise lock (2-1/2" backset), faceplate, strike 1-1/4" LTC, dust box, mortise cylinder and mounting hardware.

Entrance Lever Set – Latch x Auxiliary Deadbolt includes exterior plate, interior plate with turnpiece, two levers, passage latch L x L (2-3/8" backset), 4" straight spindle (8mm), auxiliary deadbolt (2-3/8" backset), rim cylinder, turnpiece, latch faceplate, deadbolt faceplate, full lip strike, deadbolt strike, dust boxes and mounting hardware. NOTE: our standard spacing between lever hub and auxiliary deadbolt is 5-1/2" c-c.

Entrance Lever Set – FULL DUMMY includes exterior plate, interior plate, two levers, 4" straight spindle (8mm) and full mounting hardware.

ENTRANCE KNOB/LEVER SETS – SECTIONAL

HOW TO ORDER

1. Specify application.
2. Specify finish. If split finish is required, please indicate exterior/interior.
3. Specify door thickness. Standard thickness is 1-3/4".
4. Specify hand of door - RH/LH.
5. Specify backset.
 - standard for mortise lock is 2-1/2".
 - standard for latch x auxiliary deadbolt is 2-3/8".

SET COMPONENTS

Knob (Lever) Mortise Entrance Sectional Set includes two rosettes, two knobs (levers), 4" swivel spindle (8mm), turnpiece and plate, cylinder collar, Accurate 9124 K x K (L x L) mortise lock, mortise cylinder, faceplate, strike, dust box and mounting hardware.

Knob (Lever) Latch x Auxiliary Deadbolt Sectional Set includes two rosettes, two knobs (levers), 4" straight spindle (8mm), auxiliary deadbolt turnpiece and plate, cylinder collar, passage latch (2-3/8" backset), auxiliary deadbolt cylinder, faceplates, strikes, dust boxes and mounting hardware.

Knob (Lever) Sectional Set – FULL DUMMY includes two rosettes, two knobs (levers), 4" straight spindle (8mm) and full dummy mounting hardware.

PRODUCT SPECIFICATIONS

MULTI POINT SETS - EURO

HOW TO ORDER

1. Specify application.
2. See our M/P Check Sheet (Form 500) for additional information.
3. Specify finish. If split finish is required, please indicate exterior/interior.
4. Specify door thickness. Standard thickness is 1-3/4".
5. Specify hand of door - RH/LH.
6. Specify fixed or active exterior lever when ordering active dummy set.

SET COMPONENTS

Lever Euro M/P Sets – ENTRANCE includes two escutcheons, two levers, 4" straight spindle (8mm), euro profile cylinder - 62mm - K x TP and mounting hardware. NOTE: our standard spacing between lever hub and the profile cylinder is 92mm.

Lever Euro M/P Sets – FULL DUMMY includes two escutcheons, two levers, 4" straight spindle (8mm), two dummy mount plates and mounting hardware.

Lever Euro M/P Sets – ACTIVE DUMMY includes two escutcheons, two levers, 4" swivel spindle (8mm), dummy mount plates for exterior and mounting hardware.

Lever Euro M/P Sets – PATIO includes exterior escutcheon, interior escutcheon, two levers, 4" straight spindle (8mm), euro profile half cylinder - 31mm and mounting hardware. NOTE: our standard spacing between lever hub and the profile cylinder is 92mm.

MULTI POINT SETS – EURO SECTIONAL

HOW TO ORDER

1. Specify application.
2. Specify finish. If split finish is required, please indicate exterior/interior.
3. Specify door thickness. Standard thickness is 1-3/4".
4. Specify hand of door - RH/LH.
5. Specify fixed or active exterior lever when ordering active dummy set.

SET COMPONENTS

Lever Euro M/P Sectional Set – ENTRANCE includes two rosettes, two levers, 4" straight spindle (8mm), euro profile cylinder - 62mm - K x TP and surface mounting screws.

Lever Euro M/P Sectional Set – FULL DUMMY includes two rosettes, two levers, 4" straight spindle (8mm), full dummy mounting hardware and surface mounting screws.

Lever Euro M/P Sectional Set – ACTIVE DUMMY includes two rosettes, two levers, 4" swivel spindle (8mm), full dummy mounting hardware for exterior rosette.

Lever Euro M/P Sectional Set – PATIO includes two rosettes, two levers, one euro cylinder collar, euro profile half cylinder (31mm), 4" straight spindle (8mm) and surface mounting screws.

M/P WINDOW OPERATORS

HOW TO ORDER

1. Specify finish.
2. Specify 7mm spindle length from edge of window sash.

SET COMPONENTS

M/P Window Trim Set includes one M/P window escutcheon (43mm) w/ lever attached, detent mechanism, 7mm straight spindle and two M5 screws.

PRODUCT SPECIFICATIONS

MULTI POINT SETS – AMERICAN

HOW TO ORDER

1. Specify application.
2. See our M/P Check Sheet (Form 500) for additional information.
3. Specify finish. If split finish is required, please indicate exterior/interior.
4. Specify door thickness. Standard thickness is 1-3/4".
5. Specify hand of door - RH/LH.
6. Specify fixed or active exterior lever when ordering active dummy set.

SET COMPONENTS

Lever Amer M/P Set – ENTRANCE includes two escutcheons, two levers, 4" straight spindle (8mm), American profile cylinder and mounting hardware. NOTE: our standard spacing between lever hub and the profile cylinder is 92mm.

Lever Amer M/P Set – FULL DUMMY includes two escutcheons, two levers, 4" straight spindle (8mm), two dummy mount plates and mounting hardware.

Lever Amer M/P Set – ACTIVE DUMMY includes two escutcheons, two levers, 4" swivel spindle (8mm), dummy mount plates for exterior and mounting hardware.

Lever Amer M/P Set – PATIO includes exterior escutcheon, interior escutcheon (for American profile application turnpiece w/ tailpiece attached to escutcheon), two levers, 4" straight spindle (8mm) and mounting hardware. NOTE: our standard spacing between lever hub and the turnpiece is 92mm.

CREMONES

HOW TO ORDER

1. Specify application.
2. See our Cremona Bolt Check Sheet (Form 503) for additional information.
3. Specify exterior trim - must be ordered separately.
4. Specify finish. If split finish is required, please indicate exterior/interior.
5. Specify door thickness. Standard thickness is 1-3/4".
6. Specify hand of door - RH/LH.
7. Specify door height. Standard is 84".
8. Specify lever height from finished floor. Standard is 36".
9. If mortise or tubular, specify lock/latch type and backset.
 - standard for mortise lock is 2-1/2".
 - standard for tubular is 2-3/8".
10. REMINDER - all cremona sets are interior trim only - NO locks, latches, cremona cassettes (Part #9994) or euro cylinders included.

SET COMPONENTS

Interior Cremona Only – PASSAGE includes cremona housing, lever (attached), upper surface bolt rod w/ rod guides assembled, lower surface bolt rod w/ rod guides assembled, three full guides, two half guides, universal strike, mortise strike, straight spindle (8mm) and mounting hardware.

Interior Cremona Only – PRIVACY includes cremona housing w/ extended turnpiece attached, lever (attached), upper surface bolt rod w/ rod guides assembled, lower surface bolt w/ rod guides assembled, three full guides, two half guides, universal strike, mortise strike, straight spindle (8mm) and mounting hardware.

Interior Cremona Only – HALF DUMMY includes cremona housing, lever (attached), upper surface bolt rod w/ guides assembled, lower surface bolt rod w/ rod guides assembled, three full guides, two half guides, straight spindle (8mm), half dummy mount and mounting hardware.

Interior Cremona Only – M/P EURO – PATIO includes cremona housing (machined for euro profile cylinder), lever (attached), upper surface bolt rod w/ rod guides assembled, lower surface bolt rod w/ rod guides assembled, three full guides, two half guides, straight spindle (8mm) and mounting hardware.

Interior Cremona Only – M/P EURO – ACTIVE DUMMY includes cremona housing, lever (attached), upper surface bolt rod w/ rod guides assembled, lower surface bolt rod w/ rod guides assembled, three full guides, two half guides, straight spindle (8mm) and mounting hardware.

Interior Cremona Only – MORTISE – PATIO includes cremona housing w/ extended turnpiece attached, lever (attached), upper surface bolt rod w/ rod guides assembled, lower surface bolt rod w/ rod guides assembled, two full guides, two half guides, straight spindle (8mm) and mounting hardware.

FULL GUIDE ONLY includes one full guide and mounting hardware.

HALF GUIDE ONLY includes one half guide and mounting hardware.

PRODUCT SPECIFICATIONS

INTERIOR ESCUTCHEON SETS - KNOB

HOW TO ORDER

1. Specify application.
2. Specify finish. If split finish is required, please indicate exterior/interior.
3. Specify door thickness. Standard thickness is 1-3/4".
4. Specify hand of door - RH/LH.
5. Specify backset.
 - standard is 2-3/8" for tubular.
 - standard is 2-1/2" for mortise.

SET COMPONENTS

Knob Escutcheon Set – PASSAGE includes two escutcheons, two knobs, 4" straight spindle (8mm), passage latch K x K (2-3/8" backset), faceplate, full lip strike, dust box and mounting hardware.

Knob Escutcheon Set – PRIVACY includes two escutcheons with privacy pin hole, two knobs, 4" swivel spindle (8mm), privacy latch K x K (2-3/8" backset), privacy pin, faceplate, full lip strike, dust box and mounting hardware.

Knob Escutcheon Set – LATCH x MORTISE BOLT includes an exterior escutcheon w/ EE hole, an interior escutcheon w/ turnpiece attached, two knobs, 4" straight spindle (8mm), passage latch K x K (2-3/8" backset), latch faceplate, full lip strike, mortise bolt (2-3/8" backset), mortise bolt faceplate, mortise bolt strike, dust boxes and mounting hardware. NOTE: our standard spacing between knob hub and mortise bolt is 2-3/4".

Knob Escutcheon Set – FULL DUMMY includes two escutcheons, two knobs, 4" straight spindle (8mm), two dummy mounting plates and mounting hardware.

Knob Escutcheon Set – HALF DUMMY includes an escutcheon, knob, dummy mount spindle and mounting hardware.

Knob Escutcheon Mortise Set – PASSAGE includes two escutcheons, two knobs, 4" straight spindle (8mm), Accurate 9825 K x K interior mortise lock (2-1/2" backset), strike, faceplate, dust box and mounting hardware.

Knob Escutcheon Mortise Set – PRIVACY includes an exterior escutcheon w/ EE hole, an interior escutcheon w/ turnpiece attached, two knobs, 4" straight spindle (8mm), Accurate 9839 K x K interior mortise lock (2-1/2" backset), strike, faceplate, dust box and mounting hardware.

INTERIOR ESCUTCHEON SETS – LEVER

HOW TO ORDER

1. Specify application.
2. Specify finish. If split finish is required, please indicate exterior/interior.
3. Specify door thickness. Standard thickness is 1-3/4".
4. Specify hand of door - RH/LH.
5. Specify backset.
 - standard is 2-3/8" for tubular.
 - standard is 2-1/2" for mortise.

SET COMPONENTS

Lever Escutcheon Set – PASSAGE includes two escutcheons, two levers, 4" straight spindle (8mm), passage latch L x L (2-3/8" backset), faceplate, full lip strike, dust box and mounting hardware.

Lever Escutcheon Set – PRIVACY includes two escutcheons with privacy pin hole, two levers, 4" swivel spindle (8mm), privacy latch L x L (2-3/8" backset), privacy pin, faceplate, full lip strike, dust box and mounting hardware.

Lever Escutcheon Set – LATCH x MORTISE BOLT includes an exterior escutcheon w/ EE hole, an interior escutcheon w/ turnpiece attached, two levers, 4" straight spindle (8mm), passage latch L x L (2-3/8" backset), latch faceplate, full lip strike, mortise bolt (2-3/8" backset), mortise bolt faceplate, mortise bolt strike, dust boxes and mounting hardware. NOTE: our standard spacing between lever hub and mortise bolt is 2-3/4".

Lever Escutcheon Set – FULL DUMMY includes two escutcheons, two levers, 4" straight spindle (8mm), two dummy mounting plates and mounting hardware.

Lever Escutcheon Set – HALF DUMMY includes an escutcheon, lever, dummy mount spindle and mounting hardware.

Lever Escutcheon Mortise Set – PASSAGE includes two escutcheons, two levers, 4" straight spindle (8mm), Accurate 9825 L x L interior mortise lock (2-1/2" backset), strike, faceplate, dust box and mounting hardware.

Lever Escutcheon Mortise Set – PRIVACY includes an exterior escutcheon w/ EE hole, an interior escutcheon w/ turnpiece attached, two levers, 4" straight spindle (8mm), Accurate 9839 L x L interior mortise lock (2-1/2" backset), strike, faceplate, dust box and mounting hardware.

PRODUCT SPECIFICATIONS

INTERIOR KNOB SETS

HOW TO ORDER

1. Specify application.
2. Specify if pre-drilled adapters are required (part #9749).
3. Specify finish. If split finish is required, please indicate exterior/interior.
4. Specify door thickness. Standard thickness is 1-3/8".
5. Specify backset.
 - standard is 2-3/8" for tubular.
 - standard is 2-1/2" for mortise.
6. Specify hand of door - RH/LH for mortise applications.

SET COMPONENTS

Knob Set – PASSAGE includes two rosettes (passage), two knobs, passage latch K x K (2-3/8" backset), full lip strike, latch faceplate, 4" straight spindle (8mm), two rosette mount plates, two rosette mount plate hubs, dust box and mounting hardware. NOTE: if required, order pre-drilled adapter (part #9749) separately.

Knob Set – PRIVACY includes two rosettes (privacy), two knobs, privacy latch K x K (2-3/8" backset), full lip strike, latch faceplate, 4" swivel spindle (8mm), two rosette mount plates, two rosette mount plate hubs, privacy pin, dust box and mounting hardware. NOTE: if required, order pre-drilled adapter (part #9749) separately.

Knob Set – FULL DUMMY includes two rosettes, two knobs, 4" straight spindle (8mm), two dummy rosette mount plates, two rosette mount plate hubs and mounting hardware.

Knob Set – HALF DUMMY includes rosette, knob, dummy mount spindle, rosette mount plate hub and mounting hardware.

Knob Mortise Set – PASSAGE includes two rosettes, two knobs, 4" straight spindle (8mm), Accurate 9825 K x K interior mortise lock (2-1/2" backset), strike, faceplate, dust box and mounting hardware.

Knob Mortise Set – PRIVACY includes two rosettes, two knobs, turnpiece and backplate, emergency egress trim, 4" straight spindle (8mm), Accurate 9839 K x K interior mortise lock (2-1/2" backset), strike, faceplate, dust box and mounting hardware.

INTERIOR LEVER SETS

HOW TO ORDER

1. Specify application.
2. Specify if pre-drilled adapters are required (part #9749).
3. Specify finish. If split finish is required, please indicate exterior/interior.
4. Specify door thickness. Standard thickness is 1-3/8".
5. Specify backset.
 - standard is 2-3/8" for tubular.
 - standard is 2-1/2" for mortise.
6. Specify hand of door - RH/LH for mortise applications.

SET COMPONENTS

Lever Set – PASSAGE includes two rosettes (passage), two levers, passage latch L x L (2-3/8" backset), full lip strike, latch faceplate, 4" straight spindle (8mm), two rosette mount plates, two rosette mount plate hubs, dust box and mounting hardware. NOTE: if required, order pre-drilled adapter (part #9749) separately.

Lever Set – PRIVACY includes two rosettes (privacy), two levers, privacy latch L x L (2-3/8" backset), full lip strike, latch faceplate, 4" swivel spindle (8mm), two rosette mount plates, two rosette mount plate hubs, privacy pin, dust box and mounting hardware. NOTE: if required, order pre-drilled adapter (part #9749) separately.

Lever Set – FULL DUMMY includes two rosettes, two levers, 4" straight spindle (8mm), two dummy rosette mount plates, two rosette mount plate hubs and mounting hardware.

Lever Set – HALF DUMMY includes rosette, lever, dummy mount spindle, rosette mount plate hub and mounting hardware.

Lever Mortise Set – PASSAGE includes two rosettes, two levers, 4" straight spindle (8mm), Accurate 9825 L x L interior mortise lock (2-1/2" backset), strike, faceplate, dust box and mounting hardware.

Lever Mortise Set – PRIVACY includes two rosettes, two levers, turnpiece and backplate, emergency egress trim, 4" straight spindle (8mm), Accurate 9839 L x L interior mortise lock (2-1/2" backset), strike, faceplate, dust box and mounting hardware.

PRODUCT SPECIFICATIONS

PULLS, PUSH PLATES & PULL PLATES

HOW TO ORDER

1. Specify application.
2. Specify finish.
3. Specify door thickness. Standard thickness is 1-3/4".

SET COMPONENTS

Pull includes one pull ONLY and mounting hardware.

Pull w/ Rose includes one pull w/ two roses and mounting hardware.

Pull Plate includes one pull mounted to plate and mounting hardware.

Push Plate includes one push plate ONLY and mounting hardware.

FLUSH PULLS

HOW TO ORDER

1. Specify application.
2. Specify finish.
3. Specify door thickness. Standard thickness is 1-3/4".

SET COMPONENTS

Flush Pull Only includes one flush pull ONLY and mounting hardware.

Flush Pull Set – PASSAGE w/ 9730 includes two flush pulls, one edge pull and mounting hardware.

Flush Pull Set – PASSAGE w/ Accurate 2000 includes two flush pulls, Accurate 2000 edge pull and mounting hardware.

Flush Pull Set – PRIVACY w/ Accurate 2002 includes exterior flush pull w/ EE trim, interior flush pull w/ turnpiece, Accurate 2002 flush pull mortise lock, strike and mounting hardware.

Flush Pull Set – ENTRANCE w/ Accurate 2002 includes exterior flush pull machined for mortise cylinder, interior flush pull w/ turnpiece attached, Accurate 2002 flush pull mortise lock, mortise cylinder, strike and mounting hardware.

AUXILIARY DEADBOLTS

HOW TO ORDER

1. Specify application and collar size.
2. Specify finish. If split finish is required, please indicate exterior/interior.
3. Specify door thickness. Standard thickness is 1-3/4".
4. Specify backset. Standard is 2-3/8".

SET COMPONENTS

Auxiliary Deadbolt Set (KEY x TP) includes exterior cylinder collar, auxiliary deadbolt cylinder w/ tailpiece, strike, faceplate, interior cylinder collar, interior turnpiece and plate, and mounting hardware.

Auxiliary Deadbolt Set (KEY x KEY) includes exterior cylinder collar, two auxiliary deadbolt cylinders w/ tailpiece, strike, faceplate, interior cylinder collar and mounting hardware.

PRODUCT SPECIFICATIONS

SCREEN DOOR KNOB/LEVER SETS

HOW TO ORDER

1. Specify application
2. Specify finish. If split finish is required, please indicate exterior/interior.
3. Specify backset. Standard is 1-1/2".
4. Specify door thickness.
5. Specify hand of door - RH/LH.

SET COMPONENTS

Screen Door Knob (Lever) Sets – PASSAGE includes two escutcheons, two knobs (levers), straight spindle (8mm), Accurate 6525 K x K (L x L) screen door mortise lock (2" backset), strike, faceplate, dust box and mounting hardware.

Screen Door Knob (Lever) Sets – PATIO includes an exterior escutcheon, an interior escutcheon with turnpiece attached, two knobs (levers), straight spindle (8mm), Accurate 6539 K x K (L x L) screen door mortise lock (2" backset), strike, faceplate, dust box and mounting hardware .

Screen Door Knob (Lever) Sets – FULL DUMMY includes two escutcheons, two knobs (levers), straight spindle (8mm), two dummy mounting plates and mounting hardware.

MORTISE BOLTS

HOW TO ORDER

1. Specify application.
2. Specify finish. If split finish is required, please indicate exterior/interior.
3. Specify door thickness. Standard thickness is 1-3/4".
4. Specify backset. Standard is 2-3/8".

SET COMPONENTS

Complete Mortise Bolt Set includes turnpiece and plate, mortise bolt (2-3/8" backset), strike, faceplate, dust box, EE trim and mounting hardware.

Turnpiece and Plate w/ Mortise Bolt includes turnpiece and plate, mortise bolt (2-3/8" backset), strike, faceplate, dust box and mounting hardware.

Turnpiece and Plate includes turnpiece and plate ONLY and mounting hardware.

SURFACE BOLTS

HOW TO ORDER

1. Specify part number for required length, guide and function.
2. Specify finish.
3. Standard knob is 1067...specify any cabinet knob style.

SET COMPONENTS

Surface Bolt includes surface bolt rod with rod guides, knob attached, rod guides, universal strike, mortise strike and mounting hardware.

PRODUCT SPECIFICATIONS

ARCHITECTURAL GRADE HINGES

HOW TO ORDER

1. Specify application - standard or ball bearing.
2. Specify hinge size.
3. Specify finial.
4. Specify finish.

SET COMPONENTS

Architectural Grade Hinges includes hinge, two finials and #12 PHWS.

RESIDENTIAL GRADE HINGES

HOW TO ORDER

1. Specify radius - 1/4" or 5/8".
2. Specify hinge size.
3. Specify finial.
4. Specify finish.

SET COMPONENTS

Residential Grade Hinges includes hinge, two finials and #10 PHWS.



FINISH CHART

FINISH NAME	LACQUER (STANDARD)	WAX (STANDARD)	NO TOP COAT	POWDER COAT
<i>SOLID BRASS LEVEL 1</i>				
ANTIQUE BRASS (AB)	•			
ANTIQUE BURNISHED BRASS (ABB)		•		
BURNISHED BRASS (BB)		•		
OIL RUBBED BRONZE (BZ)	•			
KENSINGTON (KN)		•		
POLISHED ANTIQUE (PA)	•			
POLISHED ANTIQUE — NO LACQUER (PANL)		•		
POLISHED BRASS (PB)	•			
POLISHED BRASS — NO LACQUER (PBNL)			•	
REVERE BRASS (RB)		•		
REVERE TARNISHED (RT)		•		
SATIN BRASS (SB)	•			
SATIN BRASS — NO LACQUER (SBNL)		•		
SATIN TARNISHED (STN)		•		
TARNISHED (TN)		•		
WEATHERED BRASS (WB)	•			
WEATHERED BRONZE (WZ)	•			
<i>SOLID BRASS LEVEL 2</i>				
ANTIQUE BURNISHED NICKEL (ABN)		•		
ANTIQUE NICKEL (AN)	•			
BURNISHED NICKEL (BN)		•		
MATTE BLACK (MB)				•
POLISHED CHROME (PC)			•	
POLISHED NICKEL (PN)			•	
REVERE NICKEL (RN)		•		
SATIN NICKEL (SN)	•			
WEATHERED ANTIQUE NICKEL (WA)	•			
WEATHERED COPPER (WC)	•			
WEATHERED NICKEL (WN)	•			
<i>SOLID BRASS LEVEL 3</i>				
ANTIQUE POLISHED SILVER (APS)		•		
POLISHED SILVER (PS)		•		
SATIN SILVER (SS)		•		
<i>SOLID BRONZE</i>				
AGED IRON (AI)	•			
AGED SILVER (AS)	•			
AGED BRONZE (AZ)	•			
MATTE BLACK (MB)				•
NATURAL BRONZE (NB)			•	
STERLING (ST)	•			

FINISH TYPES

<p>SOLID BRASS LEVEL 1</p>						
	ANTIQUE BRASS (AB)	ANTIQUE BURNISHED BRASS (ABB)	BURNISHED BRASS (BB)	OIL RUBBED BRONZE (BZ)	KENSINGTON (KN)	
						
	POLISHED ANTIQUE (PA)	POLISHED ANTIQUE NO LACQUER (PANL)	POLISHED BRASS (PB)	POLISHED BRASS NO LACQUER (PBNL)	REVERE BRASS (RB)	REVERE TARNISHED (RT)
						
	SATIN BRASS (SB)	SATIN BRASS NO LACQUER (SBNL)	SATIN TARNISHED (STN)	TARNISHED (TN)	WEATHERED BRASS (WB)	WEATHERED BRONZE (WZ)
<p>SOLID BRASS LEVEL 2</p>						
	ANTIQUE BURNISHED NICKEL (ABN)	ANTIQUE NICKEL (AN)	BURNISHED NICKEL (BN)	MATTE BLACK (MB)	POLISHED CHROME (PC)	
						
	POLISHED NICKEL (PN)	REVERE NICKEL (RN)	SATIN NICKEL (SN)	WEATHERED ANTIQUE NICKEL (WA)	WEATHERED COPPER (WC)	WEATHERED NICKEL (WN)

SOLID BRASS LEVEL 3



ANTIQUÉ POLISHED SILVER (APS)



POLISHED SILVER (PS)



SATIN SILVER (SS)

PRICE ON REQUEST



POLISHED GOLD (PG)



SATIN GOLD (SG)

SOLID BRONZE



AGED IRON (AI)



AGED SILVER (AS)



AGED BRONZE (AZ)



MATTE BLACK (MB)



NATURAL BRONZE (NB)



STERLING (ST)

HOW TO ORDER

1. If WAX is required on a standard finish which is lacquered...Add “-WAX” to finish code (example: AB - WAX).
2. If LACQUER is required on a standard finish that is waxed...Add “-LACQUER” to finish code (example: KN - LACQUER). We will send a sample of the finish for your approval.

CUSTOM FINISHES AVAILABLE

Contact us to discuss your requirements.

REMEMBER

1. Wax finish is synonymous with ‘living’ finish and will change and enhance the appearance of the finish over time depending on the location and use.
2. When in doubt, please order a sample to confirm your client’s acceptance.

ADDITIONAL INFORMATION

CAPABILITIES

Classic Brass hardware is finished to order. Our American craftsmen possess years of experience, incredible skill and the artistic eye to create distinctive finishes that are recognized throughout the industry. Art meets science with a combination of highlighting, wax and plating techniques to create rich color tones and hues. You can choose from a wide range of standard finishes, variation of standard finishes or custom finishes to match your unique home and style.

CUSTOMIZATION



HAND HAMMERING

We offer hand hammering as an additional detail for your hardware pieces. Our craftsmen hand hammer this peened texture on the surface of each piece to give a unique finish and touch of flair.



MONOGRAMMING

Whether it's initials, a family crest or company logo, we'll help you leave a mark that lasts. Classic Brass offers monogrammed hardware to add a personal, elegant touch to your home or business.

CARE FOR WAX FINISHES

Apply a clear furniture paste wax and let dry. Using a soft cloth, remove the dried wax and shine to level of desired brightness. A soft bristle brush is recommended to remove any excess wax from low ground or detail (i.e. coin, rope, etc) that may be hard to remove with a cloth.

For best results, paste wax should be applied every 6 months.

**On larger orders, please find a complimentary 1oz. canister of wax enclosed.*

CARE FOR LACQUER FINISHES

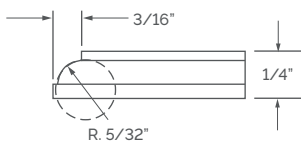
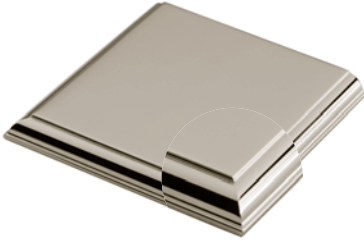
For best results and a lasting finish, we recommend that you maintain lacquer coated products with a mild soap. Rinse and dry thoroughly.



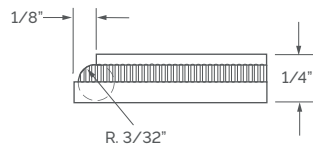
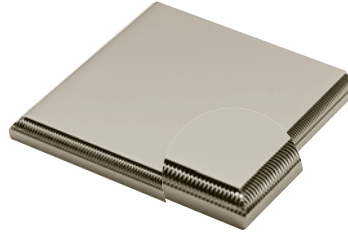


CHAUTAUQUA SQUARE

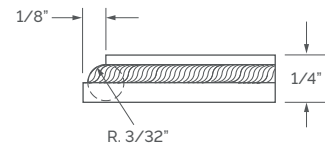
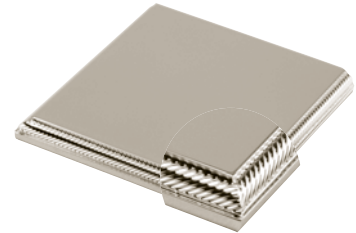
Standard



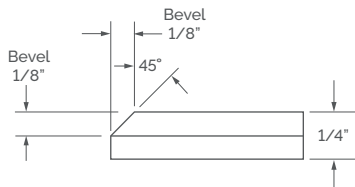
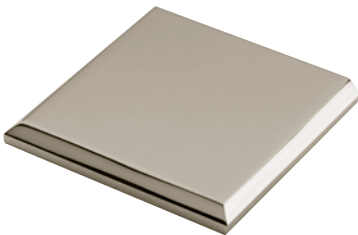
COIN SQUARE



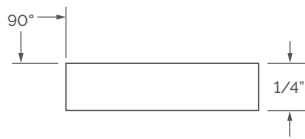
ROPE SQUARE



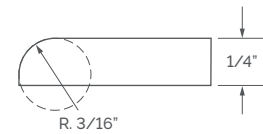
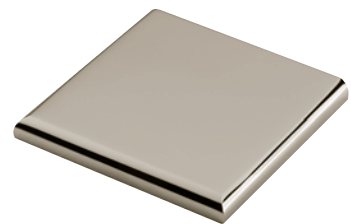
BEVEL SQUARE



SLAB SQUARE



ROLLED SQUARE

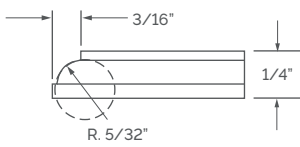


REMEMBER

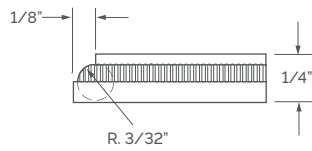
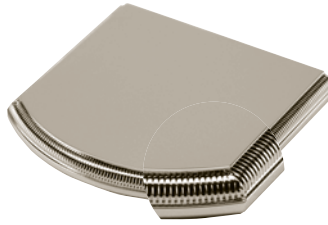
1. Custom escutcheon sizes are available.
2. Standard escutcheon thickness is 1/4" — alternate thickness available upon request.
3. Contact us to discuss custom edge details or profiles.

CHAUTAUQUA EYEBROW

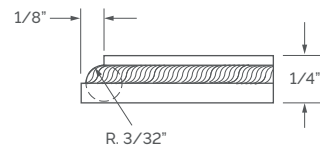
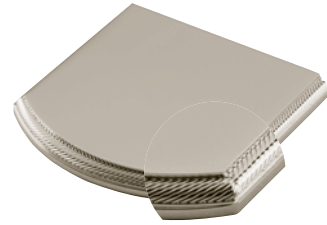
Standard



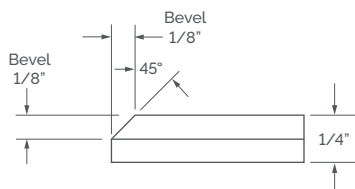
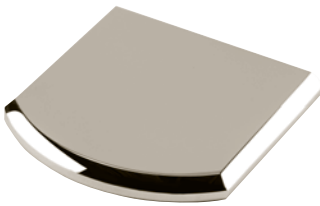
COIN EYEBROW



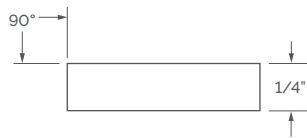
ROPE EYEBROW



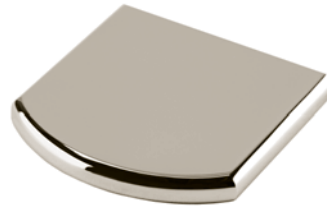
BEVEL EYEBROW



SLAB EYEBROW



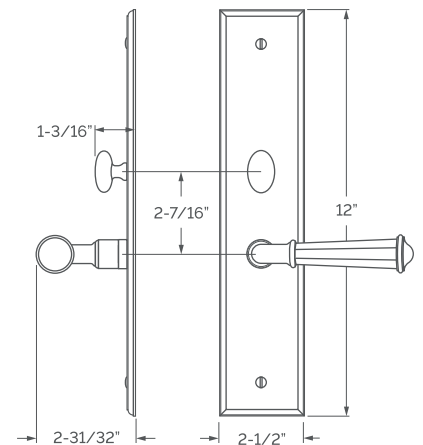
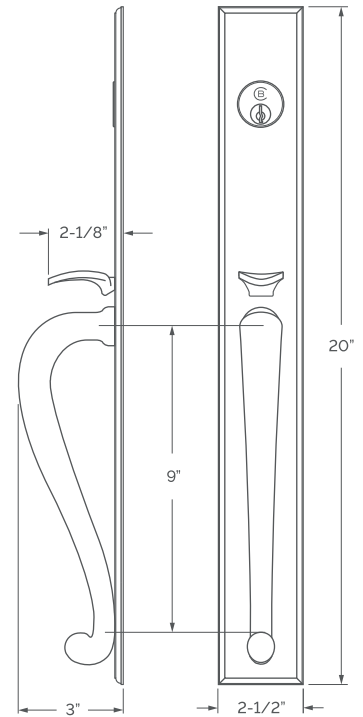
ROLLED EYEBROW



REMEMBER

1. Custom escutcheon sizes are available.
2. Standard escutcheon thickness is 1/4" — alternate thickness available upon request.
3. Contact us to discuss custom edge details or profiles.

ENTRANCE HANDLE SETS



APPLICATIONS

13000 Entrance Handle Set - Lever

13002 Entrance Handle Set - T/P x T/P

13006 Entrance Handle Set - Lever - FULL DUMMY

13007 Entrance Handle Set - T/P x T/P - FULL DUMMY

Above sets include 16200 Lever

13008 Entrance Handle Set - Knob

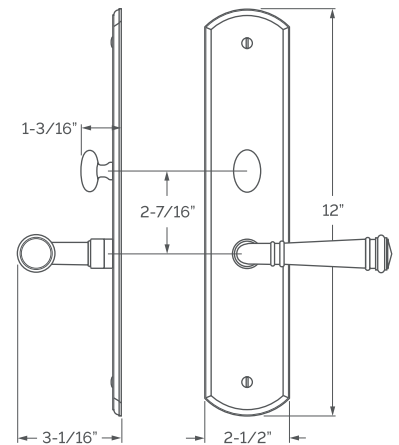
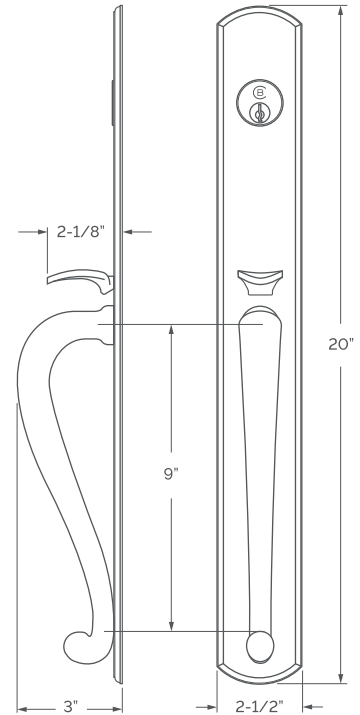
13009 Entrance Handle Set - Knob - FULL DUMMY

Above sets include 14240 Knob

REMEMBER

1. Standard mortise lock is 2-1/2" EE. Specify 2-3/4" if required.
2. All knobs and levers are interchangeable.
3. A door thickness greater than 1-3/4" will require a #9901 thick door kit.
4. Custom escutcheon sizes and drilling available.
5. Chautauqua SQUARE and EYEBROW edge profiles are standard. Additional edge details shown on page C-i and C-ii.
6. Concealed undermount attachment is standard on exterior escutcheon.
Oval slot head wood screws (2/ea) are standard on interior escutcheon.

ENTRANCE HANDLE SETS



APPLICATIONS

- 13010** Entrance Handle Set - Lever
- 13012** Entrance Handle Set - T/P x T/P
- 13016** Entrance Handle Set - Lever - FULL DUMMY
- 13017** Entrance Handle Set - T/P x T/P - FULL DUMMY

Above sets include 16080 Lever

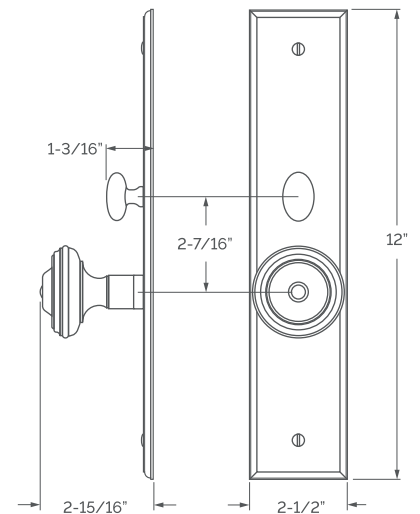
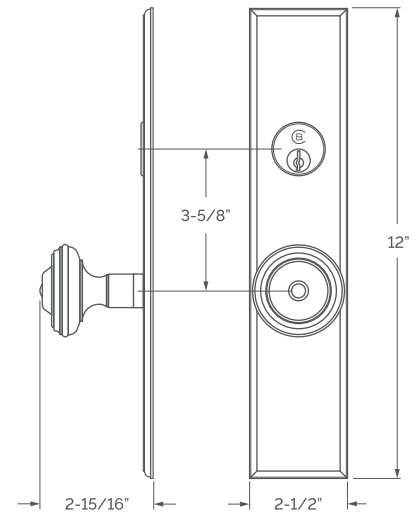
- 13018** Entrance Handle Set - Knob
- 13019** Entrance Handle Set - Knob - FULL DUMMY

Above sets include 14460 Knob

REMEMBER

1. Standard mortise lock is 2-1/2" EE. Specify 2-3/4" if required.
2. All knobs and levers are interchangeable.
3. A door thickness greater than 1-3/4" will require a #9901 thick door kit.
4. Custom escutcheon sizes and drilling available.
5. Chautauqua SQUARE and EYEBROW edge profiles are standard. Additional edge details shown on page C-i and C-ii.
6. Concealed undermount attachment is standard on exterior escutcheon.
Oval slot head wood screws (2/ea) are standard on interior escutcheon.

ENTRANCE KNOB SETS



APPLICATIONS

13110 Knob Mortise Entrance Set

13111 Knob Mortise Entrance Set - FULL DUMMY

13112 Knob Latch x Auxiliary Deadbolt Set

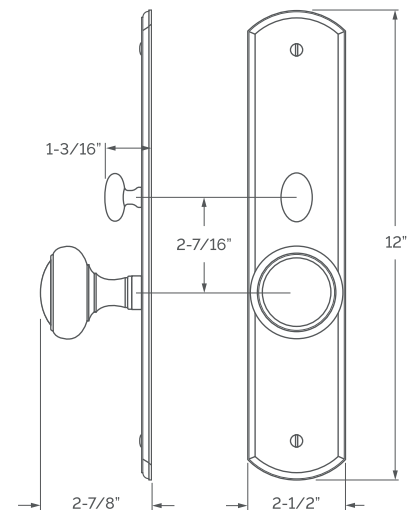
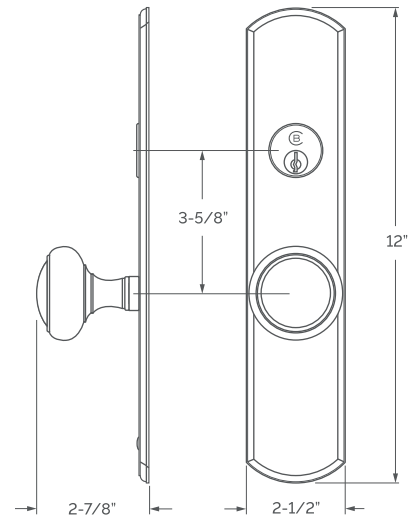
13113 Knob Latch x Auxiliary Deadbolt Set - FULL DUMMY

Above sets include 14240 Knob

REMEMBER

1. Standard mortise lock is 2-1/2" EE. Specify 2-3/4" if required.
2. Standard latch x auxiliary deadbolt: 5-1/2" c-c spacing and 2-3/8" backset. If required, specify 2-3/4" backset.
3. All knobs are interchangeable.
4. A door thickness greater than 1-3/4" will require a #9901 thick door kit for mortise application.
5. Custom escutcheon sizes and drilling available.
6. Chautauqua SQUARE and EYEBROW edge profiles are standard. Additional edge details shown on page C-i and C-ii.
7. Concealed undermount attachment is standard on exterior escutcheon.
Oval slot head machine screws (2/ea) are standard on interior escutcheon.

ENTRANCE KNOB SETS



APPLICATIONS

13116 Knob Mortise Entrance Set

13117 Knob Mortise Entrance Set - FULL DUMMY

13118 Knob Latch x Auxiliary Deadbolt Set

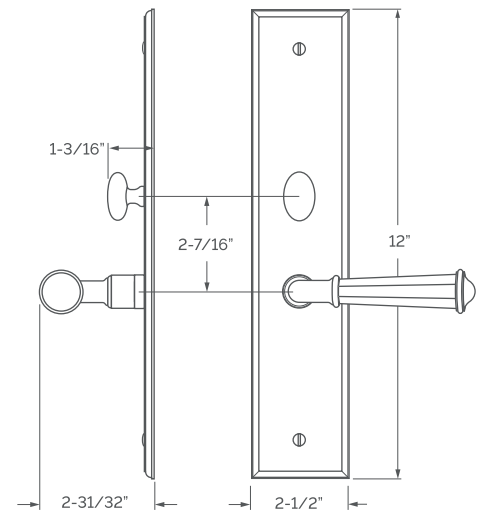
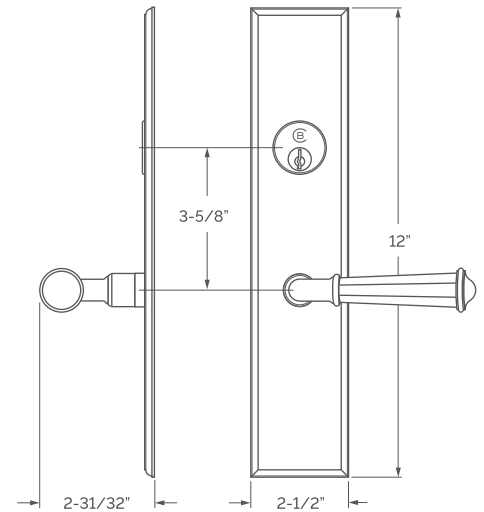
13119 Knob Latch x Auxiliary Deadbolt Set - FULL DUMMY

Above sets include 14460 Knob

REMEMBER

1. Standard mortise lock is 2-1/2" EE. Specify 2-3/4" if required.
2. Standard latch x auxiliary deadbolt: 5-1/2" c-c spacing and 2-3/8" backset. If required, specify 2-3/4" backset.
3. All knobs are interchangeable.
4. A door thickness greater than 1-3/4" will require a #9901 thick door kit for mortise application.
5. Custom escutcheon sizes and drilling available.
6. Chautauqua SQUARE and EYEBROW edge profiles are standard. Additional edge details shown on page C-i and C-ii.
7. Concealed undermount attachment is standard on exterior escutcheon.
Oval slot head machine screws (2/ea) are standard on interior escutcheon.

ENTRANCE LEVER SETS



APPLICATIONS

13150 Lever Mortise Entrance Set

13151 Lever Mortise Entrance Set - FULL DUMMY

13152 Lever Latch x Auxiliary Deadbolt Set

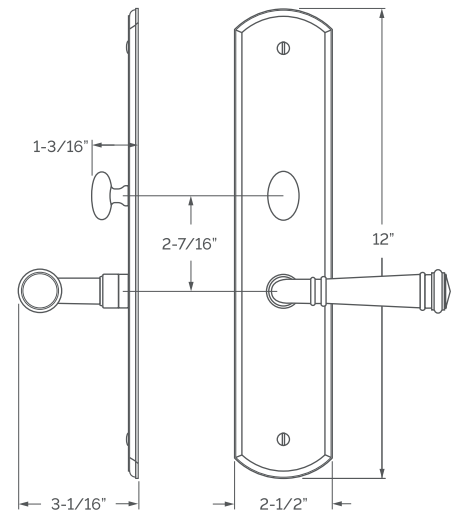
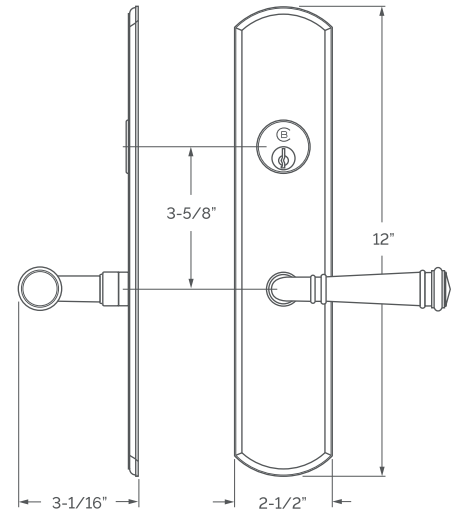
13153 Lever Latch x Auxiliary Deadbolt Set - FULL DUMMY

Above sets include 16200 Lever

REMEMBER

1. Standard mortise lock is 2-1/2" EE. Specify 2-3/4" if required.
2. Standard latch x auxiliary deadbolt: 5-1/2" c-c spacing and 2-3/8" backset. If required, specify 2-3/4" backset.
3. All levers are interchangeable.
4. A door thickness greater than 1-3/4" will require a #9901 thick door kit for mortise application.
5. Custom escutcheon sizes and drilling available.
6. Chautauqua SQUARE and EYEBROW edge profiles are standard. Additional edge details shown on page C-i and C-ii.
7. Concealed undermount attachment is standard on exterior escutcheon.
Oval slot head machine screws (2/ea) are standard on interior escutcheon.

ENTRANCE LEVER SETS



APPLICATIONS

13156 Lever Mortise Entrance Set

13157 Lever Mortise Entrance Set - FULL DUMMY

13158 Lever Latch x Auxiliary Deadbolt Set

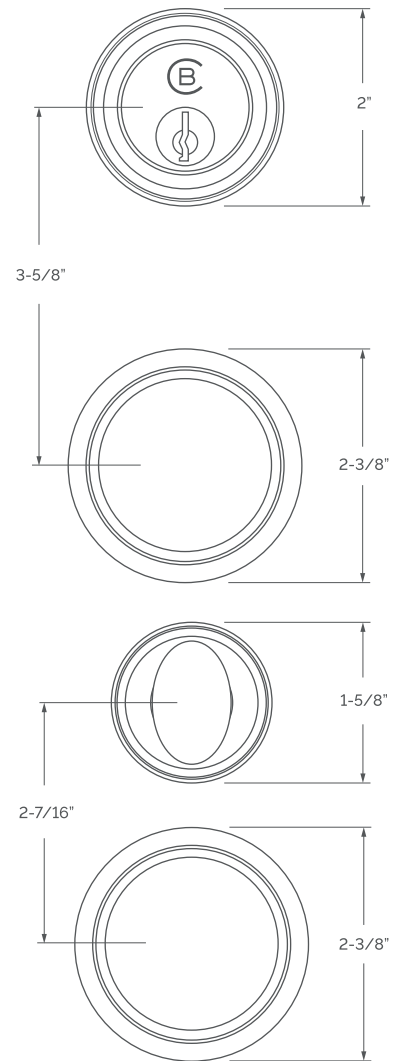
13159 Lever Latch x Auxiliary Deadbolt Set - FULL DUMMY

Above sets include 16080 Lever

REMEMBER

1. Standard mortise lock is 2-1/2" EE. Specify 2-3/4" if required.
2. Standard latch x auxiliary deadbolt: 5-1/2" c-c spacing and 2-3/8" backset. If required, specify 2-3/4" backset.
3. All levers are interchangeable.
4. A door thickness greater than 1-3/4" will require a #9901 thick door kit for mortise application.
5. Custom escutcheon sizes and drilling available.
6. Chautauqua SQUARE and EYEBROW edge profiles are standard. Additional edge details shown on page C-i and C-ii.
7. Concealed undermount attachment is standard on exterior escutcheon.
Oval slot head machine screws (2/ea) are standard on interior escutcheon.

ENTRANCE KNOB SETS - SECTIONAL



APPLICATIONS

13203 Knob Mortise Entrance Sectional Set

13204 Knob Latch x Auxiliary Deadbolt Sectional Set

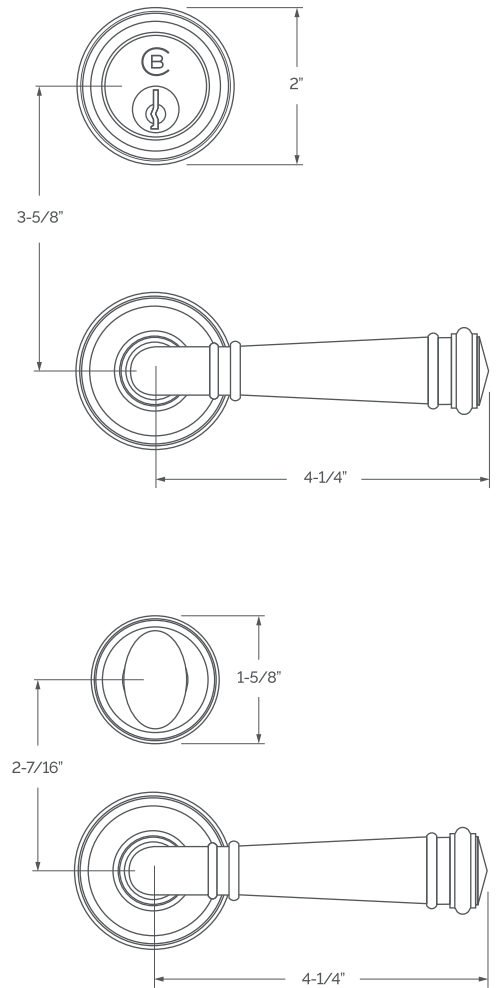
13205 Knob Sectional Set - FULL DUMMY

Above sets include 14460 Knob and 14080 Rose

REMEMBER

1. Standard mortise lock is 2-1/2" EE. Specify 2-3/4" if required.
2. Standard latch x auxiliary deadbolt: 5-1/2" c-c spacing and 2-3/8" backset. If required, specify 2-3/4" backset.
3. All knobs are interchangeable.
4. A door thickness greater than 1-3/4" will require a #9901 thick door kit for mortise application.

ENTRANCE LEVER SETS - SECTIONAL



APPLICATIONS

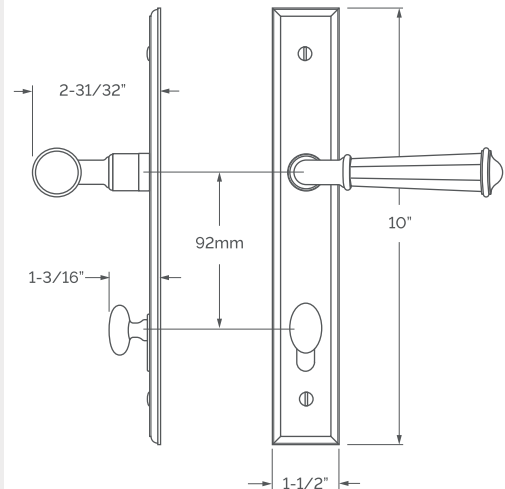
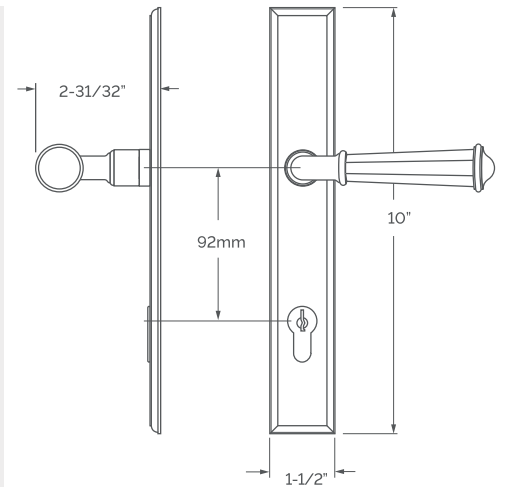
- 13253** Lever Mortise Entrance Sectional Set
- 13254** Lever Latch x Auxiliary Deadbolt Sectional Set
- 13255** Lever Sectional Set - FULL DUMMY

Above sets include 16080 Lever and 14085 Rose

REMEMBER

1. Standard mortise lock is 2-1/2" EE. Specify 2-3/4" if required.
2. Standard latch x auxiliary deadbolt: 5-1/2" c-c spacing and 2-3/8" backset. If required, specify 2-3/4" backset.
3. All levers are interchangeable.
4. A door thickness greater than 1-3/4" will require a #9901 thick door kit for mortise application.

MULTI POINT SETS - EURO

**1-1/2" x 10" 2" x 11" 2-1/2" x 12" MULTI POINT SETS**

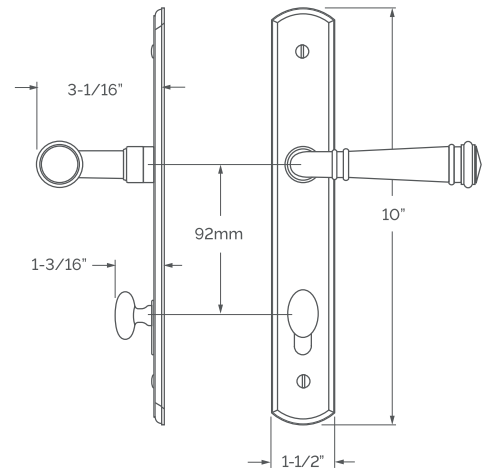
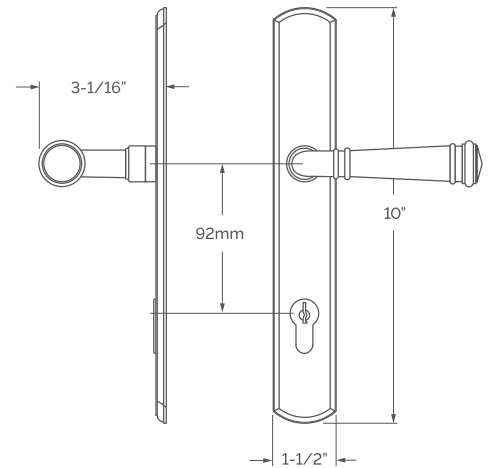
13300	13310	13320	Lever Euro M/P Set - ENTRANCE
13301	13311	13321	Lever Euro M/P Set - FULL DUMMY
13302	13312	13322	Lever Euro M/P Set - ACTIVE DUMMY
13303	13313	13323	Lever Euro M/P Set - PATIO

Above sets include 16200 Lever

REMEMBER

1. Complete our M/P Check Sheet (Form 500).
2. Standard euro profile application is LEVER HIGH – 92mm (hub-cylinder spacing).
3. All levers are interchangeable.
4. Door thickness greater than 1-3/4" will require longer euro cylinders and/or offset cylinders. 62mm KxT/P (31mm x 31mm) and 31mm Half Cylinder is standard for 1-3/4" doors.
5. Cylinders INCLUDED with all applications (collection turnpiece attached).
6. Strike not included.
7. Custom escutcheons size and drilling available.
8. Chautauqua SQUARE and EYEBROW edge profiles are standard. Additional edge details shown on page C-i and C-ii.
9. Euro offset cylinders and custom lengths available upon request.

MULTI POINT SETS - EURO

**1-1/2" x 10" 2" x 11" 2-1/2" x 12" MULTI POINT SETS**

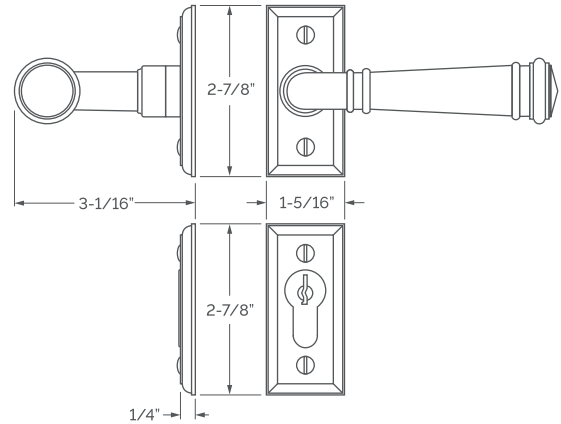
13305	13315	13325	Lever Euro M/P Set - ENTRANCE
13306	13316	13326	Lever Euro M/P Set - FULL DUMMY
13307	13317	13327	Lever Euro M/P Set - ACTIVE DUMMY
13308	13318	13328	Lever Euro M/P Set - PATIO

Above sets include 16080 Lever

REMEMBER

1. Complete our M/P Check Sheet (Form 500).
2. Standard euro profile application is LEVER HIGH – 92mm (hub-cylinder spacing).
3. All levers are interchangeable.
4. Door thickness greater than 1-3/4" will require longer euro cylinders and/or offset cylinders. 62mm KxT/P (31mm x 31mm) and 31mm Half Cylinder is standard for 1-3/4" doors.
5. Cylinders INCLUDED with all applications (collection turnpiece attached).
6. Strike not included.
7. Custom escutcheons size and drilling available.
8. Chautauqua SQUARE and EYEBROW edge profiles are standard. Additional edge details shown on page C-i and C-ii.
9. Euro offset cylinders and custom lengths available upon request.

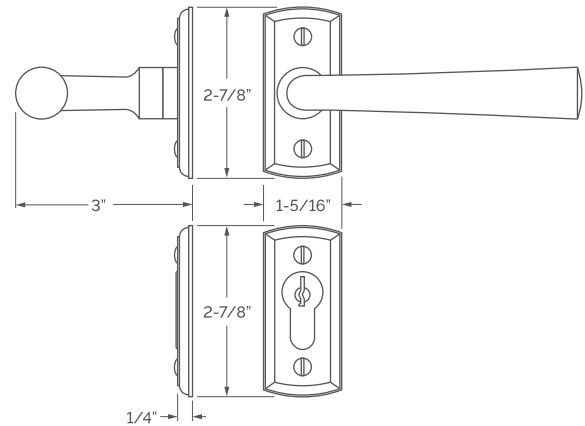
MULTI POINT SETS - EURO SECTIONAL



APPLICATIONS

- 13400** Lever Euro M/P Sectional Set - ENTRANCE
- 13401** Lever Euro M/P Sectional Set - FULL DUMMY
- 13402** Lever Euro M/P Sectional Set - ACTIVE DUMMY
- 13403** Lever Euro M/P Sectional Set - PATIO

Above sets include 16080 Lever

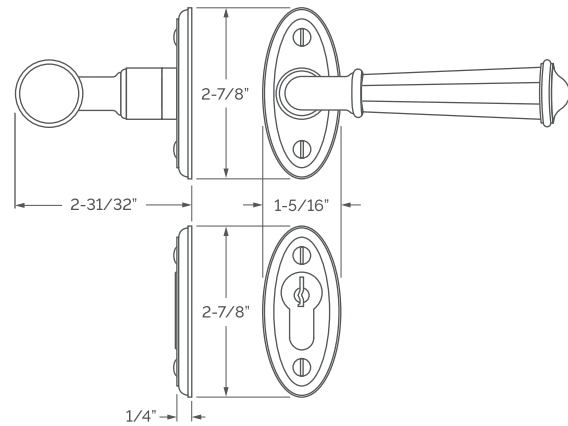


APPLICATIONS

- 13405** Lever Euro M/P Sectional Set - ENTRANCE
- 13406** Lever Euro M/P Sectional Set - FULL DUMMY
- 13407** Lever Euro M/P Sectional Set - ACTIVE DUMMY
- 13408** Lever Euro M/P Sectional Set - PATIO

Above sets include 16300 Lever

MULTI POINT SETS - EURO SECTIONAL



APPLICATIONS

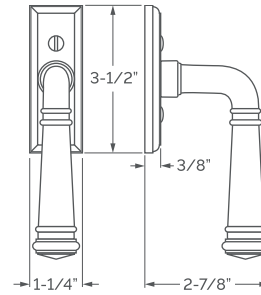
- 13410** Lever Euro M/P Sectional Set - ENTRANCE
- 13411** Lever Euro M/P Sectional Set - FULL DUMMY
- 13412** Lever Euro M/P Sectional Set - ACTIVE DUMMY
- 13413** Lever Euro M/P Sectional Set - PATIO

Above sets include 16200 Lever

REMEMBER

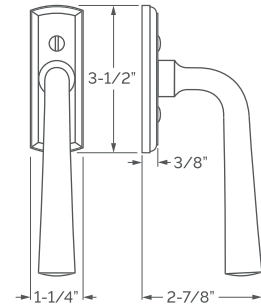
1. VERIFY door prep will be fully covered by sectional trim.
2. Standard euro profile application is LEVER HIGH – 92mm (hub-cylinder spacing).
3. Door thickness greater than 1-3/4" will require longer euro cylinders and/or offset cylinders. 62mm KxT/P (31mm x 31mm) and 31mm Half Cylinder is standard for 1-3/4" doors.
4. Cylinders INCLUDED with all applications (collection turnpiece attached).
5. Custom rose and cylinder collar sizes available.
6. Strike not included.
7. Euro offset cylinders and custom lengths available upon request.

MULTI POINT WINDOW OPERATORS



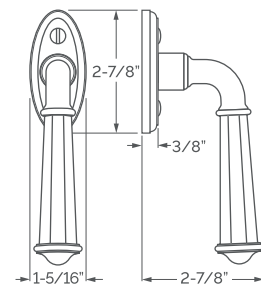
APPLICATIONS

13470 M/P Window Trim Set
Above set includes 16080 Lever



APPLICATIONS

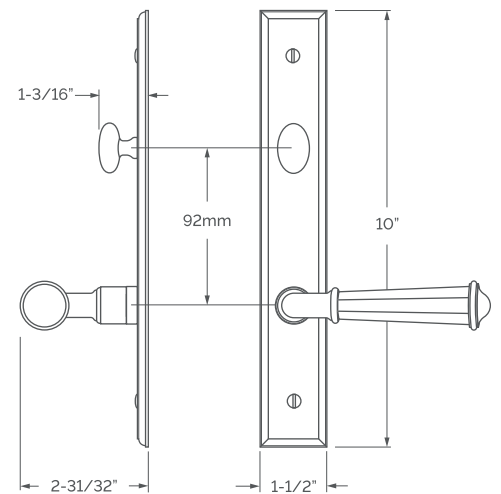
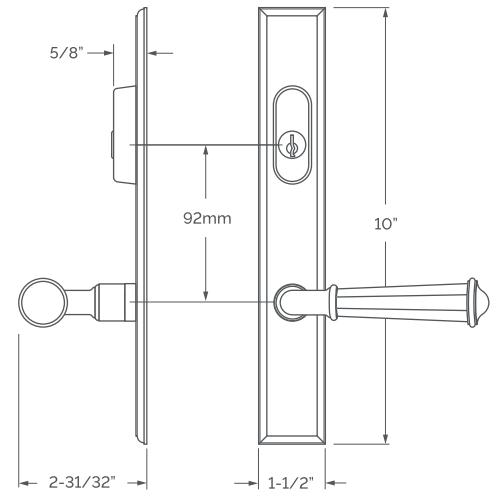
13471 M/P Window Trim Set
Above set includes 16300 Lever



APPLICATIONS

13472 M/P Window Trim Set
Above set includes 16200 Lever

MULTI POINT SETS - AMERICAN

**1-1/2" x 10" 2" x 11" 2-1/2" x 12" MULTI POINT SETS**

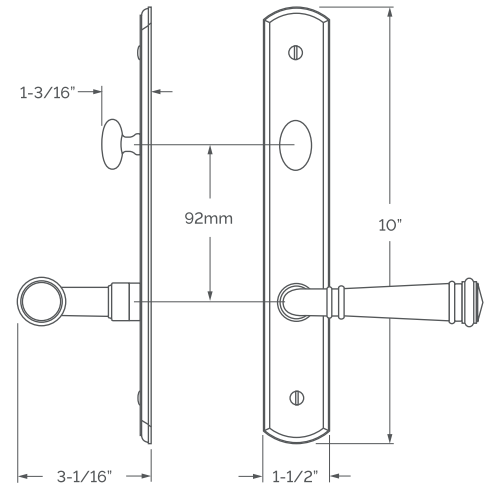
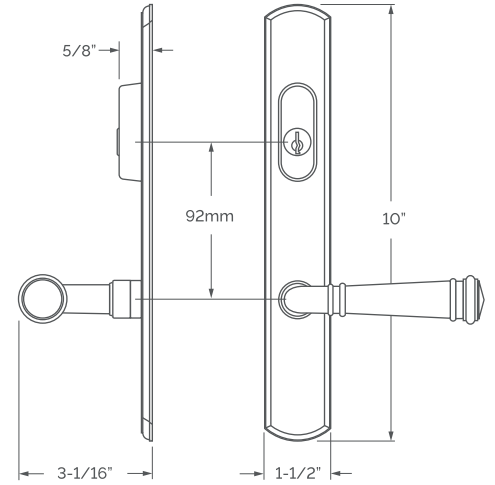
13500	13510	13520	Lever Amer M/P Set - ENTRANCE
13501	13511	13521	Lever Amer M/P Set - FULL DUMMY
13502	13512	13522	Lever Amer M/P Set - ACTIVE DUMMY
13503	13513	13523	Lever Amer M/P Set - PATIO

Above sets include 16200 Lever

REMEMBER

1. Complete our M/P Check Sheet (Form 500).
2. Standard M/P American cylinder applications: LEVER LOW- 92mm spacing.
3. Specify LEVER HIGH or custom c-c spacing if required.
4. All levers are interchangeable.
5. American cylinder included with Entrance function only.
6. Strike not included.
7. Custom escutcheons size and drilling available.
8. Chautauqua SQUARE and EYEBROW edge profiles are standard. Additional edge details shown on page C-i and C-ii.

MULTI POINT SETS - AMERICAN



1-1/2" x 10" 2" x 11" 2-1/2" x 12" MULTI POINT SETS

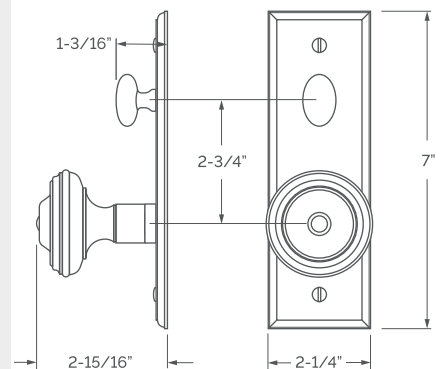
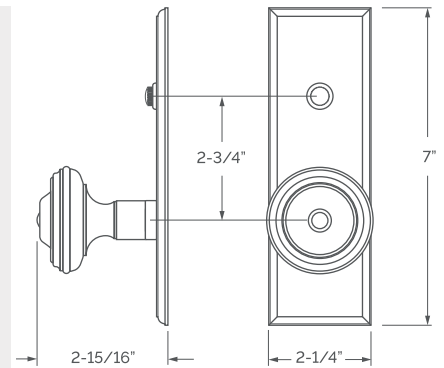
13505	13515	13525	Lever Amer M/P Set - ENTRANCE
13506	13516	13526	Lever Amer M/P Set - FULL DUMMY
13507	13517	13527	Lever Amer M/P Set - ACTIVE DUMMY
13508	13518	13528	Lever Amer M/P Set - PATIO

Above sets include 16080 Lever

REMEMBER

1. Complete our M/P Check Sheet (Form 500).
2. Standard M/P American cylinder applications: LEVER LOW- 92mm spacing.
3. Specify LEVER HIGH or custom c-c spacing if required.
4. All levers are interchangeable.
5. American cylinder included with Entrance function only.
6. Strike not included.
7. Custom escutcheons size and drilling available.
8. Chautauqua SQUARE and EYEBROW edge profiles are standard. Additional edge details shown on page C-i and C-ii.

INTERIOR ESCUTCHEON SETS - KNOB



2-1/4" x 7" ESCUTCHEON SETS

- 13600** Knob Escutcheon Set - PASSAGE
- 13601** Knob Escutcheon Set - PRIVACY
- 13602** Knob Escutcheon Set - LATCH x M/B
- 13603** Knob Escutcheon Set - FULL DUMMY
- 13604** Knob Escutcheon Set - HALF DUMMY

- 13605** Knob Escutcheon Mortise Set - PASSAGE
- 13606** Knob Escutcheon Mortise Set - PRIVACY

Above sets include 14240 Knob

1-1/2" x 10" ESCUTCHEON SETS

- 13620** Knob Escutcheon Set - PASSAGE
- 13622** Knob Escutcheon Set - LATCH x M/B
- 13623** Knob Escutcheon Set - FULL DUMMY
- 13624** Knob Escutcheon Set - HALF DUMMY

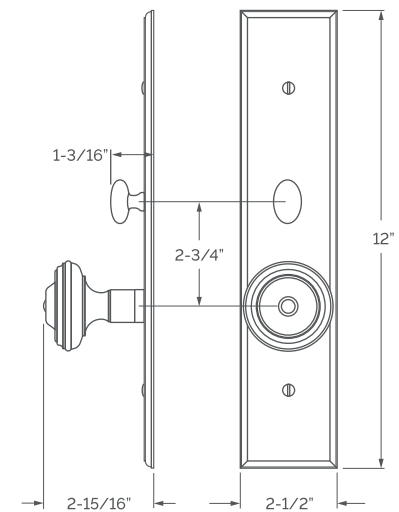
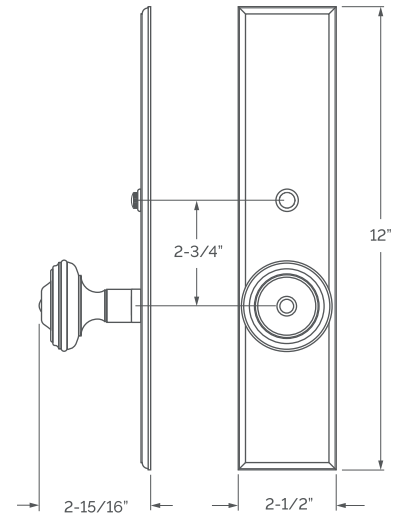
- 13625** Knob Escutcheon Mortise Set - PASSAGE
- 13626** Knob Escutcheon Mortise Set - PRIVACY

Above sets include 14240 Knob

REMEMBER

1. Specify interior mortise lock for quality installations.
2. All knobs are interchangeable.
3. FULL LIP strikes are standard. Specify SUB "T" strike, if required.

INTERIOR ESCUTCHEON SETS - KNOB



2" x 11" ESCUTCHEON SETS

- 13640** Knob Escutcheon Set - PASSAGE
- 13642** Knob Escutcheon Set - LATCH x M/B
- 13643** Knob Escutcheon Set - FULL DUMMY
- 13644** Knob Escutcheon Set - HALF DUMMY

- 13645** Knob Escutcheon Mortise Set - PASSAGE
- 13646** Knob Escutcheon Mortise Set - PRIVACY

Above sets include 14240 Knob

2-1/2" x 12" ESCUTCHEON SETS

- 13660** Knob Escutcheon Set - PASSAGE
- 13661** Knob Escutcheon Set - PRIVACY
- 13662** Knob Escutcheon Set - LATCH x M/B
- 13663** Knob Escutcheon Set - FULL DUMMY
- 13664** Knob Escutcheon Set - HALF DUMMY

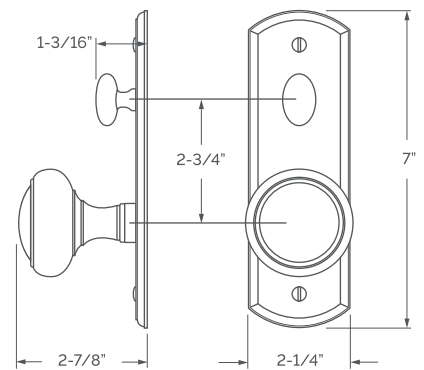
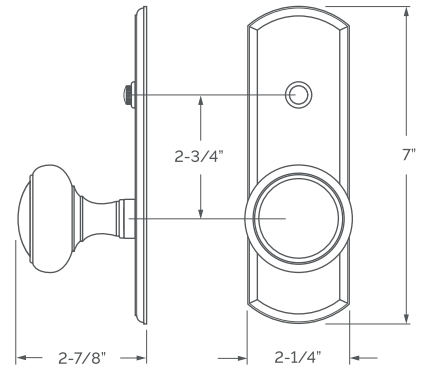
- 13665** Knob Escutcheon Mortise Set - PASSAGE
- 13666** Knob Escutcheon Mortise Set - PRIVACY

Above sets include 14240 Knob

REMEMBER

4. Standard backset is 2-3/8" for tubular. If required, specify 2-3/4".
Standard backset is 2-1/2" for mortise. If required, specify 2-3/4".
5. A door thickness greater than 1-3/4" will require a #9900 thick door kit for mortise application.
6. Custom escutcheon sizes and drilling available.

INTERIOR ESCUTCHEON SETS - KNOB



2-1/4" x 7" ESCUTCHEON SETS

- 13610** Knob Escutcheon Set - PASSAGE
- 13611** Knob Escutcheon Set - PRIVACY
- 13612** Knob Escutcheon Set - LATCH x M/B
- 13613** Knob Escutcheon Set - FULL DUMMY
- 13614** Knob Escutcheon Set - HALF DUMMY

- 13615** Knob Escutcheon Mortise Set - PASSAGE
- 13616** Knob Escutcheon Mortise Set - PRIVACY

Above sets include 14460 Knob

1-1/2" x 10" ESCUTCHEON SETS

- 13630** Knob Escutcheon Set - PASSAGE
- 13632** Knob Escutcheon Set - LATCH x M/B
- 13633** Knob Escutcheon Set - FULL DUMMY
- 13634** Knob Escutcheon Set - HALF DUMMY

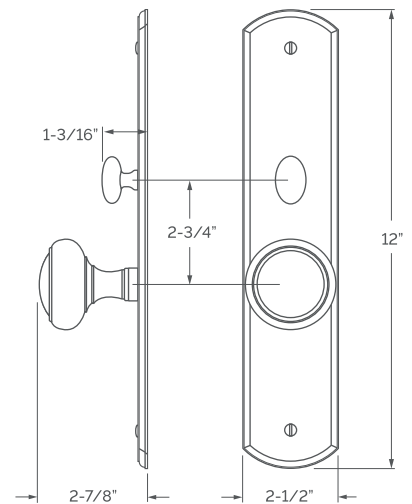
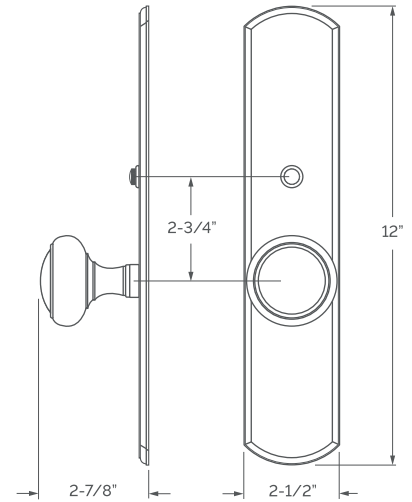
- 13635** Knob Escutcheon Mortise Set - PASSAGE
- 13636** Knob Escutcheon Mortise Set - PRIVACY

Above sets include 14460 Knob

REMEMBER

7. Chautauqua SQUARE and EYEBROW edge profiles are standard. Additional edge details shown on page C-i and C-ii.
8. Combination strike and faceplate available for latch x mortise bolt function.
9. Concealed undermount attachment is standard on exterior escutcheon.
Oval slot head machine screws (2/ea) are standard on interior escutcheon.

INTERIOR ESCUTCHEON SETS - KNOB



2" x 11" ESCUTCHEON SETS

- 13650** Knob Escutcheon Set - PASSAGE
- 13652** Knob Escutcheon Set - LATCH x M/B
- 13653** Knob Escutcheon Set - FULL DUMMY
- 13654** Knob Escutcheon Set - HALF DUMMY

- 13655** Knob Escutcheon Mortise Set - PASSAGE
- 13656** Knob Escutcheon Mortise Set - PRIVACY

Above sets include 14460 Knob

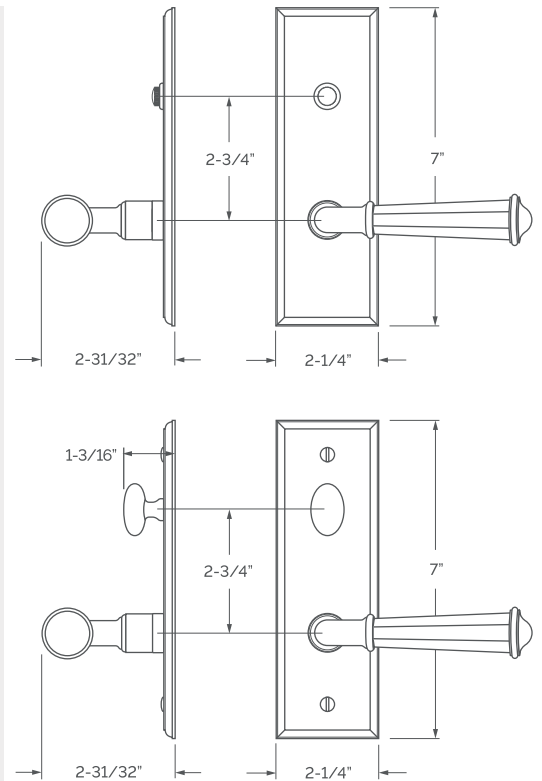
2-1/2" x 12" ESCUTCHEON SETS

- 13670** Knob Escutcheon Set - PASSAGE
- 13671** Knob Escutcheon Set - PRIVACY
- 13672** Knob Escutcheon Set - LATCH x M/B
- 13673** Knob Escutcheon Set - FULL DUMMY
- 13674** Knob Escutcheon Set - HALF DUMMY

- 13675** Knob Escutcheon Mortise Set - PASSAGE
- 13676** Knob Escutcheon Mortise Set - PRIVACY

Above sets include 14460 Knob

INTERIOR ESCUTCHEON SETS - LEVER



2-1/4" x 7" ESCUTCHEON SETS

- 13700** Lever Escutcheon Set - PASSAGE
- 13701** Lever Escutcheon Set - PRIVACY
- 13702** Lever Escutcheon Set - LATCH x M/B
- 13703** Lever Escutcheon Set - FULL DUMMY
- 13704** Lever Escutcheon Set - HALF DUMMY

- 13705** Lever Escutcheon Mortise Set - PASSAGE
- 13706** Lever Escutcheon Mortise Set - PRIVACY

Above sets include 16200 Lever

1-1/2" x 10" ESCUTCHEON SETS

- 13720** Lever Escutcheon Set - PASSAGE
- 13722** Lever Escutcheon Set - LATCH x M/B
- 13723** Lever Escutcheon Set - FULL DUMMY
- 13724** Lever Escutcheon Set - HALF DUMMY

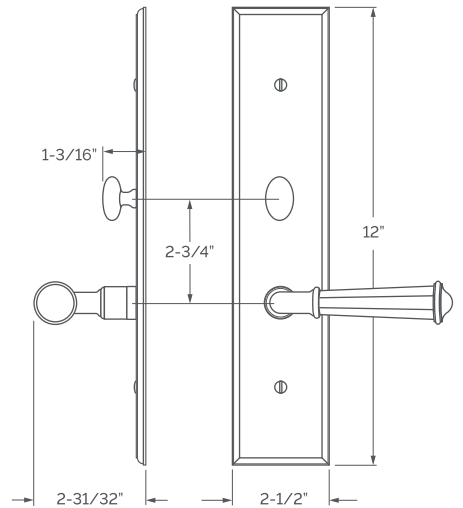
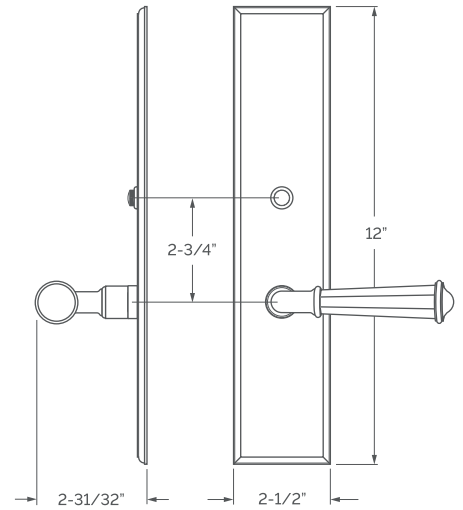
- 13725** Lever Escutcheon Mortise Set - PASSAGE
- 13726** Lever Escutcheon Mortise Set - PRIVACY

Above sets include 16200 Lever

REMEMBER

1. Specify interior mortise lock for quality installations.
2. All levers are interchangeable.
3. FULL LIP strikes are standard. Specify SUB "T" strike, if required.

INTERIOR ESCUTCHEON SETS - LEVER



2" x 11" ESCUTCHEON SETS

- 13740** Lever Escutcheon Set - PASSAGE
- 13742** Lever Escutcheon Set - LATCH x M/B
- 13743** Lever Escutcheon Set - FULL DUMMY
- 13744** Lever Escutcheon Set - HALF DUMMY

- 13745** Lever Escutcheon Mortise Set - PASSAGE
- 13746** Lever Escutcheon Mortise Set - PRIVACY

Above sets include 16200 Lever

2-1/2" x 12" ESCUTCHEON SETS

- 13760** Lever Escutcheon Set - PASSAGE
- 13761** Lever Escutcheon Set - PRIVACY
- 13762** Lever Escutcheon Set - LATCH x M/B
- 13763** Lever Escutcheon Set - FULL DUMMY
- 13764** Lever Escutcheon Set - HALF DUMMY

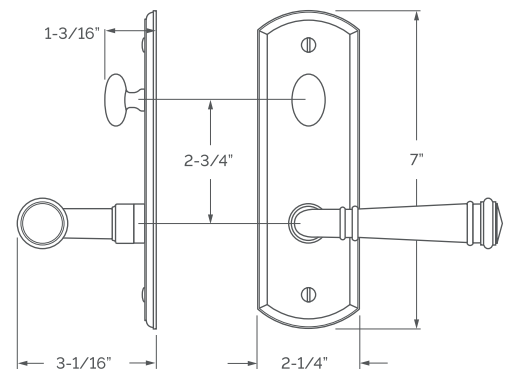
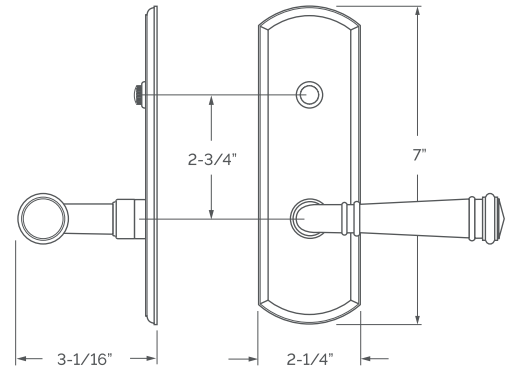
- 13765** Lever Escutcheon Mortise Set - PASSAGE
- 13766** Lever Escutcheon Mortise Set - PRIVACY

Above sets include 16200 Lever

REMEMBER

4. Standard backset is 2-3/8" for tubular. If required, specify 2-3/4".
Standard backset is 2-1/2" for mortise. If required, specify 2-3/4".
5. A door thickness greater than 1-3/4" will require a #9900 thick door kit for mortise application.
6. Custom escutcheon sizes and drilling available.

INTERIOR ESCUTCHEON SETS - LEVER



2-1/4" x 7" ESCUTCHEON SETS

- 13710** Lever Escutcheon Set - PASSAGE
- 13711** Lever Escutcheon Set - PRIVACY
- 13712** Lever Escutcheon Set - LATCH x M/B
- 13713** Lever Escutcheon Set - FULL DUMMY
- 13714** Lever Escutcheon Set - HALF DUMMY

- 13715** Lever Escutcheon Mortise Set - PASSAGE
- 13716** Lever Escutcheon Mortise Set - PRIVACY

Above sets include 16080 Lever

1-1/2" x 10" ESCUTCHEON SETS

- 13730** Lever Escutcheon Set - PASSAGE
- 13732** Lever Escutcheon Set - LATCH x M/B
- 13733** Lever Escutcheon Set - FULL DUMMY
- 13734** Lever Escutcheon Set - HALF DUMMY

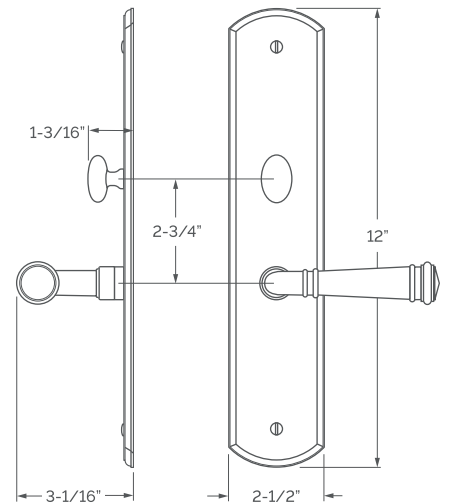
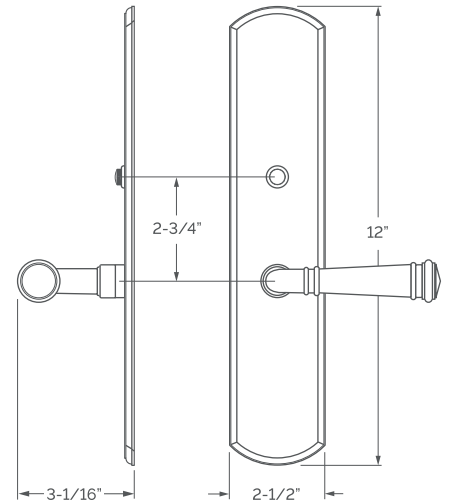
- 13735** Lever Escutcheon Mortise Set - PASSAGE
- 13736** Lever Escutcheon Mortise Set - PRIVACY

Above sets include 16080 Lever

REMEMBER

7. Chautauqua SQUARE and EYEBROW edge profiles are standard. Additional edge details shown on page C-i and C-ii.
8. Combination strike and faceplate available for latch x mortise bolt function.
9. Concealed undermount attachment is standard on exterior escutcheon.
Oval slot head machine screws (2/ea) are standard on interior escutcheon.

INTERIOR ESCUTCHEON SETS - LEVER



2" x 11" ESCUTCHEON SETS

- 13750** Lever Escutcheon Set - PASSAGE
- 13752** Lever Escutcheon Set - LATCH x M/B
- 13753** Lever Escutcheon Set - FULL DUMMY
- 13754** Lever Escutcheon Set - HALF DUMMY

- 13755** Lever Escutcheon Mortise Set - PASSAGE
- 13756** Lever Escutcheon Mortise Set - PRIVACY

Above sets include 16080 Lever

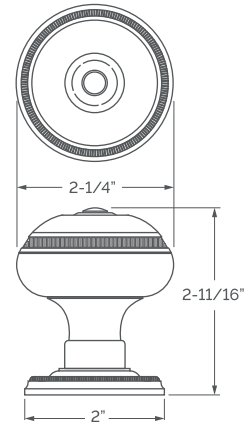
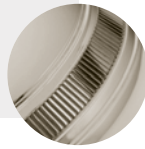
2-1/2" x 12" ESCUTCHEON SETS

- 13770** Lever Escutcheon Set - PASSAGE
- 13771** Lever Escutcheon Set - PRIVACY
- 13772** Lever Escutcheon Set - LATCH x M/B
- 13773** Lever Escutcheon Set - FULL DUMMY
- 13774** Lever Escutcheon Set - HALF DUMMY

- 13775** Lever Escutcheon Mortise Set - PASSAGE
- 13776** Lever Escutcheon Mortise Set - PRIVACY

Above sets include 16080 Lever

INTERIOR KNOB SETS



2" ROSE SETS

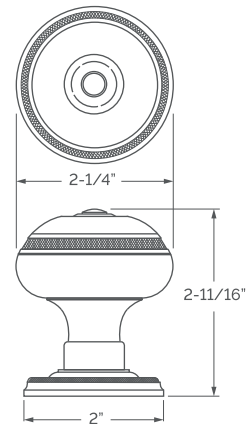
- 14001** Coin Knob Set - PASSAGE
- 14002** Coin Knob Set - PRIVACY
- 14003** Coin Knob Set - SECTIONAL PRIVACY
- 14004** Coin Knob Set - FULL DUMMY
- 14005** Coin Knob Set - HALF DUMMY

- 14008** Coin Knob Mortise Set - PASSAGE
- 14009** Coin Knob Mortise Set - PRIVACY

2-9/16" ROSE SETS

- 14011** Coin Knob Set - PASSAGE
- 14012** Coin Knob Set - PRIVACY
- 14013** Coin Knob Set - SECTIONAL PRIVACY
- 14014** Coin Knob Set - FULL DUMMY
- 14015** Coin Knob Set - HALF DUMMY

- 14000** Coin Knob Only 2-1/4"
- 14082** Coin Rose Only 2"
- 14092** Coin Rose Only 2-9/16"



2" ROSE SETS

- 14021** Cross Hatch Knob Set - PASSAGE
- 14022** Cross Hatch Knob Set - PRIVACY
- 14023** Cross Hatch Knob Set - SECTIONAL PRIVACY
- 14024** Cross Hatch Knob Set - FULL DUMMY
- 14025** Cross Hatch Knob Set - HALF DUMMY

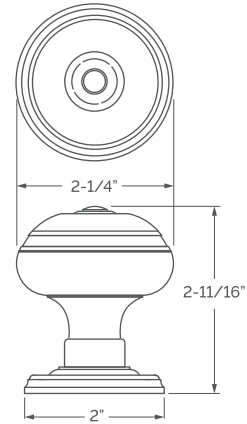
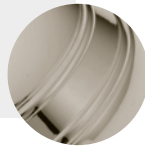
- 14028** Cross Hatch Knob Mortise Set - PASSAGE
- 14029** Cross Hatch Knob Mortise Set - PRIVACY

2-9/16" ROSE SETS

- 14031** Cross Hatch Knob Set - PASSAGE
- 14032** Cross Hatch Knob Set - PRIVACY
- 14033** Cross Hatch Knob Set - SECTIONAL PRIVACY
- 14034** Cross Hatch Knob Set - FULL DUMMY
- 14035** Cross Hatch Knob Set - HALF DUMMY

- 14020** Cross Hatch Knob Only 2-1/4"
- 14084** Cross Hatch Rose Only 2"
- 14094** Cross Hatch Rose Only 2-9/16"

INTERIOR KNOB SETS



2" ROSE SETS

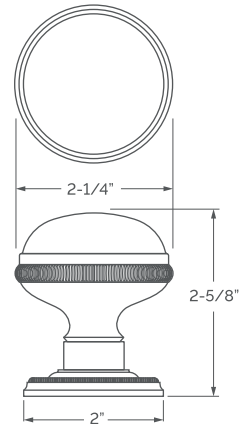
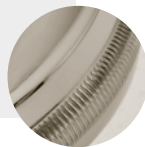
- 14041** Knob Set - PASSAGE
- 14042** Knob Set - PRIVACY
- 14043** Knob Set - SECTIONAL PRIVACY
- 14044** Knob Set - FULL DUMMY
- 14045** Knob Set - HALF DUMMY

- 14048** Knob Mortise Set - PASSAGE
- 14049** Knob Mortise Set - PRIVACY

2-9/16" ROSE SETS

- 14051** Knob Set - PASSAGE
- 14052** Knob Set - PRIVACY
- 14053** Knob Set - SECTIONAL PRIVACY
- 14054** Knob Set - FULL DUMMY
- 14055** Knob Set - HALF DUMMY

- 14040** Knob Only 2-1/4"
- 14080** Rose Only 2"
- 14090** Rose Only 2-9/16"



2" ROSE SETS

- 14101** Coin Knob Set - PASSAGE
- 14102** Coin Knob Set - PRIVACY
- 14103** Coin Knob Set - SECTIONAL PRIVACY
- 14104** Coin Knob Set - FULL DUMMY
- 14105** Coin Knob Set - HALF DUMMY

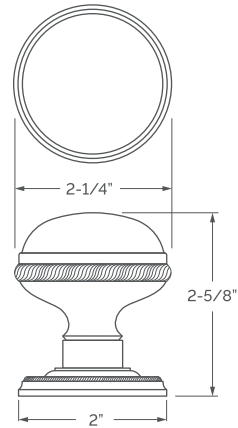
- 14108** Coin Knob Mortise Set - PASSAGE
- 14109** Coin Knob Mortise Set - PRIVACY

2-9/16" ROSE SETS

- 14111** Coin Knob Set - PASSAGE
- 14112** Coin Knob Set - PRIVACY
- 14113** Coin Knob Set - SECTIONAL PRIVACY
- 14114** Coin Knob Set - FULL DUMMY
- 14115** Coin Knob Set - HALF DUMMY

- 14100** Coin Knob Only 2-1/4"
- 14082** Coin Rose Only 2"
- 14092** Coin Rose Only 2-9/16"

INTERIOR KNOB SETS



2" ROSE SETS

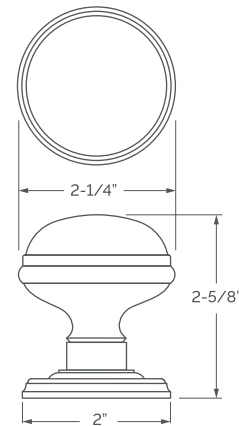
- 14121** Rope Knob Set - PASSAGE
- 14122** Rope Knob Set - PRIVACY
- 14123** Rope Knob Set - SECTIONAL PRIVACY
- 14124** Rope Knob Set - FULL DUMMY
- 14125** Rope Knob Set - HALF DUMMY

- 14128** Rope Knob Mortise Set - PASSAGE
- 14129** Rope Knob Mortise Set - PRIVACY

2-9/16" ROSE SETS

- 14131** Rope Knob Set - PASSAGE
- 14132** Rope Knob Set - PRIVACY
- 14133** Rope Knob Set - SECTIONAL PRIVACY
- 14134** Rope Knob Set - FULL DUMMY
- 14135** Rope Knob Set - HALF DUMMY

- 14120** Rope Knob Only 2-1/4"
- 14081** Rope Rose Only 2"
- 14091** Rope Rose Only 2-9/16"



2" ROSE SETS

- 14141** Knob Set - PASSAGE
- 14142** Knob Set - PRIVACY
- 14143** Knob Set - SECTIONAL PRIVACY
- 14144** Knob Set - FULL DUMMY
- 14145** Knob Set - HALF DUMMY

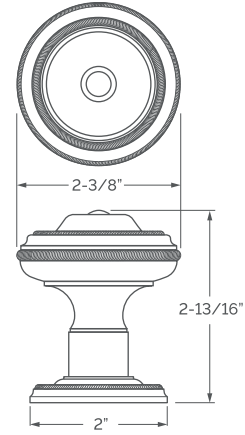
- 14148** Knob Mortise Set - PASSAGE
- 14149** Knob Mortise Set - PRIVACY

2-9/16" ROSE SETS

- 14151** Knob Set - PASSAGE
- 14152** Knob Set - PRIVACY
- 14153** Knob Set - SECTIONAL PRIVACY
- 14154** Knob Set - FULL DUMMY
- 14155** Knob Set - HALF DUMMY

- 14140** Knob Only 2-1/4"
- 14080** Rose Only 2"
- 14090** Rose Only 2-9/16"

INTERIOR KNOB SETS



2" ROSE SETS

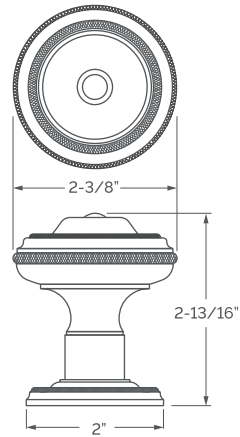
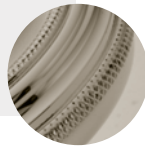
- 14201** Rope Knob Set - PASSAGE
- 14202** Rope Knob Set - PRIVACY
- 14203** Rope Knob Set - SECTIONAL PRIVACY
- 14204** Rope Knob Set - FULL DUMMY
- 14205** Rope Knob Set - HALF DUMMY

- 14208** Rope Knob Mortise Set - PASSAGE
- 14209** Rope Knob Mortise Set - PRIVACY

2-9/16" ROSE SETS

- 14211** Rope Knob Set - PASSAGE
- 14212** Rope Knob Set - PRIVACY
- 14213** Rope Knob Set - SECTIONAL PRIVACY
- 14214** Rope Knob Set - FULL DUMMY
- 14215** Rope Knob Set - HALF DUMMY

- 14200** Rope Knob Only 2-3/8"
- 14081** Rope Rose Only 2"
- 14091** Rope Rose Only 2-9/16"



2" ROSE SETS

- 14221** Cross Hatch Knob Set - PASSAGE
- 14222** Cross Hatch Knob Set - PRIVACY
- 14223** Cross Hatch Knob Set - SECTIONAL PRIVACY
- 14224** Cross Hatch Knob Set - FULL DUMMY
- 14225** Cross Hatch Knob Set - HALF DUMMY

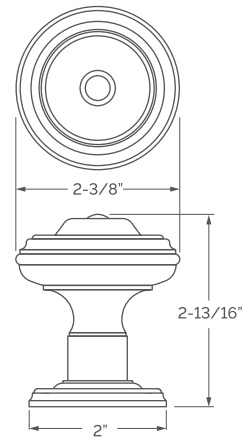
- 14228** Cross Hatch Knob Mortise Set - PASSAGE
- 14229** Cross Hatch Knob Mortise Set - PRIVACY

2-9/16" ROSE SETS

- 14231** Cross Hatch Knob Set - PASSAGE
- 14232** Cross Hatch Knob Set - PRIVACY
- 14233** Cross Hatch Knob Set - SECTIONAL PRIVACY
- 14234** Cross Hatch Knob Set - FULL DUMMY
- 14235** Cross Hatch Knob Set - HALF DUMMY

- 14220** Cross Hatch Knob Only 2-3/8"
- 14084** Cross Hatch Rose Only 2"
- 14094** Cross Hatch Rose Only 2-9/16"

INTERIOR KNOB SETS



2" ROSE SETS

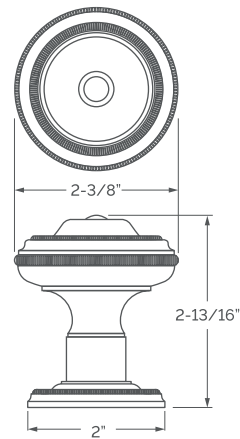
- 14241** Knob Set - PASSAGE
- 14242** Knob Set - PRIVACY
- 14243** Knob Set - SECTIONAL PRIVACY
- 14244** Knob Set - FULL DUMMY
- 14245** Knob Set - HALF DUMMY

- 14248** Knob Mortise Set - PASSAGE
- 14249** Knob Mortise Set - PRIVACY

2-9/16" ROSE SETS

- 14251** Knob Set - PASSAGE
- 14252** Knob Set - PRIVACY
- 14253** Knob Set - SECTIONAL PRIVACY
- 14254** Knob Set - FULL DUMMY
- 14255** Knob Set - HALF DUMMY

- 14240** Knob Only 2-3/8"
- 14080** Rose Only 2"
- 14090** Rose Only 2-9/16"



2" ROSE SETS

- 14261** Coin Knob Set - PASSAGE
- 14262** Coin Knob Set - PRIVACY
- 14263** Coin Knob Set - SECTIONAL PRIVACY
- 14264** Coin Knob Set - FULL DUMMY
- 14265** Coin Knob Set - HALF DUMMY

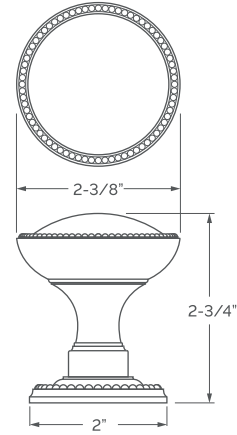
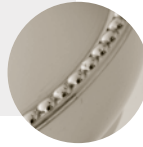
- 14268** Coin Knob Mortise Set - PASSAGE
- 14269** Coin Knob Mortise Set - PRIVACY

2-9/16" ROSE SETS

- 14271** Coin Knob Set - PASSAGE
- 14272** Coin Knob Set - PRIVACY
- 14273** Coin Knob Set - SECTIONAL PRIVACY
- 14274** Coin Knob Set - FULL DUMMY
- 14275** Coin Knob Set - HALF DUMMY

- 14260** Coin Knob Only 2-3/8"
- 14082** Coin Rose Only 2"
- 14092** Coin Rose Only 2-9/16"

INTERIOR KNOB SETS



2" ROSE SETS

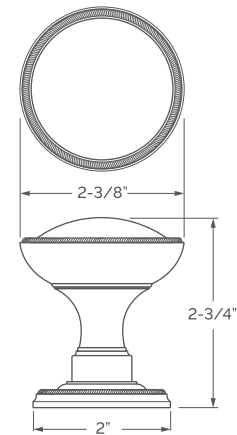
- 14301** Bead Knob Set - PASSAGE
- 14302** Bead Knob Set - PRIVACY
- 14303** Bead Knob Set - SECTIONAL PRIVACY
- 14304** Bead Knob Set - FULL DUMMY
- 14305** Bead Knob Set - HALF DUMMY

- 14308** Bead Knob Mortise Set - PASSAGE
- 14309** Bead Knob Mortise Set - PRIVACY

2-9/16" ROSE SETS

- 14311** Bead Knob Set - PASSAGE
- 14312** Bead Knob Set - PRIVACY
- 14313** Bead Knob Set - SECTIONAL PRIVACY
- 14314** Bead Knob Set - FULL DUMMY
- 14315** Bead Knob Set - HALF DUMMY

- 14300** Bead Knob Only 2-3/8"
- 14083** Bead Rose Only 2"
- 14093** Bead Rose Only 2-9/16"



2" ROSE SETS

- 14321** Rope Knob Set - PASSAGE
- 14322** Rope Knob Set - PRIVACY
- 14323** Rope Knob Set - SECTIONAL PRIVACY
- 14324** Rope Knob Set - FULL DUMMY
- 14325** Rope Knob Set - HALF DUMMY

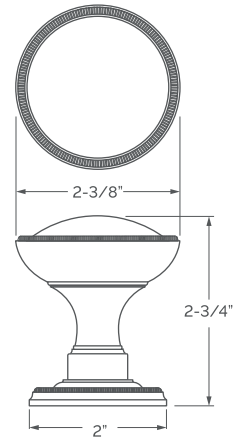
- 14328** Rope Knob Mortise Set - PASSAGE
- 14329** Rope Knob Mortise Set - PRIVACY

2-9/16" ROSE SETS

- 14331** Rope Knob Set - PASSAGE
- 14332** Rope Knob Set - PRIVACY
- 14333** Rope Knob Set - SECTIONAL PRIVACY
- 14334** Rope Knob Set - FULL DUMMY
- 14335** Rope Knob Set - HALF DUMMY

- 14320** Rope Knob Only 2-3/8"
- 14081** Rope Rose Only 2"
- 14091** Rope Rose Only 2-9/16"

INTERIOR KNOB SETS



2" ROSE SETS

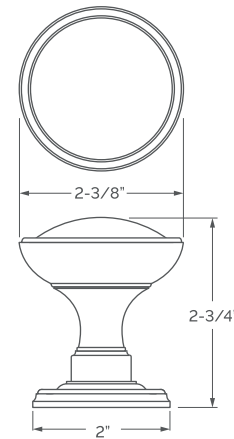
- 14341** Coin Knob Set - PASSAGE
- 14342** Coin Knob Set - PRIVACY
- 14343** Coin Knob Set - SECTIONAL PRIVACY
- 14344** Coin Knob Set - FULL DUMMY
- 14345** Coin Knob Set - HALF DUMMY

- 14348** Coin Knob Mortise Set - PASSAGE
- 14349** Coin Knob Mortise Set - PRIVACY

2-9/16" ROSE SETS

- 14351** Coin Knob Set - PASSAGE
- 14352** Coin Knob Set - PRIVACY
- 14353** Coin Knob Set - SECTIONAL PRIVACY
- 14354** Coin Knob Set - FULL DUMMY
- 14355** Coin Knob Set - HALF DUMMY

- 14340** Coin Knob Only 2-3/8"
- 14082** Coin Rose Only 2"
- 14092** Coin Rose Only 2-9/16"



2" ROSE SETS

- 14361** Knob Set - PASSAGE
- 14362** Knob Set - PRIVACY
- 14363** Knob Set - SECTIONAL PRIVACY
- 14364** Knob Set - FULL DUMMY
- 14365** Knob Set - HALF DUMMY

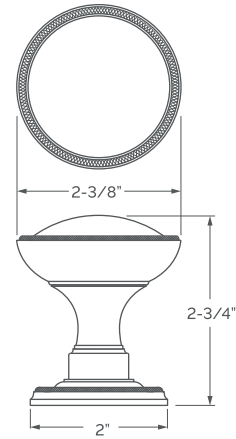
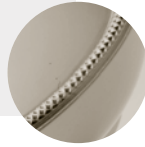
- 14368** Knob Mortise Set - PASSAGE
- 14369** Knob Mortise Set - PRIVACY

2-9/16" ROSE SETS

- 14371** Knob Set - PASSAGE
- 14372** Knob Set - PRIVACY
- 14373** Knob Set - SECTIONAL PRIVACY
- 14374** Knob Set - FULL DUMMY
- 14375** Knob Set - HALF DUMMY

- 14360** Knob Only 2-3/8"
- 14080** Rose Only 2"
- 14090** Rose Only 2-9/16"

INTERIOR KNOB SETS



2" ROSE SETS

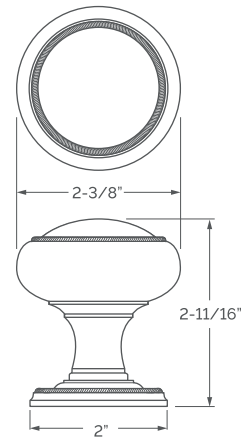
- 14381** Cross Hatch Knob Set - PASSAGE
- 14382** Cross Hatch Knob Set - PRIVACY
- 14383** Cross Hatch Knob Set - SECTIONAL PRIVACY
- 14384** Cross Hatch Knob Set - FULL DUMMY
- 14385** Cross Hatch Knob Set - HALF DUMMY

- 14388** Cross Hatch Knob Mortise Set - PASSAGE
- 14389** Cross Hatch Knob Mortise Set - PRIVACY

2-9/16" ROSE SETS

- 14391** Cross Hatch Knob Set - PASSAGE
- 14392** Cross Hatch Knob Set - PRIVACY
- 14393** Cross Hatch Knob Set - SECTIONAL PRIVACY
- 14394** Cross Hatch Knob Set - FULL DUMMY
- 14395** Cross Hatch Knob Set - HALF DUMMY

- 14380** Cross Hatch Knob Only 2-3/8"
- 14084** Cross Hatch Rose Only 2"
- 14094** Cross Hatch Rose Only 2-9/16"



2" ROSE SETS

- 14401** Rope Knob Set - PASSAGE
- 14402** Rope Knob Set - PRIVACY
- 14403** Rope Knob Set - SECTIONAL PRIVACY
- 14404** Rope Knob Set - FULL DUMMY
- 14405** Rope Knob Set - HALF DUMMY

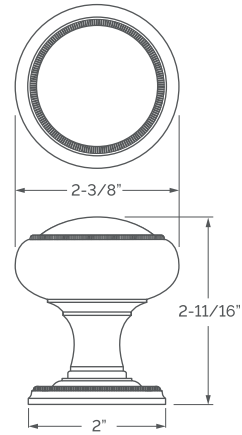
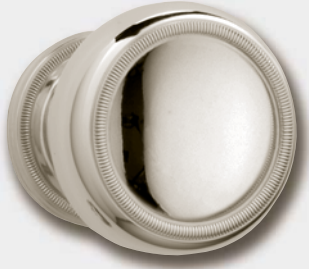
- 14408** Rope Knob Mortise Set - PASSAGE
- 14409** Rope Knob Mortise Set - PRIVACY

2-9/16" ROSE SETS

- 14411** Rope Knob Set - PASSAGE
- 14412** Rope Knob Set - PRIVACY
- 14413** Rope Knob Set - SECTIONAL PRIVACY
- 14414** Rope Knob Set - FULL DUMMY
- 14415** Rope Knob Set - HALF DUMMY

- 14400** Rope Knob Only 2-3/8"
- 14081** Rope Rose Only 2"
- 14091** Rope Rose Only 2-9/16"

INTERIOR KNOB SETS



2" ROSE SETS

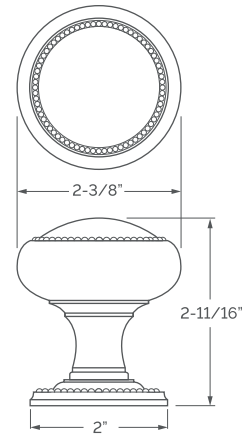
- 14421** Coin Knob Set - PASSAGE
- 14422** Coin Knob Set - PRIVACY
- 14423** Coin Knob Set - SECTIONAL PRIVACY
- 14424** Coin Knob Set - FULL DUMMY
- 14425** Coin Knob Set - HALF DUMMY

- 14428** Coin Knob Mortise Set - PASSAGE
- 14429** Coin Knob Mortise Set - PRIVACY

2-9/16" ROSE SETS

- 14431** Coin Knob Set - PASSAGE
- 14432** Coin Knob Set - PRIVACY
- 14433** Coin Knob Set - SECTIONAL PRIVACY
- 14434** Coin Knob Set - FULL DUMMY
- 14435** Coin Knob Set - HALF DUMMY

- 14420** Coin Knob Only 2-3/8"
- 14082** Coin Rose Only 2"
- 14092** Coin Rose Only 2-9/16"



2" ROSE SETS

- 14441** Bead Knob Set - PASSAGE
- 14442** Bead Knob Set - PRIVACY
- 14443** Bead Knob Set - SECTIONAL PRIVACY
- 14445** Bead Knob Set - FULL DUMMY
- 14446** Bead Knob Set - HALF DUMMY

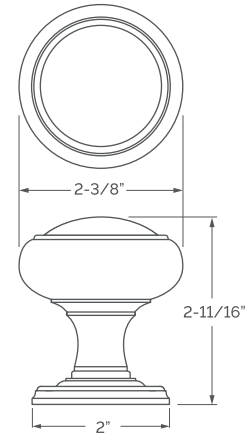
- 14448** Bead Knob Mortise Set - PASSAGE
- 14449** Bead Knob Mortise Set - PRIVACY

2-9/16" ROSE SETS

- 14451** Bead Knob Set - PASSAGE
- 14452** Bead Knob Set - PRIVACY
- 14453** Bead Knob Set - SECTIONAL PRIVACY
- 14454** Bead Knob Set - FULL DUMMY
- 14455** Bead Knob Set - HALF DUMMY

- 14440** Bead Knob Only 2-3/8"
- 14083** Bead Rose Only 2"
- 14093** Bead Rose Only 2-9/16"

INTERIOR KNOB SETS



2" ROSE SETS

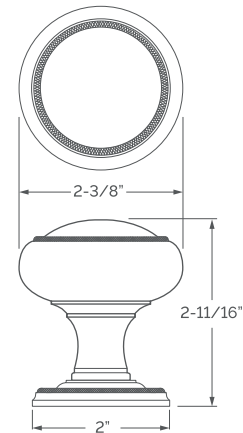
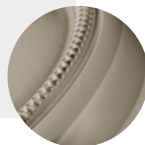
- 14461** Knob Set - PASSAGE
- 14462** Knob Set - PRIVACY
- 14463** Knob Set - SECTIONAL PRIVACY
- 14464** Knob Set - FULL DUMMY
- 14465** Knob Set - HALF DUMMY

- 14468** Knob Mortise Set - PASSAGE
- 14469** Knob Mortise Set - PRIVACY

2-9/16" ROSE SETS

- 14471** Knob Set - PASSAGE
- 14472** Knob Set - PRIVACY
- 14473** Knob Set - SECTIONAL PRIVACY
- 14474** Knob Set - FULL DUMMY
- 14475** Knob Set - HALF DUMMY

- 14460** Knob Only 2-3/8"
- 14080** Rose Only 2"
- 14090** Rose Only 2-9/16"



2" ROSE SETS

- 14481** Cross Hatch Knob Set - PASSAGE
- 14482** Cross Hatch Knob Set - PRIVACY
- 14483** Cross Hatch Knob Set - SECTIONAL PRIVACY
- 14484** Cross Hatch Knob Set - FULL DUMMY
- 14485** Cross Hatch Knob Set - HALF DUMMY

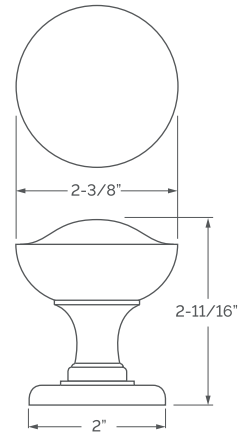
- 14488** Cross Hatch Knob Mortise Set - PASSAGE
- 14489** Cross Hatch Knob Mortise Set - PRIVACY

2-9/16" ROSE SETS

- 14491** Cross Hatch Knob Set - PASSAGE
- 14492** Cross Hatch Knob Set - PRIVACY
- 14493** Cross Hatch Knob Set - SECTIONAL PRIVACY
- 14494** Cross Hatch Knob Set - FULL DUMMY
- 14495** Cross Hatch Knob Set - HALF DUMMY

- 14480** Cross Hatch Knob Only 2-3/8"
- 14084** Cross Hatch Rose Only 2"
- 14094** Cross Hatch Rose Only 2-9/16"

INTERIOR KNOB SETS



2" ROSE SETS

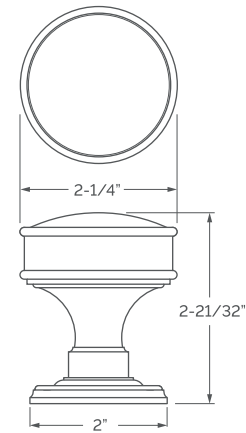
- 14501** Knob Set - PASSAGE
- 14502** Knob Set - PRIVACY
- 14503** Knob Set - SECTIONAL PRIVACY
- 14504** Knob Set - FULL DUMMY
- 14505** Knob Set - HALF DUMMY

- 14508** Knob Mortise Set - PASSAGE
- 14509** Knob Mortise Set - PRIVACY

2-9/16" ROSE SETS

- 14511** Knob Set - PASSAGE
- 14512** Knob Set - PRIVACY
- 14513** Knob Set - SECTIONAL PRIVACY
- 14514** Knob Set - FULL DUMMY
- 14515** Knob Set - HALF DUMMY

- 14500** Knob Only 2-3/8"
- 14087** Rose Only 2"
- 14096** Rose Only 2-9/16"



2" ROSE SETS

- 14601** Knob Set - PASSAGE
- 14602** Knob Set - PRIVACY
- 14603** Knob Set - SECTIONAL PRIVACY
- 14604** Knob Set - FULL DUMMY
- 14605** Knob Set - HALF DUMMY

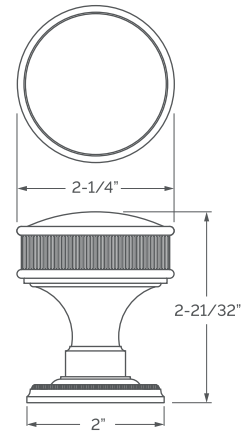
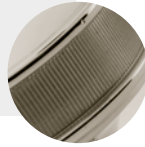
- 14608** Knob Mortise Set - PASSAGE
- 14609** Knob Mortise Set - PRIVACY

2-9/16" ROSE SETS

- 14611** Knob Set - PASSAGE
- 14612** Knob Set - PRIVACY
- 14613** Knob Set - SECTIONAL PRIVACY
- 14614** Knob Set - FULL DUMMY
- 14615** Knob Set - HALF DUMMY

- 14600** Knob Only 2-1/4"
- 14080** Rose Only 2"
- 14090** Rose Only 2-9/16"

INTERIOR KNOB SETS



2" ROSE SETS

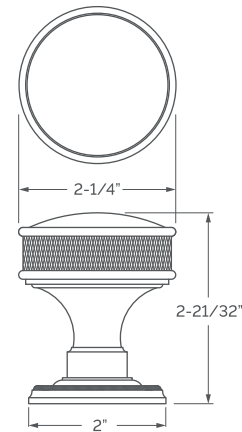
- 14621** Inset Coin Knob Set - PASSAGE
- 14622** Inset Coin Knob Set - PRIVACY
- 14623** Inset Coin Knob Set - SECTIONAL PRIVACY
- 14624** Inset Coin Knob Set - FULL DUMMY
- 14625** Inset Coin Knob Set - HALF DUMMY

- 14628** Inset Coin Knob Mortise Set - PASSAGE
- 14629** Inset Coin Knob Mortise Set - PRIVACY

2-9/16" ROSE SETS

- 14631** Inset Coin Knob Set - PASSAGE
- 14632** Inset Coin Knob Set - PRIVACY
- 14633** Inset Coin Knob Set - SECTIONAL PRIVACY
- 14634** Inset Coin Knob Set - FULL DUMMY
- 14635** Inset Coin Knob Set - HALF DUMMY

- 14620** Inset Coin Knob Only 2-1/4"
- 14082** Coin Rose Only 2"
- 14092** Coin Rose Only 2-9/16"



2" ROSE SETS

- 14641** Inset Cross Hatch Knob Set - PASSAGE
- 14642** Inset Cross Hatch Knob Set - PRIVACY
- 14643** Inset Cross Hatch Knob Set - SECTIONAL PRIVACY
- 14644** Inset Cross Hatch Knob Set - FULL DUMMY
- 14645** Inset Cross Hatch Knob Set - HALF DUMMY

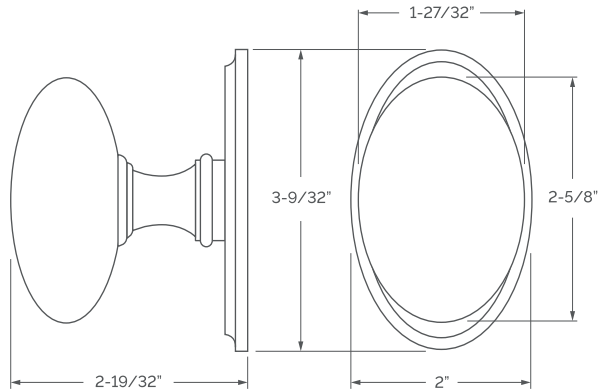
- 14648** Inset Cross Hatch Knob Mortise Set - PASSAGE
- 14649** Inset Cross Hatch Knob Mortise Set - PRIVACY

2-9/16" ROSE SETS

- 14651** Inset Cross Hatch Knob Set - PASSAGE
- 14652** Inset Cross Hatch Knob Set - PRIVACY
- 14653** Inset Cross Hatch Knob Set - SECTIONAL PRIVACY
- 14654** Inset Cross Hatch Knob Set - FULL DUMMY
- 14655** Inset Cross Hatch Knob Set - HALF DUMMY

- 14640** Inset Cross Hatch Knob Only 2-1/4"
- 14084** Cross Hatch Rose Only 2"
- 14094** Cross Hatch Rose Only 2-9/16"

INTERIOR KNOB SETS



2" x 3-9/32" ROSE SETS

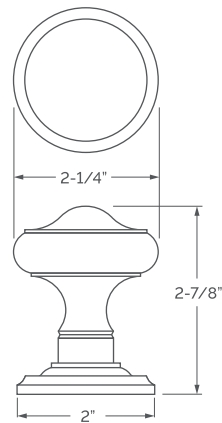
- 14661** Oval Knob Set - PASSAGE
- 14662** Oval Knob Set - PRIVACY
- 14663** Oval Knob Set - SECTIONAL PRIVACY
- 14664** Oval Knob Set - FULL DUMMY
- 14665** Oval Knob Set - HALF DUMMY

- 14668** Oval Knob Mortise Set - PASSAGE
- 14669** Oval Knob Mortise Set - PRIVACY

2-1/2" x 4" ROSE SETS

- 14671** Oval Knob Set - PASSAGE
- 14672** Oval Knob Set - PRIVACY
- 14673** Oval Knob Set - SECTIONAL PRIVACY
- 14674** Oval Knob Set - FULL DUMMY
- 14675** Oval Knob Set - HALF DUMMY

- 14660** Oval Knob Only 1-27/32" x 2-5/8"
- 14667** Oval Rose Only 2" x 3-9/32"
- 14677** Oval Rose Only 2-1/2" x 4"



2" ROSE SETS

- 14681** Knob Set - PASSAGE
- 14682** Knob Set - PRIVACY
- 14683** Knob Set - SECTIONAL PRIVACY
- 14684** Knob Set - FULL DUMMY
- 14685** Knob Set - HALF DUMMY

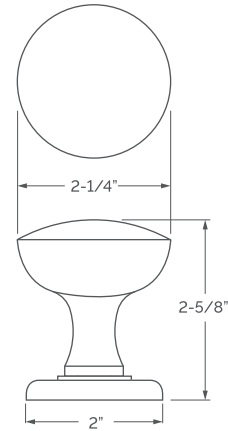
- 14688** Knob Mortise Set - PASSAGE
- 14689** Knob Mortise Set - PRIVACY

2-1/2" ROSE SETS

- 14691** Knob Set - PASSAGE
- 14692** Knob Set - PRIVACY
- 14693** Knob Set - SECTIONAL PRIVACY
- 14694** Knob Set - FULL DUMMY
- 14695** Knob Set - HALF DUMMY

- 14680** Knob Only 2-1/4"
- 14687** Rose Only 2"
- 14696** Rose Only 2-1/2"

INTERIOR KNOB SETS



2" ROSE SETS

- 14701** Knob Set - PASSAGE
- 14702** Knob Set - PRIVACY
- 14703** Knob Set - SECTIONAL PRIVACY
- 14704** Knob Set - FULL DUMMY
- 14705** Knob Set - HALF DUMMY

- 14708** Knob Mortise Set - PASSAGE
- 14709** Knob Mortise Set - PRIVACY

2-9/16" ROSE SETS

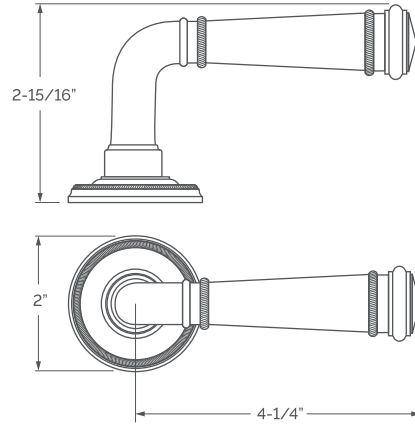
- 14711** Knob Set - PASSAGE
- 14712** Knob Set - PRIVACY
- 14713** Knob Set - SECTIONAL PRIVACY
- 14714** Knob Set - FULL DUMMY
- 14715** Knob Set - HALF DUMMY

- 14700** Knob Only 2-1/4"
- 14087** Rose Only 2"
- 14096** Rose Only 2-9/16"

REMEMBER

1. Specify pre-drilled adapter (#9749) for 2-1/8" pre-drilled doors, which requires the large rose.
2. Specify interior mortise lock for quality installations.
3. All knobs and levers are interchangeable.
4. FULL LIP strikes are standard. Specify SUB "T" strike, if required.
5. Standard backset is 2-3/8" for tubular. If required, specify 2-3/4".
Standard backset is 2-1/2" for mortise. If required, specify 2-3/4".
6. A door thickness greater than 1-3/4" will require a #9900 thick door kit for mortise application.
7. Combination strike and faceplate available for sectional tubular privacy function.

INTERIOR LEVER SETS



2" ROSE SETS

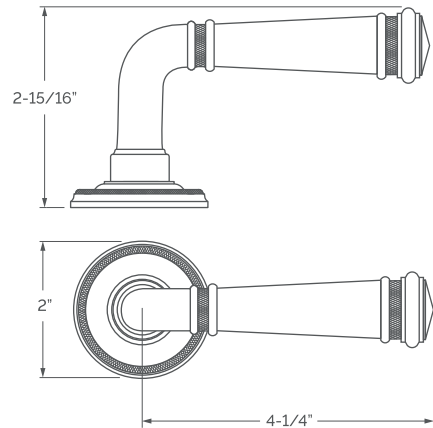
- 16001** Rope Lever Set - PASSAGE
- 16002** Rope Lever Set - PRIVACY
- 16003** Rope Lever Set - SECTIONAL PRIVACY
- 16004** Rope Lever Set - FULL DUMMY
- 16005** Rope Lever Set - HALF DUMMY

- 16008** Rope Lever Mortise Set - PASSAGE
- 16009** Rope Lever Mortise Set - PRIVACY

2-9/16" ROSE SETS

- 16011** Rope Lever Set - PASSAGE
- 16012** Rope Lever Set - PRIVACY
- 16013** Rope Lever Set - SECTIONAL PRIVACY
- 16014** Rope Lever Set - FULL DUMMY
- 16015** Rope Lever Set - HALF DUMMY

- 16000** Rope Lever Only 4-1/4"
- 14081** Rope Rose Only 2"
- 14091** Rope Rose Only 2-9/16"



2" ROSE SETS

- 16021** Inset Cross Hatch Lever Set - PASSAGE
- 16022** Inset Cross Hatch Lever Set - PRIVACY
- 16023** Inset Cross Hatch Lever Set - SECTIONAL PRIVACY
- 16024** Inset Cross Hatch Lever Set - FULL DUMMY
- 16025** Inset Cross Hatch Lever Set - HALF DUMMY

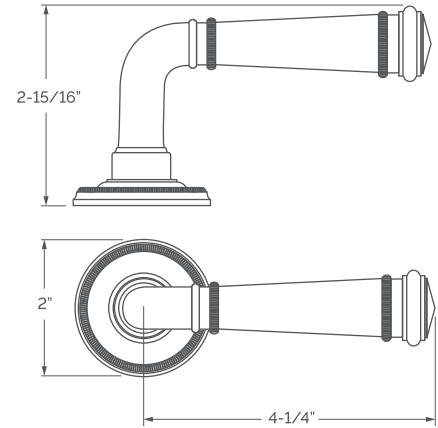
- 16028** Inset Cross Hatch Lever Mortise Set - PASSAGE
- 16029** Inset Cross Hatch Lever Mortise Set - PRIVACY

2-9/16" ROSE SETS

- 16031** Inset Cross Hatch Lever Set - PASSAGE
- 16032** Inset Cross Hatch Lever Set - PRIVACY
- 16033** Inset Cross Hatch Lever Set - SECTIONAL PRIVACY
- 16034** Inset Cross Hatch Lever Set - FULL DUMMY
- 16035** Inset Cross Hatch Lever Set - HALF DUMMY

- 16020** Inset Cross Hatch Lever Only 4-1/4"
- 14084** Cross Hatch Rose Only 2"
- 14094** Cross Hatch Rose Only 2-9/16"

INTERIOR LEVER SETS



2" ROSE SETS

- 16041** Coin Lever Set - PASSAGE
- 16042** Coin Lever Set - PRIVACY
- 16043** Coin Lever Set - SECTIONAL PRIVACY
- 16044** Coin Lever Set - FULL DUMMY
- 16045** Coin Lever Set - HALF DUMMY

16048 Coin Lever Mortise Set - PASSAGE

16049 Coin Lever Mortise Set - PRIVACY

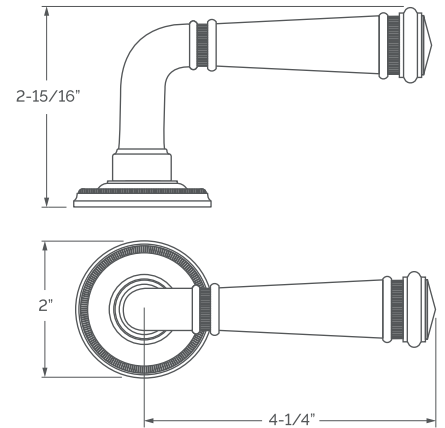
2-9/16" ROSE SETS

- 16051** Coin Lever Set - PASSAGE
- 16052** Coin Lever Set - PRIVACY
- 16053** Coin Lever Set - SECTIONAL PRIVACY
- 16054** Coin Lever Set - FULL DUMMY
- 16055** Coin Lever Set - HALF DUMMY

16040 Coin Lever Only 4-1/4"

14082 Coin Rose Only 2"

14092 Coin Rose Only 2-9/16"



2" ROSE SETS

- 16061** Inset Coin Lever Set - PASSAGE
- 16062** Inset Coin Lever Set - PRIVACY
- 16063** Inset Coin Lever Set - SECTIONAL PRIVACY
- 16064** Inset Coin Lever Set - FULL DUMMY
- 16065** Inset Coin Lever Set - HALF DUMMY

16068 Inset Coin Lever Mortise Set - PASSAGE

16069 Inset Coin Lever Mortise Set - PRIVACY

2-9/16" ROSE SETS

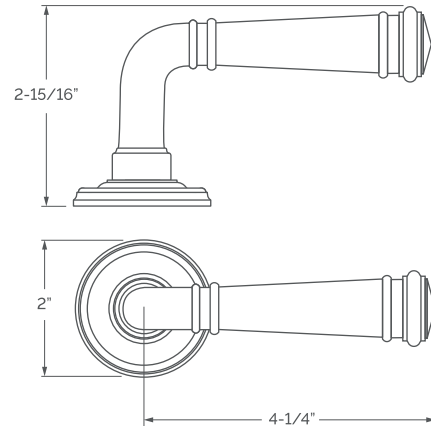
- 16071** Inset Coin Lever Set - PASSAGE
- 16072** Inset Coin Lever Set - PRIVACY
- 16073** Inset Coin Lever Set - SECTIONAL PRIVACY
- 16074** Inset Coin Lever Set - FULL DUMMY
- 16075** Inset Coin Lever Set - HALF DUMMY

16060 Inset Coin Lever Only 4-1/4"

14082 Coin Rose Only 2"

14092 Coin Rose Only 2-9/16"

INTERIOR LEVER SETS



2" ROSE SETS

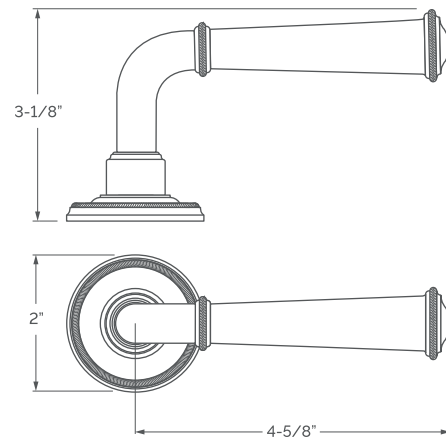
- 16081** Lever Set - PASSAGE
- 16082** Lever Set - PRIVACY
- 16083** Lever Set - SECTIONAL PRIVACY
- 16084** Lever Set - FULL DUMMY
- 16085** Lever Set - HALF DUMMY

- 16088** Lever Mortise Set - PASSAGE
- 16089** Lever Mortise Set - PRIVACY

2-9/16" ROSE SETS

- 16091** Lever Set - PASSAGE
- 16092** Lever Set - PRIVACY
- 16093** Lever Set - SECTIONAL PRIVACY
- 16094** Lever Set - FULL DUMMY
- 16095** Lever Set - HALF DUMMY

- 16080** Lever Only 4-1/4"
- 14080** Rose Only 2"
- 14090** Rose Only 2-9/16"



2" ROSE SETS

- 16101** Rope Lever Set - PASSAGE
- 16102** Rope Lever Set - PRIVACY
- 16103** Rope Lever Set - SECTIONAL PRIVACY
- 16104** Rope Lever Set - FULL DUMMY
- 16105** Rope Lever Set - HALF DUMMY

- 16108** Rope Lever Mortise Set - PASSAGE
- 16109** Rope Lever Mortise Set - PRIVACY

2-9/16" ROSE SETS

- 16111** Rope Lever Set - PASSAGE
- 16112** Rope Lever Set - PRIVACY
- 16113** Rope Lever Set - SECTIONAL PRIVACY
- 16114** Rope Lever Set - FULL DUMMY
- 16115** Rope Lever Set - HALF DUMMY

- 16100** Rope Lever Only 4-5/8"
- 14081** Rope Rose Only 2"
- 14091** Rope Rose Only 2-9/16"

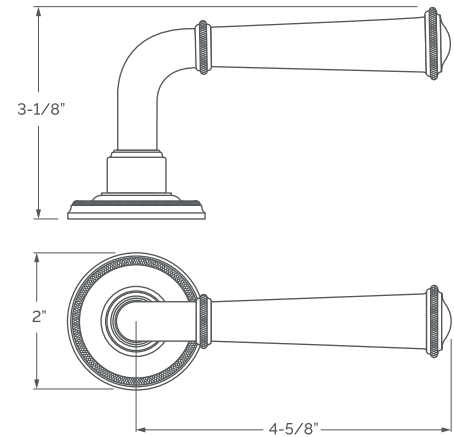
INTERIOR LEVER SETS



2" ROSE SETS

- 16121** Cross Hatch Lever Set - PASSAGE
- 16122** Cross Hatch Lever Set - PRIVACY
- 16123** Cross Hatch Lever Set - SECTIONAL PRIVACY
- 16124** Cross Hatch Lever Set - FULL DUMMY
- 16125** Cross Hatch Lever Set - HALF DUMMY

- 16128** Cross Hatch Lever Mortise Set - PASSAGE
- 16129** Cross Hatch Lever Mortise Set - PRIVACY



2-9/16" ROSE SETS

- 16131** Cross Hatch Lever Set - PASSAGE
- 16132** Cross Hatch Lever Set - PRIVACY
- 16133** Cross Hatch Lever Set - SECTIONAL PRIVACY
- 16134** Cross Hatch Lever Set - FULL DUMMY
- 16135** Cross Hatch Lever Set - HALF DUMMY

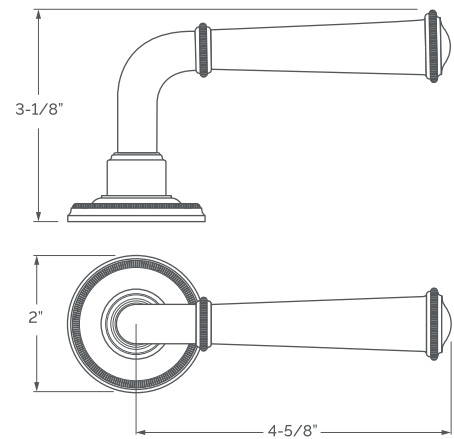
- 16120** Cross Hatch Lever Only 4-5/8"
- 14084** Cross Hatch Rose Only 2"
- 14094** Cross Hatch Rose Only 2-9/16"



2" ROSE SETS

- 16141** Coin Lever Set - PASSAGE
- 16142** Coin Lever Set - PRIVACY
- 16143** Coin Lever Set - SECTIONAL PRIVACY
- 16144** Coin Lever Set - FULL DUMMY
- 16145** Coin Lever Set - HALF DUMMY

- 16148** Coin Lever Mortise Set - PASSAGE
- 16149** Coin Lever Mortise Set - PRIVACY

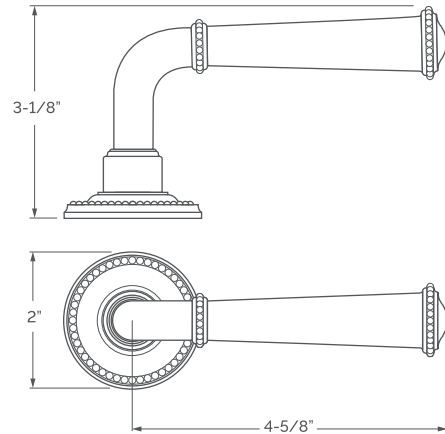


2-9/16" ROSE SETS

- 16151** Coin Lever Set - PASSAGE
- 16152** Coin Lever Set - PRIVACY
- 16153** Coin Lever Set - SECTIONAL PRIVACY
- 16154** Coin Lever Set - FULL DUMMY
- 16155** Coin Lever Set - HALF DUMMY

- 16140** Coin Lever Only 4-5/8"
- 14082** Coin Rose Only 2"
- 14092** Coin Rose Only 2-9/16"

INTERIOR LEVER SETS



2" ROSE SETS

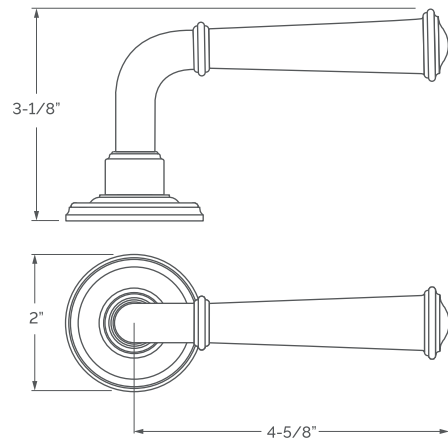
- 16161** Bead Lever Set - PASSAGE
- 16162** Bead Lever Set - PRIVACY
- 16163** Bead Lever Set - SECTIONAL PRIVACY
- 16164** Bead Lever Set - FULL DUMMY
- 16165** Bead Lever Set - HALF DUMMY

- 16168** Bead Lever Mortise Set - PASSAGE
- 16169** Bead Lever Mortise Set - PRIVACY

2-9/16" ROSE SETS

- 16171** Bead Lever Set - PASSAGE
- 16172** Bead Lever Set - PRIVACY
- 16173** Bead Lever Set - SECTIONAL PRIVACY
- 16174** Bead Lever Set - FULL DUMMY
- 16175** Bead Lever Set - HALF DUMMY

- 16160** Bead Lever Only 4-5/8"
- 14083** Bead Rose Only 2"
- 14093** Bead Rose Only 2-9/16"



2" ROSE SETS

- 16181** Lever Set - PASSAGE
- 16182** Lever Set - PRIVACY
- 16183** Lever Set - SECTIONAL PRIVACY
- 16184** Lever Set - FULL DUMMY
- 16185** Lever Set - HALF DUMMY

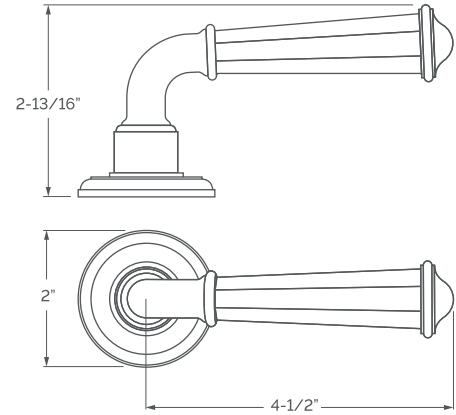
- 16188** Lever Mortise Set - PASSAGE
- 16189** Lever Mortise Set - PRIVACY

2-9/16" ROSE SETS

- 16191** Lever Set - PASSAGE
- 16192** Lever Set - PRIVACY
- 16193** Lever Set - SECTIONAL PRIVACY
- 16194** Lever Set - FULL DUMMY
- 16195** Lever Set - HALF DUMMY

- 16180** Lever Only 4-5/8"
- 14080** Rose Only 2"
- 14090** Rose Only 2-9/16"

INTERIOR LEVER SETS



2" ROSE SETS

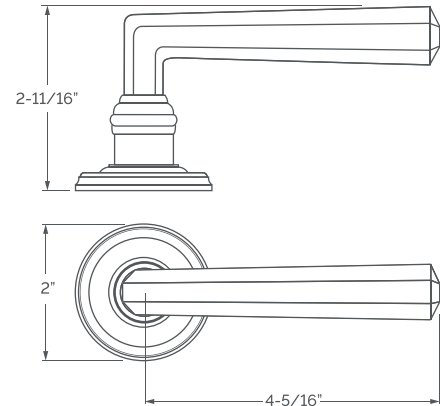
- 16201** Lever Set - PASSAGE
- 16202** Lever Set - PRIVACY
- 16203** Lever Set - SECTIONAL PRIVACY
- 16204** Lever Set - FULL DUMMY
- 16205** Lever Set - HALF DUMMY

- 16208** Lever Mortise Set - PASSAGE
- 16209** Lever Mortise Set - PRIVACY

2-9/16" ROSE SETS

- 16211** Lever Set - PASSAGE
- 16212** Lever Set - PRIVACY
- 16213** Lever Set - SECTIONAL PRIVACY
- 16214** Lever Set - FULL DUMMY
- 16215** Lever Set - HALF DUMMY

- 16200** Lever Only 4-1/2"
- 14085** Rose Only 2"
- 14095** Rose Only 2-9/16"



2" ROSE SETS

- 16221** Lever Set - PASSAGE
- 16222** Lever Set - PRIVACY
- 16223** Lever Set - SECTIONAL PRIVACY
- 16224** Lever Set - FULL DUMMY
- 16225** Lever Set - HALF DUMMY

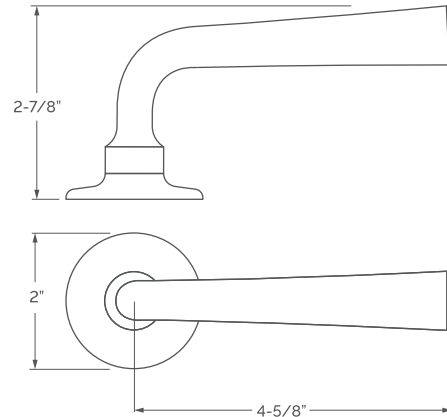
- 16228** Lever Mortise Set - PASSAGE
- 16229** Lever Mortise Set - PRIVACY

2-9/16" ROSE SETS

- 16231** Lever Set - PASSAGE
- 16232** Lever Set - PRIVACY
- 16233** Lever Set - SECTIONAL PRIVACY
- 16234** Lever Set - FULL DUMMY
- 16235** Lever Set - HALF DUMMY

- 16220** Lever Only 4-5/16"
- 14080** Rose Only 2"
- 14090** Rose Only 2-9/16"

INTERIOR LEVER SETS



2" ROSE SETS

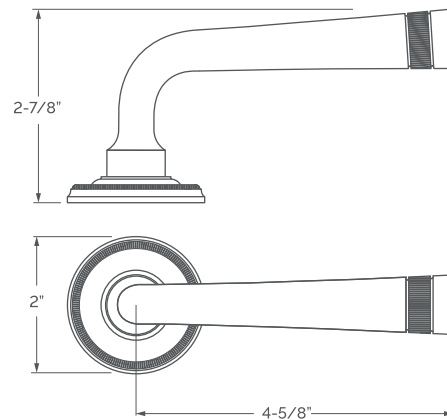
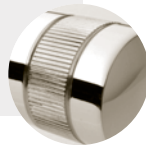
- 16301** Lever Set - PASSAGE
- 16302** Lever Set - PRIVACY
- 16303** Lever Set - SECTIONAL PRIVACY
- 16304** Lever Set - FULL DUMMY
- 16305** Lever Set - HALF DUMMY

- 16308** Lever Mortise Set - PASSAGE
- 16309** Lever Mortise Set - PRIVACY

2-9/16" ROSE SETS

- 16311** Lever Set - PASSAGE
- 16312** Lever Set - PRIVACY
- 16313** Lever Set - SECTIONAL PRIVACY
- 16314** Lever Set - FULL DUMMY
- 16315** Lever Set - HALF DUMMY

- 16300** Lever Only 4-5/8"
- 14086** Rose Only 2"
- 14097** Rose Only 2-9/16"



2" ROSE SETS

- 16321** Coin Lever Set - PASSAGE
- 16322** Coin Lever Set - PRIVACY
- 16323** Coin Lever Set - SECTIONAL PRIVACY
- 16324** Coin Lever Set - FULL DUMMY
- 16325** Coin Lever Set - HALF DUMMY

- 16328** Coin Lever Mortise Set - PASSAGE
- 16329** Coin Lever Mortise Set - PRIVACY

2-9/16" ROSE SETS

- 16331** Coin Lever Set - PASSAGE
- 16332** Coin Lever Set - PRIVACY
- 16333** Coin Lever Set - SECTIONAL PRIVACY
- 16334** Coin Lever Set - FULL DUMMY
- 16335** Coin Lever Set - HALF DUMMY

- 16320** Coin Lever Only 4-5/8"
- 14082** Coin Rose Only 2"
- 14092** Coin Rose Only 2-9/16"

INTERIOR LEVER SETS

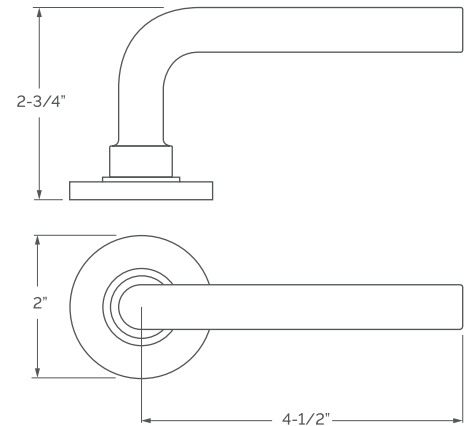


2" ROSE SETS

- 16401** Lever Set - PASSAGE
- 16402** Lever Set - PRIVACY
- 16403** Lever Set - SECTIONAL PRIVACY
- 16404** Lever Set - FULL DUMMY
- 16405** Lever Set - HALF DUMMY

16408 Lever Mortise Set - PASSAGE

16409 Lever Mortise Set - PRIVACY



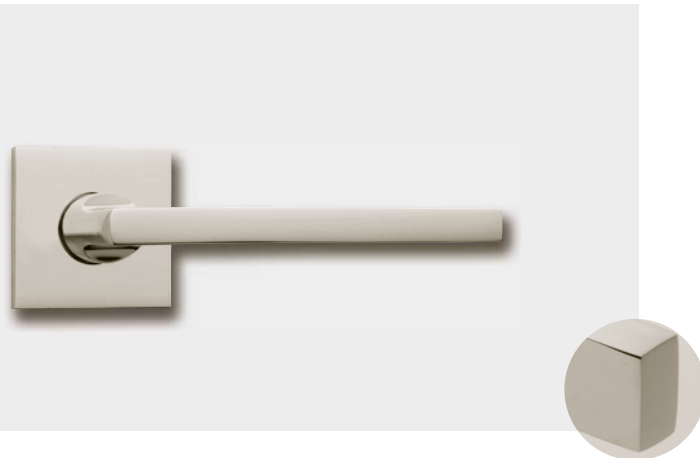
2-9/16" ROSE SETS

- 16411** Lever Set - PASSAGE
- 16412** Lever Set - PRIVACY
- 16413** Lever Set - SECTIONAL PRIVACY
- 16414** Lever Set - FULL DUMMY
- 16415** Lever Set - HALF DUMMY

16400 Lever Only 4-1/2"

14088 Rose Only 2"

14098 Rose Only 2-9/16"

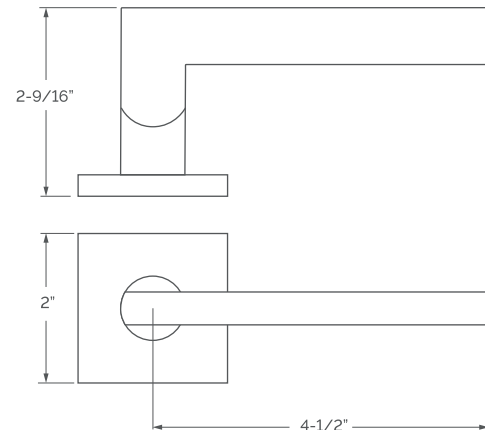


2" ROSE SETS

- 16461** Lever Set - PASSAGE
- 16462** Lever Set - PRIVACY
- 16463** Lever Set - SECTIONAL PRIVACY
- 16464** Lever Set - FULL DUMMY
- 16465** Lever Set - HALF DUMMY

16468 Lever Mortise Set - PASSAGE

16469 Lever Mortise Set - PRIVACY



2-9/16" ROSE SETS

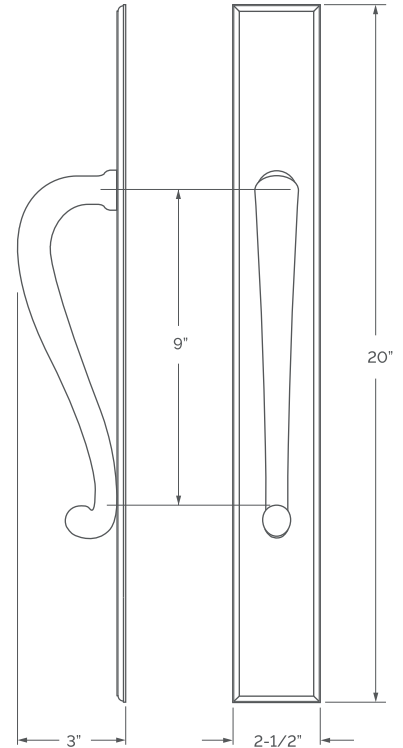
- 16471** Lever Set - PASSAGE
- 16472** Lever Set - PRIVACY
- 16473** Lever Set - SECTIONAL PRIVACY
- 16474** Lever Set - FULL DUMMY
- 16475** Lever Set - HALF DUMMY

16460 Lever Only 4-1/2"

14089 Rose Only 2"

14099 Rose Only 2-9/16"

PULLS, PUSH PLATES & PULL PLATES



APPLICATIONS

14821 Pull 9" c-c

14811 Pull Plate 2-1/2" x 12" (P) 14821

14812 Pull Plate 2-1/2" x 20" (P) 14821

14801 Push Plate 1-1/2" x 10"

14802 Push Plate 2" x 11"

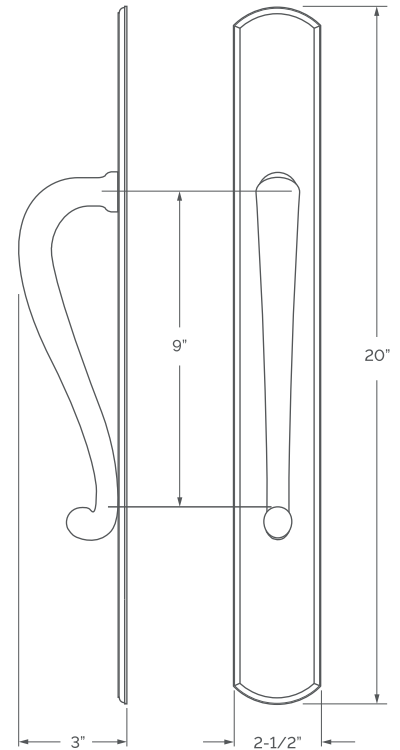
14803 Push Plate 2-1/2" x 12"

14804 Push Plate 2-1/2" x 20"

REMEMBER

1. Back-to-back applications available for pulls and pull plates.
Specify #9958 for BTB and #9959 for Single Sided mounting.
2. Custom escutcheons and drilling available.
3. Chautauqua SQUARE and EYEBROW edge profiles are standard. Additional edge details shown on page C-i and C-ii.

PULLS, PUSH PLATES & PULL PLATES



APPLICATIONS

14821 Pull 9" c-c

14813 Pull Plate 2-1/2" x 12" (P) 14821

14814 Pull Plate 2-1/2" x 20" (P) 14821

14806 Push Plate 1-1/2" x 10"

14807 Push Plate 2" x 11"

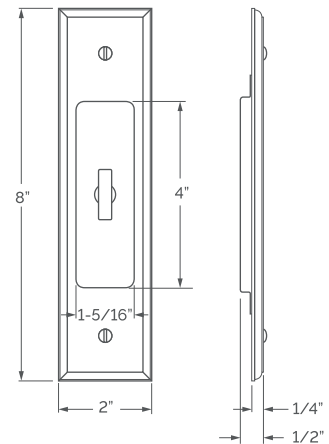
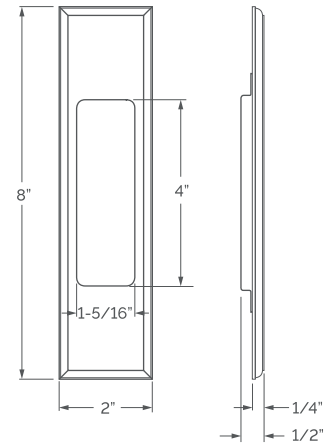
14808 Push Plate 2-1/2" x 12"

14809 Push Plate 2-1/2" x 20"

REMEMBER

1. Back-to-back applications available for pulls and pull plates.
Specify #9958 for BTB and #9959 for Single Sided mounting.
2. Custom escutcheons and drilling available.
3. Chautauqua SQUARE and EYEBROW edge profiles are standard. Additional edge details shown on page C-i and C-ii.

FLUSH PULLS



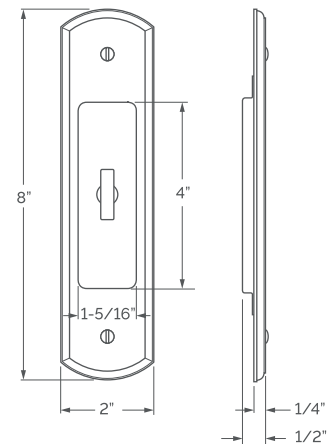
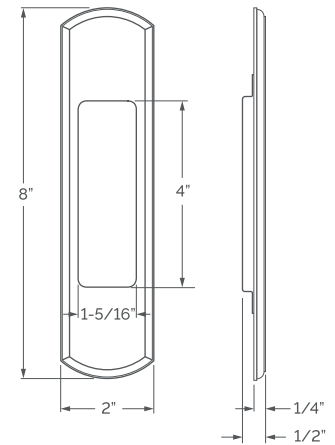
APPLICATIONS

- 14830** Flush Pull Only
- 14831** Flush Pull Set - PASSAGE w/ 9730
- 14832** Flush Pull Set - PASSAGE w/ Accurate 2000
- 14833** Flush Pull Set - PRIVACY w/ Accurate 2002
- 14834** Flush Pull Set - ENTRANCE w/ Accurate 2002

REMEMBER

1. Standard backset is 2-1/2" for mortise. If required, specify 2-3/4" backset.
2. Verify jamb clearance for escutcheon projection.
3. Edge pulls available - Standard or Mortise.
4. If only one flush pull is ordered, surface mount screws are required.
5. Custom escutcheon and drilling available.
6. Chautauqua SQUARE and EYEBROW edge profiles are standard. Additional edge details shown on page C-i and C-ii.
7. Concealed undermount attachment is standard on exterior escutcheon.
Oval slot head machine screws (2/ea) are standard on interior escutcheon.

FLUSH PULLS



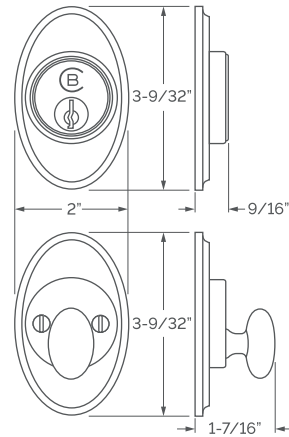
APPLICATIONS

- 14835** Flush Pull Only
- 14836** Flush Pull Set - PASSAGE w/ 9730
- 14837** Flush Pull Set - PASSAGE w/ Accurate 2000
- 14838** Flush Pull Set - PRIVACY w/ Accurate 2002
- 14839** Flush Pull Set - ENTRANCE w/ Accurate 2002

REMEMBER

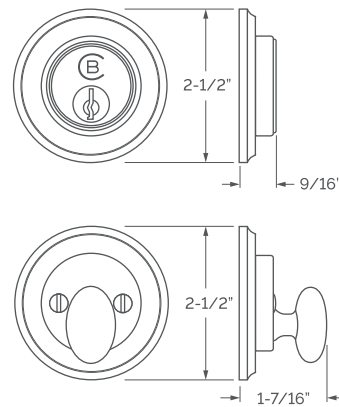
1. Standard backset is 2-1/2" for mortise. If required, specify 2-3/4" backset.
2. Verify jamb clearance for escutcheon projection.
3. Edge pulls available - Standard or Mortise.
4. If only one flush pull is ordered, surface mount screws are required.
5. Custom escutcheon and drilling available.
6. Chautauqua SQUARE and EYEBROW edge profiles are standard. Additional edge details shown on page C-i and C-ii.
7. Concealed undermount attachment is standard on exterior escutcheon.
Oval slot head machine screws (2/ea) are standard on interior escutcheon.

AUXILIARY DEADBOLTS



APPLICATIONS

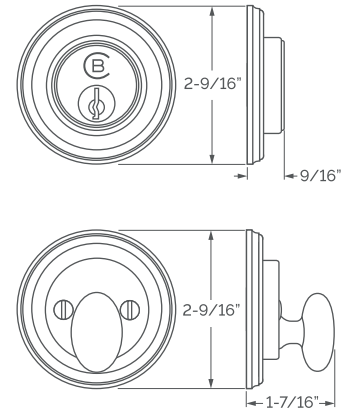
- 14840** Oval Auxiliary Deadbolt Set (KEY x TP) 2" x 3-9/32"
- 14841** Oval Auxiliary Deadbolt Set (KEY x KEY) 2" x 3-9/32"
- 14842** Oval Auxiliary Deadbolt Set (KEY x TP) 2-1/2" x 4"
- 14843** Oval Auxiliary Deadbolt Set (KEY x KEY) 2-1/2" x 4"



APPLICATIONS

- 14844** Dome Auxiliary Deadbolt Set (KEY x TP) 2"
- 14845** Dome Auxiliary Deadbolt Set (KEY x KEY) 2"
- 14846** Dome Auxiliary Deadbolt Set (KEY x TP) 2-1/2"
- 14847** Dome Auxiliary Deadbolt Set (KEY x KEY) 2-1/2"

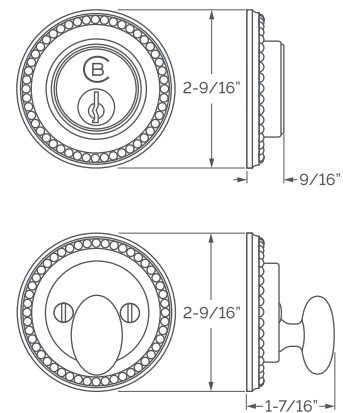
AUXILIARY DEADBOLTS



APPLICATIONS

- 14850** Auxiliary Deadbolt Set (KEY x TP) 2"
- 14851** Auxiliary Deadbolt Set (KEY x KEY) 2"

- 14852** Auxiliary Deadbolt Set (KEY x TP) 2-9/16"
- 14853** Auxiliary Deadbolt Set (KEY x KEY) 2-9/16"

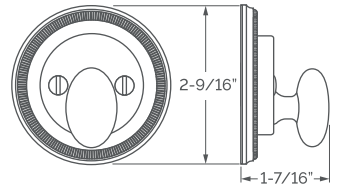
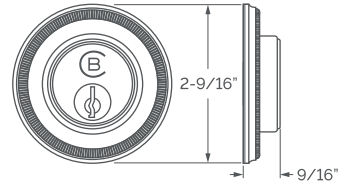


APPLICATIONS

- 14854** Bead Auxiliary Deadbolt Set (KEY x TP) 2"
- 14855** Bead Auxiliary Deadbolt Set (KEY x KEY) 2"

- 14856** Bead Auxiliary Deadbolt Set (KEY x TP) 2-9/16"
- 14857** Bead Auxiliary Deadbolt Set (KEY x KEY) 2-9/16"

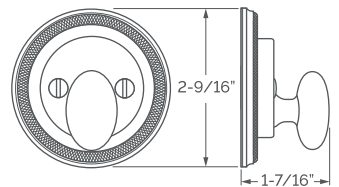
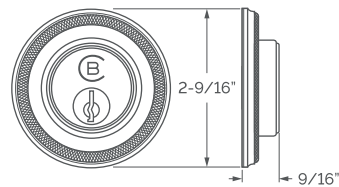
AUXILIARY DEADBOLTS



APPLICATIONS

- 14858** Coin Auxiliary Deadbolt Set (KEY x TP) 2"
- 14859** Coin Auxiliary Deadbolt Set (KEY x KEY) 2"

- 14860** Coin Auxiliary Deadbolt Set (KEY x TP) 2-9/16"
- 14861** Coin Auxiliary Deadbolt Set (KEY x KEY) 2-9/16"

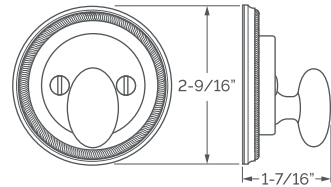
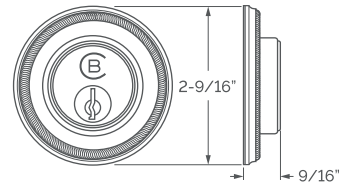


APPLICATIONS

- 14862** Cross Hatch Auxiliary Deadbolt Set (KEY x TP) 2"
- 14863** Cross Hatch Auxiliary Deadbolt Set (KEY x KEY) 2"

- 14864** Cross Hatch Auxiliary Deadbolt Set (KEY x TP) 2-9/16"
- 14865** Cross Hatch Auxiliary Deadbolt Set (KEY x KEY) 2-9/16"

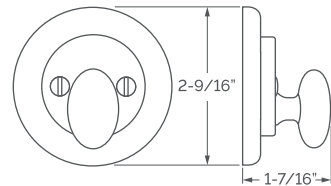
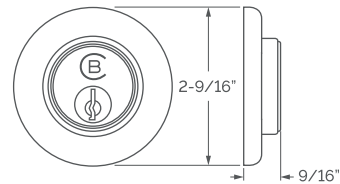
AUXILIARY DEADBOLTS



APPLICATIONS

- 14866** Rope Auxiliary Deadbolt Set (KEY x TP) 2"
- 14867** Rope Auxiliary Deadbolt Set (KEY x KEY) 2"

- 14868** Rope Auxiliary Deadbolt Set (KEY x TP) 2-9/16"
- 14869** Rope Auxiliary Deadbolt Set (KEY x KEY) 2-9/16"

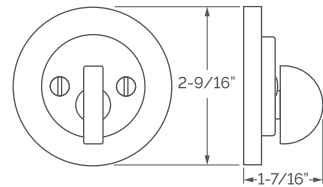
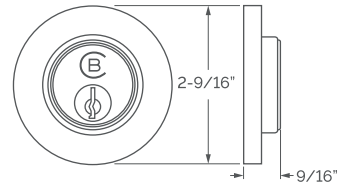


APPLICATIONS

- 14870** Auxiliary Deadbolt Set (KEY x TP) 2"
- 14871** Auxiliary Deadbolt Set (KEY x KEY) 2"

- 14872** Auxiliary Deadbolt Set (KEY x TP) 2-9/16"
- 14873** Auxiliary Deadbolt Set (KEY x KEY) 2-9/16"

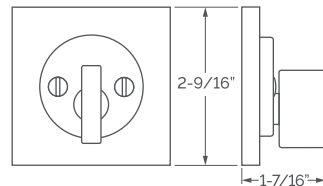
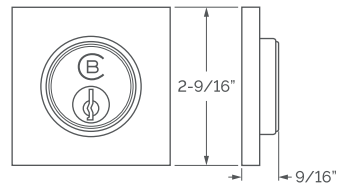
AUXILIARY DEADBOLTS



APPLICATIONS

- 14874** Auxiliary Deadbolt Set (KEY x TP) 2"
- 14875** Auxiliary Deadbolt Set (KEY x KEY) 2"

- 14876** Auxiliary Deadbolt Set (KEY x TP) 2-9/16"
- 14877** Auxiliary Deadbolt Set (KEY x KEY) 2-9/16"

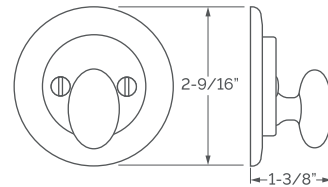
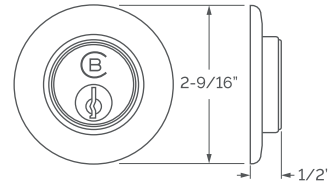


APPLICATIONS

- 14878** Auxiliary Deadbolt Set (KEY x TP) 2"
- 14879** Auxiliary Deadbolt Set (KEY x KEY) 2"

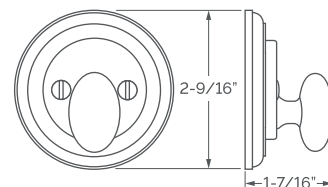
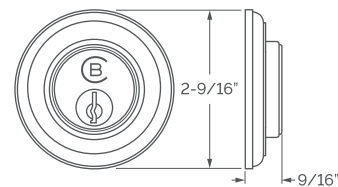
- 14880** Auxiliary Deadbolt Set (KEY x TP) 2-9/16"
- 14881** Auxiliary Deadbolt Set (KEY x KEY) 2-9/16"

AUXILIARY DEADBOLTS



APPLICATIONS

- 14882** Auxiliary Deadbolt Set (KEY x TP) 2"
14883 Auxiliary Deadbolt Set (KEY x KEY) 2"
14884 Auxiliary Deadbolt Set (KEY x TP) 2-9/16"
14885 Auxiliary Deadbolt Set (KEY x KEY) 2-9/16"



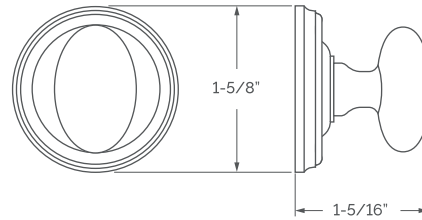
APPLICATIONS

- 14890** Auxiliary Deadbolt Set (KEY x TP) 2"
14891 Auxiliary Deadbolt Set (KEY x KEY) 2"
14892 Auxiliary Deadbolt Set (KEY x TP) 2-9/16"
14893 Auxiliary Deadbolt Set (KEY x KEY) 2-9/16"

REMEMBER

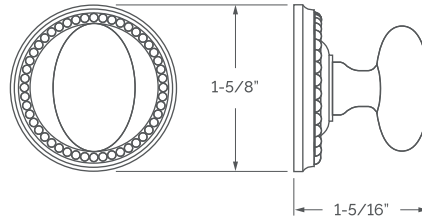
1. Should you require key alike, please specify.
2. Standard backset is 2-3/8". If required, specify 2-3/4".

MORTISE BOLTS



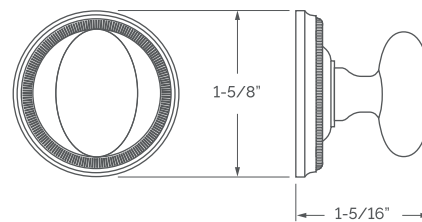
APPLICATIONS

- 14900** Complete Mortise Bolt Set
- 14901** Turnpiece and Plate w/ Mortise Bolt
- 14902** Turnpiece and Plate



APPLICATIONS

- 14903** Complete Bead Mortise Bolt Set
- 14904** Bead Turnpiece and Plate w/ Mortise Bolt
- 14905** Bead Turnpiece and Plate



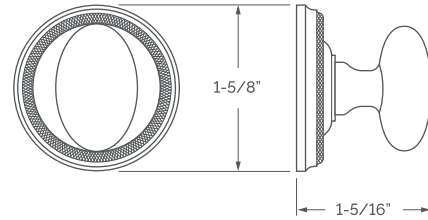
APPLICATIONS

- 14906** Complete Coin Mortise Bolt Set
- 14907** Coin Turnpiece and Plate w/ Mortise Bolt
- 14908** Coin Turnpiece and Plate

REMEMBER

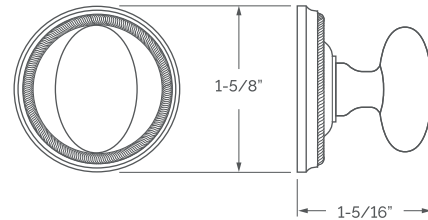
1. Standard backset is 2-3/8". If required specify 2-3/4" backset.

MORTISE BOLTS



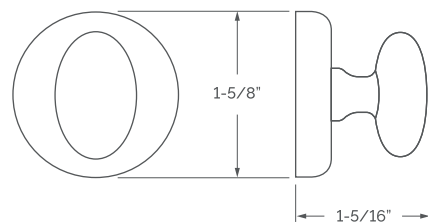
APPLICATIONS

- 14909** Complete Cross Hatch Mortise Bolt Set
- 14910** Cross Hatch Turnpiece and Plate w/ Mortise Bolt
- 14911** Cross Hatch Turnpiece and Plate



APPLICATIONS

- 14912** Complete Rope Mortise Bolt Set
- 14913** Rope Turnpiece and Plate w/ Mortise Bolt
- 14914** Rope Turnpiece and Plate



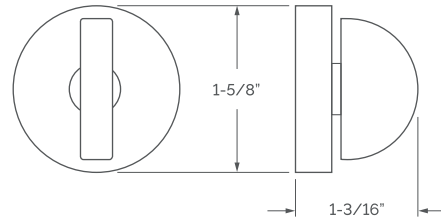
APPLICATIONS

- 14915** Complete Mortise Bolt Set
- 14916** Turnpiece and Plate w/ Mortise Bolt
- 14917** Turnpiece and Plate

REMEMBER

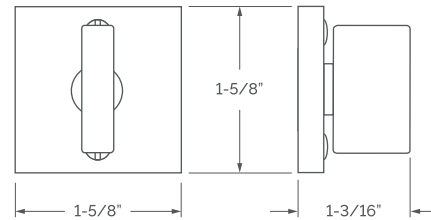
1. Standard backset is 2-3/8". If required specify 2-3/4" backset.

MORTISE BOLTS



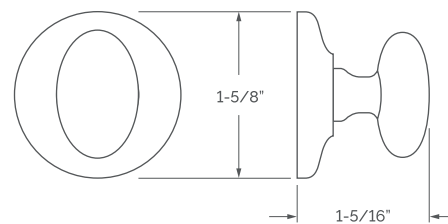
APPLICATIONS

- 14918** Complete Mortise Bolt Set
- 14919** Turnpiece and Plate w/ Mortise Bolt
- 14920** Turnpiece and Plate



APPLICATIONS

- 14921** Complete Mortise Bolt Set
- 14922** Turnpiece and Plate w/ Mortise Bolt
- 14923** Turnpiece and Plate



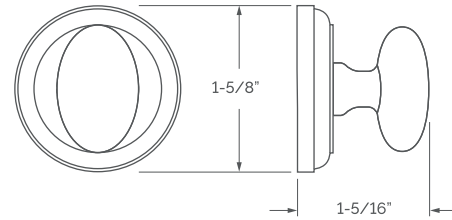
APPLICATIONS

- 14924** Complete Mortise Bolt Set
- 14925** Turnpiece and Plate w/ Mortise Bolt
- 14926** Turnpiece and Plate

REMEMBER

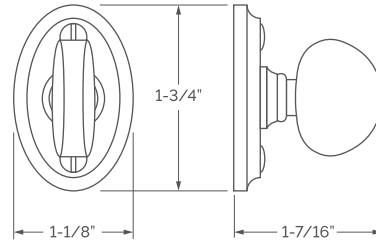
1. Standard backset is 2-3/8". If required specify 2-3/4" backset.

MORTISE BOLTS



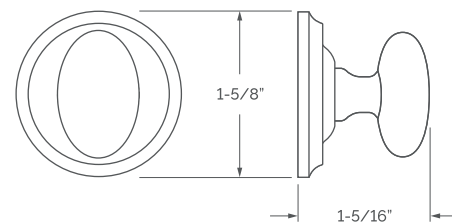
APPLICATIONS

- 14930** Complete Mortise Bolt Set
- 14931** Turnpiece and Plate w/ Mortise Bolt
- 14932** Turnpiece and Plate



APPLICATIONS

- 14933** Complete Mortise Bolt Set
- 14934** Turnpiece Key and Oval Plate w/ Mortise Bolt
- 14935** Turnpiece Key and Oval Plate



APPLICATIONS

- 14936** Complete Mortise Bolt Set
- 14937** Turnpiece and Plate w/ Mortise Bolt
- 14938** Turnpiece and Plate

REMEMBER

1. Standard backset is 2-3/8". If required specify 2-3/4" backset.

CYLINDER COLLARS



14970



14971



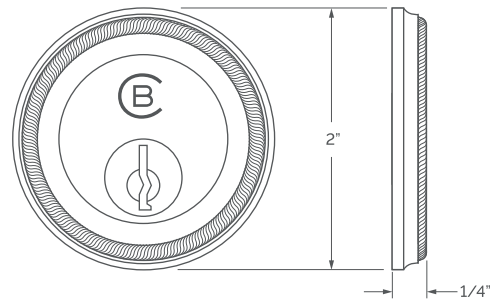
14972



14973

APPLICATIONS

- 14970** Rope Cylinder Collar
- 14971** Coin Cylinder Collar
- 14972** Bead Cylinder Collar
- 14973** Cross Hatch Cylinder Collar



14974



14975



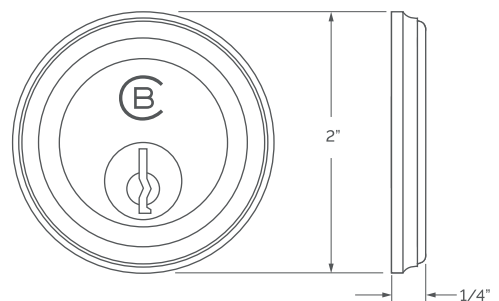
14976



14977

APPLICATIONS

- 14974** Cylinder Collar
- 14975** Cylinder Collar
- 14976** Cylinder Collar
- 14977** Cylinder Collar

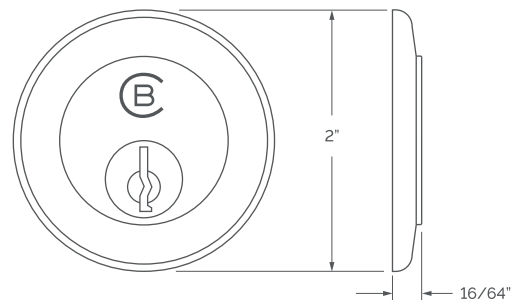


CYLINDER COLLARS



APPLICATIONS

- 14979** Cylinder Collar
- 14980** Cylinder Collar
- 14981** Oval Cylinder Collar
- 14982** Dome Cylinder Collar



REMEMBER

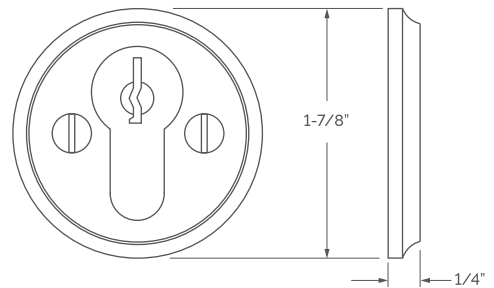
1. Cylinders order separate.

EURO CYLINDER COLLARS



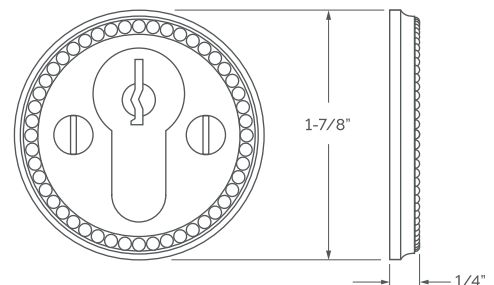
APPLICATIONS

- 14986** Dome Euro Cylinder Collar
- 14987** Oval Euro Cylinder Collar
- 14990** Rope Euro Cylinder Collar
- 14991** Coin Euro Cylinder Collar



APPLICATIONS

- 14992** Bead Euro Cylinder Collar
- 14993** Cross Hatch Euro Cylinder Collar
- 14994** Plain Euro Cylinder Collar
- 14995** Rolled Euro Cylinder Collar



EURO CYLINDER COLLARS



14996



14997



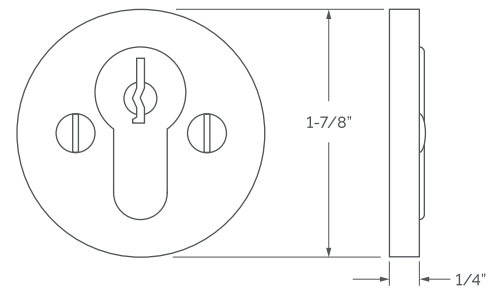
14998



14999

APPLICATIONS

- 14996** Slab Round Euro Cylinder Collar
- 14997** Square Euro Cylinder Collar
- 14998** Plain Euro Cylinder Collar
- 14999** Small Rolled Euro Cylinder Collar



REMEMBER

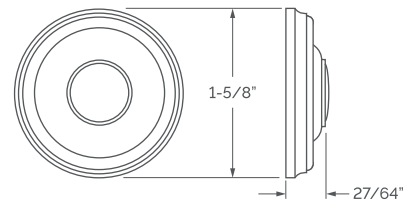
1. Cylinders order separate.

DOORBELL ESCUTCHEONS



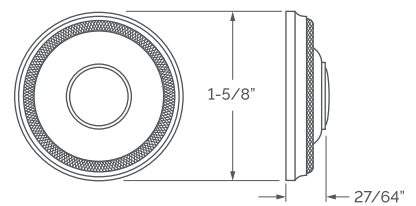
APPLICATIONS

- 17040** Doorbell Escutcheon
- 17041** Rope Doorbell Escutcheon
- 17042** Coin Doorbell Escutcheon
- 17043** Bead Doorbell Escutcheon



APPLICATIONS

- 17044** Cross Hatch Doorbell Escutcheon
- 17045** Doorbell Escutcheon
- 17046** Doorbell Escutcheon



DOORBELL ESCUTCHEONS



17047



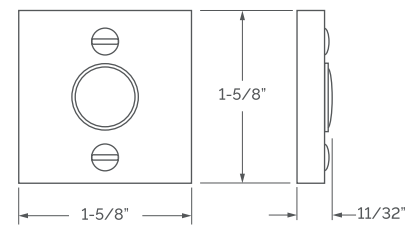
17048



17049

APPLICATIONS

- 17047** Doorbell Escutcheon
- 17048** Doorbell Escutcheon
- 17049** Doorbell Escutcheon

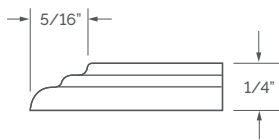


REMEMBER

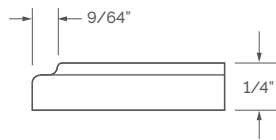
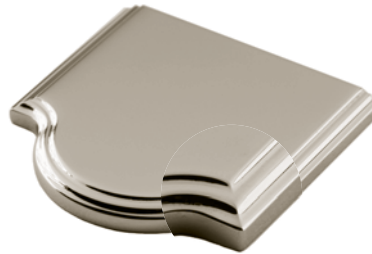
1. Doorbell button NOT included.



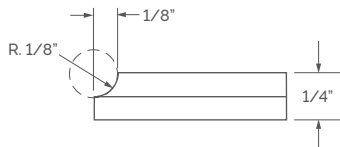
HUTTER ARCH
Standard



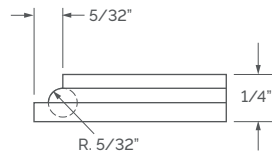
HUTTER ARCH OFFSET



LAKEWOOD ARCH



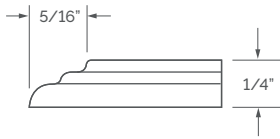
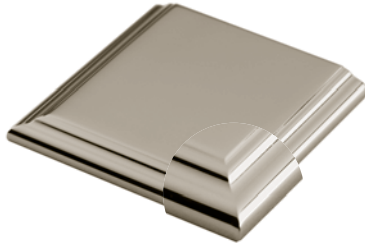
JAMESTOWN ARCH



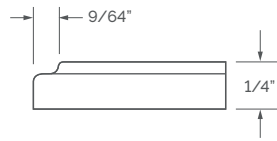
REMEMBER

1. Custom escutcheon sizes are available.
2. Standard escutcheon thickness is $1/4"$ — alternate thickness available upon request.
3. Contact us to discuss custom edge details or profiles.

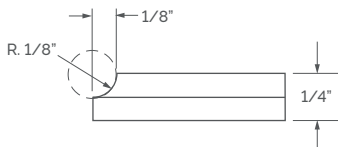
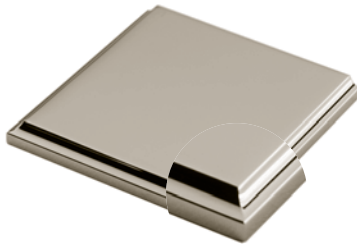
HUTTER SQUARE



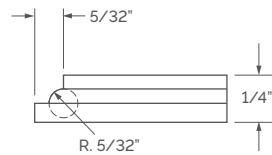
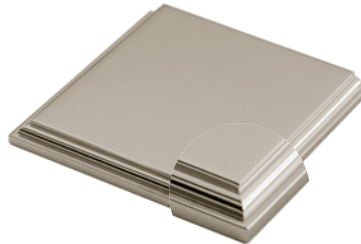
HUTTER SQUARE OFFSET



LAKEWOOD SQUARE



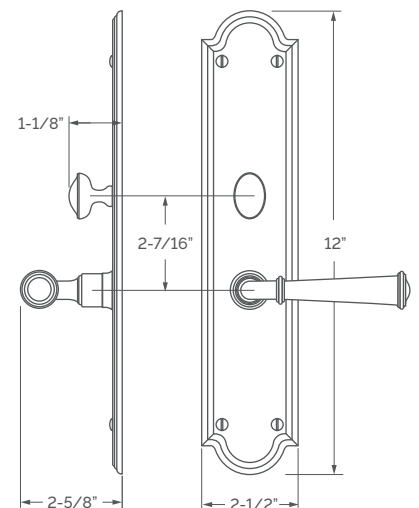
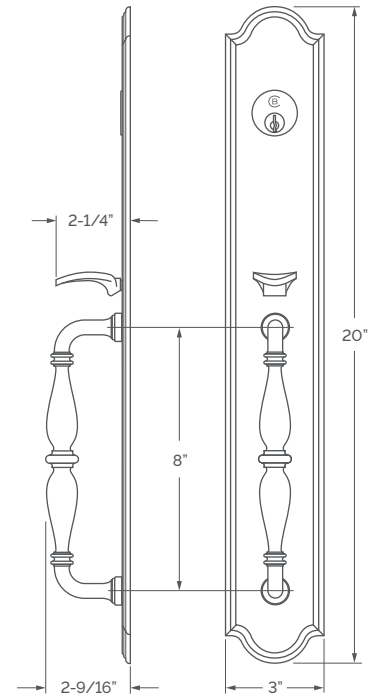
JAMESTOWN SQUARE



REMEMBER

1. Custom escutcheon sizes are available.
2. Standard escutcheon thickness is 1/4" — alternate thickness available upon request.
3. Contact us to discuss custom edge details or profiles.

ENTRANCE HANDLE SETS



APPLICATIONS

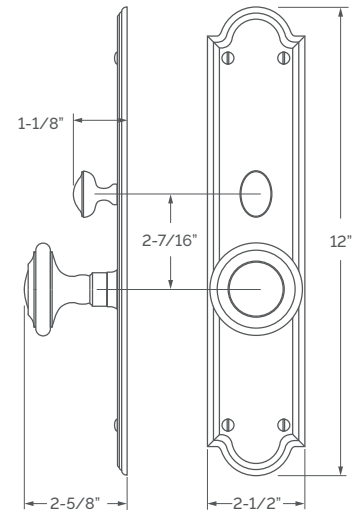
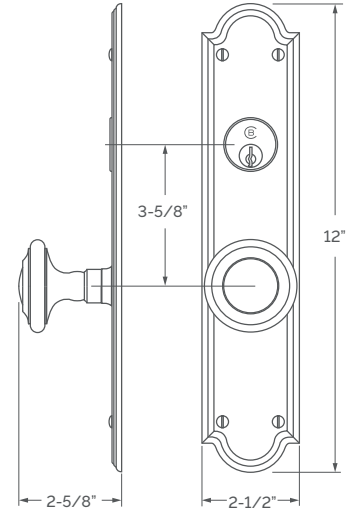
- 7800** Entrance Handle Set - Lever
- 7802** Entrance Handle Set - T/P x T/P
- 7806** Entrance Handle Set - Lever - FULL DUMMY
- 7807** Entrance Handle Set - T/P x T/P - FULL DUMMY

Above sets include 7973 Lever

REMEMBER

1. Standard mortise lock is 2-1/2" EE. Specify 2-3/4" if required.
2. All knobs and levers are interchangeable.
3. A door thickness greater than 1-3/4" will require a #9901 thick door kit.
4. Entrance handle sets are mortise lock only.
5. Custom escutcheon sizes and drilling available.
6. HUTTER ARCH edge profile is standard. SQUARE CORNER and OFFSET edge options available.
7. Concealed undermount attachment is standard on exterior escutcheon.
Oval slot head wood screws (4/ea) are standard on interior escutcheon.

ENTRANCE KNOB SETS



APPLICATIONS

7810 Knob Mortise Entrance Set

7811 Knob Mortise Entrance Set - FULL DUMMY

7812 Knob Latch x Auxiliary Deadbolt Set

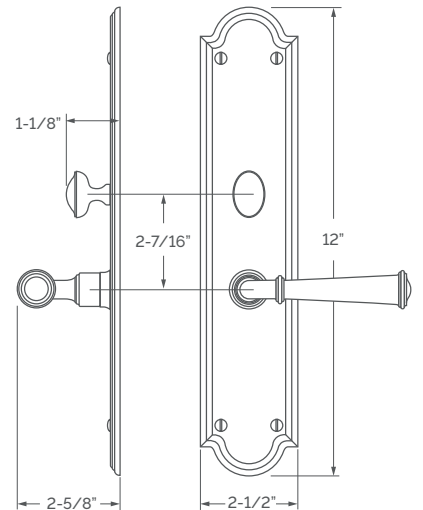
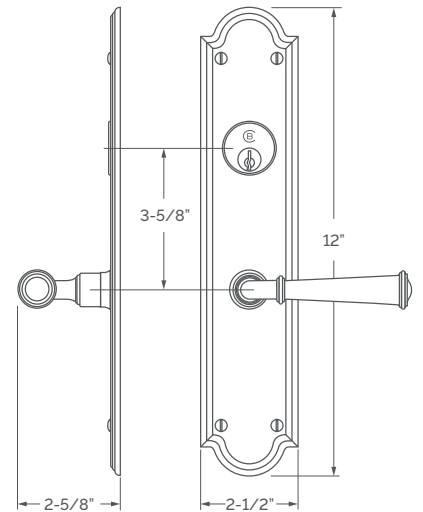
7813 Knob Latch x Auxiliary Deadbolt Set - FULL DUMMY

Above sets include 7965 Knob

REMEMBER

1. Standard mortise lock is 2-1/2" EE. Specify 2-3/4" if required.
2. Standard latch x auxiliary deadbolt: 5-1/2" c-c spacing and 2-3/8" backset. If required, specify 2-3/4" backset.
3. All knobs are interchangeable.
4. A door thickness greater than 1-3/4" will require a #9901 thick door kit for mortise application.
5. Custom escutcheon sizes and drilling available.
6. HUTTER ARCH edge profile is standard. SQUARE CORNER and OFFSET edge options available.
7. Oval slot head wood screws (4/ea) are standard on the escutcheons.

ENTRANCE LEVER SETS



APPLICATIONS

7816 Lever Mortise Entrance Set

7817 Lever Mortise Entrance Set - FULL DUMMY

7818 Lever Latch x Auxiliary Deadbolt Set

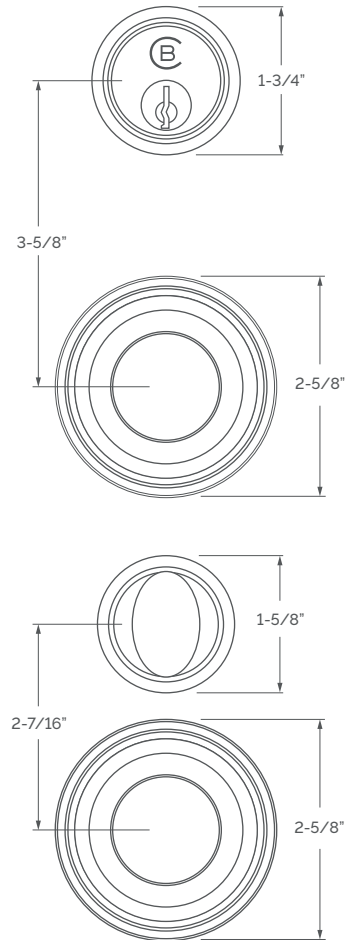
7819 Lever Latch x Auxiliary Deadbolt Set - FULL DUMMY

Above sets include 7973 Lever

REMEMBER

1. Standard mortise lock is 2-1/2" EE. Specify 2-3/4" if required.
2. Standard latch x auxiliary deadbolt: 5-1/2" c-c spacing and 2-3/8" backset. If required, specify 2-3/4" backset.
3. All levers are interchangeable.
4. A door thickness greater than 1-3/4" will require a #9901 thick door kit for mortise application.
5. Custom escutcheon sizes and drilling available.
6. HUTTER ARCH edge profile is standard. SQUARE CORNER and OFFSET edge options available.
7. Oval slot head wood screws (4/ea) are standard on the escutcheons.

ENTRANCE KNOB SETS - SECTIONAL



APPLICATIONS

7203 Knob Mortise Entrance Sectional Set

7204 Knob Latch x Auxiliary Deadbolt Sectional Set

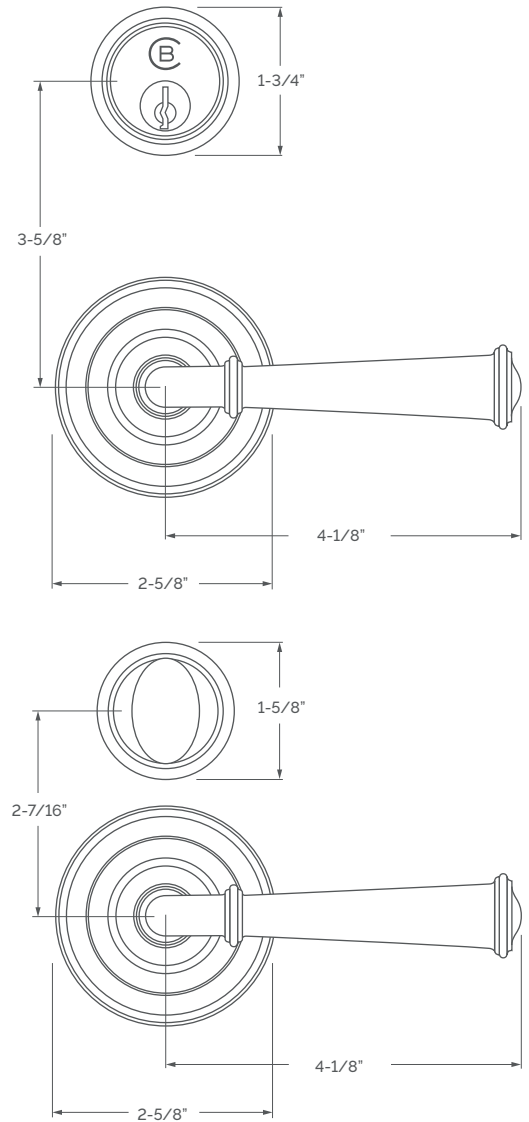
7205 Knob Sectional Set - FULL DUMMY

Above sets include 7965 Knob and 7976 Rose

REMEMBER

1. Standard mortise lock is 2-1/2" EE. Specify 2-3/4" if required.
2. Standard latch x auxiliary deadbolt: 5-1/2" c-c spacing and 2-3/8" backset. If required, specify 2-3/4" backset.
3. All knobs are interchangeable.
4. A door thickness greater than 1-3/4" will require a #9901 thick door kit for mortise application.

ENTRANCE LEVER SETS - SECTIONAL



APPLICATIONS

7206 Lever Mortise Entrance Sectional Set

7207 Lever Latch x Auxiliary Deadbolt Sectional Set

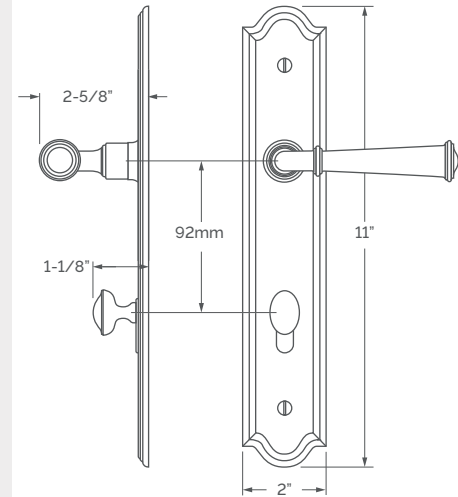
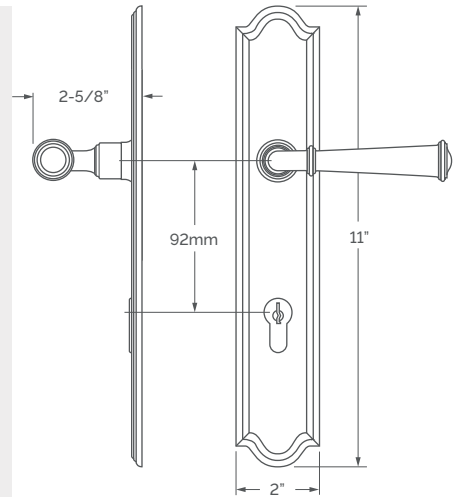
7208 Lever Sectional Set - FULL DUMMY

Above sets include 7973 Lever and 7976 Rose

REMEMBER

1. Standard mortise lock is 2-1/2" EE. Specify 2-3/4" if required.
2. Standard latch x auxiliary deadbolt: 5-1/2" c-c spacing and 2-3/8" backset. If required, specify 2-3/4" backset.
3. All levers are interchangeable.
4. A door thickness greater than 1-3/4" will require a #9901 thick door kit for mortise application.

MULTI POINT SETS - EURO



2" x 11" MULTI POINT SETS

- 7850** Lever Euro M/P Set - ENTRANCE
- 7851** Lever Euro M/P Set - FULL DUMMY
- 7852** Lever Euro M/P Set - ACTIVE DUMMY
- 7853** Lever Euro M/P Set - PATIO

Above sets include 7973 Lever

2-1/2" x 12" MULTI POINT SETS

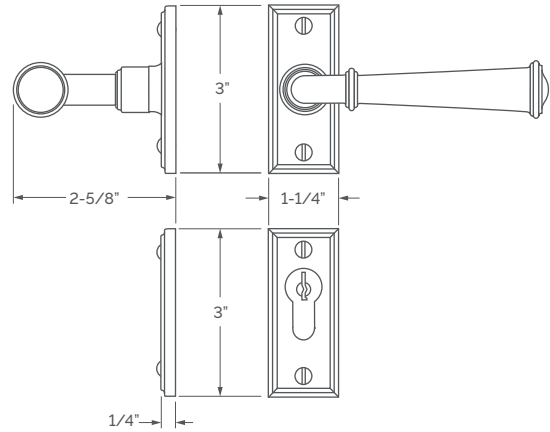
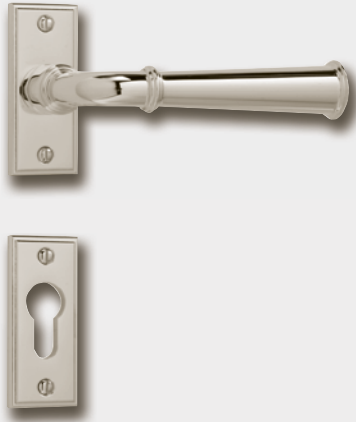
- 7856** Lever Euro M/P Set - ENTRANCE
- 7857** Lever Euro M/P Set - FULL DUMMY
- 7858** Lever Euro M/P Set - ACTIVE DUMMY
- 7859** Lever Euro M/P Set - PATIO

Above sets include 7973 Lever

REMEMBER

1. Complete our M/P Check Sheet (Form 500).
2. Standard euro profile application is LEVER HIGH – 92mm (hub-cylinder spacing).
3. All levers are interchangeable.
4. Door thickness greater than 1-3/4" will require longer euro cylinders and/or offset cylinders. 62mm KxT/P (31mm x 31mm) and 31mm Half Cylinder is standard for 1-3/4" doors.
5. Cylinders INCLUDED with all applications (collection turnpiece attached).
6. Strike not included.
7. Custom escutcheons size and drilling available.
8. HUTTER ARCH edge profile is standard. SQUARE CORNER and OFFSET edge options available.
9. Euro offset cylinders and custom lengths available upon request.

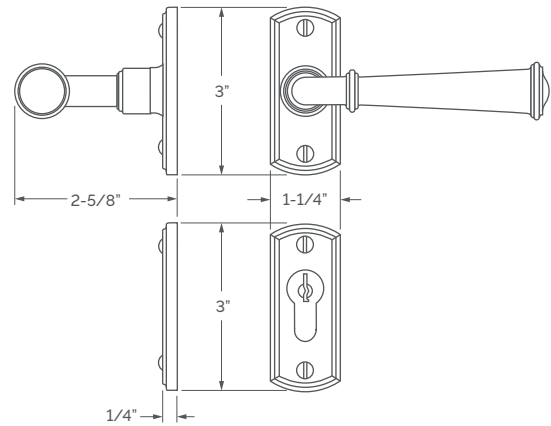
MULTI POINT SETS - EURO SECTIONAL



APPLICATIONS

- 7230** Lever Euro M/P Sectional Set - ENTRANCE
- 7231** Lever Euro M/P Sectional Set - FULL DUMMY
- 7232** Lever Euro M/P Sectional Set - ACTIVE DUMMY
- 7233** Lever Euro M/P Sectional Set - PATIO

Above sets include 7973 Lever

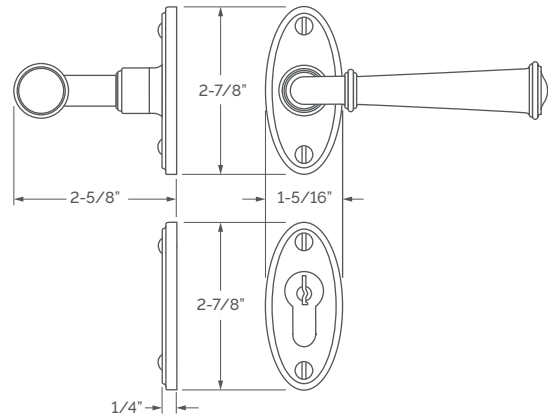


APPLICATIONS

- 7235** Lever Euro M/P Sectional Set - ENTRANCE
- 7236** Lever Euro M/P Sectional Set - FULL DUMMY
- 7237** Lever Euro M/P Sectional Set - ACTIVE DUMMY
- 7238** Lever Euro M/P Sectional Set - PATIO

Above sets include 7973 Lever

MULTI POINT SETS - EURO SECTIONAL



APPLICATIONS

- 7240** Lever Euro M/P Sectional Set - ENTRANCE
- 7241** Lever Euro M/P Sectional Set - FULL DUMMY
- 7242** Lever Euro M/P Sectional Set - ACTIVE DUMMY
- 7243** Lever Euro M/P Sectional Set - PATIO

Above sets include 7973 Lever

REMEMBER

1. VERIFY door prep will be fully covered by sectional trim.
2. Standard euro profile application is LEVER HIGH – 92mm (hub-cylinder spacing).
3. Door thickness greater than 1-3/4" will require longer euro cylinders and/or offset cylinders. 62mm KxT/P (31mm x 31mm) and 31mm Half Cylinder is standard for 1-3/4" doors.
4. Cylinders INCLUDED with all applications (collection turnpiece attached).
5. Custom rose and cylinder collar sizes available.
6. Strike not included.
7. Euro offset cylinders and custom lengths available upon request.

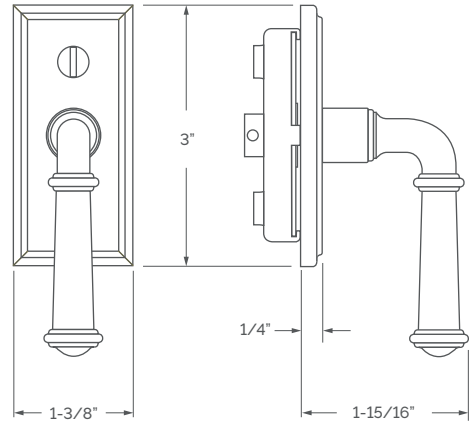
MULTI POINT WINDOW OPERATORS



APPLICATIONS

7255 M/P Window Trim Set

Above sets include 4386 Lever



REMEMBER

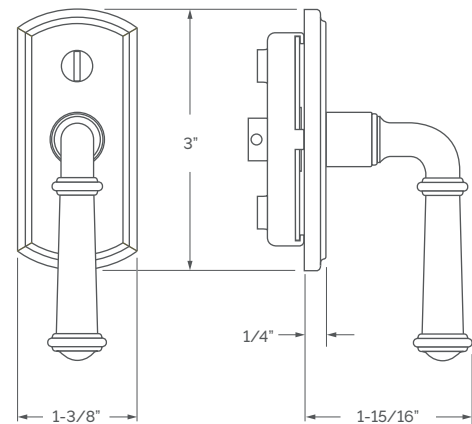
1. 7mm spindle is standard...must supply required projection from underside of escutcheon.
2. 43mm screw center to center – M5 oval slot head screws are standard.
3. Escutcheon width is a critical dimension, please verify.
4. Includes detent mechanism.



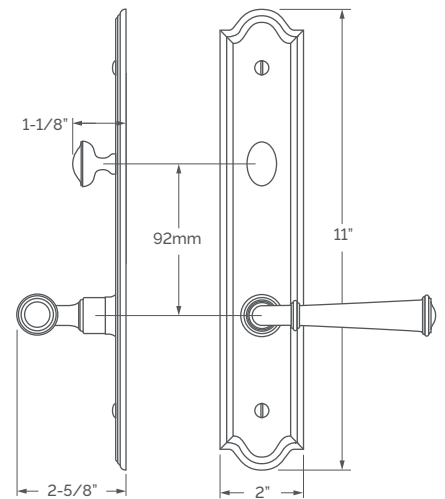
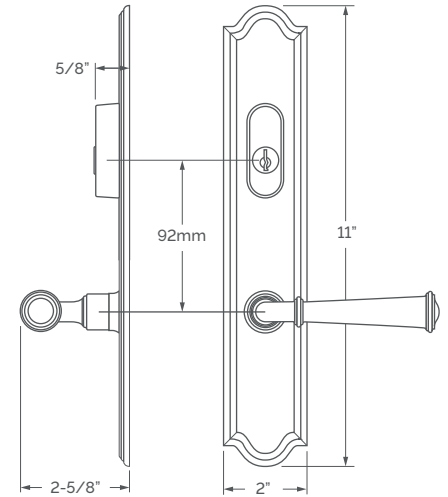
APPLICATIONS

7256 M/P Window Trim Set

Above sets include 4386 Lever



MULTI POINT SETS - AMERICAN



2" x 11" MULTI POINT SETS

- 7864** Lever Amer M/P Set - ENTRANCE
- 7865** Lever Amer M/P Set - FULL DUMMY
- 7866** Lever Amer M/P Set - ACTIVE DUMMY
- 7867** Lever Amer M/P Set - PATIO

Above sets include 7973 Lever

2-1/2" x 12" MULTI POINT SETS

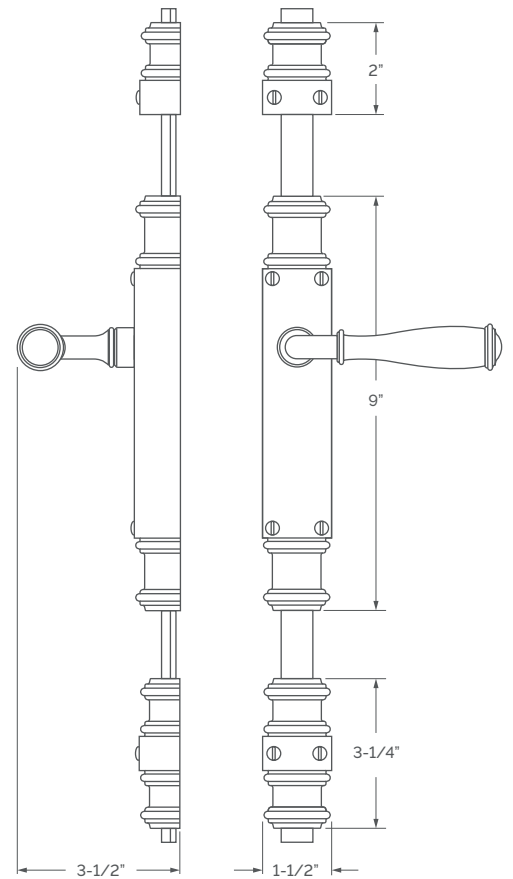
- 7870** Lever Amer M/P Set - ENTRANCE
- 7871** Lever Amer M/P Set - FULL DUMMY
- 7872** Lever Amer M/P Set - ACTIVE DUMMY
- 7873** Lever Amer M/P Set - PATIO

Above sets include 7973 Lever

REMEMBER

1. Complete our M/P Check Sheet (Form 500).
2. Standard M/P American cylinder applications: LEVER LOW – 92mm spacing.
3. Specify LEVER HIGH or custom c-c spacing if required.
4. All levers are interchangeable.
5. American cylinder included with Entrance function only.
6. Strike not included.
7. Custom escutcheons size and drilling available.
8. HUTTER ARCH edge profile is standard. SQUARE CORNER and OFFSET edge options available.

CREMONES



1-1/2" x 9" SQUARE CREMONES

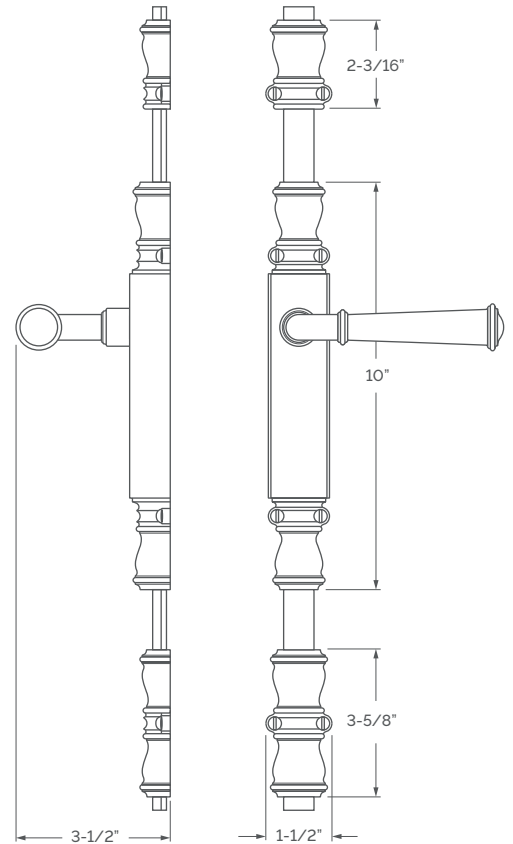
- | | | | |
|-------------|---|-------------|----------------------------|
| 7410 | Interior Cremone Only - PASSAGE | 7418 | Full Guide 1-1/2" x 3-1/4" |
| 7411 | Interior Cremone Only - PRIVACY | 7419 | Half Guide 1-1/2" x 2" |
| 7412 | Interior Cremone Only - HALF DUMMY | | |
| 7413 | Interior Cremone Only - M/P EURO - PATIO | | |
| 7414 | Interior Cremone Only - M/P EURO - ACTIVE DUMMY | | |
| 7415 | Interior Cremone Only - MORTISE - PATIO | | |

Above sets include 7373 Lever

REMEMBER

1. Cremone sets are interior trim only.
2. Locks, latches, cremone cassettes (#9994) or euro cylinders NOT included – must be ordered separately.
3. Cremone rods are FIXED for all sets except where cremone cassette is specified.
4. Any knob or lever can be used with the cremone.
5. Cremone cassettes (#9994) are available for passage, privacy and entrance function.
6. Custom strikes available upon request.

CREMONES



1-1/2" x 10" ROUND CREMONES

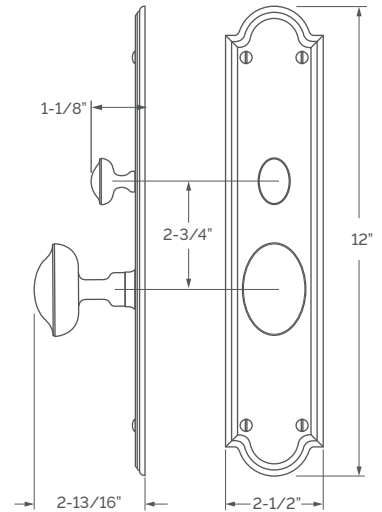
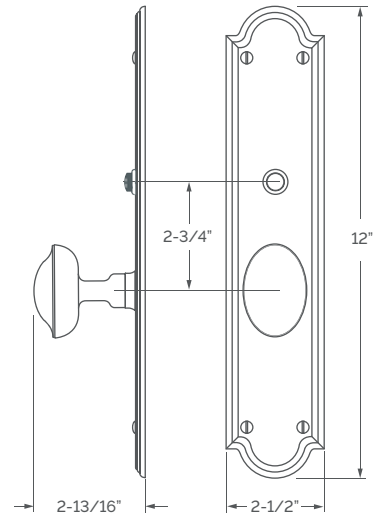
- | | | | |
|-------------|---|-------------|------------------------------|
| 7420 | Interior Cremone Only - PASSAGE | 7428 | Full Guide 1-5/8" x 3-19/32" |
| 7421 | Interior Cremone Only - PRIVACY | 7429 | Half Guide 1-5/8" x 2-3/16" |
| 7422 | Interior Cremone Only - HALF DUMMY | | |
| 7423 | Interior Cremone Only - M/P EURO - PATIO | | |
| 7424 | Interior Cremone Only - M/P EURO - ACTIVE DUMMY | | |
| 7425 | Interior Cremone Only - MORTISE - PATIO | | |

Above sets include 7973 Lever

REMEMBER

1. Cremone sets are interior trim only.
2. Locks, latches, cremone cassettes (#9994) or euro cylinders NOT included – must be ordered separately.
3. Cremone rods are FIXED for all sets except where cremone cassette is specified.
4. Any knob or lever can be used with the cremone.
5. Cremone cassettes (#9994) are available for passage, privacy and entrance function.
6. Custom strikes available upon request.

INTERIOR ESCUTCHEON SETS - KNOB



2" x 11" ESCUTCHEON SETS

- 7820** Knob Escutcheon Set - PASSAGE
- 7822** Knob Escutcheon Set - LATCH x M/B
- 7823** Knob Escutcheon Set - FULL DUMMY
- 7824** Knob Escutcheon Set - HALF DUMMY

Above sets include 7969 Oval Knob

2-1/2" x 12" ESCUTCHEON SETS

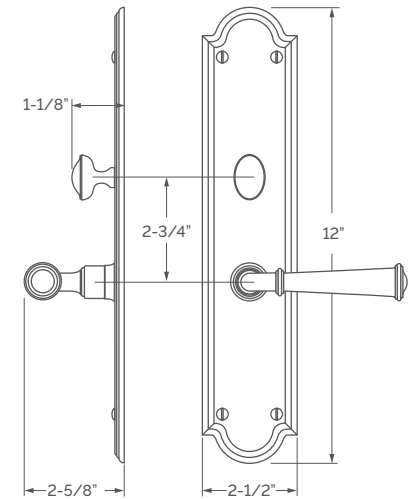
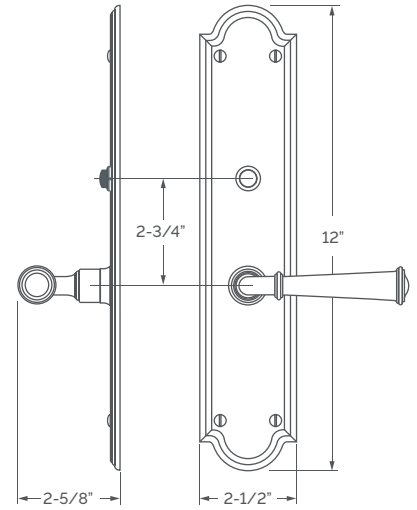
- 7834** Knob Escutcheon Set - PASSAGE
- 7835** Knob Escutcheon Set - PRIVACY
- 7836** Knob Escutcheon Set - LATCH x M/B
- 7837** Knob Escutcheon Set - FULL DUMMY
- 7838** Knob Escutcheon Set - HALF DUMMY

Above sets include 7969 Oval Knob

REMEMBER

1. Consider utilizing an interior mortise lock for quality installations.
2. All knobs and levers are interchangeable.
3. FULL LIP strikes are standard. Specify SUB "T" strike, if required.
4. Standard backset is 2-3/8" for tubular. If required, specify 2-3/4".
5. A door thickness greater than 1-3/4" will require a #9900 thick door kit for mortise application.

INTERIOR ESCUTCHEON SETS - LEVER



2" x 11" ESCUTCHEON SETS

- 7827** Lever Escutcheon Set - PASSAGE
- 7829** Lever Escutcheon Set - LATCH x M/B
- 7830** Lever Escutcheon Set - FULL DUMMY
- 7831** Lever Escutcheon Set - HALF DUMMY

Above sets include 7972 Lever

2-1/2" x 12" ESCUTCHEON SETS

- 7842** Lever Escutcheon Set - PASSAGE
- 7843** Lever Escutcheon Set - PRIVACY
- 7844** Lever Escutcheon Set - LATCH x M/B
- 7845** Lever Escutcheon Set - FULL DUMMY
- 7846** Lever Escutcheon Set - HALF DUMMY

Above sets include 7973 Lever

REMEMBER

6. Custom escutcheon sizes and drilling available.
7. HUTTER ARCH edge profile is standard. SQUARE CORNER and OFFSET edge options available.
8. Combination strike and faceplate available for latch x mortise bolt function.
9. Oval slot head wood screws (4/ea) are standard on the escutcheons.

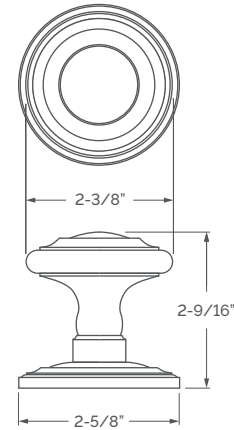
INTERIOR KNOB SETS



2-5/8" ROSE SETS

- 7900** Knob Set - PASSAGE
- 7908** Knob Set - PRIVACY
- 7916** Knob Set - FULL DUMMY
- 7924** Knob Set - HALF DUMMY

- 7965** Knob Only 2-3/8"
- 7976** Rose Only 2-5/8"



3" ROSE SETS

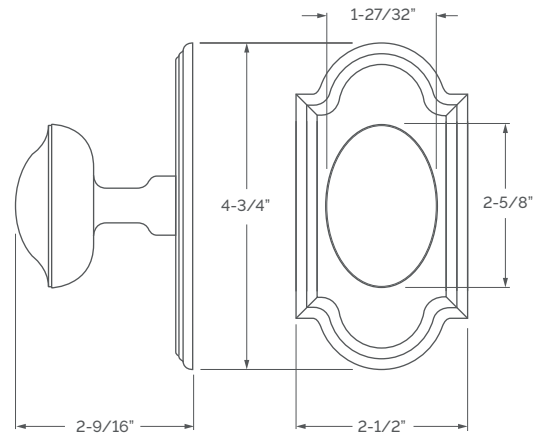
- 7901** Knob Set - PASSAGE
- 7909** Knob Set - PRIVACY
- 7917** Knob Set - FULL DUMMY
- 7925** Knob Set - HALF DUMMY

- 7966** Knob Only 2-7/8"
- 7977** Rose Only 3"



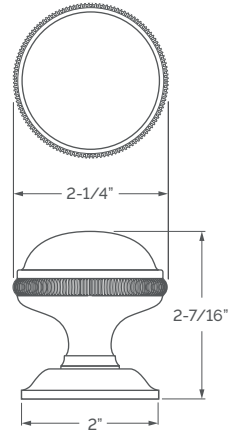
2-1/2" x 4-3/4" ROSE SETS

- 7905** Oval Knob Set - PASSAGE
- 7913** Oval Knob Set - PRIVACY
- 7921** Oval Knob Set - FULL DUMMY
- 7929** Oval Knob Set - HALF DUMMY



- 7969** Oval Knob Only 1-27/32" x 2-5/8"
- 7982** Rose Only 2-1/2" x 4-3/4"

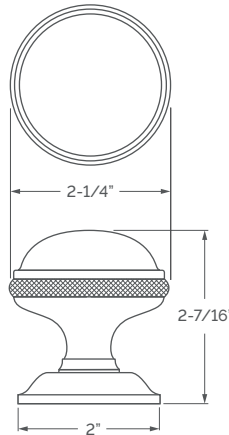
INTERIOR KNOB SETS



2" ROSE SETS

- 7903** Coin Knob Set - PASSAGE
- 7911** Coin Knob Set - PRIVACY
- 7919** Coin Knob Set - FULL DUMMY
- 7927** Coin Knob Set - HALF DUMMY

- 7968** Coin Knob Only 2-1/4"
- 7978** Rose Only 2"

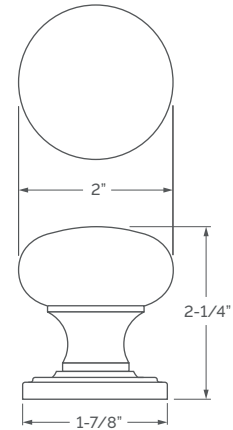


2" ROSE SETS

- 7902** Cross Hatch Knob Set - PASSAGE
- 7910** Cross Hatch Knob Set - PRIVACY
- 7918** Cross Hatch Knob Set - FULL DUMMY
- 7926** Cross Hatch Knob Set - HALF DUMMY

- 7967** Cross Hatch Knob Only 2-1/4"
- 7978** Rose Only 2"

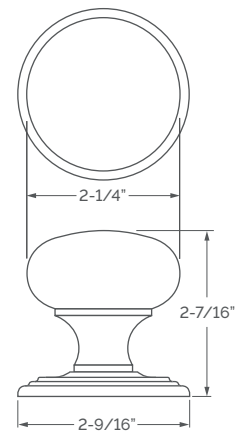
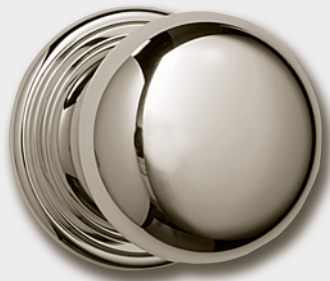
INTERIOR KNOB SETS



1-7/8" ROSE SETS

- 7300** Knob Set - PASSAGE
- 7308** Knob Set - PRIVACY
- 7316** Knob Set - FULL DUMMY
- 7324** Knob Set - HALF DUMMY

- 7365** Knob Only 2"
- 7376** Rose Only 1-7/8"



2-9/16" ROSE SETS

- 7301** Knob Set - PASSAGE
- 7309** Knob Set - PRIVACY
- 7317** Knob Set - FULL DUMMY
- 7325** Knob Set - HALF DUMMY

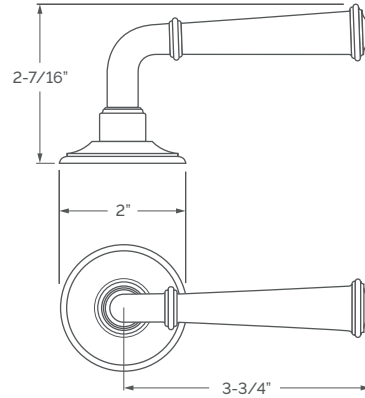
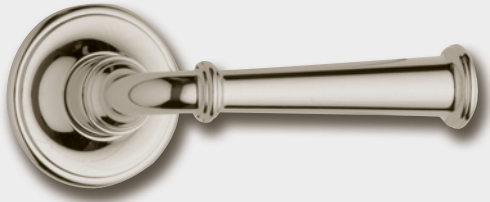
Above sets include 7366 Knob

- 7302** Knob Set - PASSAGE
- 7310** Knob Set - PRIVACY
- 7318** Knob Set - FULL DUMMY
- 7326** Knob Set - HALF DUMMY

Above sets include 7367 Knob

- 7366** Knob Only 2-1/4"
- 7367** Knob Only 2-1/2"
- 7377** Rose Only 2-9/16"

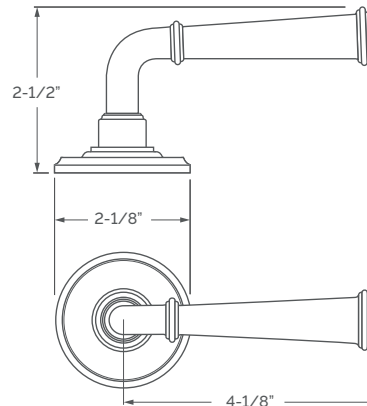
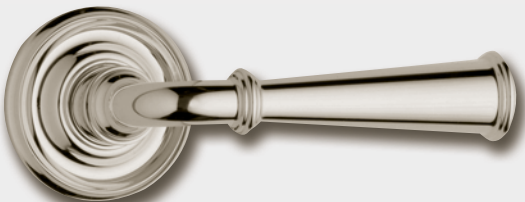
INTERIOR LEVER SETS



2" ROSE SETS

- 7934** Lever Set - PASSAGE
- 7942** Lever Set - PRIVACY
- 7950** Lever Set - FULL DUMMY
- 7958** Lever Set - HALF DUMMY

- 7972** Lever Only 3-3/4"
- 7979** Rose Only 2"



2-1/8" ROSE SETS

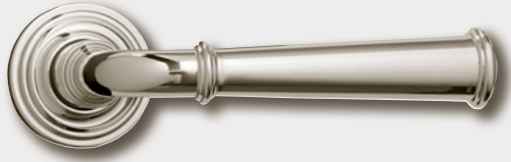
- 7935** Lever Set - PASSAGE
- 7943** Lever Set - PRIVACY
- 7951** Lever Set - FULL DUMMY
- 7959** Lever Set - HALF DUMMY

2-5/8" ROSE SETS

- 7933** Lever Set - PASSAGE
- 7941** Lever Set - PRIVACY
- 7949** Lever Set - FULL DUMMY
- 7957** Lever Set - HALF DUMMY

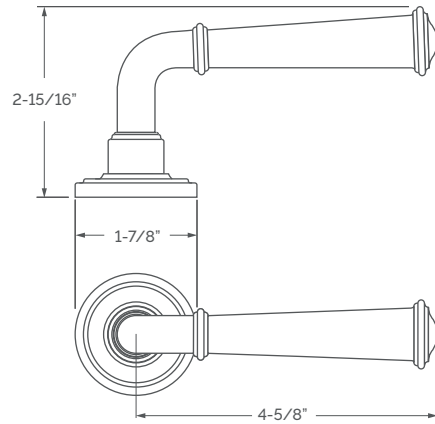
- 7973** Lever Only 4-1/8"
- 7976** Rose Only 2-5/8"
- 7980** Rose Only 2-1/8"

INTERIOR LEVER SETS



1-7/8" ROSE SETS

- 7333** Lever Set - PASSAGE
- 7341** Lever Set - PRIVACY
- 7349** Lever Set - FULL DUMMY
- 7357** Lever Set - HALF DUMMY



2-9/16" ROSE SETS

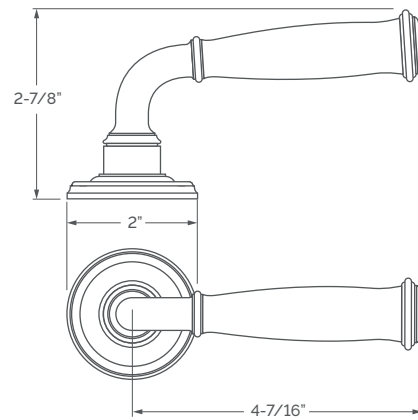
- 7334** Lever Set - PASSAGE
- 7342** Lever Set - PRIVACY
- 7350** Lever Set - FULL DUMMY
- 7358** Lever Set - HALF DUMMY

- 7374** Lever Only 4-5/8"
- 7376** Rose Only 1-7/8"
- 7377** Rose Only 2-9/16"



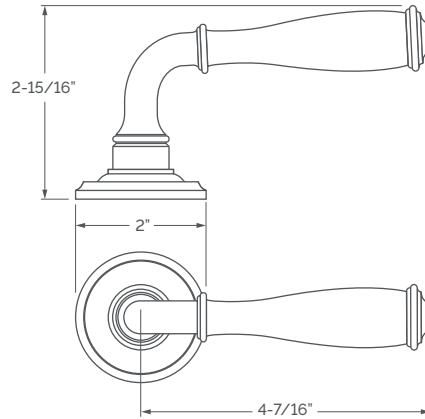
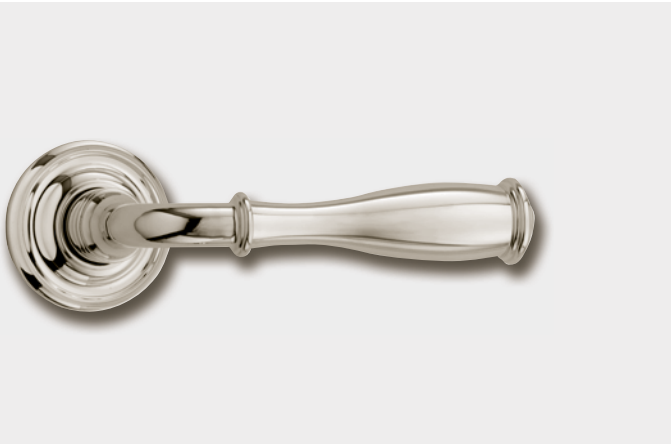
2" ROSE SETS

- 7335** Lever Set - PASSAGE
- 7343** Lever Set - PRIVACY
- 7351** Lever Set - FULL DUMMY
- 7359** Lever Set - HALF DUMMY



- 7372** Lever Only 4-7/16"
- 14080** Rose Only 2"

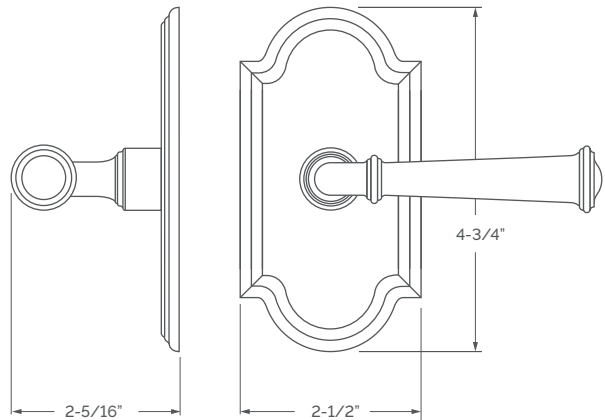
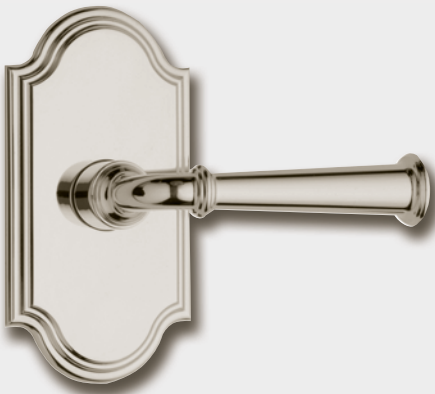
INTERIOR LEVER SETS



2" ROSE SETS

- 7336** Lever Set - PASSAGE
- 7344** Lever Set - PRIVACY
- 7352** Lever Set - FULL DUMMY
- 7360** Lever Set - HALF DUMMY

- 7373** Lever Only 4-7/16"
- 14687** Rose Only 2"

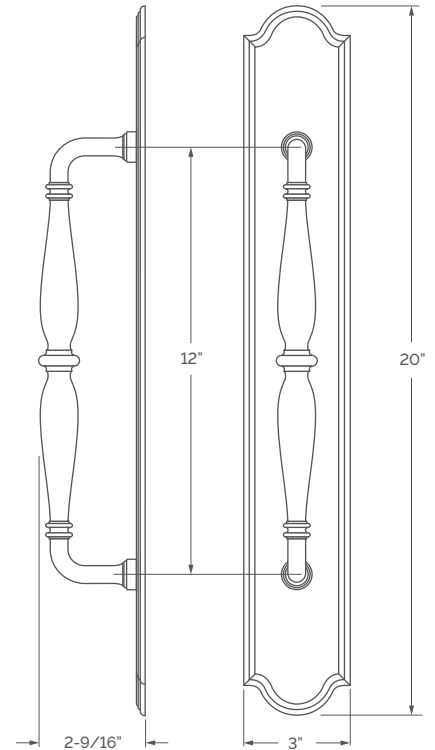


2-1/2" x 4-3/4" ROSE SETS

- 7937** Lever Set - PASSAGE
- 7945** Lever Set - PRIVACY
- 7953** Lever Set - FULL DUMMY
- 7961** Lever Set - HALF DUMMY

- 7973** Lever Only 4-1/8"
- 7982** Rose Only 2-1/2" x 4-3/4"

PULLS, PUSH PLATES & PULL PLATES



APPLICATIONS

7889 Pull 8" c-c

7890 Pull 12" c-c

7884 Pull w/ Rose (P) 7889 (R) 7980 2-1/8"

7885 Pull Plate 2-1/2" x 12" (P) 7889

7886 Pull Plate 3" x 20" (P) 7889

7887 Pull Plate 3" x 20" (P) 7890

7881 Push Plate 2" x 11"

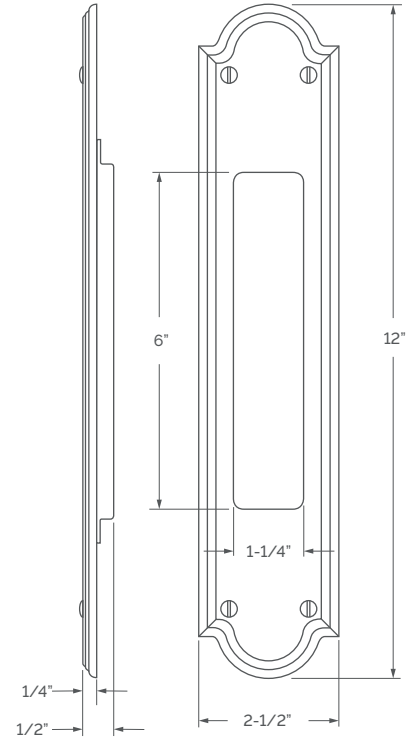
7882 Push Plate 2-1/2" x 12"

7883 Push Plate 3" x 20"

REMEMBER

1. Back-to-back applications available for pulls and pull plates.
Specify #9958 for BTB and #9959 for Single Sided mounting.
2. Custom escutcheon sizes and drilling available.
3. HUTTER ARCH edge profile is standard. SQUARE CORNER and OFFSET edge options available.

FLUSH PULLS



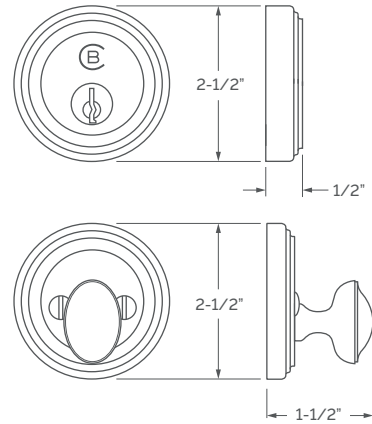
APPLICATIONS

- 7891** Flush Pull Only
- 7892** Flush Pull w/ Turnpiece
- 7893** Flush Pull w/ Cylinder Hole
- 7391** Flush Pull Set - PASSAGE w/ 9730
- 7392** Flush Pull Set - PASSAGE w/ Accurate 2000
- 7393** Flush Pull Set - PRIVACY w/ Accurate 2002

REMEMBER

1. Standard backset is 2-1/2" for mortise. If required, specify 2-3/4" backset.
2. Verify jamb clearance for escutcheon projection.
3. Edge pulls available - Standard or Mortise.
4. Custom escutcheon sizes and drilling available.
5. HUTTER ARCH edge profile is standard. SQUARE CORNER and OFFSET edge options available.
6. Oval slot head wood screws (4/ea) are standard on the escutcheons.

AUXILIARY DEADBOLTS



APPLICATIONS

7988 Auxiliary Deadbolt Set (KEY x TP) 2"

7989 Auxiliary Deadbolt Set (KEY x KEY) 2"

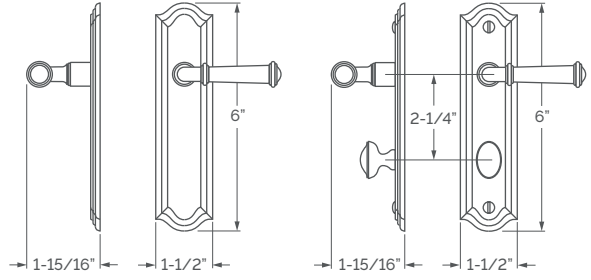
7991 Auxiliary Deadbolt Set (KEY x TP) 2-1/2"

7992 Auxiliary Deadbolt Set (KEY x KEY) 2-1/2"

REMEMBER

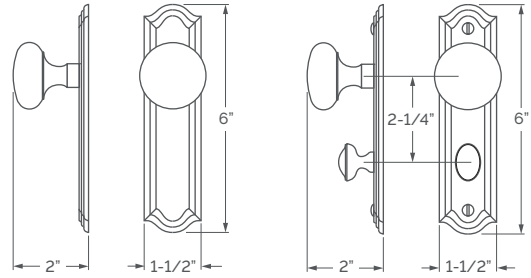
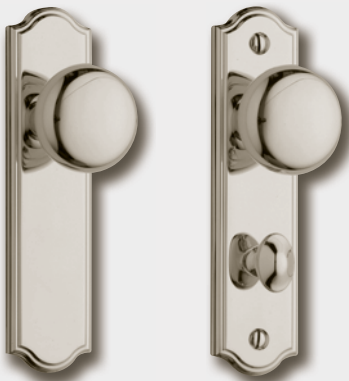
1. Should you require key alike, please specify.
2. Standard backset is 2-3/8". If required, specify 2-3/4".

SCREEN DOOR SETS



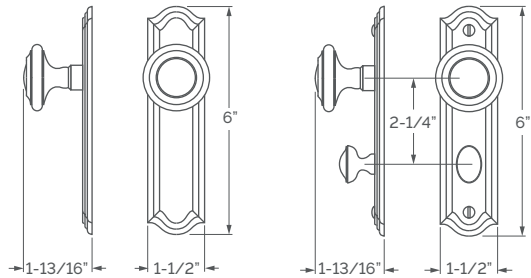
APPLICATIONS

- 7894** Lever Screen Door Set - PASSAGE
- 7895** Lever Screen Door Set - PATIO
- 7381** Lever Screen Door Set - FULL DUMMY



APPLICATIONS

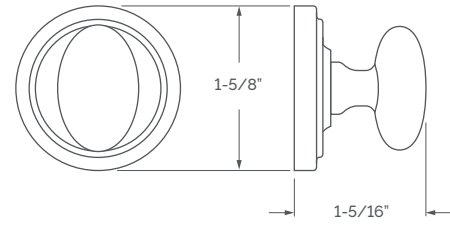
- 7896** Knob Screen Door Set - PASSAGE
- 7897** Knob Screen Door Set - PATIO
- 7382** Knob Screen Door Set - FULL DUMMY



APPLICATIONS

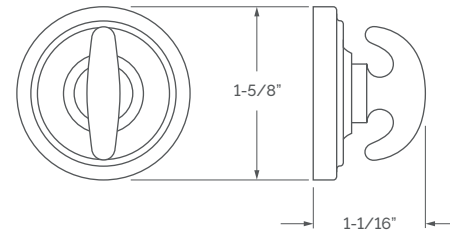
- 7898** Knob Screen Door Set - PASSAGE
- 7899** Knob Screen Door Set - PATIO
- 7383** Knob Screen Door Set - FULL DUMMY

MORTISE BOLTS



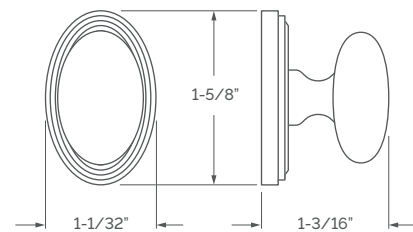
APPLICATIONS

- 7384** Complete Mortise Bolt Set
- 7385** Turnpiece and Plate w/ Mortise Bolt
- 7386** Turnpiece and Plate



APPLICATIONS

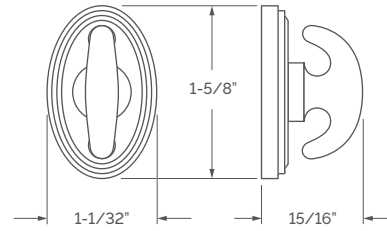
- 7387** Complete Mortise Bolt Set
- 7388** Turnpiece and Plate w/ Mortise Bolt
- 7389** Turnpiece and Plate



APPLICATIONS

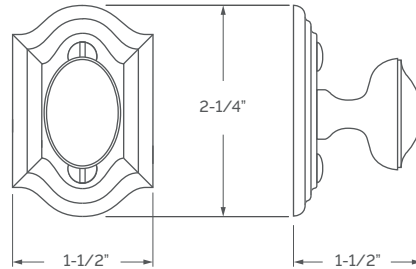
- 7394** Complete Mortise Bolt Set
- 7395** Turnpiece and Plate w/ Mortise Bolt
- 7396** Turnpiece and Plate

MORTISE BOLTS



APPLICATIONS

- 7397** Complete Mortise Bolt Set
- 7398** Turnpiece and Plate w/ Mortise Bolt
- 7399** Turnpiece and Plate



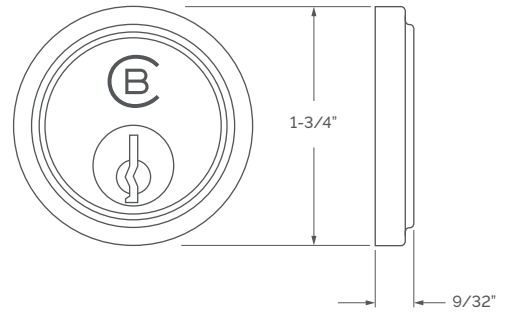
APPLICATIONS

- 7994** Complete Mortise Bolt Set
- 7995** Turnpiece and Plate w/ Mortise Bolt
- 7996** Turnpiece and Plate

REMEMBER

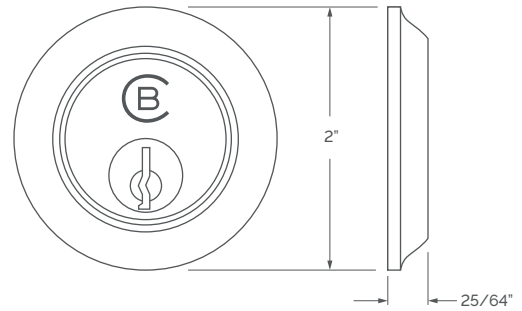
1. Standard backset is 2-3/8". If required specify 2-3/4" backset.

CYLINDER COLLARS



APPLICATIONS

9930 Cylinder Collar



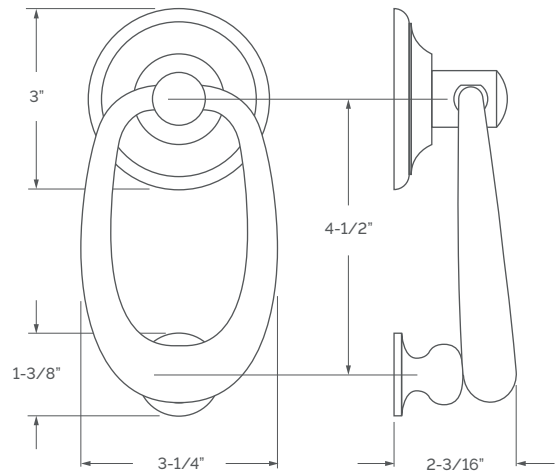
APPLICATIONS

9931 Cylinder Collar

REMEMBER

1. Cylinders order separate.

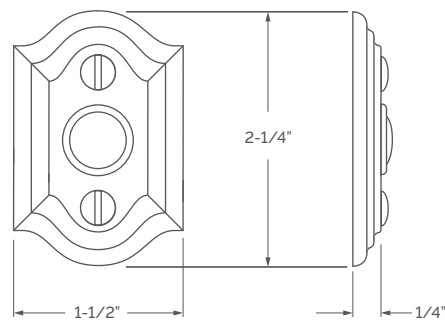
DOOR KNOCKER



APPLICATIONS

7998 Door Knocker

DOORBELL ESCUTCHEON



APPLICATIONS

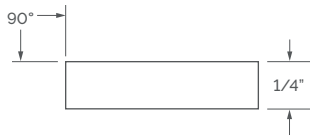
7999 Doorbell Escutcheon

REMEMBER

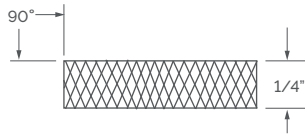
1. Doorbell button NOT included.



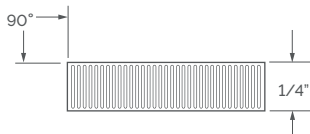
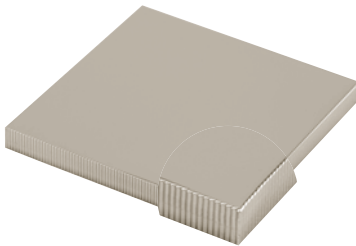
SLAB
Standard



CROSS HATCH



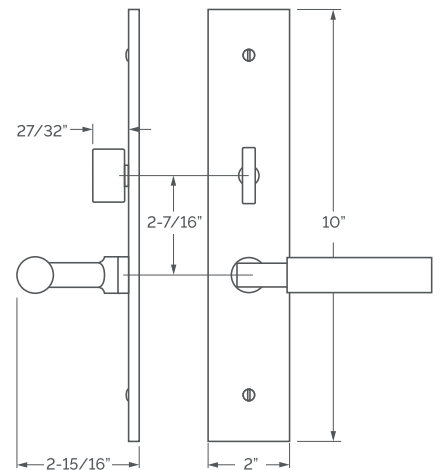
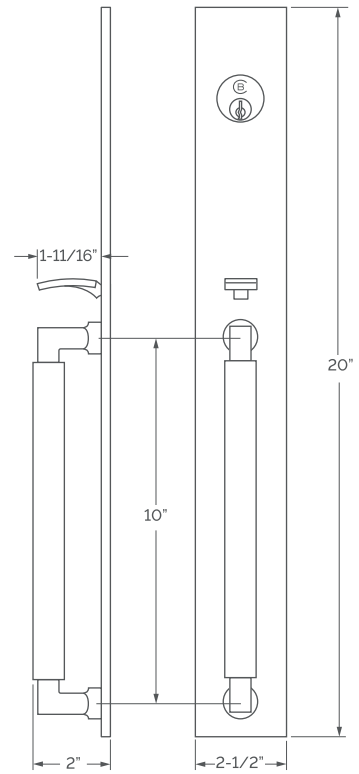
COIN



REMEMBER

1. Custom escutcheon sizes are available.
2. Standard escutcheon thickness is 1/4" — alternate thickness available upon request.
3. Contact us to discuss custom edge details or profiles.

ENTRANCE HANDLE SETS



APPLICATIONS

- 17000** Entrance Handle Set - Lever
- 17002** Entrance Handle Set - T/P x T/P
- 17005** Entrance Handle Set - Lever - FULL DUMMY
- 17007** Entrance Handle Set - T/P x T/P - FULL DUMMY

Above sets include 17173 Lever

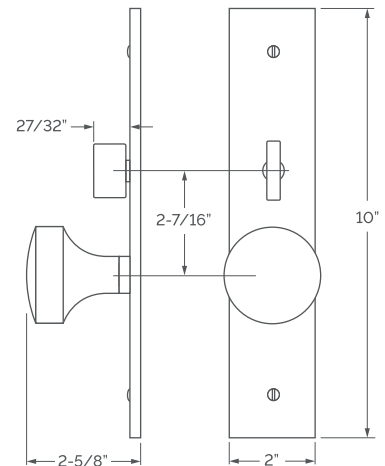
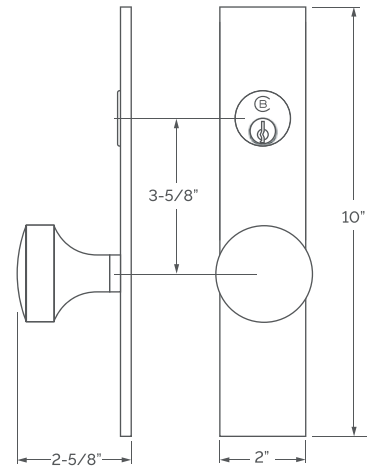
- 17001** Entrance Handle Set - Knob
- 17006** Entrance Handle Set - Knob - FULL DUMMY

Above sets include 17170 Knob

REMEMBER

1. Standard mortise lock is 2-1/2" EE. Specify 2-3/4" if required.
2. All knobs and levers are interchangeable.
3. A door thickness greater than 1-3/4" will require a #9901 thick door kit.
4. Custom escutcheon sizes and drilling available.
5. SLAB edge is standard. Specify COIN or CROSS HATCH edge detail if required.
6. Concealed undermount attachment is standard on exterior escutcheon.
Oval slot head wood screws (2/ea) are standard on interior escutcheon.

ENTRANCE KNOB SETS



APPLICATIONS

17020 Knob Mortise Entrance Set

17021 Knob Mortise Entrance Set - FULL DUMMY

17022 Knob Latch x Auxiliary Deadbolt Set

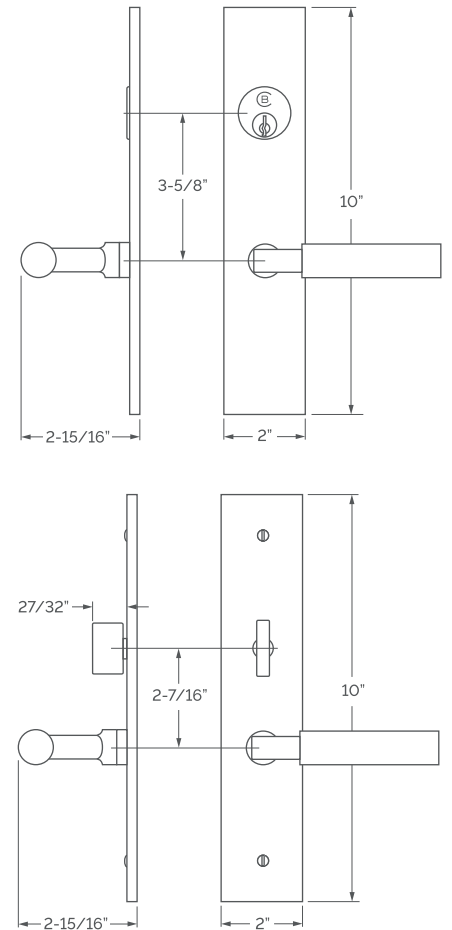
17023 Knob Latch x Auxiliary Deadbolt Set - FULL DUMMY

Above sets include 17170 Knob

REMEMBER

1. Standard mortise lock is 2-1/2" EE. Specify 2-3/4" if required.
2. Standard latch x auxiliary deadbolt: 5-1/2" c-c spacing and 2-3/8" backset. If required, specify 2-3/4" backset.
3. All knobs are interchangeable.
4. A door thickness greater than 1-3/4" will require a #9901 thick door kit for mortise application.
5. Custom escutcheon sizes and drilling available.
6. SLAB edge is standard. Specify COIN or CROSS HATCH edge detail if required.
7. Concealed undermount attachment is standard on exterior escutcheon.
Oval slot head machine screws (2/ea) are standard on interior escutcheon.

ENTRANCE LEVER SETS



APPLICATIONS

17010 Lever Mortise Entrance Set

17011 Lever Mortise Entrance Set - FULL DUMMY

17012 Lever Latch x Auxiliary Deadbolt Set

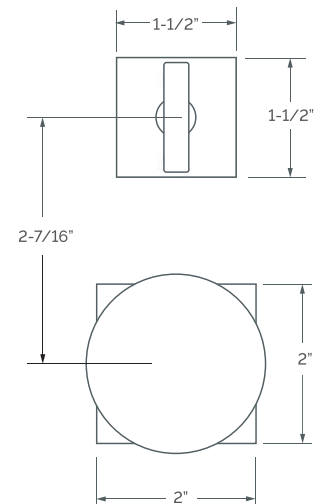
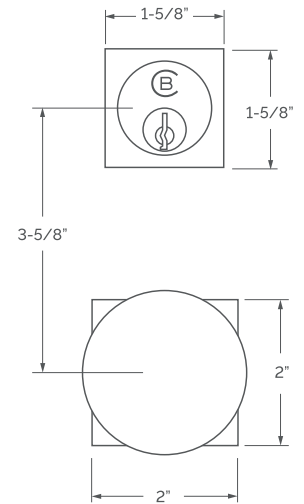
17013 Lever Latch x Auxiliary Deadbolt Set - FULL DUMMY

Above sets include 17173 Lever

REMEMBER

1. Standard mortise lock is 2-1/2" EE. Specify 2-3/4" if required.
2. Standard latch x auxiliary deadbolt: 5-1/2" c-c spacing and 2-3/8" backset. If required, specify 2-3/4" backset.
3. All levers are interchangeable.
4. A door thickness greater than 1-3/4" will require a #9901 thick door kit for mortise application.
5. Custom escutcheon sizes and drilling available.
6. SLAB edge is standard. Specify COIN or CROSS HATCH edge detail if required.
7. Concealed undermount attachment is standard on exterior escutcheon.
Oval slot head machine screws (2/ea) are standard on interior escutcheon.

ENTRANCE KNOB SETS - SECTIONAL



APPLICATIONS

17024 Knob Mortise Entrance Sectional Set

17025 Knob Latch x Auxiliary Deadbolt Sectional Set

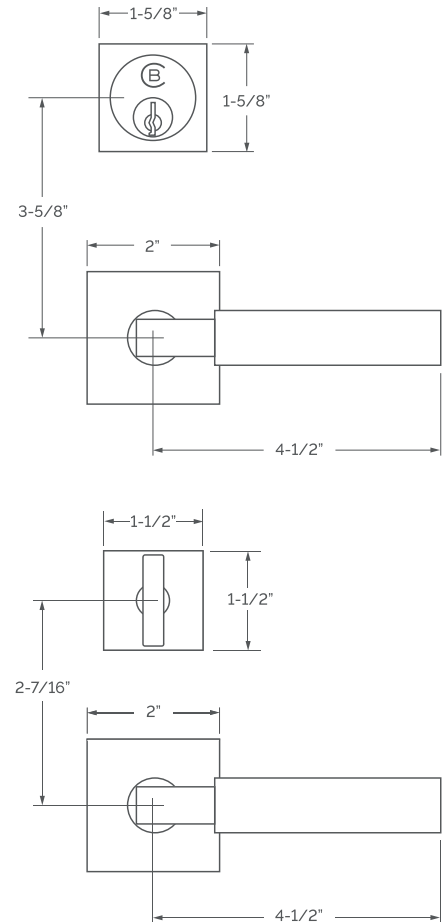
17026 Knob Sectional Set - FULL DUMMY

Above sets include 17170 Knob and 17176 Rose

REMEMBER

1. Standard mortise lock is 2-1/2" EE. Specify 2-3/4" if required.
2. Standard latch x auxiliary deadbolt: 5-1/2" c-c spacing and 2-3/8" backset. If required, specify 2-3/4" backset.
3. All knobs are interchangeable.
4. A door thickness greater than 1-3/4" will require a #9901 thick door kit for mortise application.
5. SLAB edge is standard. Specify COIN or CROSS HATCH edge detail if required.
6. Undermount is standard. Surface mount oval slot head screws available.

ENTRANCE LEVER SETS - SECTIONAL



APPLICATIONS

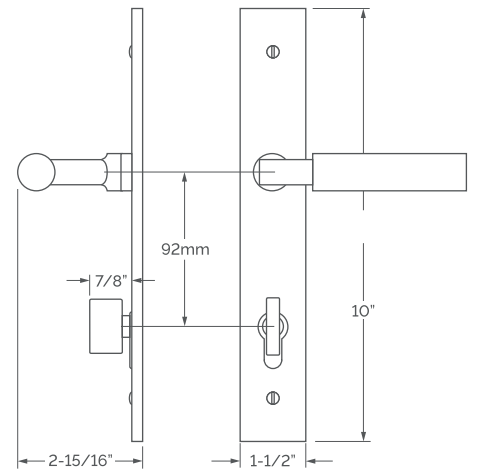
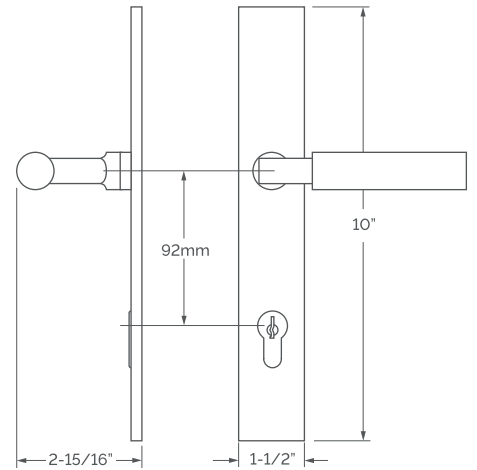
- 17016** Lever Mortise Entrance Sectional Set
- 17018** Lever Latch x Auxiliary Deadbolt Sectional Set
- 17019** Lever Sectional Set - FULL DUMMY

Above sets include 17173 Lever and 17176 Rose

REMEMBER

1. Standard mortise lock is 2-1/2" EE. Specify 2-3/4" if required.
2. Standard latch x auxiliary deadbolt: 5-1/2" c-c spacing and 2-3/8" backset. If required, specify 2-3/4" backset.
3. All levers are interchangeable.
4. A door thickness greater than 1-3/4" will require a #9901 thick door kit for mortise application.
5. SLAB edge is standard. Specify COIN or CROSS HATCH edge detail if required.
6. Undermount is standard. Surface mount oval slot head screws available.

MULTI POINT SETS - EURO



1-1/2" x 10" MULTI POINT SETS

- 17050** Lever Euro M/P Set - ENTRANCE
- 17051** Lever Euro M/P Set - FULL DUMMY
- 17052** Lever Euro M/P Set - ACTIVE DUMMY
- 17053** Lever Euro M/P Set - PATIO

Above sets include 17173 Lever

2" x 10" MULTI POINT SETS

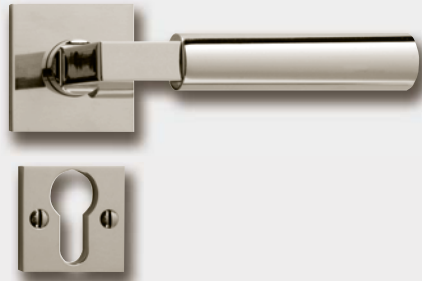
- 17056** Lever Euro M/P Set - ENTRANCE
- 17057** Lever Euro M/P Set - FULL DUMMY
- 17058** Lever Euro M/P Set - ACTIVE DUMMY
- 17059** Lever Euro M/P Set - PATIO

Above sets include 17173 Lever

REMEMBER

1. Complete our M/P Check Sheet (Form 500).
2. Standard euro profile application is LEVER HIGH – 92mm (hub-cylinder spacing).
3. All levers are interchangeable.
4. Door thickness greater than 1-3/4" will require longer euro cylinders and/or offset cylinders. 62mm KxT/P (31mm x 31mm) and 31mm Half Cylinder is standard for 1-3/4" doors.
5. Cylinders INCLUDED with all applications (collection turnpiece attached).
6. Strike not included.
7. Custom escutcheons size and drilling available.
8. SLAB edge is standard. Specify COIN or CROSS HATCH edge detail if required.
9. Euro offset cylinders and custom lengths available upon request.

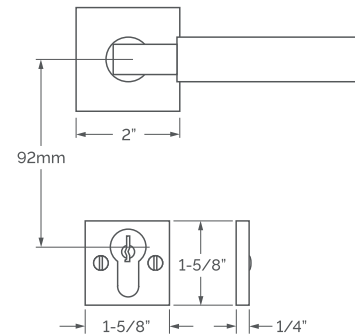
MULTI POINT SETS - EURO SECTIONAL



APPLICATIONS

- 17060** Lever Euro M/P Sectional Set - ENTRANCE
- 17061** Lever Euro M/P Sectional Set - FULL DUMMY
- 17062** Lever Euro M/P Sectional Set - ACTIVE DUMMY
- 17063** Lever Euro M/P Sectional Set - PATIO

Above sets include 17173 Lever



REMEMBER

1. VERIFY door prep will be fully covered by sectional trim.
2. Standard euro profile application is LEVER HIGH – 92mm (hub-cylinder spacing).
3. Door thickness greater than 1-3/4" will require longer euro cylinders and/or offset cylinders. 62mm KxT/P (31mm x 31mm) and 31mm Half Cylinder is standard for 1-3/4" doors.
4. Cylinders INCLUDED with all applications (collection turnpiece attached).
5. Custom rose and cylinder collar sizes available.
6. SLAB edge is standard. Specify COIN or CROSS HATCH edge detail if required.
7. Strike not included.
8. Euro offset cylinders and custom lengths available upon request.

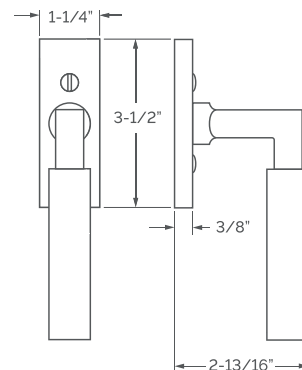
MULTI POINT WINDOW OPERATOR



APPLICATIONS

- 17065** M/P Window Trim Set

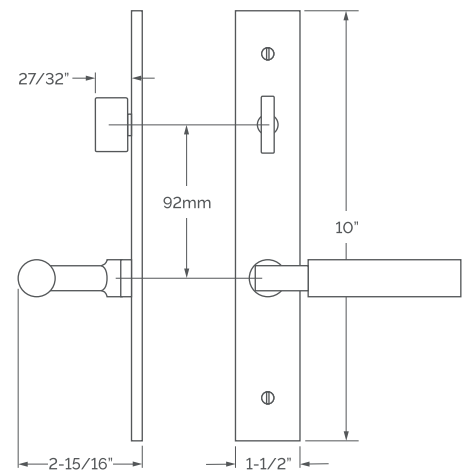
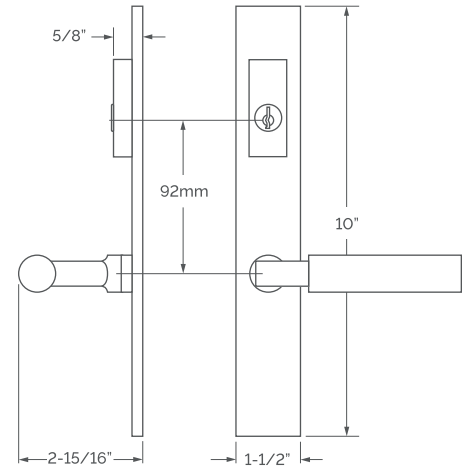
Above sets include 17173 Lever



REMEMBER

1. 7mm spindle is standard...must supply required projection from underside of escutcheon.
2. 43mm screw center to center – M5 oval slot head screws are standard.
3. Escutcheon width is a critical dimension, please verify.
4. Includes detent mechanism.

MULTI POINT SETS - AMERICAN

**1-1/2" x 10" MULTI POINT SETS**

- 17070** Lever Amer M/P Set - ENTRANCE
- 17071** Lever Amer M/P Set - FULL DUMMY
- 17072** Lever Amer M/P Set - ACTIVE DUMMY
- 17073** Lever Amer M/P Set - PATIO

Above sets include 17173 Lever

2" x 10" MULTI POINT SETS

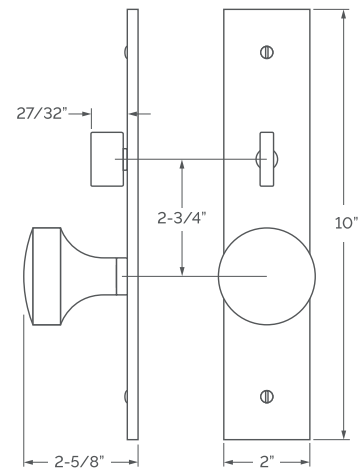
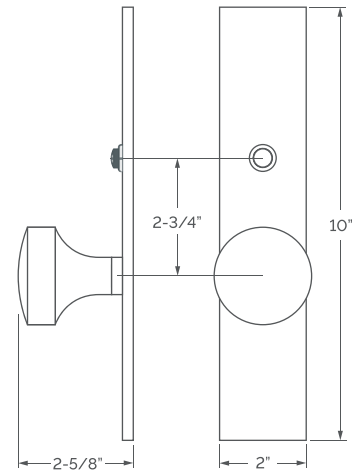
- 17076** Lever Amer M/P Set - ENTRANCE
- 17077** Lever Amer M/P Set - FULL DUMMY
- 17078** Lever Amer M/P Set - ACTIVE DUMMY
- 17079** Lever Amer M/P Set - PATIO

Above sets include 17173 Lever

REMEMBER

1. Complete our M/P Check Sheet (Form 500).
2. Standard M/P American cylinder applications: LEVER LOW- 92mm spacing.
3. Specify LEVER HIGH or custom c-c spacing if required.
4. All levers are interchangeable.
5. American cylinder included with Entrance function only.
6. Strike not included.
7. Custom escutcheons size and drilling available.
8. SLAB edge is standard. Specify COIN or CROSS HATCH edge detail if required.

INTERIOR ESCUTCHEON SETS - KNOB



APPLICATIONS

- 17034** Knob Escutcheon Set - PASSAGE
- 17035** Knob Escutcheon Set - LATCH x M/B
- 17036** Knob Escutcheon Set - FULL DUMMY
- 17037** Knob Escutcheon Set - HALF DUMMY

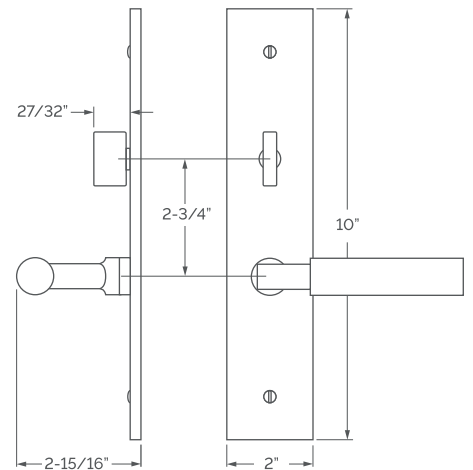
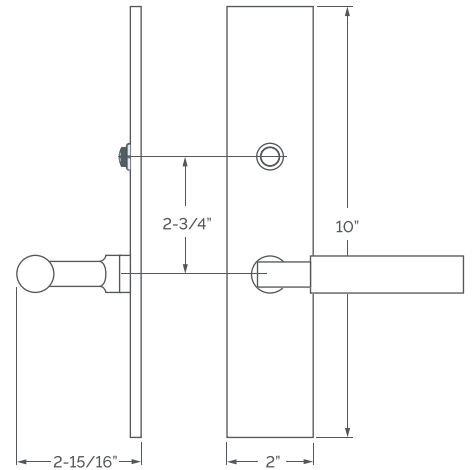
- 17038** Knob Escutcheon Mortise Set - PASSAGE
- 17039** Knob Escutcheon Mortise Set - PRIVACY

Above sets include 17170 Knob

REMEMBER

1. Specify interior mortise lock for quality installations.
2. All knobs and levers are interchangeable.
3. FULL LIP strikes are standard. Specify SUB "T" strike, if required.
4. Standard backset is 2-3/8" for tubular. If required, specify 2-3/4".
Standard backset is 2-1/2" for mortise. If required, specify 2-3/4".
5. A door thickness greater than 1-3/4" will require a #9900 thick door kit for mortise application.

INTERIOR ESCUTCHEON SETS - LEVER



APPLICATIONS

- 17027** Lever Escutcheon Set - PASSAGE
- 17028** Lever Escutcheon Set - LATCH x M/B
- 17029** Lever Escutcheon Set - FULL DUMMY
- 17030** Lever Escutcheon Set - HALF DUMMY

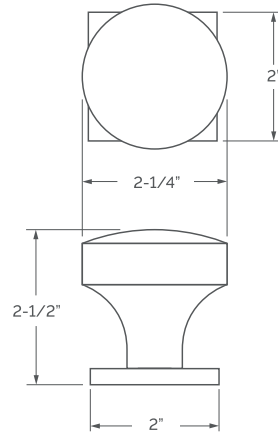
- 17031** Lever Escutcheon Mortise Set - PASSAGE
- 17032** Lever Escutcheon Mortise Set - PRIVACY

Above sets include 17173 Lever

REMEMBER

6. Custom escutcheon sizes and drilling available.
7. SLAB edge is standard. Specify COIN or CROSS HATCH edge detail if required.
8. Combination strike and faceplate available for latch x mortise bolt function.
9. Concealed undermount attachment is standard on exterior escutcheon.
Oval slot head machine screws (2/ea) are standard on interior escutcheon.

INTERIOR KNOB SETS



2" ROSE SETS

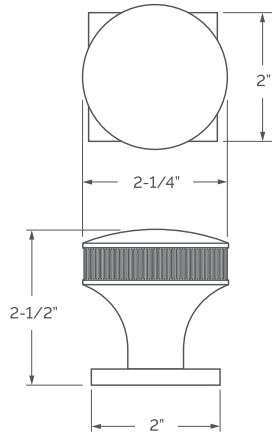
- 17112** Knob Set - PASSAGE
- 17113** Knob Set - PRIVACY
- 17114** Knob Set - SECTIONAL PRIVACY
- 17115** Knob Set - FULL DUMMY
- 17116** Knob Set - HALF DUMMY

- 17117** Knob Mortise Set - PASSAGE
- 17118** Knob Mortise Set - PRIVACY

2-1/2" ROSE SETS

- 17122** Knob Set - PASSAGE
- 17123** Knob Set - PRIVACY
- 17124** Knob Set - SECTIONAL PRIVACY
- 17125** Knob Set - FULL DUMMY
- 17126** Knob Set - HALF DUMMY

- 17170** Knob Only 2-1/4"
- 17176** Square Rose Only 2"
- 17177** Square Rose Only 2-1/2"



2" ROSE SETS

- 17302** Inset Coin Knob Set - PASSAGE
- 17303** Inset Coin Knob Set - PRIVACY
- 17304** Inset Coin Knob Set - SECTIONAL PRIVACY
- 17305** Inset Coin Knob Set - FULL DUMMY
- 17306** Inset Coin Knob Set - HALF DUMMY

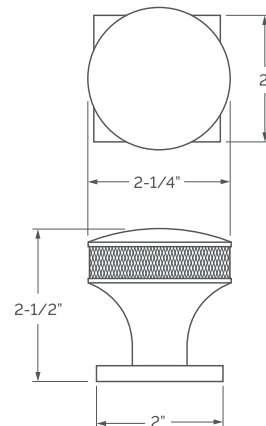
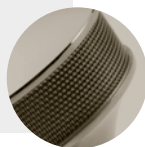
- 17307** Inset Coin Knob Mortise Set - PASSAGE
- 17308** Inset Coin Knob Mortise Set - PRIVACY

2-1/2" ROSE SETS

- 17312** Inset Coin Knob Set - PASSAGE
- 17313** Inset Coin Knob Set - PRIVACY
- 17314** Inset Coin Knob Set - SECTIONAL PRIVACY
- 17315** Inset Coin Knob Set - FULL DUMMY
- 17316** Inset Coin Knob Set - HALF DUMMY

- 17301** Inset Coin Knob Only 2-1/4"
- 17176** Square Rose Only 2"
- 17177** Square Rose Only 2-1/2"

INTERIOR KNOB SETS



2" ROSE SETS

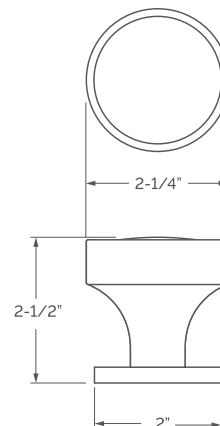
- 17322** Inset Cross Hatch Knob Set - PASSAGE
- 17323** Inset Cross Hatch Knob Set - PRIVACY
- 17324** Inset Cross Hatch Knob Set - SECTIONAL PRIVACY
- 17325** Inset Cross Hatch Knob Set - FULL DUMMY
- 17326** Inset Cross Hatch Knob Set - HALF DUMMY

- 17327** Inset Cross Hatch Knob Mortise Set - PASSAGE
- 17328** Inset Cross Hatch Knob Mortise Set - PRIVACY

2-1/2" ROSE SETS

- 17332** Inset Cross Hatch Knob Set - PASSAGE
- 17333** Inset Cross Hatch Knob Set - PRIVACY
- 17334** Inset Cross Hatch Knob Set - SECTIONAL PRIVACY
- 17335** Inset Cross Hatch Knob Set - FULL DUMMY
- 17336** Inset Cross Hatch Knob Set - HALF DUMMY

- 17320** Inset Cross Hatch Knob Only 2-1/4"
- 17176** Square Rose Only 2"
- 17177** Square Rose Only 2-1/2"



2" ROSE SETS

- 17342** Knob Set - PASSAGE
- 17343** Knob Set - PRIVACY
- 17344** Knob Set - SECTIONAL PRIVACY
- 17345** Knob Set - FULL DUMMY
- 17346** Knob Set - HALF DUMMY

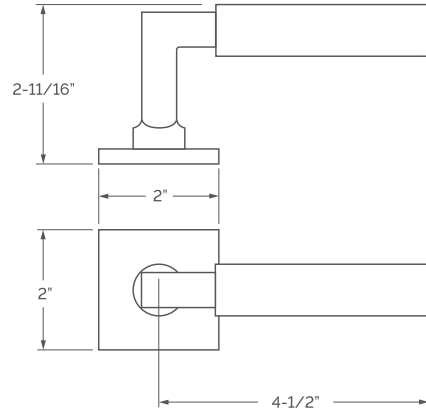
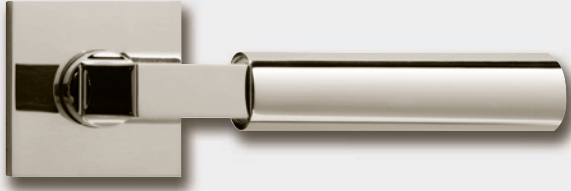
- 17347** Knob Mortise Set - PASSAGE
- 17348** Knob Mortise Set - PRIVACY

2-9/16" ROSE SETS

- 17352** Knob Set - PASSAGE
- 17353** Knob Set - PRIVACY
- 17354** Knob Set - SECTIONAL PRIVACY
- 17355** Knob Set - FULL DUMMY
- 17356** Knob Set - HALF DUMMY

- 17340** Knob Only 2-1/4"
- 17178** Round Rose Only 2"
- 17179** Round Rose Only 2-9/16"

INTERIOR LEVER SETS



2" ROSE SETS

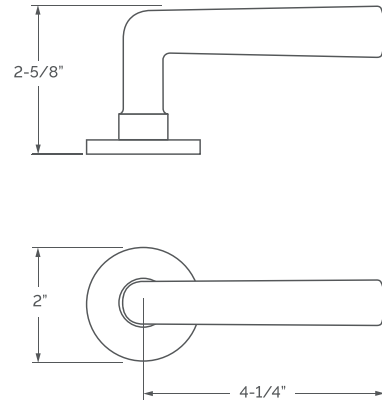
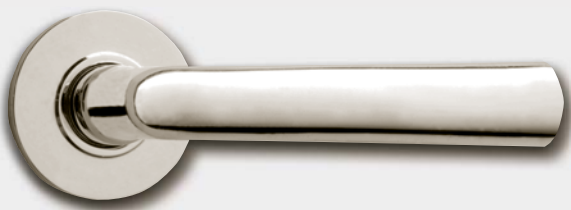
- 17132** Lever Set - PASSAGE
- 17133** Lever Set - PRIVACY
- 17134** Lever Set - SECTIONAL PRIVACY
- 17135** Lever Set - FULL DUMMY
- 17136** Lever Set - HALF DUMMY

- 17137** Lever Mortise Set - PASSAGE
- 17138** Lever Mortise Set - PRIVACY

2-1/2" ROSE SETS

- 17142** Lever Set - PASSAGE
- 17143** Lever Set - PRIVACY
- 17144** Lever Set - SECTIONAL PRIVACY
- 17145** Lever Set - FULL DUMMY
- 17146** Lever Set - HALF DUMMY

- 17173** Lever Only 4-1/2"
- 17176** Square Rose Only 2"
- 17177** Square Rose Only 2-1/2"



2" ROSE SETS

- 17202** Lever Set - PASSAGE
- 17203** Lever Set - PRIVACY
- 17204** Lever Set - SECTIONAL PRIVACY
- 17205** Lever Set - FULL DUMMY
- 17206** Lever Set - HALF DUMMY

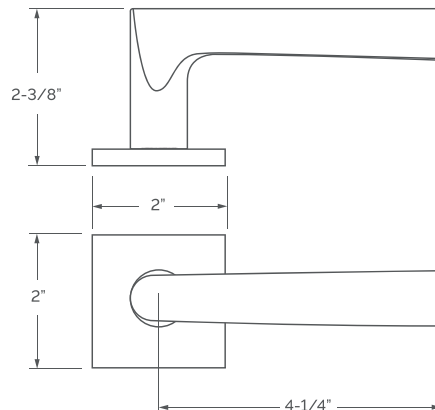
- 17207** Lever Mortise Set - PASSAGE
- 17208** Lever Mortise Set - PRIVACY

2-9/16" ROSE SETS

- 17212** Lever Set - PASSAGE
- 17213** Lever Set - PRIVACY
- 17214** Lever Set - SECTIONAL PRIVACY
- 17215** Lever Set - FULL DUMMY
- 17216** Lever Set - HALF DUMMY

- 17174** Lever Only 4-1/4"
- 17178** Round Rose Only 2"
- 17179** Round Rose Only 2-9/16"

INTERIOR LEVER SETS



2" ROSE SETS

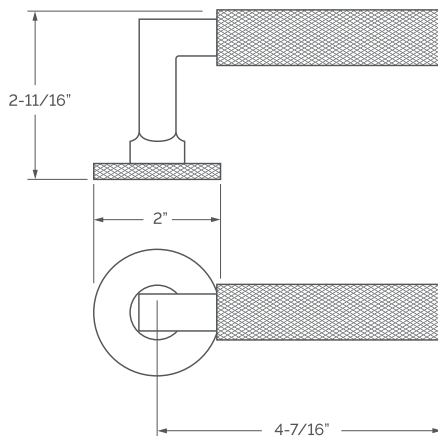
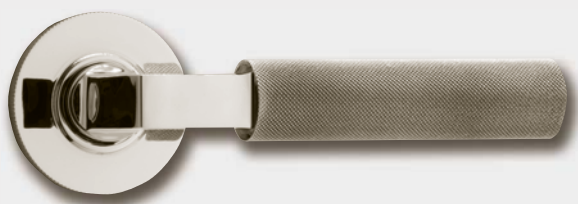
- 17222** Lever Set - PASSAGE
- 17223** Lever Set - PRIVACY
- 17224** Lever Set - SECTIONAL PRIVACY
- 17225** Lever Set - FULL DUMMY
- 17226** Lever Set - HALF DUMMY

- 17227** Lever Mortise Set - PASSAGE
- 17228** Lever Mortise Set - PRIVACY

2-1/2" ROSE SETS

- 17232** Lever Set - PASSAGE
- 17233** Lever Set - PRIVACY
- 17234** Lever Set - SECTIONAL PRIVACY
- 17235** Lever Set - FULL DUMMY
- 17236** Lever Set - HALF DUMMY

- 17175** Lever Only 4-1/4"
- 17176** Square Rose Only 2"
- 17177** Square Rose Only 2-1/2"



2" ROSE SETS

- 17362** Lever Set - PASSAGE
- 17363** Lever Set - PRIVACY
- 17364** Lever Set - SECTIONAL PRIVACY
- 17365** Lever Set - FULL DUMMY
- 17366** Lever Set - HALF DUMMY

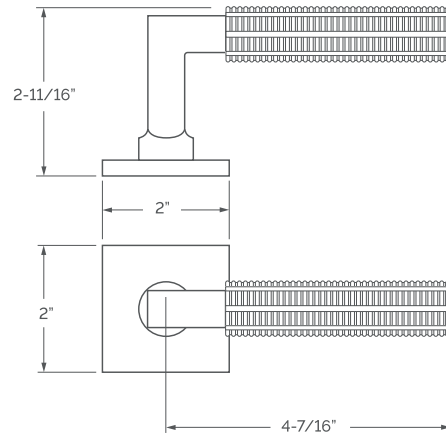
- 17367** Lever Mortise Set - PASSAGE
- 17368** Lever Mortise Set - PRIVACY

2-1/2" ROSE SETS

- 17372** Lever Set - PASSAGE
- 17373** Lever Set - PRIVACY
- 17374** Lever Set - SECTIONAL PRIVACY
- 17375** Lever Set - FULL DUMMY
- 17376** Lever Set - HALF DUMMY

- 17360** Lever Only 4-7/16"
- 17378** Diamond Rose Only 2"
- 17379** Diamond Rose Only 2-1/2"

INTERIOR LEVER SETS



2" ROSE SETS

- 17382** Lever Set - PASSAGE
- 17383** Lever Set - PRIVACY
- 17384** Lever Set - SECTIONAL PRIVACY
- 17385** Lever Set - FULL DUMMY
- 17386** Lever Set - HALF DUMMY

- 17387** Lever Mortise Set - PASSAGE
- 17388** Lever Mortise Set - PRIVACY

2-1/2" ROSE SETS

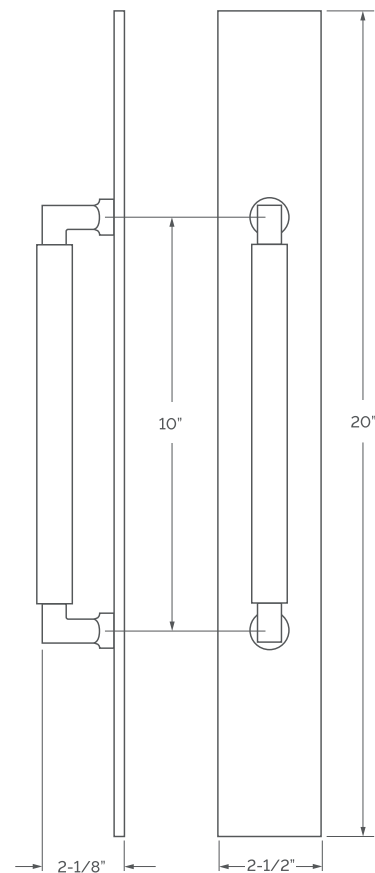
- 17392** Lever Set - PASSAGE
- 17393** Lever Set - PRIVACY
- 17394** Lever Set - SECTIONAL PRIVACY
- 17395** Lever Set - FULL DUMMY
- 17396** Lever Set - HALF DUMMY

- 17380** Lever Only 4-7/16"
- 17176** Square Rose Only 2"
- 17177** Square Rose Only 2-1/2"

REMEMBER

1. Specify pre-drilled adapter (#9749) for 2-1/8" pre-drilled doors, which requires the large rose.
2. Specify interior mortise lock for quality installations.
3. All knobs and levers are interchangeable.
4. FULL LIP strikes are standard. Specify SUB "T" strike, if required.
5. Standard backset is 2-3/8" for tubular. If required, specify 2-3/4".
Standard backset is 2-1/2" for mortise. If required, specify 2-3/4".
6. A door thickness greater than 1-3/4" will require a #9900 thick door kit for mortise application.
7. SLAB edge is standard. Specify COIN or CROSS HATCH edge detail if required.
8. Combination strike and faceplate available for sectional tubular privacy function.

PULLS, PUSH PLATES & PULL PLATES



APPLICATIONS

17089 Pull 10" c-c

17082 Pull w/ Rose (P) 17089 (R) 17176 2"

17083 Pull Plate 2-1/2" x 20" (P) 17089

17080 Push Plate 2-1/2" x 11"

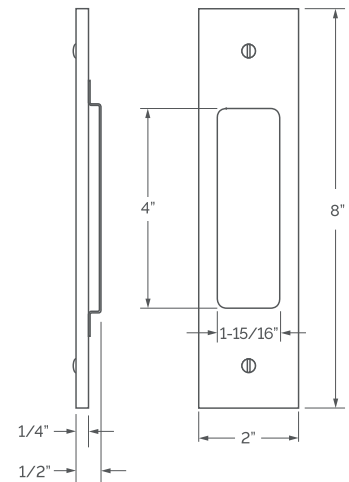
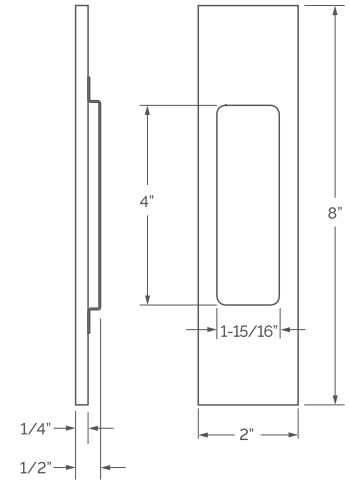
17081 Push Plate 2-1/2" x 20"

17090 Complete Set of Back-to-Back Pulls

REMEMBER

1. Back-to-back applications available for pulls and pull plates.
Specify #9958 for BTB and #9959 for Single Sided mounting.
2. Custom escutcheon, pull c-c and drilling available.
3. The pull is available in custom lengths up to 48" c-c.
4. SLAB edge is standard. Specify COIN or CROSS HATCH edge detail if required.

FLUSH PULLS



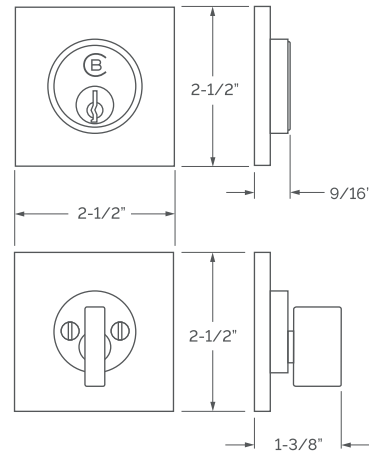
APPLICATIONS

- 17190** Flush Pull Only
- 17191** Flush Pull Set - PASSAGE w/ 9730
- 17192** Flush Pull Set - PASSAGE w/ Accurate 2000
- 17193** Flush Pull Set - PRIVACY w/ Accurate 2002
- 17194** Flush Pull Set - ENTRANCE w/ Accurate 2002

REMEMBER

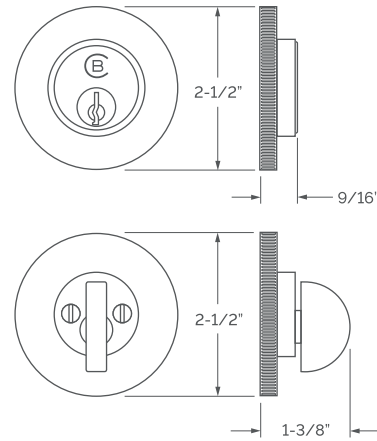
1. Standard backset is 2-1/2" for mortise. If required, specify 2-3/4" backset.
2. Verify jamb clearance for escutcheon projection.
3. Edge pulls available - Standard or Mortise.
4. If only one flush pull is ordered, surface mount screws are required.
5. Custom escutcheon and drilling available.
6. SLAB edge is standard. Specify COIN or CROSS HATCH edge detail if required.
7. Concealed undermount attachment is standard on exterior escutcheon.
Oval slot head machine screws (2/ea) are standard on interior escutcheon.

AUXILIARY DEADBOLTS



APPLICATIONS

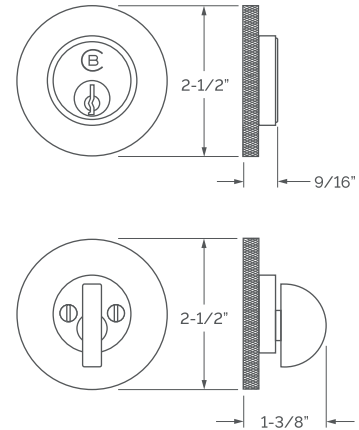
- 17150** Auxiliary Deadbolt Set (KEY x TP) 2"
- 17151** Auxiliary Deadbolt Set (KEY x KEY) 2"
- 17152** Auxiliary Deadbolt Set (KEY x TP) 2-1/2"
- 17153** Auxiliary Deadbolt Set (KEY x KEY) 2-1/2"



APPLICATIONS

- 17410** Coin Slab Auxiliary Deadbolt Set (KEY x TP) 2"
- 17411** Coin Slab Auxiliary Deadbolt Set (KEY x KEY) 2"
- 17412** Coin Slab Auxiliary Deadbolt Set (KEY x TP) 2-1/2"
- 17413** Coin Slab Auxiliary Deadbolt Set (KEY x KEY) 2-1/2"

AUXILIARY DEADBOLTS



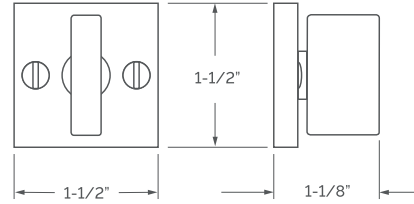
APPLICATIONS

- 17415** Cross Hatch Slab Auxiliary Deadbolt Set (KEY x TP) 2"
17416 Cross Hatch Slab Auxiliary Deadbolt Set (KEY x KEY) 2"
17417 Cross Hatch Slab Auxiliary Deadbolt Set (KEY x TP) 2-1/2"
17418 Cross Hatch Slab Auxiliary Deadbolt Set (KEY x KEY) 2-1/2"

REMEMBER

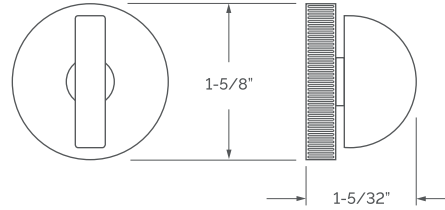
1. Should you require key alike, please specify.
2. Standard backset is 2-3/8". If required, specify 2-3/4".

MORTISE BOLTS



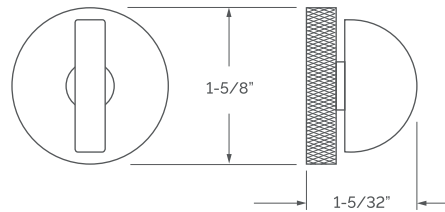
APPLICATIONS

- 17160** Complete Mortise Bolt Set
- 17161** Turnpiece and Plate w/ Mortise Bolt
- 17162** Turnpiece and Plate



APPLICATIONS

- 17400** Coin Slab Complete Mortise Bolt Set
- 17401** Coin Slab Turnpiece and Plate w/ Mortise Bolt
- 17402** Coin Slab Turnpiece and Plate



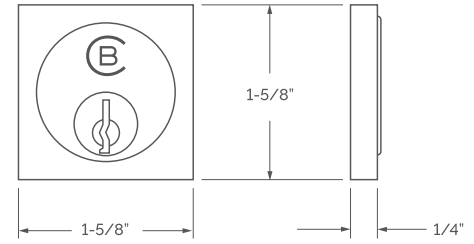
APPLICATIONS

- 17403** Cross Hatch Complete Mortise Bolt Set
- 17404** Cross Hatch Turnpiece and Plate w/ Mortise Bolt
- 17405** Cross Hatch Turnpiece and Plate

REMEMBER

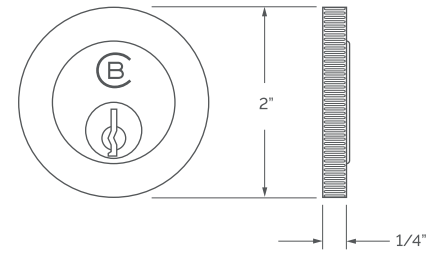
1. Standard backset is 2-3/8". If required specify 2-3/4" backset.

CYLINDER COLLARS



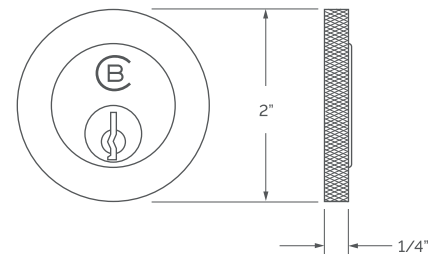
APPLICATIONS

17168 Cylinder Collar



APPLICATIONS

17408 Coin Slab Cylinder Collar



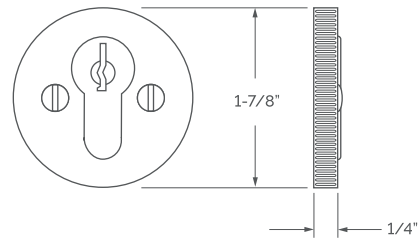
APPLICATIONS

17409 Cross Hatch Slab Cylinder Collar

REMEMBER

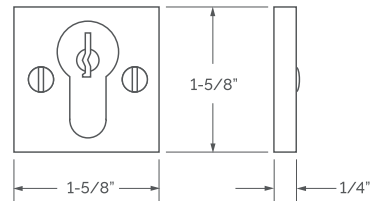
1. Cylinders order separate.

EURO CYLINDER COLLARS



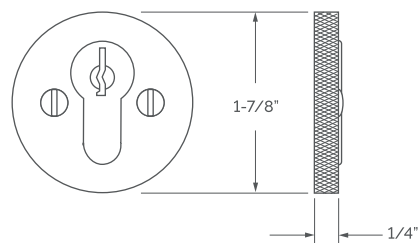
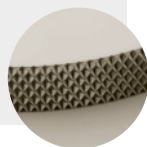
APPLICATIONS

17163 Coin Slab Euro Cylinder Collar



APPLICATIONS

17165 Square Slab Euro Cylinder Collar



APPLICATIONS

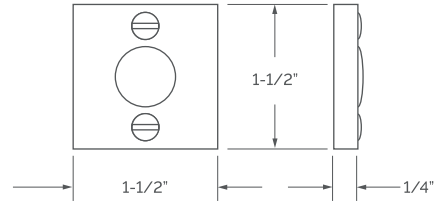
17167 Cross Hatch Slab Euro Cylinder Collar

REMEMBER

1. Cylinders order separate.

APRÈS

DOORBELL ESCUTCHEON



APPLICATIONS

17171 Doorbell Escutcheon

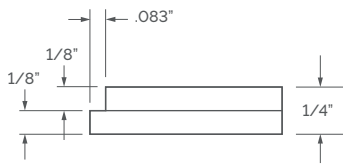
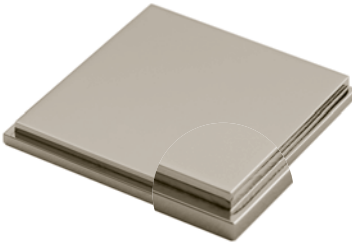
REMEMBER

1. Doorbell button NOT included.

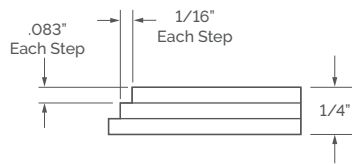
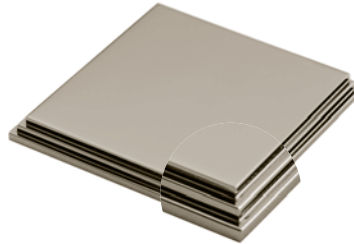


ONE STEP PROFILE

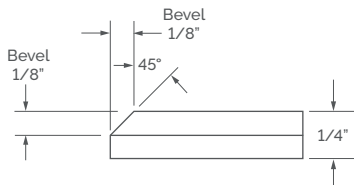
Standard



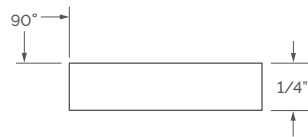
TWO STEP PROFILE



BEVEL



SLAB



REMEMBER

1. Custom escutcheon sizes are available.
2. Standard escutcheon thickness is 1/4" — alternate thickness available upon request.
3. Contact us to discuss custom edge details or profiles.

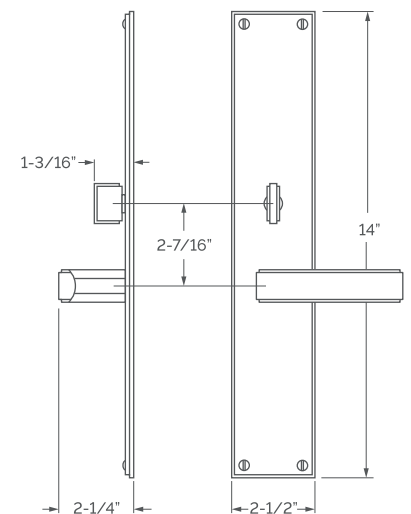
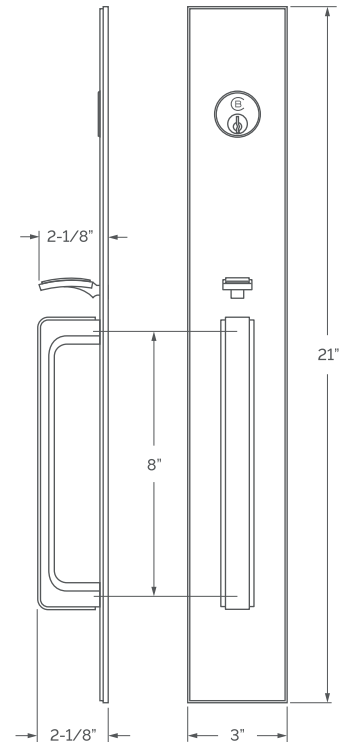
ENTRANCE HANDLE SETS



APPLICATIONS

- 7600** Entrance Handle Set - Lever
- 7602** Entrance Handle Set - T/P x T/P
- 7606** Entrance Handle Set - Lever - FULL DUMMY
- 7607** Entrance Handle Set - T/P x T/P - FULL DUMMY

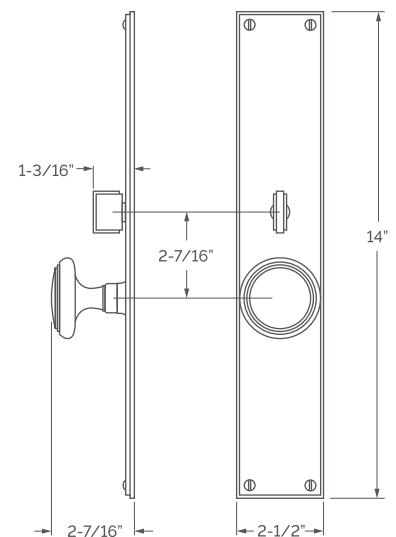
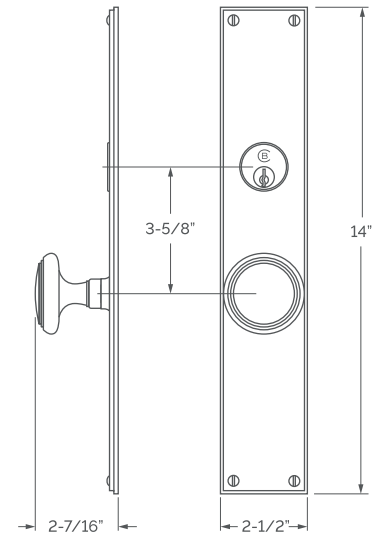
Above sets include 7773 Lever



REMEMBER

1. Standard mortise lock is 2-1/2" EE. Specify 2-3/4" if required.
2. All knobs and levers are interchangeable.
3. A door thickness greater than 1-3/4" will require a #9901 thick door kit.
4. Entrance handle sets are mortise lock only.
5. Custom escutcheon sizes and drilling available.
6. ONE STEP edge profile is standard. Specify TWO STEP, BEVEL, or SLAB edge profile if required.
7. Concealed undermount attachment is standard on exterior escutcheon.
Oval slot head wood screws (4/ea) are standard on interior escutcheon.

ENTRANCE KNOB SETS



APPLICATIONS

7610 Knob Mortise Entrance Set

7611 Knob Mortise Entrance Set - FULL DUMMY

7612 Knob Latch x Auxiliary Deadbolt Set

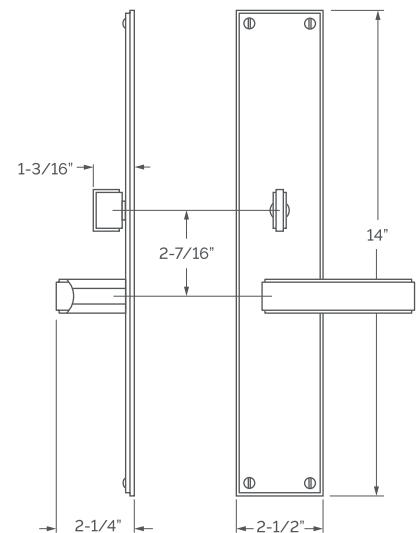
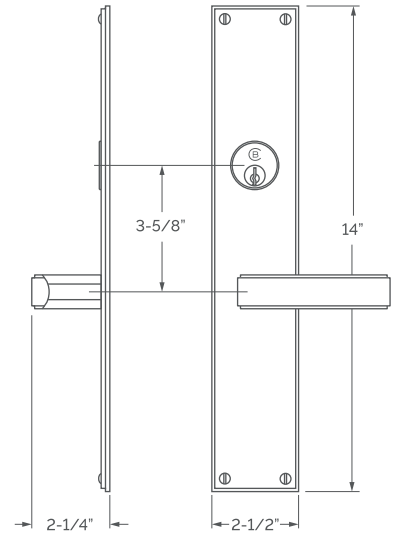
7613 Knob Latch x Auxiliary Deadbolt Set - FULL DUMMY

Above sets include 7765 Knob

REMEMBER

1. Standard mortise lock is 2-1/2" EE. Specify 2-3/4" if required.
2. Standard latch x auxiliary deadbolt: 5-1/2" c-c spacing and 2-3/8" backset. If required, specify 2-3/4" backset.
3. All knobs are interchangeable.
4. A door thickness greater than 1-3/4" will require a #9901 thick door kit for mortise application.
5. Custom escutcheon sizes and drilling available.
6. ONE STEP edge profile is standard. Specify TWO STEP, BEVEL, or SLAB edge profile if required.
7. Oval slot head wood screws (4/ea) are standard on the escutcheons.

ENTRANCE LEVER SETS



APPLICATIONS

7616 Lever Mortise Entrance Set

7617 Lever Mortise Entrance Set - FULL DUMMY

7618 Lever Latch x Auxiliary Deadbolt Set

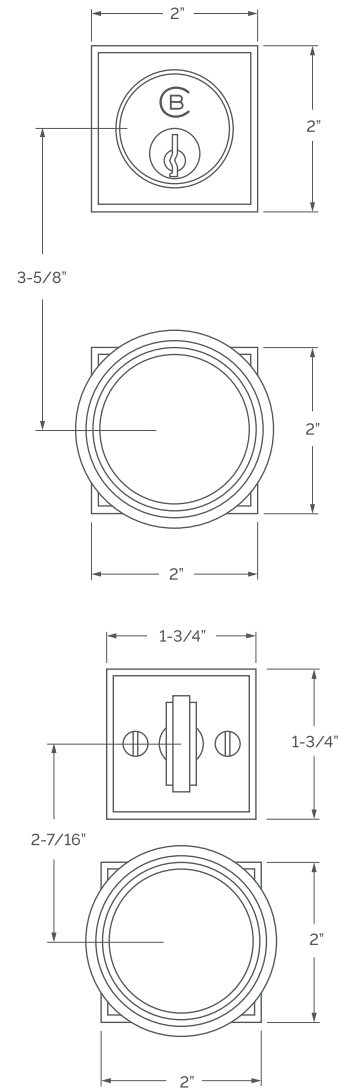
7619 Lever Latch x Auxiliary Deadbolt Set - FULL DUMMY

Above sets include 7773 Lever

REMEMBER

1. Standard mortise lock is 2-1/2" EE. Specify 2-3/4" if required.
2. Standard latch x auxiliary deadbolt: 5-1/2" c-c spacing and 2-3/8" backset. If required, specify 2-3/4" backset.
3. All levers are interchangeable.
4. A door thickness greater than 1-3/4" will require a #9901 thick door kit for mortise application.
5. Custom escutcheon sizes and drilling available.
6. ONE STEP edge profile is standard. Specify TWO STEP, BEVEL, or SLAB edge profile if required.
7. Oval slot head wood screws (4/ea) are standard on the escutcheons.

ENTRANCE KNOB SETS - SECTIONAL



APPLICATIONS

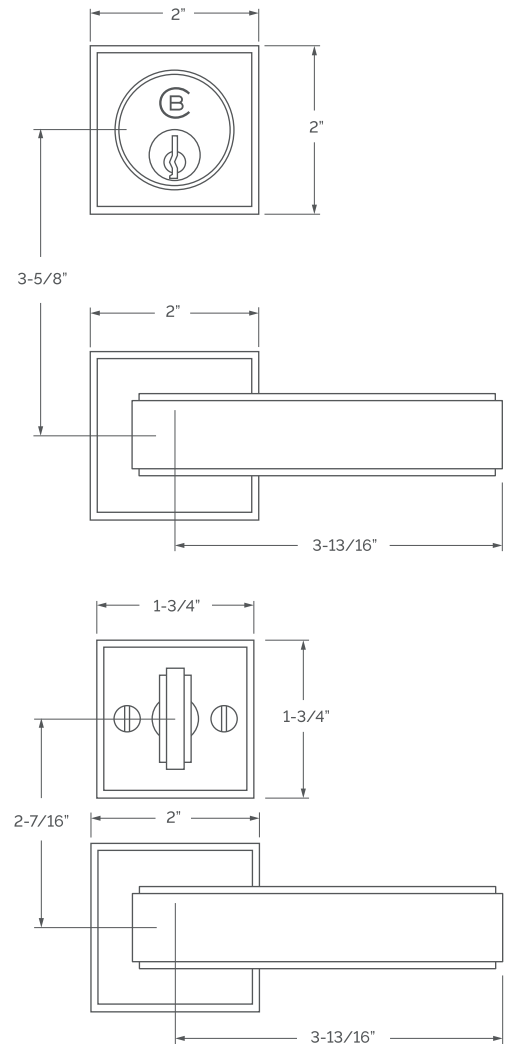
- 7403** Knob Mortise Entrance Sectional Set
- 7404** Knob Latch x Auxiliary Deadbolt Sectional Set
- 7405** Knob Sectional Set - FULL DUMMY

Above sets include 7765 Knob and 7778 Rose

REMEMBER

1. Standard mortise lock is 2-1/2" EE. Specify 2-3/4" if required.
2. Standard latch x auxiliary deadbolt: 5-1/2" c-c spacing and 2-3/8" backset. If required, specify 2-3/4" backset.
3. All knobs are interchangeable.
4. A door thickness greater than 1-3/4" will require a #9901 thick door kit for mortise application.
5. ONE STEP edge profile is standard. Specify TWO STEP, BEVEL, or SLAB edge profile if required.
6. Undermount is standard. Surface mount oval slot head screws available.

ENTRANCE LEVER SETS - SECTIONAL



APPLICATIONS

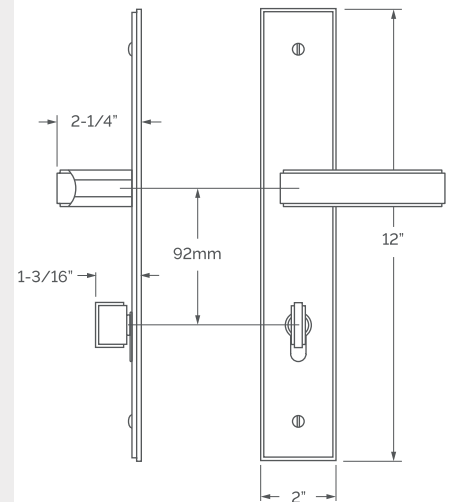
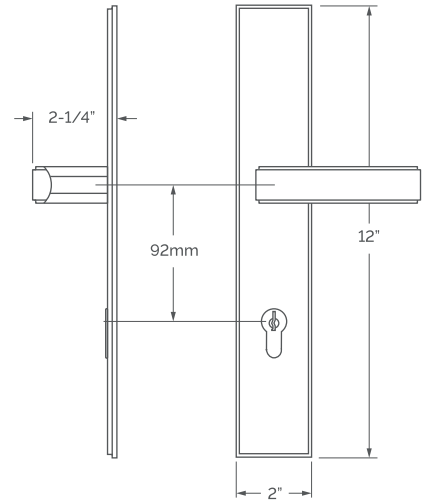
- 7406** Lever Mortise Entrance Sectional Set
- 7407** Lever Latch x Auxiliary Deadbolt Sectional Set
- 7408** Lever Sectional Set - FULL DUMMY

Above sets include 7773 Lever and 7778 Rose

REMEMBER

1. Standard mortise lock is 2-1/2" EE. Specify 2-3/4" if required.
2. Standard latch x auxiliary deadbolt: 5-1/2" c-c spacing and 2-3/8" backset. If required, specify 2-3/4" backset.
3. All levers are interchangeable.
4. A door thickness greater than 1-3/4" will require a #9901 thick door kit for mortise application.
5. ONE STEP edge profile is standard. Specify TWO STEP, BEVEL, or SLAB edge profile if required.
6. Undermount is standard. Surface mount oval slot head screws available.

MULTI POINT SETS - EURO



2" x 12" MULTI POINT SETS

- 7650** Lever Euro M/P Set - ENTRANCE
- 7651** Lever Euro M/P Set - FULL DUMMY
- 7652** Lever Euro M/P Set - ACTIVE DUMMY
- 7653** Lever Euro M/P Set - PATIO

Above sets include 7773 Lever

2-1/2" x 14" MULTI POINT SETS

- 7656** Lever Euro M/P Set - ENTRANCE
- 7657** Lever Euro M/P Set - FULL DUMMY
- 7658** Lever Euro M/P Set - ACTIVE DUMMY
- 7659** Lever Euro M/P Set - PATIO

Above sets include 7773 Lever

REMEMBER

1. Complete our M/P Check Sheet (Form 500).
2. Standard euro profile application is LEVER HIGH – 92mm (hub-cylinder spacing).
3. All levers are interchangeable.
4. Door thickness greater than 1-3/4" will require longer euro cylinders and/or offset cylinders. 62mm KxT/P (31mm x 31mm) and 31mm Half Cylinder is standard for 1-3/4" doors.
5. Cylinders INCLUDED with all applications (collection turnpiece attached).
6. Strike not included.
7. Custom escutcheons size and drilling available.
8. ONE STEP edge profile is standard. Specify TWO STEP, BEVEL, or SLAB edge profile if required.
9. Euro offset cylinders and custom lengths available upon request.

MULTI POINT SETS - EURO SECTIONAL



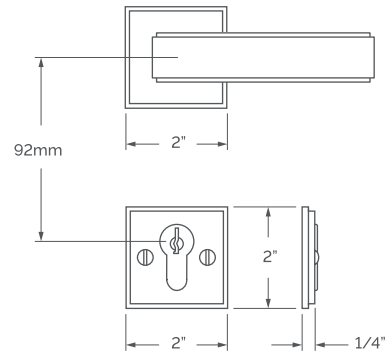
APPLICATIONS

- 7450** Lever Euro M/P Sectional Set - ENTRANCE
- 7451** Lever Euro M/P Sectional Set - FULL DUMMY
- 7452** Lever Euro M/P Sectional Set - ACTIVE DUMMY
- 7453** Lever Euro M/P Sectional Set - PATIO

Above sets include 7773 Lever

- 7460** Lever Euro M/P Sectional Set - ENTRANCE
- 7461** Lever Euro M/P Sectional Set - FULL DUMMY
- 7462** Lever Euro M/P Sectional Set - ACTIVE DUMMY
- 7463** Lever Euro M/P Sectional Set - PATIO

Above sets include 7573 Lever



REMEMBER

1. VERIFY door prep will be fully covered by sectional trim.
2. Standard euro profile application is LEVER HIGH – 92mm (hub-cylinder spacing).
3. Door thickness greater than 1-3/4" will require longer euro cylinders and/or offset cylinders. 62mm KxT/P (31mm x 31mm) and 31mm Half Cylinder is standard for 1-3/4" doors.
4. Cylinders INCLUDED with all applications (collection turnpiece attached).
5. Custom rose and cylinder collar sizes available.
6. ONE STEP edge profile is standard. Specify TWO STEP, BEVEL, or SLAB edge profile if required.
7. Strike not included.
8. Euro offset cylinders and custom lengths available upon request.

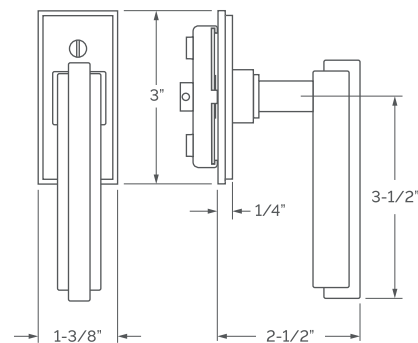
MULTI POINT WINDOW OPERATOR



APPLICATIONS

- 7455** M/P Window Trim Set

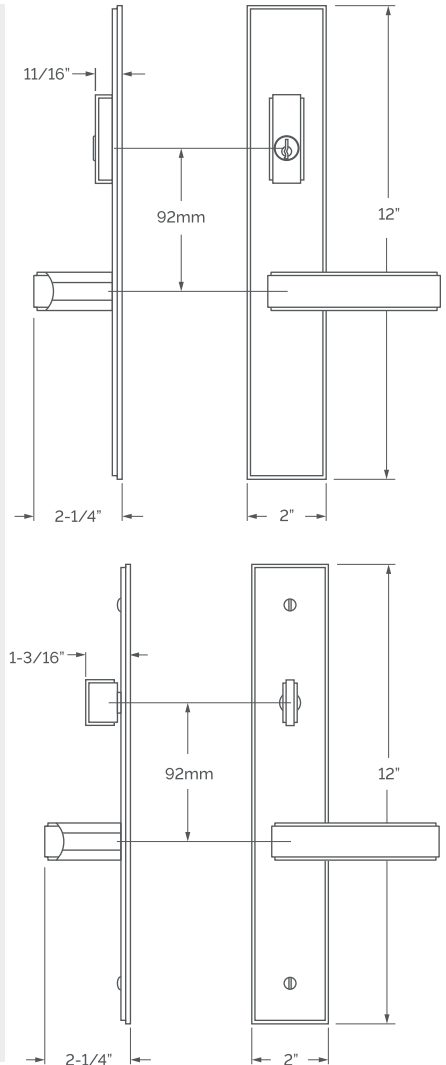
Above sets include 4582 Lever



REMEMBER

1. 7mm spindle is standard...must supply required projection from underside of escutcheon.
2. 43mm screw center to center – M5 oval slot head screws are standard.
3. Escutcheon width is a critical dimension, please verify.
4. Includes detent mechanism.

MULTI POINT SETS - AMERICAN



2" x 12" MULTI POINT SETS

- 7664** Lever Amer M/P Set - ENTRANCE
- 7665** Lever Amer M/P Set - FULL DUMMY
- 7666** Lever Amer M/P Set - ACTIVE DUMMY
- 7667** Lever Amer M/P Set - PATIO

Above sets include 7773 Lever

2-1/2" x 14" MULTI POINT SETS

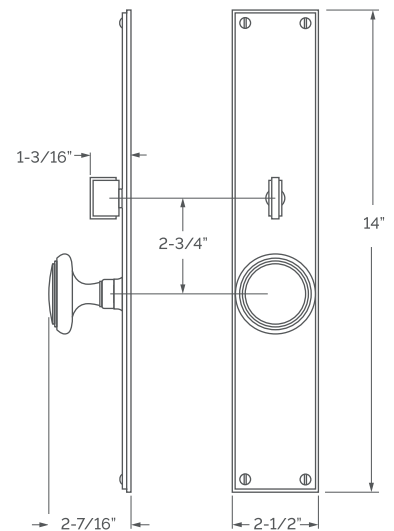
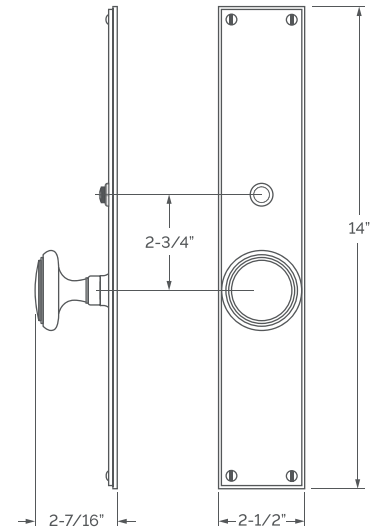
- 7670** Lever Amer M/P Set - ENTRANCE
- 7671** Lever Amer M/P Set - FULL DUMMY
- 7672** Lever Amer M/P Set - ACTIVE DUMMY
- 7673** Lever Amer M/P Set - PATIO

Above sets include 7773 Lever

REMEMBER

1. Complete our M/P Check Sheet (Form 500).
2. Standard M/P American cylinder applications: LEVER LOW- 92mm spacing.
3. Specify LEVER HIGH or custom c-c spacing if required.
4. All levers are interchangeable.
5. American cylinder included with Entrance function only.
6. Strike not included.
7. Custom escutcheons size and drilling available.
8. ONE STEP edge profile is standard. Specify TWO STEP, BEVEL, or SLAB edge profile if required.

INTERIOR ESCUTCHEON SETS - KNOB



2" x 12" ESCUTCHEON SETS

- 7620** Knob Escutcheon Set - PASSAGE
- 7622** Knob Escutcheon Set - LATCH x M/B
- 7623** Knob Escutcheon Set - FULL DUMMY
- 7624** Knob Escutcheon Set - HALF DUMMY

Above sets include 7765 Knob

2-1/2" x 14" ESCUTCHEON SETS

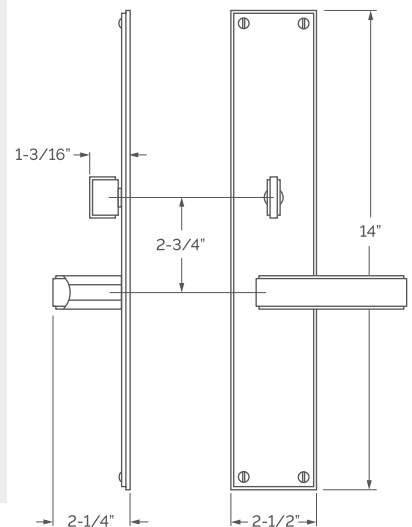
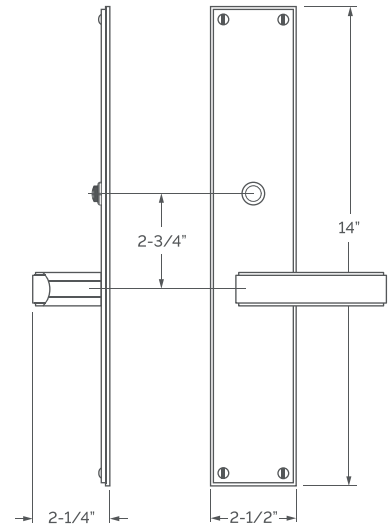
- 7634** Knob Escutcheon Set - PASSAGE
- 7635** Knob Escutcheon Set - PRIVACY
- 7636** Knob Escutcheon Set - LATCH x M/B
- 7637** Knob Escutcheon Set - FULL DUMMY
- 7638** Knob Escutcheon Set - HALF DUMMY

Above sets include 7765 Knob

REMEMBER

1. Consider utilizing an interior mortise lock for quality installations.
2. All knobs and levers are interchangeable.
3. FULL LIP strikes are standard. Specify SUB "T" strike, if required.
4. Standard backset is 2-3/8" for tubular. If required, specify 2-3/4"
5. A door thickness greater than 1-3/4" will require a #9900 thick door kit for mortise application.

INTERIOR ESCUTCHEON SETS - LEVER



2" x 12" ESCUTCHEON SETS

- 7627** Lever Escutcheon Set - PASSAGE
- 7629** Lever Escutcheon Set - LATCH x M/B
- 7630** Lever Escutcheon Set - FULL DUMMY
- 7631** Lever Escutcheon Set - HALF DUMMY

Above sets include 7773 Lever

2-1/2" x 14" ESCUTCHEON SETS

- 7642** Lever Escutcheon Set - PASSAGE
- 7643** Lever Escutcheon Set - PRIVACY
- 7644** Lever Escutcheon Set - LATCH x M/B
- 7645** Lever Escutcheon Set - FULL DUMMY
- 7646** Lever Escutcheon Set - HALF DUMMY

Above sets include 7773 Lever

REMEMBER

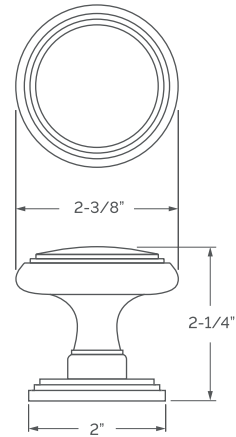
6. Custom escutcheon sizes and drilling available.
7. ONE STEP edge profile is standard. Specify TWO STEP, BEVEL, or SLAB edge profile if required.
8. Combination strike and faceplate available for latch x mortise bolt function.
9. Oval slot head wood screws (4/ea) are standard on the escutcheons.

INTERIOR KNOB SETS



2" ROSE SETS

- 7700** Knob Set - PASSAGE
- 7708** Knob Set - PRIVACY
- 7716** Knob Set - FULL DUMMY
- 7724** Knob Set - HALF DUMMY



2-5/8" ROSE SETS

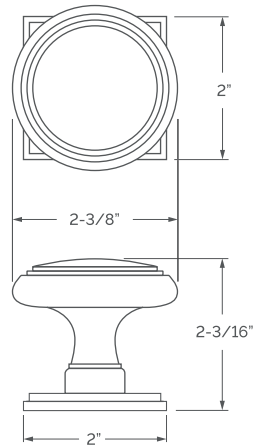
- 7701** Knob Set - PASSAGE
- 7709** Knob Set - PRIVACY
- 7717** Knob Set - FULL DUMMY
- 7725** Knob Set - HALF DUMMY

- 7765** Knob Only 2-3/8"
- 7776** Round Rose Only 2"
- 7777** Round Rose Only 2-5/8"



2" ROSE SETS

- 7702** Knob Set - PASSAGE
- 7710** Knob Set - PRIVACY
- 7718** Knob Set - FULL DUMMY
- 7726** Knob Set - HALF DUMMY

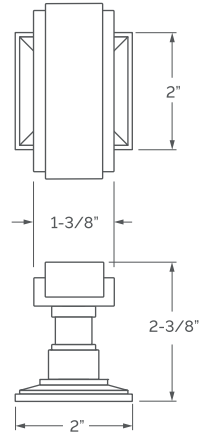


2-5/8" ROSE SETS

- 7703** Knob Set - PASSAGE
- 7711** Knob Set - PRIVACY
- 7719** Knob Set - FULL DUMMY
- 7727** Knob Set - HALF DUMMY

- 7765** Knob Only 2-3/8"
- 7778** Square Rose Only 2"
- 7779** Square Rose Only 2-5/8"

INTERIOR KNOB SETS



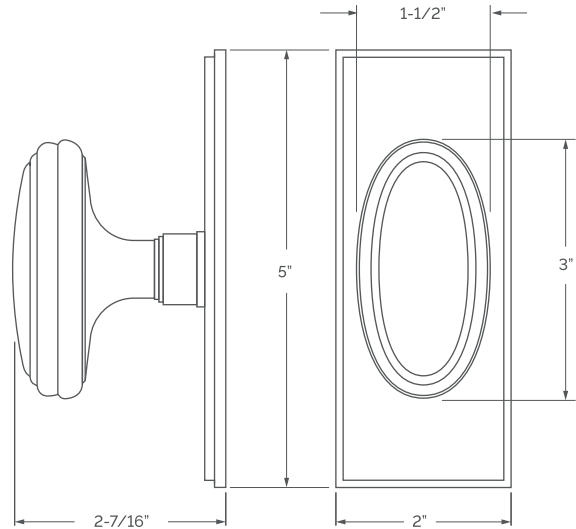
2" ROSE SETS

- 7500** Knob Set - PASSAGE
- 7508** Knob Set - PRIVACY
- 7516** Knob Set - FULL DUMMY
- 7524** Knob Set - HALF DUMMY

2-5/8" ROSE SETS

- 7501** Knob Set - PASSAGE
- 7509** Knob Set - PRIVACY
- 7517** Knob Set - FULL DUMMY
- 7525** Knob Set - HALF DUMMY

- 7565** Knob Only 1-3/8" x 3"
- 7576** Pyramid Rose Only 2"
- 7577** Pyramid Rose Only 2-5/8"

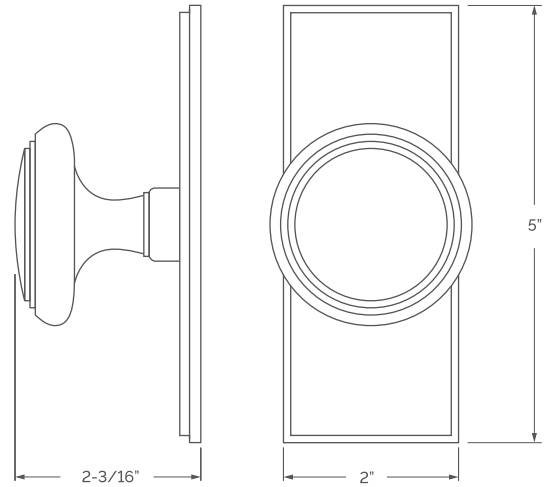


2" x 5" ROSE SETS

- 7707** Oval Knob Set - PASSAGE
- 7715** Oval Knob Set - PRIVACY
- 7723** Oval Knob Set - FULL DUMMY
- 7731** Oval Knob Set - HALF DUMMY

- 7766** Oval Knob Only 1-1/2" x 3"
- 7782** Rose Only 2" x 5"

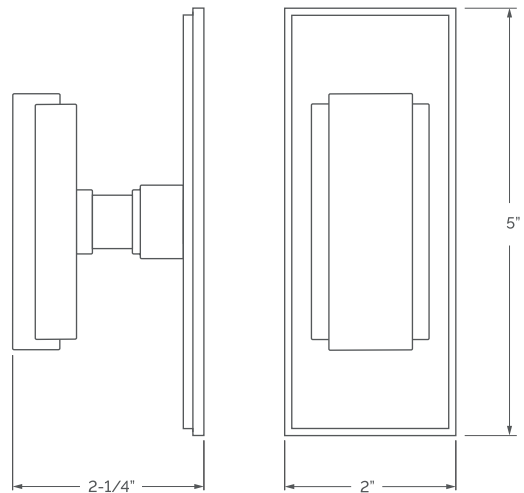
INTERIOR KNOB SETS



2" x 5" ROSE SETS

- 7705** Knob Set - PASSAGE
- 7713** Knob Set - PRIVACY
- 7721** Knob Set - FULL DUMMY
- 7729** Knob Set - HALF DUMMY

- 7765** Knob Only 2-3/8"
- 7782** Rose Only 2" x 5"

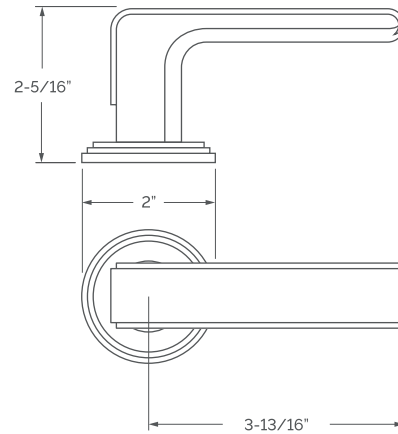


2" x 5" ROSE SETS

- 7502** Knob Set - PASSAGE
- 7510** Knob Set - PRIVACY
- 7518** Knob Set - FULL DUMMY
- 7526** Knob Set - HALF DUMMY

- 7565** Knob Only 1-3/8" x 3"
- 7782** Rose Only 2" x 5"

INTERIOR LEVER SETS



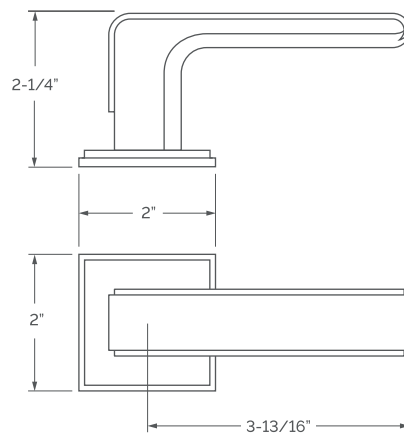
2" ROSE SETS

- 7732 Lever Set - PASSAGE
- 7740 Lever Set - PRIVACY
- 7748 Lever Set - FULL DUMMY
- 7756 Lever Set - HALF DUMMY

2-5/8" ROSE SETS

- 7733 Lever Set - PASSAGE
- 7741 Lever Set - PRIVACY
- 7749 Lever Set - FULL DUMMY
- 7757 Lever Set - HALF DUMMY

- 7773 Lever Only 3-13/16"
- 7776 Round Rose Only 2"
- 7777 Round Rose Only 2-5/8"



2" ROSE SETS

- 7734 Lever Set - PASSAGE
- 7742 Lever Set - PRIVACY
- 7750 Lever Set - FULL DUMMY
- 7758 Lever Set - HALF DUMMY

2-5/8" ROSE SETS

- 7735 Lever Set - PASSAGE
- 7743 Lever Set - PRIVACY
- 7751 Lever Set - FULL DUMMY
- 7759 Lever Set - HALF DUMMY

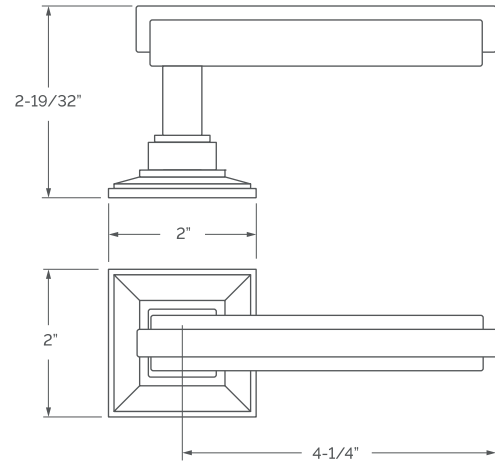
- 7773 Lever Only 3-3/16"
- 7778 Square Rose Only 2"
- 7779 Square Rose Only 2-5/8"

INTERIOR LEVER SETS



2" ROSE SETS

- 7533** Lever Set - PASSAGE
- 7541** Lever Set - PRIVACY
- 7549** Lever Set - FULL DUMMY
- 7557** Lever Set - HALF DUMMY



2-5/8" ROSE SETS

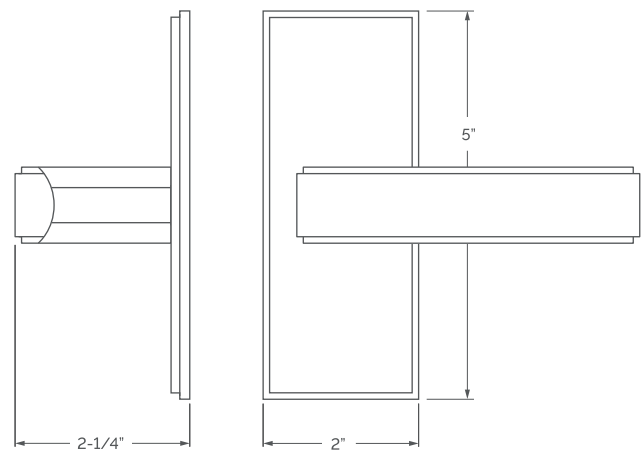
- 7534** Lever Set - PASSAGE
- 7542** Lever Set - PRIVACY
- 7550** Lever Set - FULL DUMMY
- 7558** Lever Set - HALF DUMMY

- 7573** Lever Only 4-1/4"
- 7576** Pyramid Rose Only 2"
- 7577** Pyramid Rose Only 2-5/8"



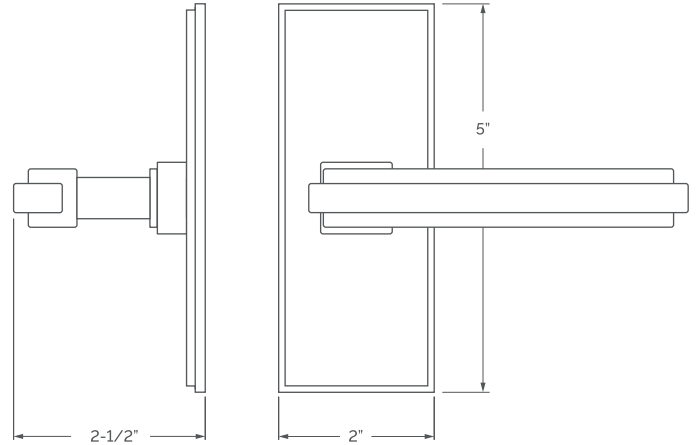
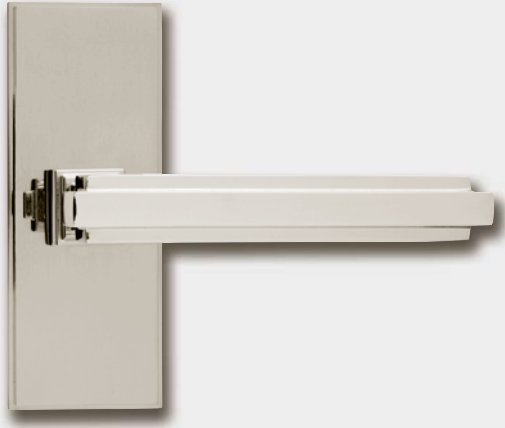
2" x 5" ROSE SETS

- 7737** Lever Set - PASSAGE
- 7745** Lever Set - PRIVACY
- 7753** Lever Set - FULL DUMMY
- 7761** Lever Set - HALF DUMMY



- 7773** Lever Only 3-13/16"
- 7782** Rose Only 2" x 5"

INTERIOR LEVER SETS



2" x 5" ROSE SETS

7535 Lever Set - PASSAGE

7543 Lever Set - PRIVACY

7551 Lever Set - FULL DUMMY

7559 Lever Set - HALF DUMMY

7573 Lever Only 4-1/4"

7782 Rose Only 2" x 5"

REMEMBER

1. Specify pre-drilled adapter (#9749) for 2-1/8" pre-drilled doors, which requires the large rose.
2. Consider utilizing an interior mortise lock for quality installations.
3. All knobs and levers are interchangeable.
4. FULL LIP strikes are standard. Specify SUB "T" strike, if required.
5. Standard backset is 2-3/8" for tubular. If required, specify 2-3/4".
6. ONE STEP edge profile is standard. Specify TWO STEP, BEVEL, or SLAB edge profile if required.

PULLS, PUSH PLATES & PULL PLATES



APPLICATIONS

7689 Pull 8" c-c

7690 Pull 14" c-c

7684 Pull w/ Rose (P) 7689 (R) 7778 2"

7685 Pull Plate 2-1/2" x 14" (P) 7689

7686 Pull Plate 3" x 21" (P) 7689

7687 Pull Plate 3" x 21" (P) 7690

7681 Push Plate 2" x 12"

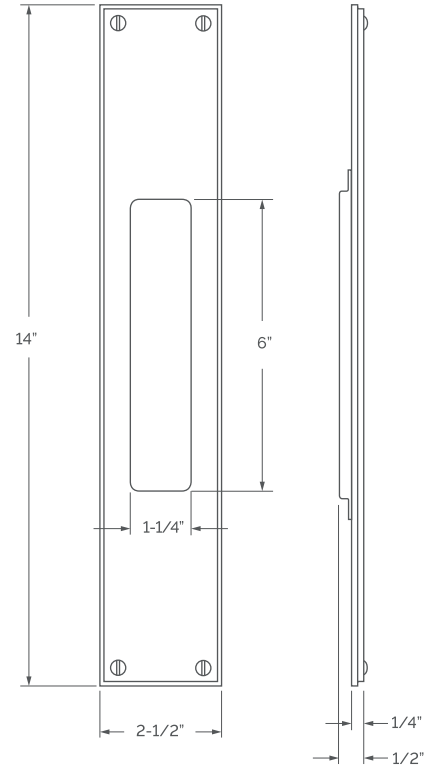
7682 Push Plate 2-1/2" x 14"

7683 Push Plate 3" x 21"

REMEMBER

1. Back-to-back applications available for pulls and pull plates. Specify #9958 for BTB and #9959 for Single Sided mounting.
2. Custom escutcheon sizes and drilling available.
3. ONE STEP edge profile is standard. Specify TWO STEP, BEVEL, or SLAB edge profile if required.

FLUSH PULLS



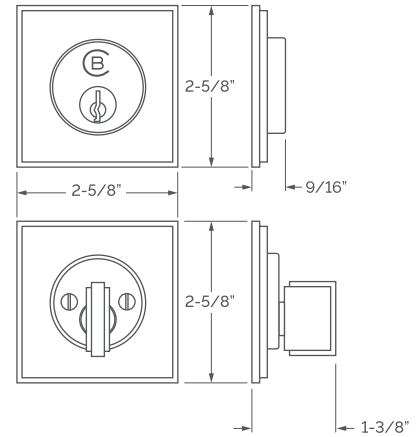
APPLICATIONS

- 7692** Flush Pull Only
- 7693** Flush Pull w/ Turnpiece
- 7694** Flush Pull w/ Cylinder
- 7591** Flush Pull Set - PASSAGE w/ 9730
- 7592** Flush Pull Set - PASSAGE w/ Accurate 2000
- 7593** Flush Pull Set - PRIVACY w/ Accurate 2002

REMEMBER

1. Standard backset is 2-1/2" for mortise. If required, specify 2-3/4" backset.
2. Verify jamb clearance for escutcheon projection.
3. Edge pulls available - Standard or Mortise.
4. Custom escutcheon sizes and drilling available.
5. ONE STEP edge profile is standard. Specify TWO STEP, BEVEL, or SLAB edge profile if required.
6. Oval slot head wood screws (4/ea) are standard on the escutcheons.

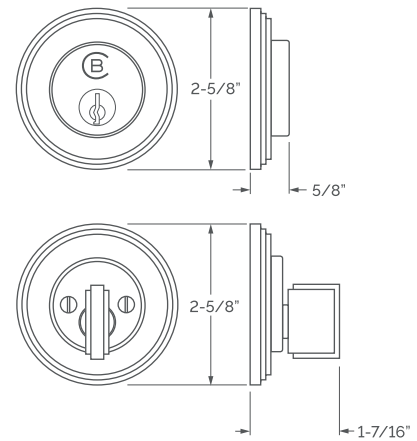
AUXILIARY DEADBOLTS



APPLICATIONS

- 7783** Auxiliary Deadbolt Set (KEY x TP) 2"
- 7784** Auxiliary Deadbolt Set (KEY x KEY) 2"

- 7786** Auxiliary Deadbolt Set (KEY x TP) 2-5/8"
- 7787** Auxiliary Deadbolt Set (KEY x KEY) 2-5/8"

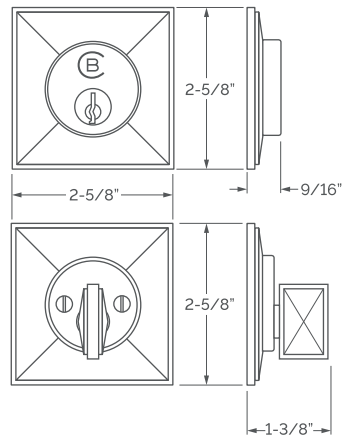


APPLICATIONS

- 7788** Auxiliary Deadbolt Set (KEY x TP) 2"
- 7789** Auxiliary Deadbolt Set (KEY x KEY) 2"

- 7791** Auxiliary Deadbolt Set (KEY x TP) 2-5/8"
- 7792** Auxiliary Deadbolt Set (KEY x KEY) 2-5/8"

AUXILIARY DEADBOLTS



APPLICATIONS

7583 Auxiliary Deadbolt Set (KEY x TP) 2"

7584 Auxiliary Deadbolt Set (KEY x KEY) 2"

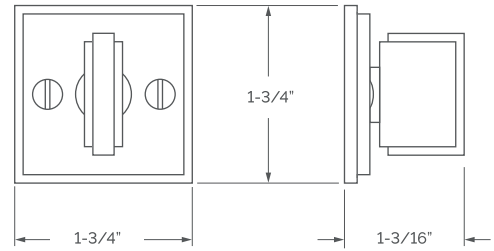
7586 Auxiliary Deadbolt Set (KEY x TP) 2-5/8"

7587 Auxiliary Deadbolt Set (KEY x KEY) 2-5/8"

REMEMBER

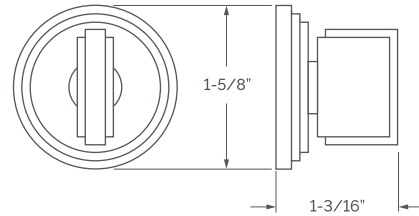
1. Should you require key alike, please specify.
2. Standard backset is 2-3/8". If required, specify 2-3/4".

MORTISE BOLTS



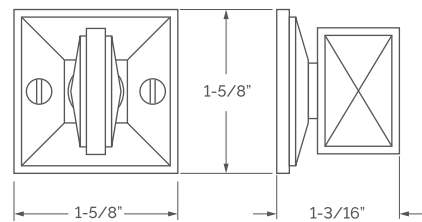
APPLICATIONS

- 7794** Complete Mortise Bolt Set
- 7795** Turnpiece and Plate w/ Mortise Bolt
- 7796** Turnpiece and Plate



APPLICATIONS

- 7597** Complete Mortise Bolt Set
- 7598** Turnpiece and Plate w/ Mortise Bolt
- 7599** Turnpiece and Plate



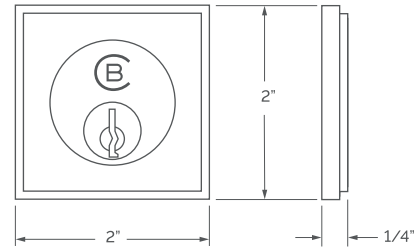
APPLICATIONS

- 7594** Complete Mortise Bolt Set
- 7595** Turnpiece and Plate w/ Mortise Bolt
- 7596** Turnpiece and Plate

REMEMBER

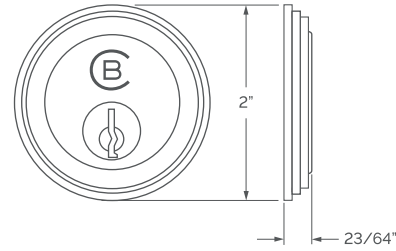
1. Standard backset is 2-3/8". If required specify 2-3/4" backset.

CYLINDER COLLARS



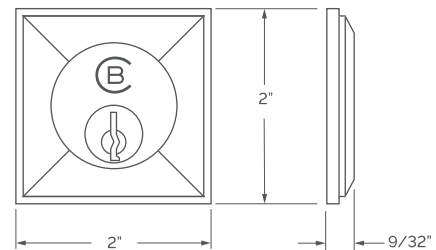
APPLICATIONS

9934 Square Cylinder Collar



APPLICATIONS

9933 Round Cylinder Collar



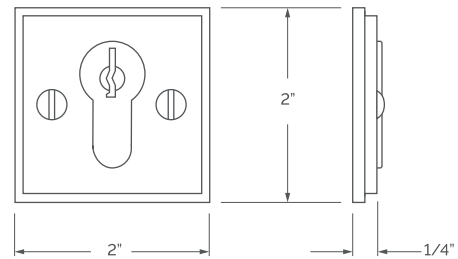
APPLICATIONS

9932 Pyramid Cylinder Collar

REMEMBER

1. Cylinders order separate.

EURO CYLINDER COLLAR



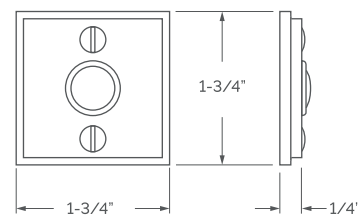
APPLICATIONS

9935 Square Euro Cylinder Collar

REMEMBER

1. Cylinders order separate.

DOORBELL ESCUTCHEON



APPLICATIONS

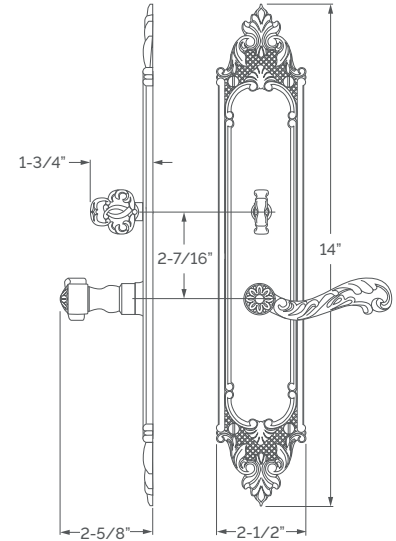
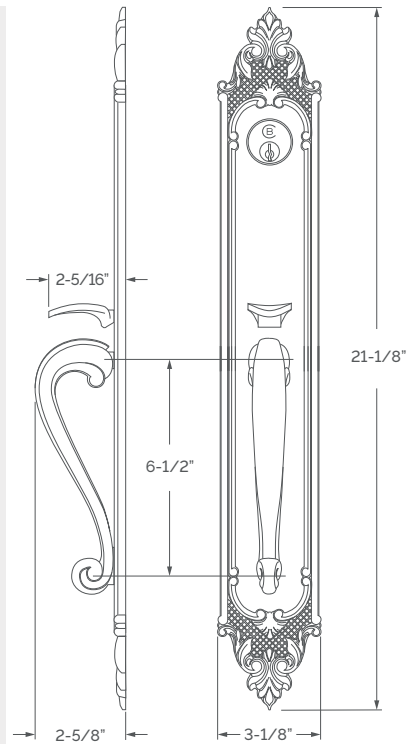
7799 Doorbell Escutcheon

REMEMBER

1. Doorbell button NOT included.
2. ONE STEP edge profile is standard. Specify TWO STEP, BEVEL or SLAB edge profile if required.



ENTRANCE HANDLE SETS



APPLICATIONS

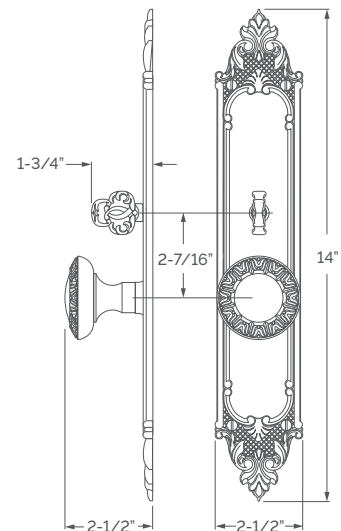
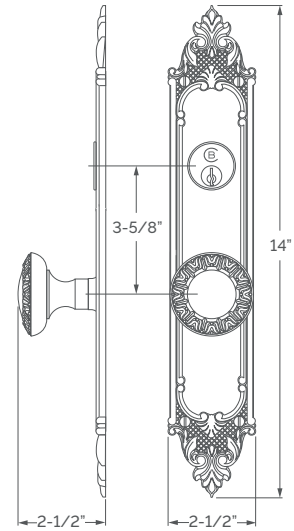
- 8400** Entrance Handle Set - Lever
- 8402** Entrance Handle Set - T/P x T/P
- 8406** Entrance Handle Set - Lever - FULL DUMMY
- 8407** Entrance Handle Set - T/P x T/P - FULL DUMMY

Above sets include 8557 Lever

REMEMBER

1. Standard mortise lock is 2-1/2" EE. Specify 2-3/4" if required.
2. All knobs and levers are interchangeable.
3. A door thickness greater than 1-3/4" will require a #9901 thick door kit.
4. Entrance handle sets are mortise lock only.
5. Custom drilling available.
6. Concealed undermount attachment is standard on exterior escutcheon. Oval slot head wood screws (4/ea) are standard on interior escutcheon.

ENTRANCE KNOB SETS



APPLICATIONS

8410 Knob Mortise Entrance Set

8411 Knob Mortise Entrance Set - FULL DUMMY

8412 Knob Latch x Auxiliary Deadbolt Set

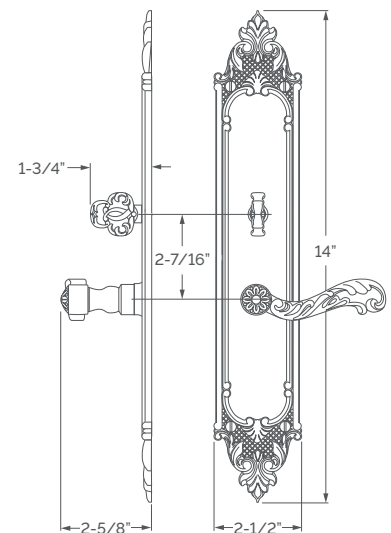
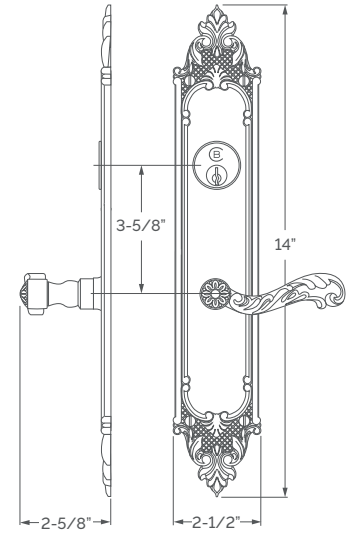
8413 Knob Latch x Auxiliary Deadbolt Set - FULL DUMMY

Above sets include 8550 Knob

REMEMBER

1. Standard mortise lock is 2-1/2" EE. Specify 2-3/4" if required.
2. Standard latch x auxiliary deadbolt: 5-1/2" c-c spacing and 2-3/8" backset. If required, specify 2-3/4" backset.
3. All knobs are interchangeable.
4. A door thickness greater than 1-3/4" will require a #9901 thick door kit for mortise application.
5. Custom drilling available.
6. Oval slot head wood screws (4/ea) are standard on the escutcheons.

ENTRANCE LEVER SETS



APPLICATIONS

8420 Lever Mortise Entrance Set

8421 Lever Mortise Entrance Set - FULL DUMMY

8422 Lever Latch x Auxiliary Deadbolt Set

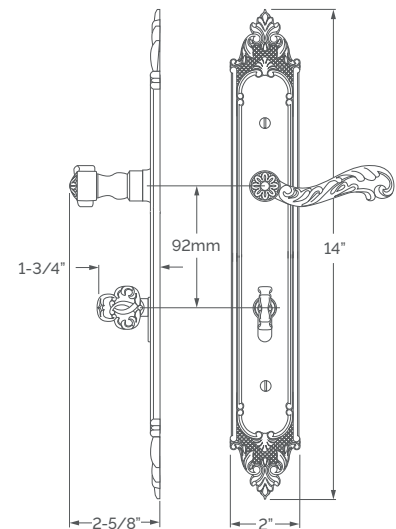
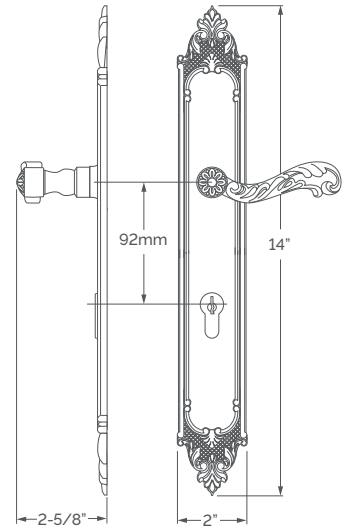
8423 Lever Latch x Auxiliary Deadbolt Set - FULL DUMMY

Above sets include 8557 Lever

REMEMBER

1. Standard mortise lock is 2-1/2" EE. Specify 2-3/4" if required.
2. Standard latch x auxiliary deadbolt: 5-1/2" c-c spacing and 2-3/8" backset. If required, specify 2-3/4" backset.
3. All levers are interchangeable.
4. A door thickness greater than 1-3/4" will require a #9901 thick door kit for mortise application.
5. Custom drilling available.
6. Oval slot head wood screws (4/ea) are standard on the escutcheons.

MULTI POINT SETS - EURO

**2" x 14" MULTI POINT SETS**

- 8450** Lever Euro M/P Set - ENTRANCE
- 8451** Lever Euro M/P Set - FULL DUMMY
- 8452** Lever Euro M/P Set - ACTIVE DUMMY
- 8453** Lever Euro M/P Set - PATIO

Above sets include 8557 Lever

2-1/2" x 14" MULTI POINT SETS

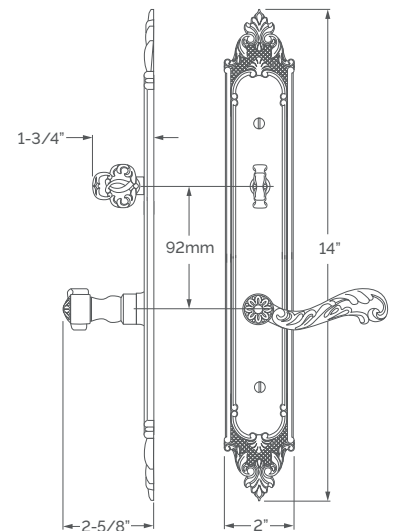
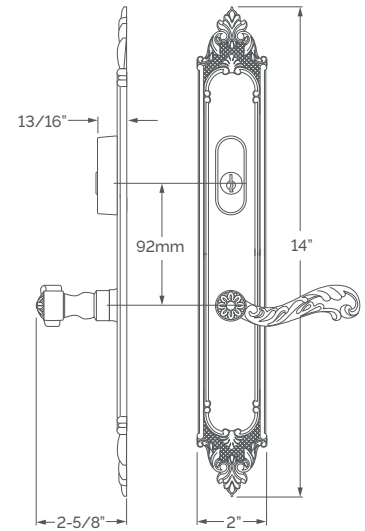
- 8456** Lever Euro M/P Set - ENTRANCE
- 8457** Lever Euro M/P Set - FULL DUMMY
- 8458** Lever Euro M/P Set - ACTIVE DUMMY
- 8459** Lever Euro M/P Set - PATIO

Above sets include 8557 Lever

REMEMBER

1. Complete our M/P Check Sheet (Form 500).
2. Standard euro profile application is LEVER HIGH – 92mm (hub-cylinder spacing).
3. All levers are interchangeable.
4. Door thickness greater than 1-3/4" will require longer euro cylinders and/or offset cylinders. 62mm KxT/P (31mm x 31mm) and 31mm Half Cylinder is standard for 1-3/4" doors.
5. Cylinders INCLUDED with all applications (collection turnpiece attached).
6. Strike not included.
7. Custom drilling available.
8. Euro offset cylinders and custom lengths available upon request.

MULTI POINT SETS - AMERICAN

**2" x 14" MULTI POINT SETS**

- 8464** Lever Amer M/P Set - ENTRANCE
- 8465** Lever Amer M/P Set - FULL DUMMY
- 8466** Lever Amer M/P Set - ACTIVE DUMMY
- 8467** Lever Amer M/P Set - PATIO

Above sets include 8557 Lever

2-1/2" x 14" MULTI POINT SETS

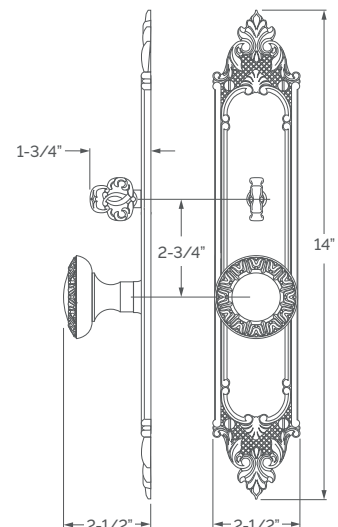
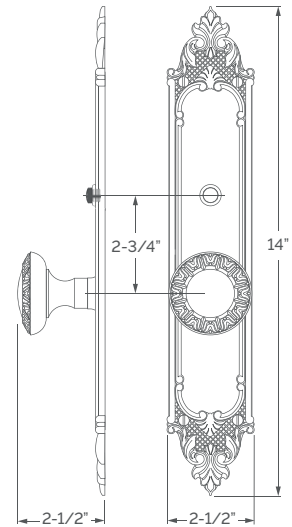
- 8470** Lever Amer M/P Set - ENTRANCE
- 8471** Lever Amer M/P Set - FULL DUMMY
- 8472** Lever Amer M/P Set - ACTIVE DUMMY
- 8473** Lever Amer M/P Set - PATIO

Above sets include 8557 Lever

REMEMBER

1. Complete our M/P Check Sheet (Form 500).
2. Standard M/P American cylinder applications: LEVER LOW- 92mm spacing.
3. Specify LEVER HIGH or custom c-c spacing if required.
4. All levers are interchangeable.
5. American cylinder included with Entrance function only.
6. Strike not included.
7. Custom drilling available.

INTERIOR ESCUTCHEON SETS - KNOB



2" x 14" ESCUTCHEON SETS

- 8424** Knob Escutcheon Set - PASSAGE
- 8425** Knob Escutcheon Set - LATCH x M/B
- 8426** Knob Escutcheon Set - FULL DUMMY
- 8427** Knob Escutcheon Set - HALF DUMMY

Above sets include 8550 Knob

2-1/2" x 14" ESCUTCHEON SETS

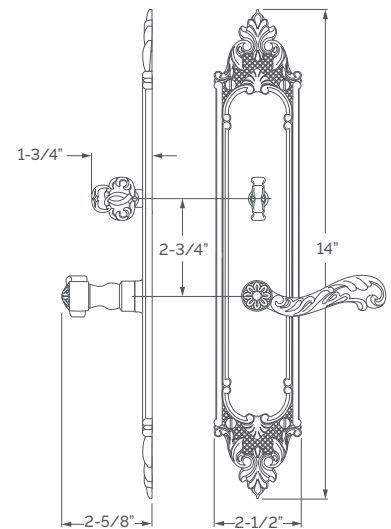
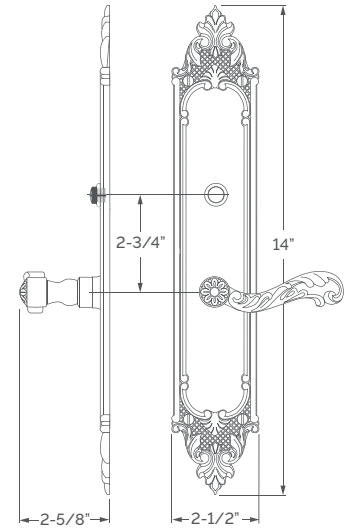
- 8432** Knob Escutcheon Set - PASSAGE
- 8433** Knob Escutcheon Set - PRIVACY
- 8435** Knob Escutcheon Set - LATCH x M/B
- 8437** Knob Escutcheon Set - FULL DUMMY
- 8438** Knob Escutcheon Set - HALF DUMMY

Above sets include 8550 Knob

REMEMBER

1. All knobs are interchangeable.
2. FULL LIP strikes are standard. Specify SUB "T" strike, if required.
3. Standard backset is 2-3/8" for tubular. If required, specify 2-3/4".
4. Custom drilling available.
5. Combination strike and faceplate available for latch x mortise bolt function.
6. Oval slot head wood screws (4/ea) are standard on the escutcheons.

INTERIOR ESCUTCHEON SETS - LEVER



2" x 14" ESCUTCHEON SETS

- 8428** Lever Escutcheon Set - PASSAGE
- 8429** Lever Escutcheon Set - LATCH x M/B
- 8430** Lever Escutcheon Set - FULL DUMMY
- 8431** Lever Escutcheon Set - HALF DUMMY

Above sets include 8557 Lever

2-1/2" x 14" ESCUTCHEON SETS

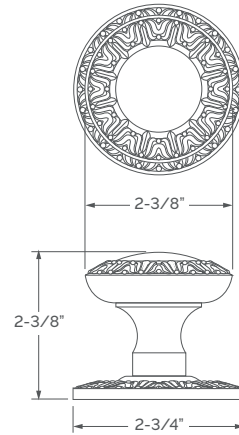
- 8442** Lever Escutcheon Set - PASSAGE
- 8443** Lever Escutcheon Set - PRIVACY
- 8445** Lever Escutcheon Set - LATCH x M/B
- 8447** Lever Escutcheon Set - FULL DUMMY
- 8448** Lever Escutcheon Set - HALF DUMMY

Above sets include 8557 Lever

REMEMBER

1. All levers are interchangeable.
2. FULL LIP strikes are standard. Specify SUB "T" strike, if required.
3. Standard backset is 2-3/8" for tubular. If required, specify 2-3/4".
4. Custom drilling available.
5. Combination strike and faceplate available for latch x mortise bolt function.
6. Oval slot head wood screws (4/ea) are standard on the escutcheons.

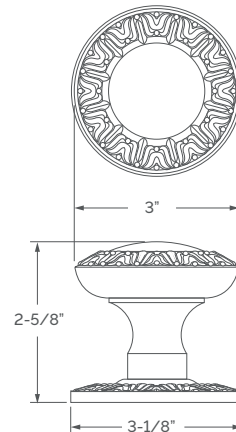
INTERIOR KNOB SETS



2-3/4" ROSE SETS

- 8502** Knob Set - PASSAGE
- 8507** Knob Set - PRIVACY
- 8514** Knob Set - FULL DUMMY
- 8518** Knob Set - HALF DUMMY

- 8550** Knob Only 2-3/8"
- 8561** Rose Only 2-3/4"

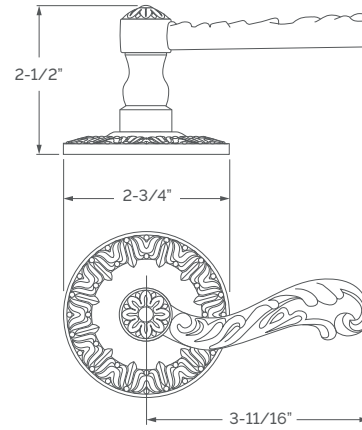


3-1/8" ROSE SETS

- 8504** Knob Set - PASSAGE
- 8509** Knob Set - PRIVACY
- 8516** Knob Set - FULL DUMMY
- 8520** Knob Set - HALF DUMMY

- 8552** Knob Only 3"
- 8563** Rose Only 3-1/8"

INTERIOR LEVER SETS



2-3/4" ROSE SETS

8532 Lever Set - PASSAGE

8534 Lever Set - PRIVACY

8536 Lever Set - FULL DUMMY

8538 Lever Set - HALF DUMMY

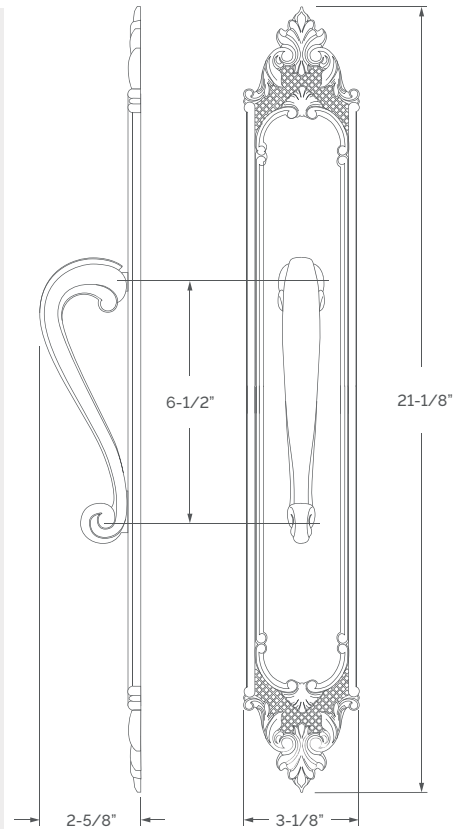
8557 Lever Only 3-11/16"

8561 Rose Only 2-3/4"

REMEMBER

1. Specify pre-drilled adapter (#9749) for 2-1/8" pre-drilled doors, which requires the large rose.
2. Consider utilizing an interior mortise lock for quality installations.
3. All knobs and levers are interchangeable.
4. FULL LIP strikes are standard. Specify SUB "T" strike, if required.
5. Standard backset is 2-3/8" for tubular. If required, specify 2-3/4".
6. Lever strength latches will be supplied with all large knobs.

PULLS, PUSH PLATES & PULL PLATES



APPLICATIONS

8489 Pull 6-1/2" c-c

8485 Pull Plate 2-1/2" x 14" (P) 8489

8486 Pull Plate 3-1/8" x 21-1/8" (P) 8489

8481 Push Plate 2" x 14"

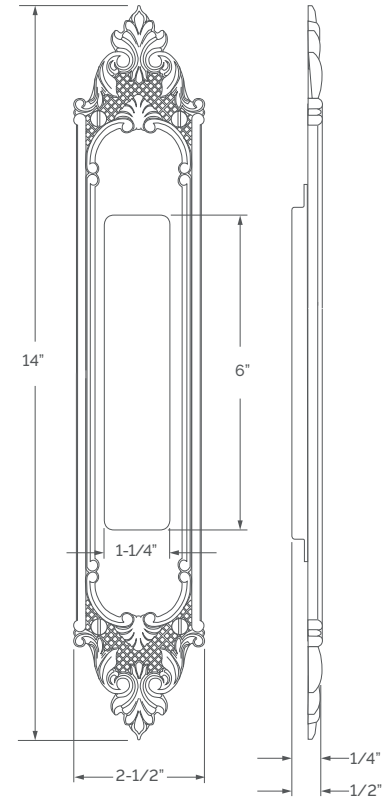
8482 Push Plate 2-1/2" x 14"

8483 Push Plate 3-1/8" x 21-1/8"

REMEMBER

1. Back-to-back applications available for pulls and pull plates. Specify #9958 for BTB and #9959 for Single Sided mounting.
2. Custom drilling available.

FLUSH PULLS



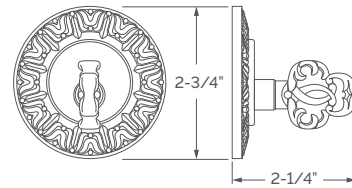
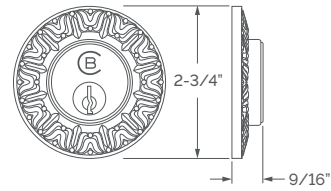
APPLICATIONS

- 8492** Flush Pull Only
- 8493** Flush Pull w/ Turnpiece
- 8494** Flush Pull w/ Cylinder Hole
- 8495** Flush Pull Set - PASSAGE w/ 9730
- 8496** Flush Pull Set - PASSAGE w/ Accurate 2000
- 8497** Flush Pull Set - PRIVACY w/ Accurate 2002

REMEMBER

1. Standard backset is 2-1/2" for mortise. If required, specify 2-3/4" backset.
2. Verify jamb clearance for escutcheon projection.
3. Edge pulls available - Standard or Mortise.
4. Custom drilling available.
5. Oval slot head wood screws (4/ea) are standard on the escutcheons.

AUXILIARY DEADBOLTS



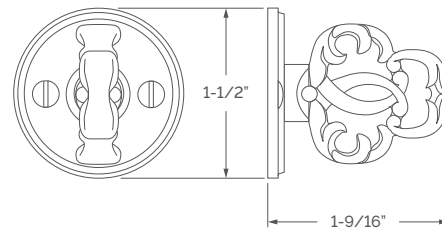
APPLICATIONS

- 8570** Auxiliary Deadbolt Set (KEY x TP) 2-3/4"
- 8571** Auxiliary Deadbolt Set (KEY x KEY) 2-3/4"

REMEMBER

1. Should you require key alike, please specify.
2. Standard backset is 2-3/8". If required, specify 2-3/4".

MORTISE BOLTS



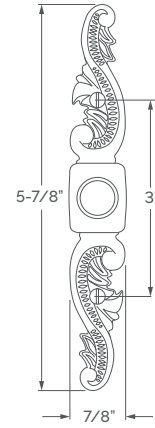
APPLICATIONS

- 8575** Complete Mortise Bolt Set
- 8577** Turnpiece and Plate w/ Mortise Bolt
- 8579** Turnpiece and Plate

REMEMBER

1. Standard backset is 2-3/8". If required, specify 2-3/4".

DOORBELL ESCUTCHEON



APPLICATIONS

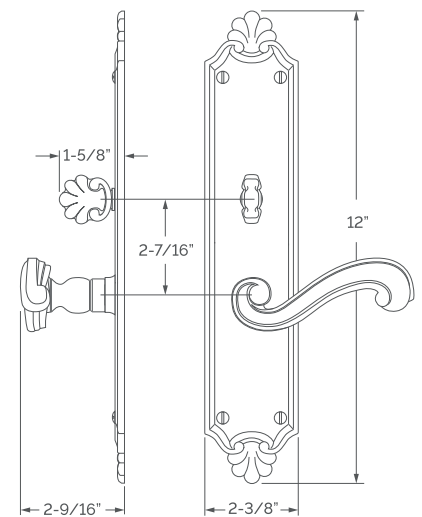
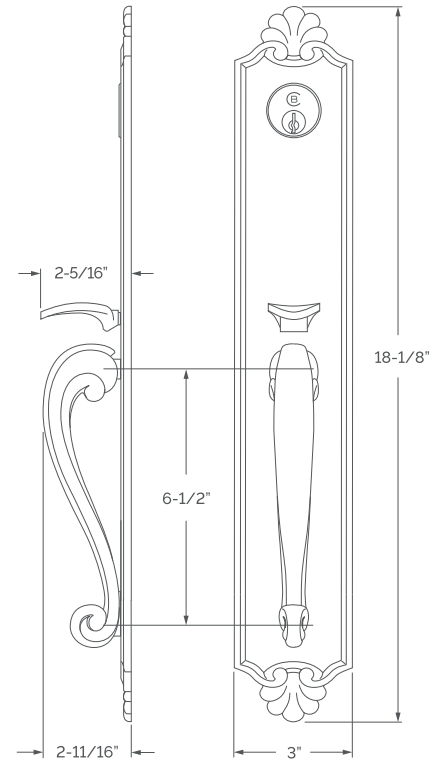
8583 Doorbell Escutcheon

REMEMBER

1. Doorbell button NOT included.



ENTRANCE HANDLE SETS



APPLICATIONS

8200 Entrance Handle Set - Lever

8202 Entrance Handle Set - T/P x T/P

8206 Entrance Handle Set - Lever - FULL DUMMY

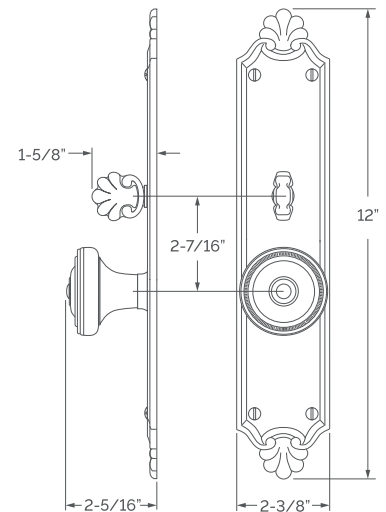
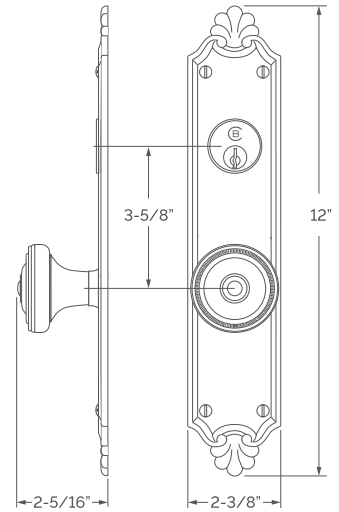
8207 Entrance Handle Set - T/P x T/P - FULL DUMMY

Above sets include 8357 Lever

REMEMBER

1. Standard mortise lock is 2-1/2" EE. Specify 2-3/4" if required.
2. All knobs and levers are interchangeable.
3. A door thickness greater than 1-3/4" will require a #9901 thick door kit.
4. Entrance handle sets are mortise lock only.
5. Custom drilling available.
6. Concealed undermount attachment is standard on exterior escutcheon.
Oval slot head wood screws (4/ea) are standard on interior escutcheon.

ENTRANCE KNOB SETS



APPLICATIONS

8210 Knob Mortise Entrance Set

8211 Knob Mortise Entrance Set - FULL DUMMY

8212 Knob Latch x Auxiliary Deadbolt Set

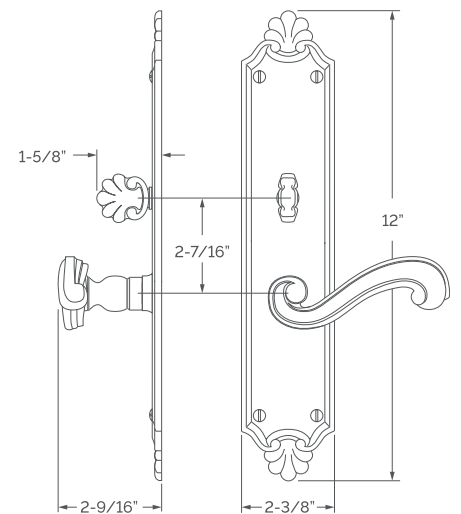
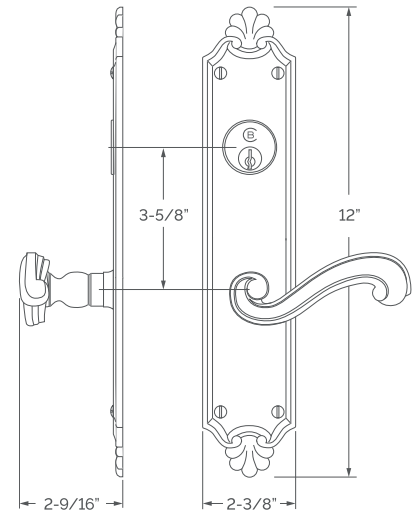
8213 Knob Latch x Auxiliary Deadbolt Set - FULL DUMMY

Above sets include 8350 Knob

REMEMBER

1. Standard mortise lock is 2-1/2" EE. Specify 2-3/4" if required.
2. Standard latch x auxiliary deadbolt: 5-1/2" c-c spacing and 2-3/8" backset. If required, specify 2-3/4" backset.
3. All knobs are interchangeable.
4. A door thickness greater than 1-3/4" will require a #9901 thick door kit for mortise application.
5. Custom drilling available.
6. Oval slot head wood screws (4/ea) are standard on the escutcheons.

ENTRANCE LEVER SETS



APPLICATIONS

8220 Lever Mortise Entrance Set

8221 Lever Mortise Entrance Set - FULL DUMMY

8222 Lever Latch x Auxiliary Deadbolt Set

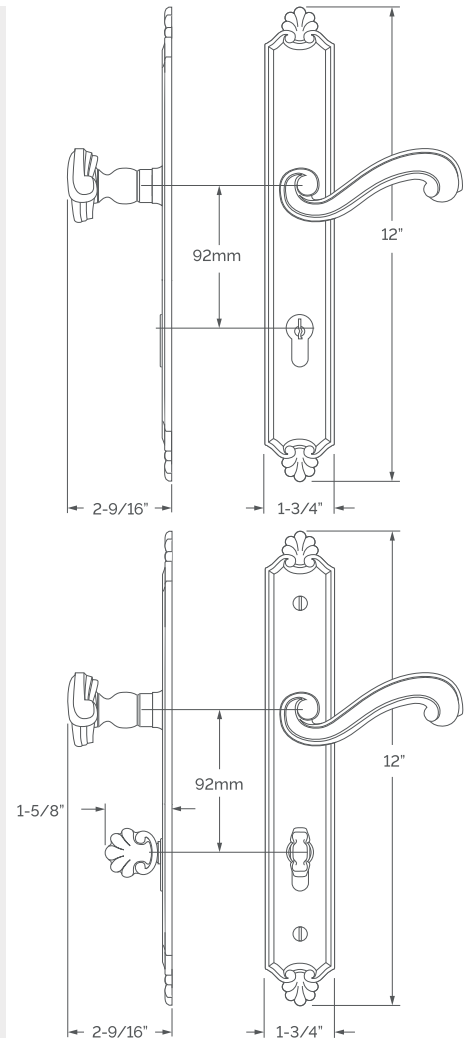
8223 Lever Latch x Auxiliary Deadbolt Set - FULL DUMMY

Above sets include 8357 Lever

REMEMBER

1. Standard mortise lock is 2-1/2" EE. Specify 2-3/4" if required.
2. Standard latch x auxiliary deadbolt: 5-1/2" c-c spacing and 2-3/8" backset. If required, specify 2-3/4" backset.
3. All levers are interchangeable.
4. A door thickness greater than 1-3/4" will require a #9901 thick door kit for mortise application.
5. Custom drilling available.
6. Oval slot head wood screws (4/ea) are standard on the escutcheons.

MULTI POINT SETS - EURO



1-3/4" x 12" MULTI POINT SETS

- 8250** Lever Euro M/P Set - ENTRANCE
- 8251** Lever Euro M/P Set - FULL DUMMY
- 8252** Lever Euro M/P Set - ACTIVE DUMMY
- 8253** Lever Euro M/P Set - PATIO

Above sets include 8357 Lever

2-3/8" x 12" MULTI POINT SETS

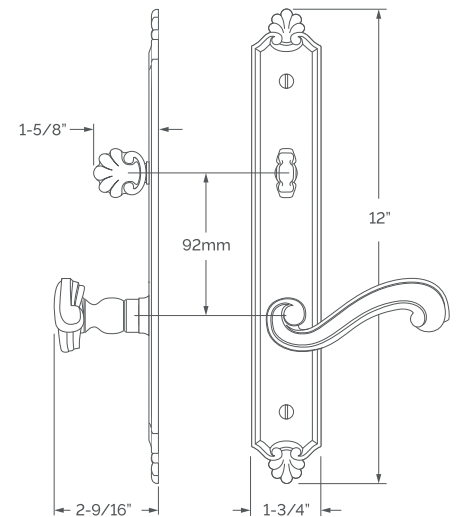
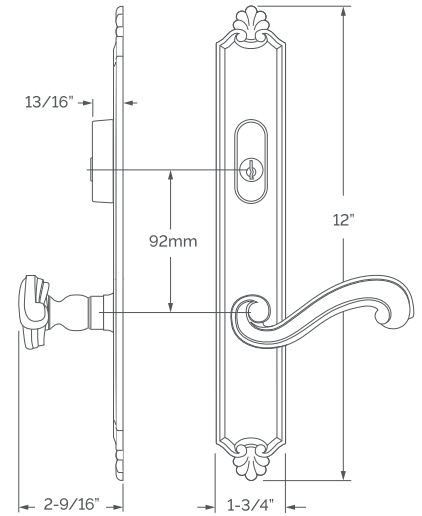
- 8256** Lever Euro M/P Set - ENTRANCE
- 8257** Lever Euro M/P Set - FULL DUMMY
- 8258** Lever Euro M/P Set - ACTIVE DUMMY
- 8259** Lever Euro M/P Set - PATIO

Above sets include 8357 Lever

REMEMBER

1. Complete our M/P Check Sheet (Form 500).
2. Standard euro profile application is LEVER HIGH – 92mm (hub-cylinder spacing).
3. All levers are interchangeable.
4. Door thickness greater than 1-3/4" will require longer euro cylinders and/or offset cylinders. 62mm KxT/P (31mm x 31mm) and 31mm Half Cylinder is standard for 1-3/4" doors.
5. Cylinders INCLUDED with all applications (collection turnpiece attached).
6. Strike not included.
7. Custom drilling available.
8. Euro offset cylinders and custom lengths available upon request.

MULTI POINT SETS - AMERICAN

**1-3/4" x 12" MULTI POINT SETS**

- 8264** Lever Amer M/P Set - ENTRANCE
- 8265** Lever Amer M/P Set - FULL DUMMY
- 8266** Lever Amer M/P Set - ACTIVE DUMMY
- 8267** Lever Amer M/P Set - PATIO

Above sets include 8357 Lever

2-3/8" x 12" MULTI POINT SETS

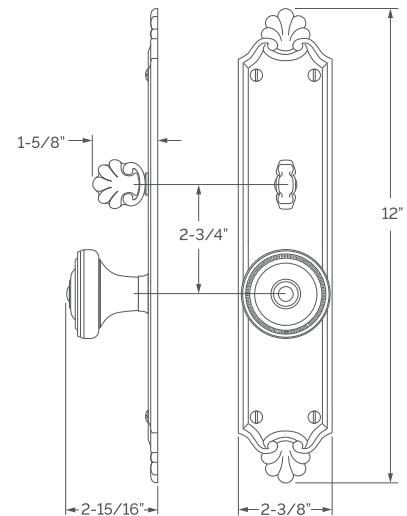
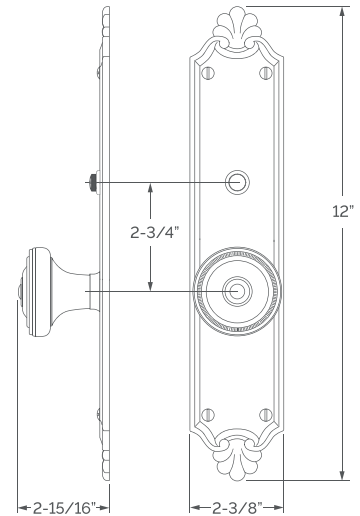
- 8270** Lever Amer M/P Set - ENTRANCE
- 8271** Lever Amer M/P Set - FULL DUMMY
- 8272** Lever Amer M/P Set - ACTIVE DUMMY
- 8273** Lever Amer M/P Set - PATIO

Above sets include 8357 Lever

REMEMBER

1. Complete our M/P Check Sheet (Form 500).
2. Standard M/P American cylinder applications: LEVER LOW- 92mm spacing.
3. Specify LEVER HIGH or custom c-c spacing if required.
4. All levers are interchangeable.
5. American cylinder included with Entrance function only.
6. Strike not included.
7. Custom drilling available.

INTERIOR ESCUTCHEON SETS - KNOB



1-3/4" x 12" ESCUTCHEON SETS

- 8224** Knob Escutcheon Set - PASSAGE
- 8225** Knob Escutcheon Set - LATCH x M/B
- 8226** Knob Escutcheon Set - FULL DUMMY
- 8227** Knob Escutcheon Set - HALF DUMMY

Above sets include 8350 Knob

2-3/8" x 12" ESCUTCHEON SETS

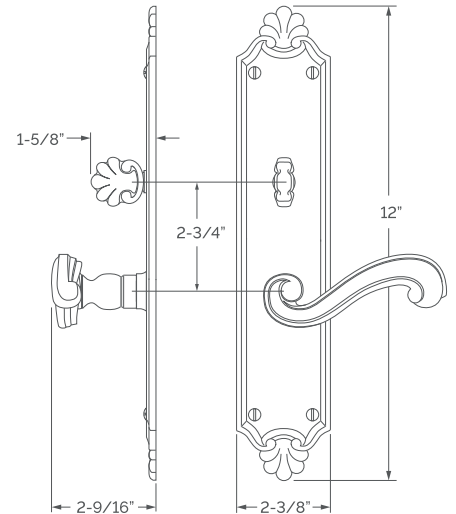
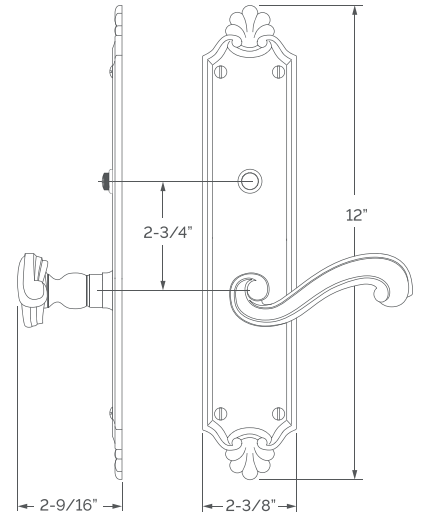
- 8232** Knob Escutcheon Set - PASSAGE
- 8233** Knob Escutcheon Set - PRIVACY
- 8235** Knob Escutcheon Set - LATCH x M/B
- 8237** Knob Escutcheon Set - FULL DUMMY
- 8238** Knob Escutcheon Set - HALF DUMMY

Above sets include 8350 Knob

REMEMBER

1. All knobs are interchangeable.
2. FULL LIP strikes are standard. Specify SUB "T" strike, if required.
3. Standard backset is 2-3/8" for tubular. If required, specify 2-3/4".
4. Custom drilling available.
5. Combination strike and faceplate available for latch x mortise bolt function.
6. Oval slot head wood screws (4/ea) are standard on the escutcheons.

INTERIOR ESCUTCHEON SETS - LEVER



1-3/4" x 12" ESCUTCHEON SETS

- 8228** Lever Escutcheon Set - PASSAGE
- 8229** Lever Escutcheon Set - LATCH x M/B
- 8230** Lever Escutcheon Set - FULL DUMMY
- 8231** Lever Escutcheon Set - HALF DUMMY

Above sets include 8357 Lever

2-3/8" x 12" ESCUTCHEON SETS

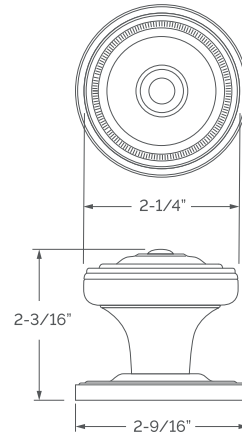
- 8242** Lever Escutcheon Set - PASSAGE
- 8243** Lever Escutcheon Set - PRIVACY
- 8245** Lever Escutcheon Set - LATCH x M/B
- 8247** Lever Escutcheon Set - FULL DUMMY
- 8248** Lever Escutcheon Set - HALF DUMMY

Above sets include 8357 Lever

REMEMBER

1. All levers are interchangeable.
2. FULL LIP strikes are standard. Specify SUB "T" strike, if required.
3. Standard backset is 2-3/8" for tubular. If required, specify 2-3/4".
4. Custom drilling available.
5. Combination strike and faceplate available for latch x mortise bolt function.
6. Oval slot head wood screws (4/ea) are standard on the escutcheons.

INTERIOR KNOB SETS



2-9/16" ROSE SETS

8302 Knob Set - PASSAGE

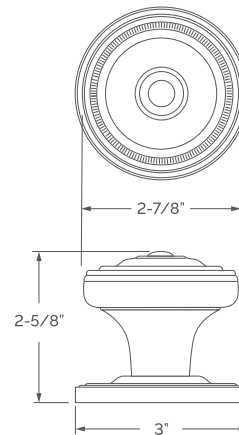
8307 Knob Set - PRIVACY

8314 Knob Set - FULL DUMMY

8318 Knob Set - HALF DUMMY

8350 Knob Only 2-1/4"

8361 Rose Only 2-9/16"



3" ROSE SETS

8304 Knob Set - PASSAGE

8309 Knob Set - PRIVACY

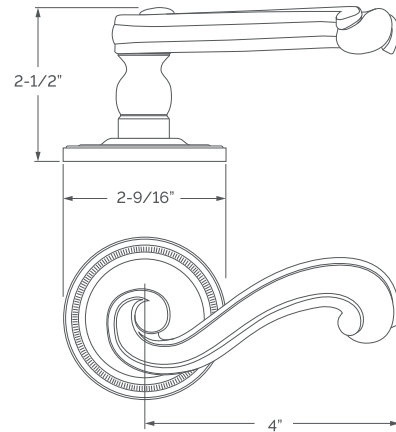
8316 Knob Set - FULL DUMMY

8320 Knob Set - HALF DUMMY

8352 Knob Only 2-7/8"

8363 Rose Only 3"

INTERIOR LEVER SETS



2-9/16" ROSE SETS

8332 Lever Set - PASSAGE

8334 Lever Set - PRIVACY

8336 Lever Set - FULL DUMMY

8338 Lever Set - HALF DUMMY

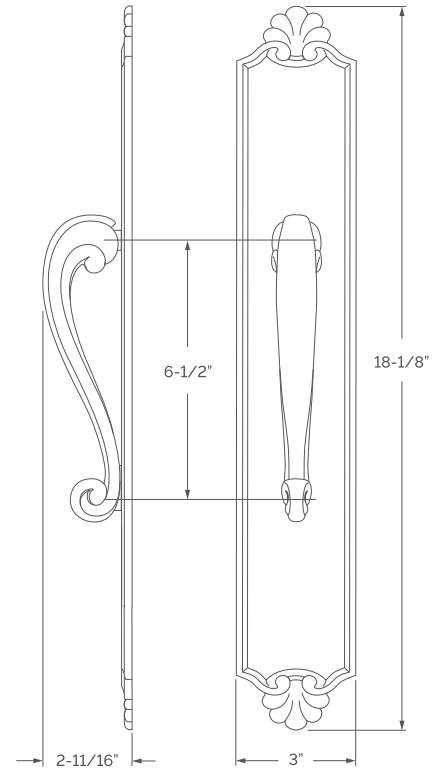
8357 Lever Only 4"

8361 Rose Only 2-9/16"

REMEMBER

1. Specify pre-drilled adapter (#9749) for 2-1/8" pre-drilled doors, which requires the large rose.
2. Consider utilizing an interior mortise lock for quality installations.
3. All knobs and levers are interchangeable.
4. FULL LIP strikes are standard. Specify SUB "T" strike, if required.
5. Standard backset is 2-3/8" for tubular. If required, specify 2-3/4".
6. Lever strength latches will be supplied with all large knobs.

PULLS, PUSH PLATES & PULL PLATES



APPLICATIONS

8289 Pull 6-1/2" c-c

8285 Pull Plate 2-3/8" x 12" (P) 8289

8286 Pull Plate 3" x 18-1/8" (P) 8289

8281 Push Plate 1-3/4" x 12"

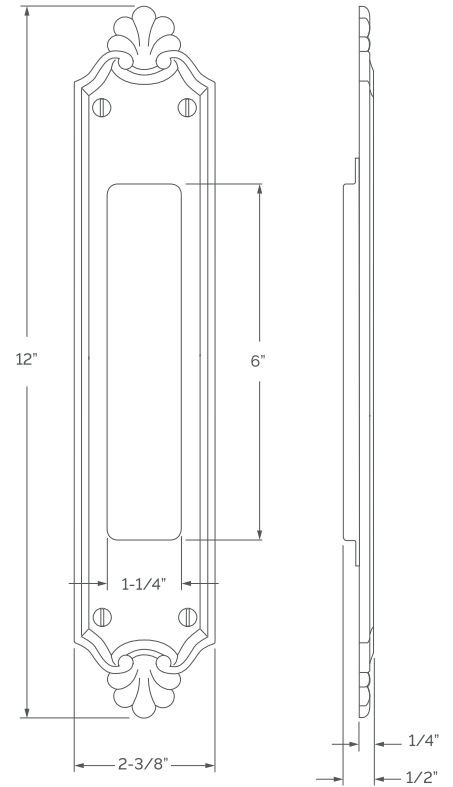
8282 Push Plate 2-3/8" x 12"

8283 Push Plate 3" x 18-1/8"

REMEMBER

1. Back-to-back applications available for pulls and pull plates. Specify #9958 for BTB and #9959 for Single Sided mounting.
2. Custom drilling available.

FLUSH PULLS



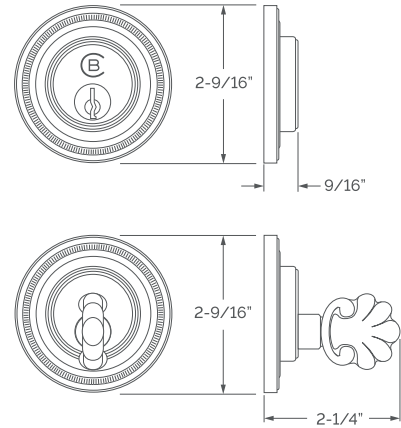
APPLICATIONS

- 8292** Flush Pull Only
- 8293** Flush Pull w/ Turnpiece
- 8294** Flush Pull w/ Cylinder Hole
- 8295** Flush Pull Set - PASSAGE w/ 9730
- 8296** Flush Pull Set - PASSAGE w/ Accurate 2000
- 8297** Flush Pull Set - PRIVACY w/ Accurate 2002

REMEMBER

1. Standard backset is 2-1/2" for mortise. If required, specify 2-3/4" backset.
2. Verify jamb clearance for escutcheon projection.
3. Edge pulls available - Standard or Mortise.
4. Custom drilling available.
5. Oval slot head wood screws (4/ea) are standard on the escutcheons.

AUXILIARY DEADBOLTS



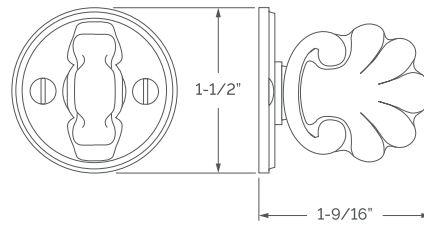
APPLICATIONS

- 8370** Auxiliary Deadbolt Set (KEY x TP) 2-9/16"
- 8371** Auxiliary Deadbolt Set (KEY x KEY) 2-9/16"

REMEMBER

1. Should you require key alike, please specify.
2. Standard backset is 2-3/8". If required, specify 2-3/4".

MORTISE BOLTS



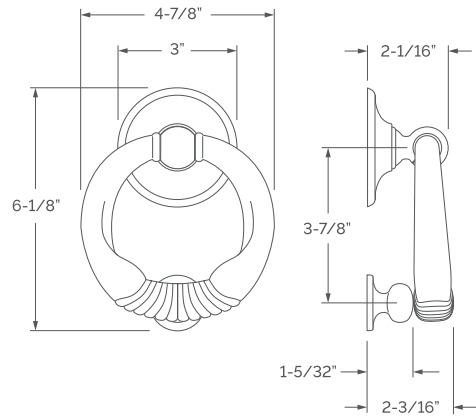
APPLICATIONS

- 8375** Complete Mortise Bolt Set
- 8377** Turnpiece and Plate w/ Mortise Bolt
- 8379** Turnpiece and Plate

REMEMBER

1. Standard backset is 2-3/8". If required, specify 2-3/4".

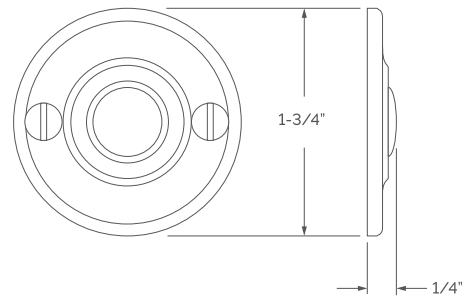
DOOR KNOCKER



APPLICATIONS

8380 Door Knocker

DOORBELL ESCUTCHEON



APPLICATIONS

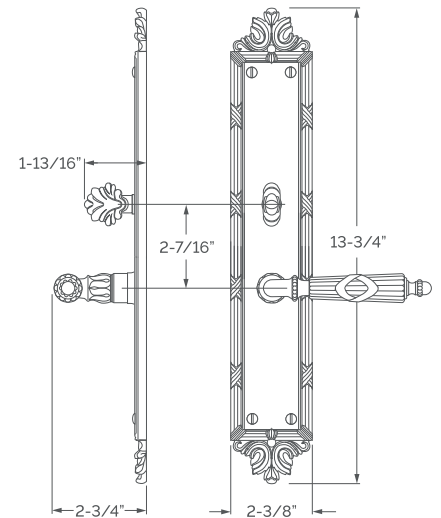
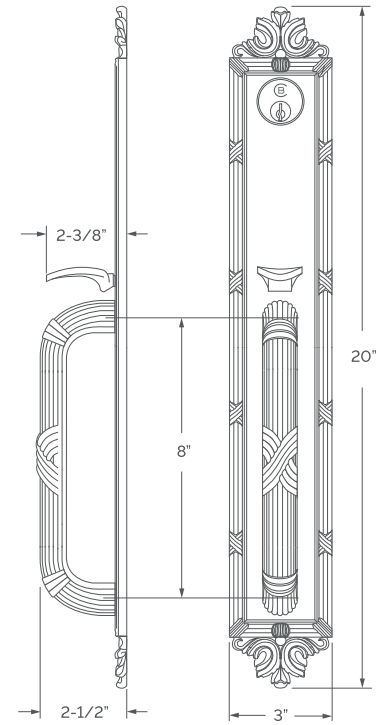
8383 Doorbell Escutcheon

REMEMBER

1. Doorbell button NOT included.



ENTRANCE HANDLE SETS



APPLICATIONS

8000 Entrance Handle Set - Lever

8002 Entrance Handle Set - T/P x T/P

8006 Entrance Handle Set - Lever - FULL DUMMY

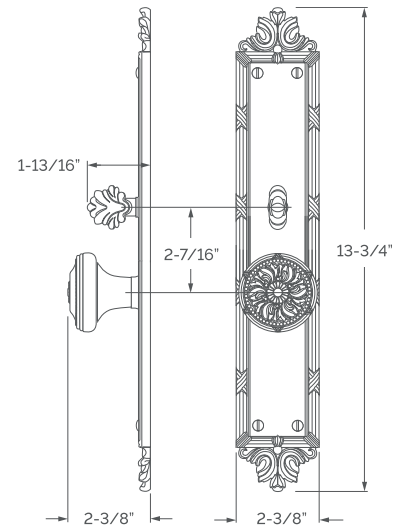
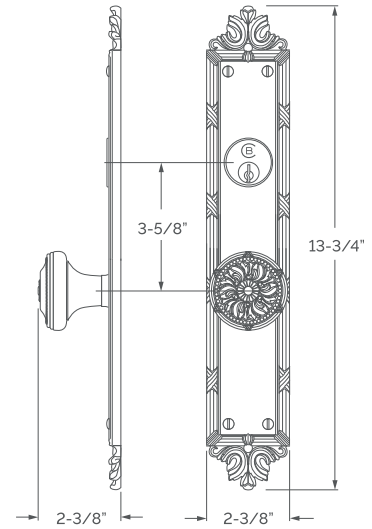
8007 Entrance Handle Set - T/P x T/P - FULL DUMMY

Above sets include 8157 Lever

REMEMBER

1. Standard mortise lock is 2-1/2" EE. Specify 2-3/4" if required.
2. All knobs and levers are interchangeable.
3. A door thickness greater than 1-3/4" will require a #9901 thick door kit.
4. Entrance handle sets are mortise lock only.
5. Custom drilling available.
6. Concealed undermount attachment is standard on exterior escutcheon.
Oval slot head wood screws (4/ea) are standard on interior escutcheon.

ENTRANCE KNOB SETS



APPLICATIONS

8010 Knob Mortise Entrance Set

8011 Knob Mortise Entrance Set - FULL DUMMY

8012 Knob Latch x Auxiliary Deadbolt Set

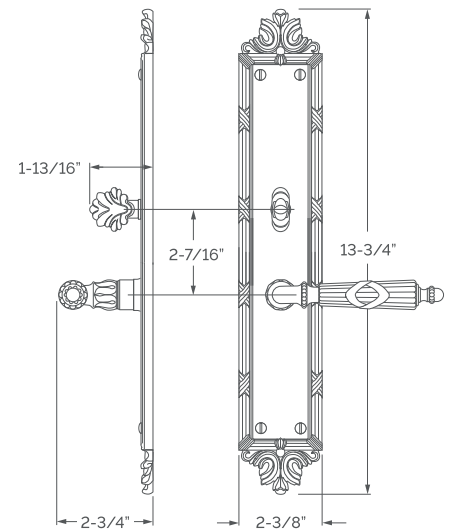
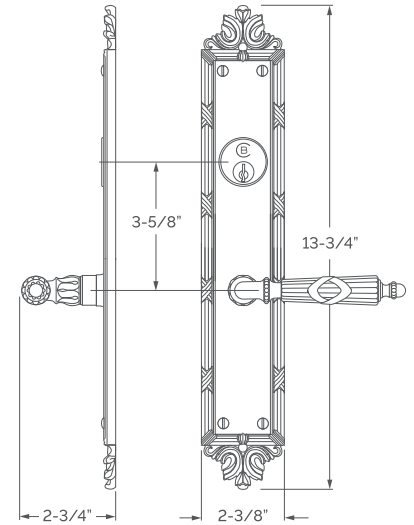
8013 Knob Latch x Auxiliary Deadbolt Set - FULL DUMMY

Above sets include 8150 Knob

REMEMBER

1. Standard mortise lock is 2-1/2" EE. Specify 2-3/4" if required.
2. Standard latch x auxiliary deadbolt: 5-1/2" c-c spacing and 2-3/8" backset. If required, specify 2-3/4" backset.
3. All knobs are interchangeable.
4. A door thickness greater than 1-3/4" will require a #9901 thick door kit for mortise application.
5. Custom drilling available.
6. Oval slot head wood screws (4/ea) are standard on the escutcheons.

ENTRANCE LEVER SETS



APPLICATIONS

8020 Lever Mortise Entrance Set

8021 Lever Mortise Entrance Set - FULL DUMMY

8022 Lever Latch x Auxiliary Deadbolt Set

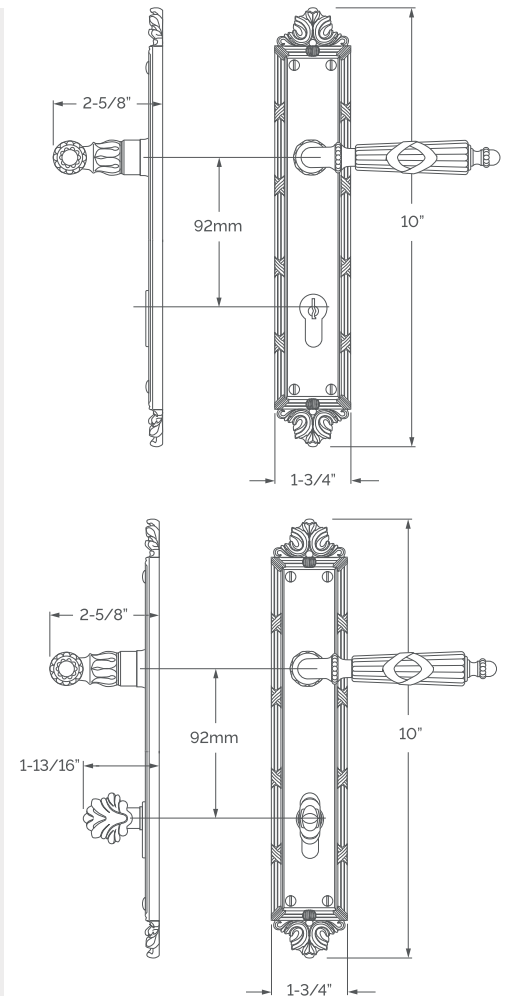
8023 Lever Latch x Auxiliary Deadbolt Set - FULL DUMMY

Above sets include 8157 Lever

REMEMBER

1. Standard mortise lock is 2-1/2" EE. Specify 2-3/4" if required.
2. Standard latch x auxiliary deadbolt: 5-1/2" c-c spacing and 2-3/8" backset. If required, specify 2-3/4" backset.
3. All levers are interchangeable.
4. A door thickness greater than 1-3/4" will require a #9901 thick door kit for mortise application.
5. Custom drilling available.
6. Oval slot head wood screws (4/ea) are standard on the escutcheons.

MULTI POINT SETS - EURO

**1-3/4" x 10" MULTI POINT SETS**

- 8050** Lever Euro M/P Set - ENTRANCE
- 8051** Lever Euro M/P Set - FULL DUMMY
- 8052** Lever Euro M/P Set - ACTIVE DUMMY
- 8053** Lever Euro M/P Set - PATIO

Above sets include 8157 Lever

2-3/8" x 13-3/4" MULTI POINT SETS

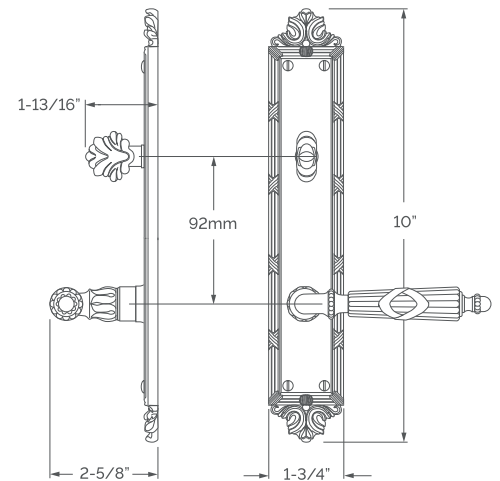
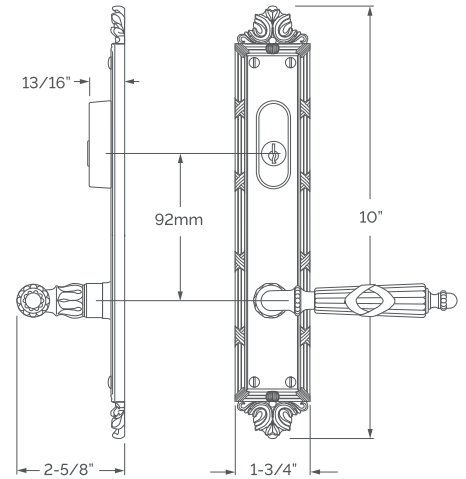
- 8056** Lever Euro M/P Set - ENTRANCE
- 8057** Lever Euro M/P Set - FULL DUMMY
- 8058** Lever Euro M/P Set - ACTIVE DUMMY
- 8059** Lever Euro M/P Set - PATIO

Above sets include 8157 Lever

REMEMBER

1. Complete our M/P Check Sheet (Form 500).
2. Standard euro profile application is LEVER HIGH – 92mm (hub-cylinder spacing).
3. All levers are interchangeable.
4. Door thickness greater than 1-3/4" will require longer euro cylinders and/or offset cylinders. 62mm KxT/P (31mm x 31mm) and 31mm Half Cylinder is standard for 1-3/4" doors.
5. Cylinders INCLUDED with all applications (collection turnpiece attached).
6. Strike not included.
7. Custom drilling available.
8. Euro offset cylinders and custom lengths available upon request.

MULTI POINT SETS - AMERICAN

**1-3/4" x 10" MULTI POINT SETS**

- 8064** Lever Amer M/P Set - ENTRANCE
- 8065** Lever Amer M/P Set - FULL DUMMY
- 8066** Lever Amer M/P Set - ACTIVE DUMMY
- 8067** Lever Amer M/P Set - PATIO

Above sets include 8157 Lever

2-3/8" x 13-3/4" MULTI POINT SETS

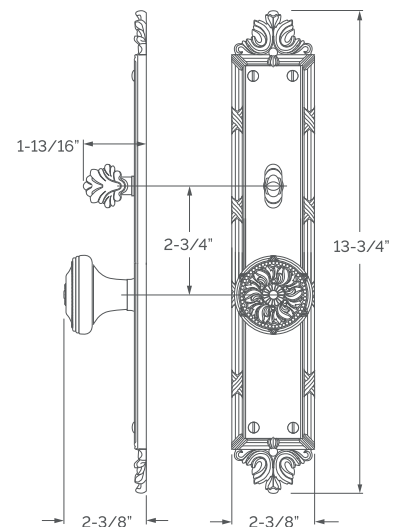
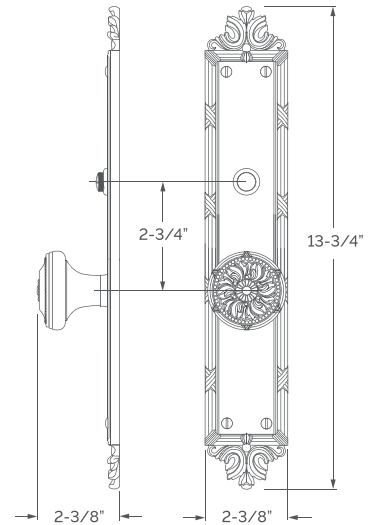
- 8070** Lever Amer M/P Set - ENTRANCE
- 8071** Lever Amer M/P Set - FULL DUMMY
- 8072** Lever Amer M/P Set - ACTIVE DUMMY
- 8073** Lever Amer M/P Set - PATIO

Above sets include 8157 Lever

REMEMBER

1. Complete our M/P Check Sheet (Form 500).
2. Standard M/P American cylinder applications: LEVER LOW- 92mm spacing.
3. Specify LEVER HIGH or custom c-c spacing if required.
4. All levers are interchangeable.
5. American cylinder included with Entrance function only.
6. Strike not included.
7. Custom drilling available.

INTERIOR ESCUTCHEON SETS - KNOB



1-3/4" x 10" ESCUTCHEON SETS

- 8024** Knob Escutcheon Set - PASSAGE
- 8025** Knob Escutcheon Set - LATCH x M/B
- 8026** Knob Escutcheon Set - FULL DUMMY
- 8027** Knob Escutcheon Set - HALF DUMMY

Above sets include 8150 Knob

2-3/8" x 13-3/4" ESCUTCHEON SETS

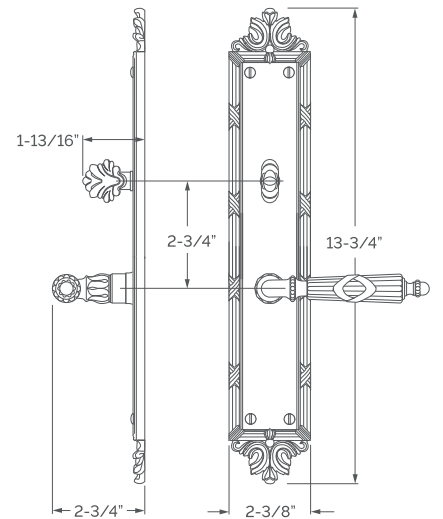
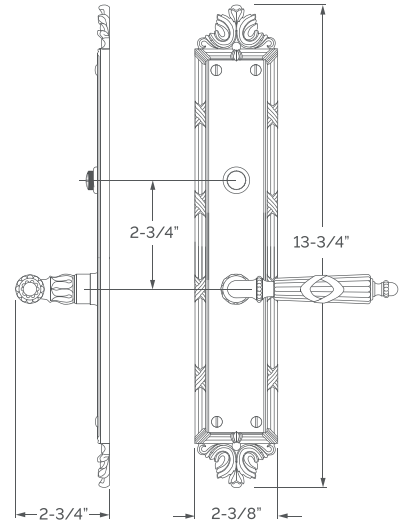
- 8032** Knob Escutcheon Set - PASSAGE
- 8033** Knob Escutcheon Set - PRIVACY
- 8035** Knob Escutcheon Set - LATCH x M/B
- 8037** Knob Escutcheon Set - FULL DUMMY
- 8038** Knob Escutcheon Set - HALF DUMMY

Above sets include 8150 Knob

REMEMBER

1. All knobs are interchangeable.
2. FULL LIP strikes are standard. Specify SUB "T" strike, if required.
3. Standard backset is 2-3/8" for tubular. If required, specify 2-3/4".
4. Custom drilling available.
5. Combination strike and faceplate available for latch x mortise bolt function.
6. Oval slot head wood screws (4/ea) are standard on the escutcheons.

INTERIOR ESCUTCHEON SETS - LEVER



1-3/4" x 10" ESCUTCHEON SETS

- 8028** Lever Escutcheon Set - PASSAGE
- 8029** Lever Escutcheon Set - LATCH x M/B
- 8030** Lever Escutcheon Set - FULL DUMMY
- 8031** Lever Escutcheon Set - HALF DUMMY

Above sets include 8157 Lever

2-3/8" x 13-3/4" ESCUTCHEON SETS

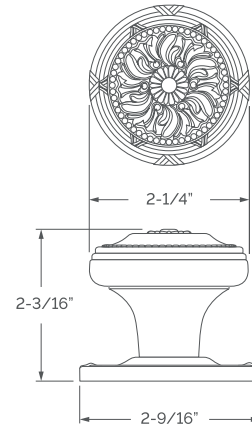
- 8042** Lever Escutcheon Set - PASSAGE
- 8043** Lever Escutcheon Set - PRIVACY
- 8045** Lever Escutcheon Set - LATCH x M/B
- 8047** Lever Escutcheon Set - FULL DUMMY
- 8048** Lever Escutcheon Set - HALF DUMMY

Above sets include 8157 Lever

REMEMBER

1. All levers are interchangeable.
2. FULL LIP strikes are standard. Specify SUB "T" strike, if required.
3. Standard backset is 2-3/8" for tubular. If required, specify 2-3/4".
4. Custom drilling available.
5. Combination strike and faceplate available for latch x mortise bolt function.
6. Oval slot head wood screws (4/ea) are standard on the escutcheons.

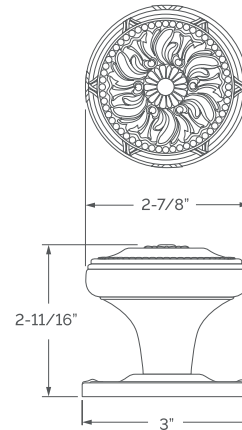
INTERIOR KNOB SETS



2-9/16" ROSE SETS

- 8102** Knob Set - PASSAGE
- 8107** Knob Set - PRIVACY
- 8114** Knob Set - FULL DUMMY
- 8118** Knob Set - HALF DUMMY

- 8150** Knob Only 2-1/4"
- 8161** Rose Only 2-9/16"

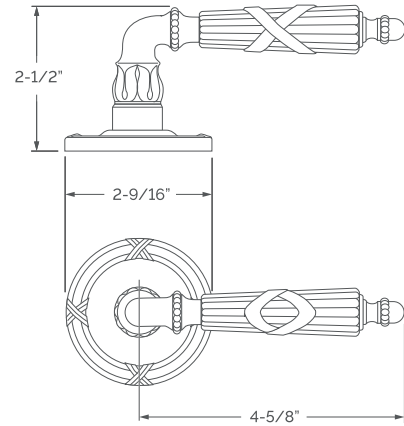
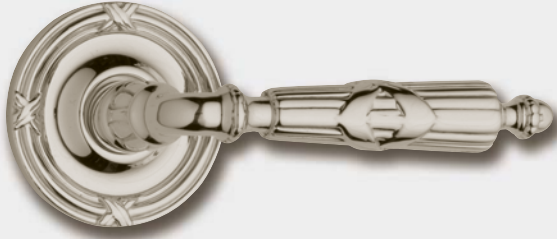


3" ROSE SETS

- 8104** Knob Set - PASSAGE
- 8109** Knob Set - PRIVACY
- 8116** Knob Set - FULL DUMMY
- 8120** Knob Set - HALF DUMMY

- 8152** Knob Only 2-7/8"
- 8163** Rose Only 3"

INTERIOR LEVER SETS



2-9/16" ROSE SETS

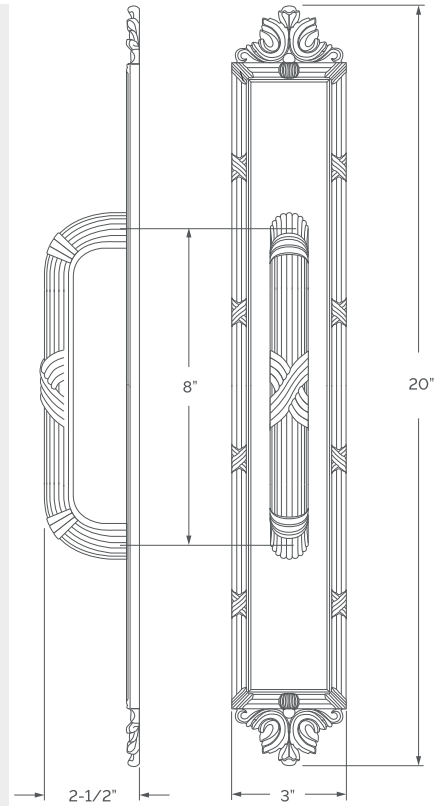
- 8132** Lever Set - PASSAGE
- 8134** Lever Set - PRIVACY
- 8136** Lever Set - FULL DUMMY
- 8138** Lever Set - HALF DUMMY

- 8157** Lever Only 4-5/8"
- 8161** Rose Only 2-9/16"

REMEMBER

1. Specify pre-drilled adapter (#9749) for 2-1/8" pre-drilled doors, which requires the large rose.
2. Consider utilizing an interior mortise lock for quality installations.
3. All knobs and levers are interchangeable.
4. FULL LIP strikes are standard. Specify SUB "T" strike, if required.
5. Standard backset is 2-3/8" for tubular. If required, specify 2-3/4".
6. Lever strength latches will be supplied with all large knobs.

PULLS, PUSH PLATES & PULL PLATES



APPLICATIONS

8089 Pull 8" c-c

8085 Pull Plate 2-3/8" x 13-3/4" (P) 8089

8086 Pull Plate 3" x 20" (P) 8089

8081 Push Plate 1-3/4" x 10"

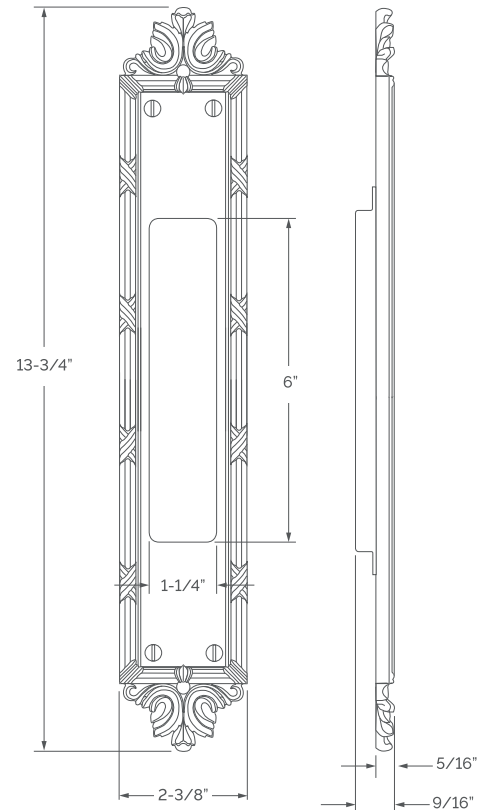
8082 Push Plate 2-3/8" x 13-3/4"

8083 Push Plate 3" x 20"

REMEMBER

1. Back-to-back applications available for pulls and pull plates. Specify #9958 for BTB and #9959 for Single Sided mounting.
2. Custom drilling available.

FLUSH PULLS



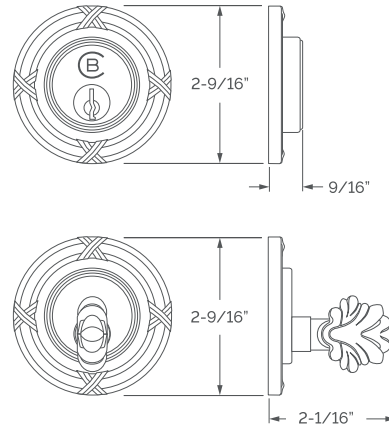
APPLICATIONS

- 8092** Flush Pull Only
- 8093** Flush Pull w/ Turnpiece
- 8094** Flush Pull w/ Cylinder Hole
- 8095** Flush Pull Set - PASSAGE w/ 9730
- 8096** Flush Pull Set - PASSAGE w/ Accurate 2000
- 8097** Flush Pull Set - PRIVACY w/ Accurate 2002

REMEMBER

1. Standard backset is 2-1/2" for mortise. If required, specify 2-3/4" backset.
2. Verify jamb clearance for escutcheon projection.
3. Edge pulls available - Standard or Mortise.
4. Custom drilling available.
5. Oval slot head wood screws (4/ea) are standard on the escutcheons.

AUXILIARY DEADBOLTS



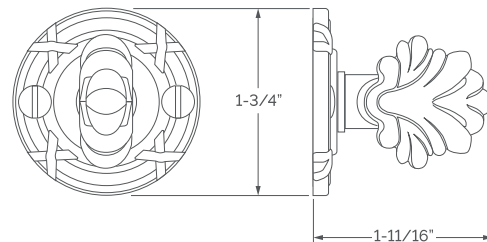
APPLICATIONS

- 8170** Auxiliary Deadbolt Set (KEY x TP) 2-9/16"
8171 Auxiliary Deadbolt Set (KEY x KEY) 2-9/16"

REMEMBER

1. Should you require key alike, please specify.
2. Standard backset is 2-3/8". If required, specify 2-3/4".

MORTISE BOLTS



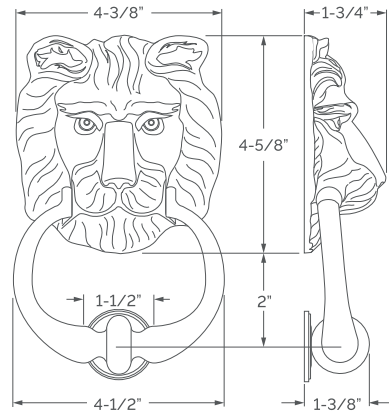
APPLICATIONS

- 8175** Complete Mortise Bolt Set
8177 Turnpiece and Plate w/ Mortise Bolt
8179 Turnpiece and Plate

REMEMBER

1. Standard backset is 2-3/8". If required, specify 2-3/4".

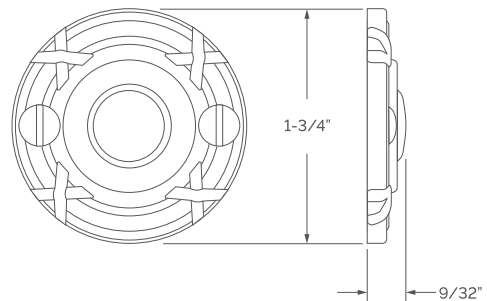
DOOR KNOCKER



APPLICATIONS

8180 Door Knocker

DOORBELL ESCUTCHEON



APPLICATIONS

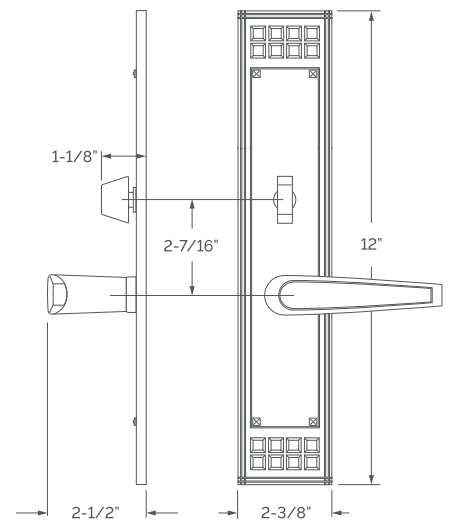
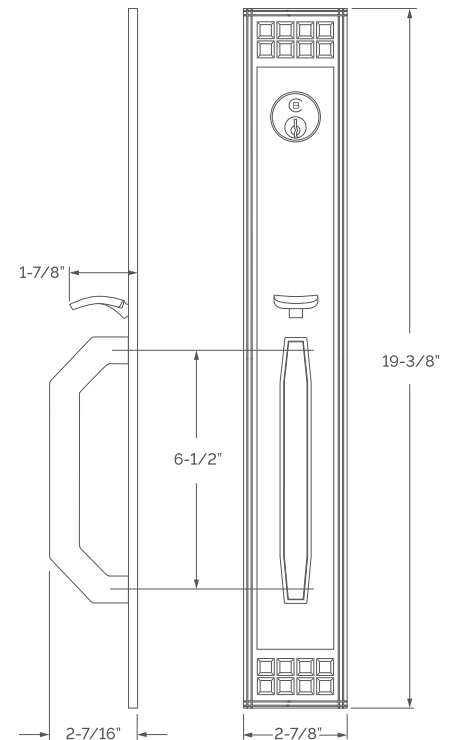
8183 Doorbell Escutcheon

REMEMBER

1. Doorbell button NOT included.



ENTRANCE HANDLE SETS



APPLICATIONS

8600 Entrance Handle Set - Lever

8602 Entrance Handle Set - T/P x T/P

8606 Entrance Handle Set - Lever - FULL DUMMY

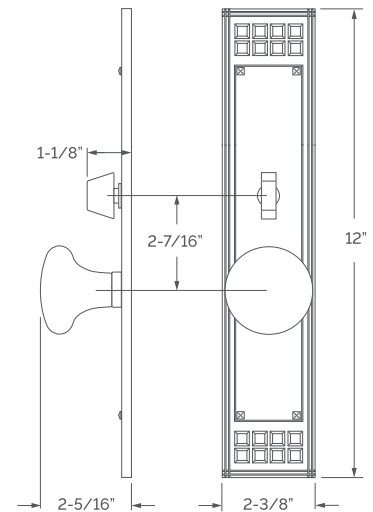
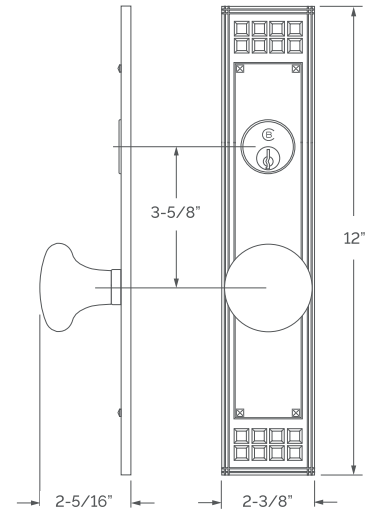
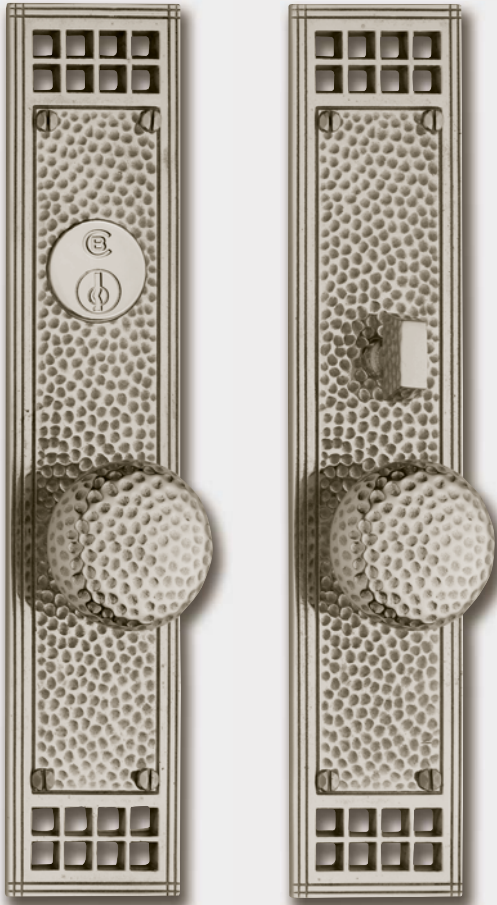
8607 Entrance Handle Set - T/P x T/P - FULL DUMMY

Above sets include 8757 Lever

REMEMBER

1. Standard mortise lock is 2-1/2" EE. Specify 2-3/4" if required.
2. All knobs and levers are interchangeable.
3. A door thickness greater than 1-3/4" will require a #9901 thick door kit.
4. Entrance handle sets are mortise lock only.
5. Custom drilling available.
6. Concealed undermount attachment is standard on exterior escutcheon.
Oval slot head wood screws (4/ea) are standard on interior escutcheon.

ENTRANCE KNOB SETS



APPLICATIONS

8610 Knob Mortise Entrance Set

8611 Knob Mortise Entrance Set - FULL DUMMY

8612 Knob Latch x Auxiliary Deadbolt Set

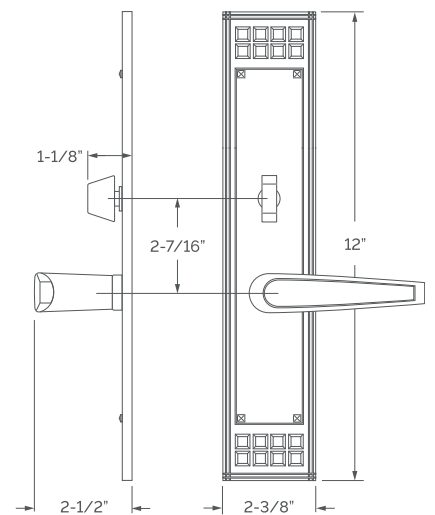
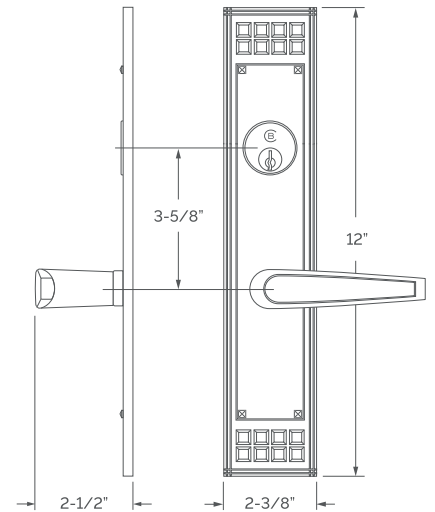
8613 Knob Latch x Auxiliary Deadbolt Set - FULL DUMMY

Above sets include 8750 Knob

REMEMBER

1. Standard mortise lock is 2-1/2" EE. Specify 2-3/4" if required.
2. Standard latch x auxiliary deadbolt: 5-1/2" c-c spacing and 2-3/8" backset. If required, specify 2-3/4" backset.
3. All knobs are interchangeable.
4. A door thickness greater than 1-3/4" will require a #9901 thick door kit for mortise application.
5. Custom drilling available.
6. Oval slot head wood screws (4/ea) are standard on the escutcheons.

ENTRANCE LEVER SETS



APPLICATIONS

8620 Lever Mortise Entrance Set

8621 Lever Mortise Entrance Set - FULL DUMMY

8622 Lever Latch x Auxiliary Deadbolt Set

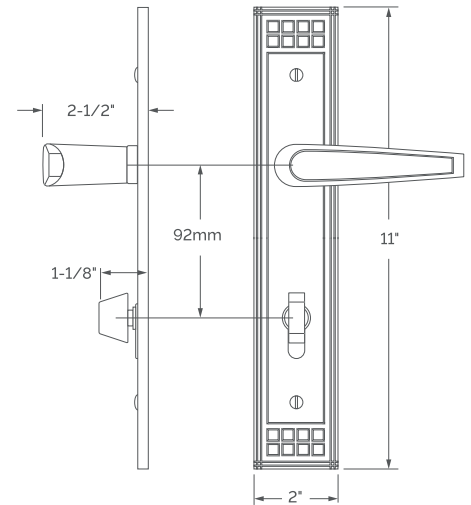
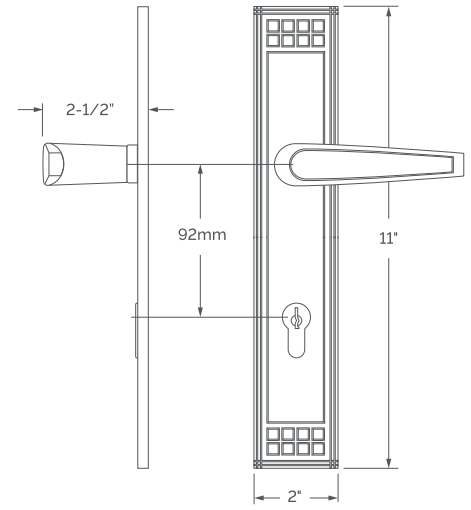
8623 Lever Latch x Auxiliary Deadbolt Set - FULL DUMMY

Above sets include 8757 Lever

REMEMBER

1. Standard mortise lock is 2-1/2" EE. Specify 2-3/4" if required.
2. Standard latch x auxiliary deadbolt: 5-1/2" c-c spacing and 2-3/8" backset. If required, specify 2-3/4" backset.
3. All levers are interchangeable.
4. A door thickness greater than 1-3/4" will require a #9901 thick door kit for mortise application.
5. Custom drilling available.
6. Oval slot head wood screws (4/ea) are standard on the escutcheons.

MULTI POINT SETS - EURO

**2" x 11" MULTI POINT SETS**

- 8650** Lever Euro M/P Set - ENTRANCE
- 8651** Lever Euro M/P Set - FULL DUMMY
- 8652** Lever Euro M/P Set - ACTIVE DUMMY
- 8653** Lever Euro M/P Set - PATIO

Above sets include 8757 Lever

2-3/8" x 12" MULTI POINT SETS

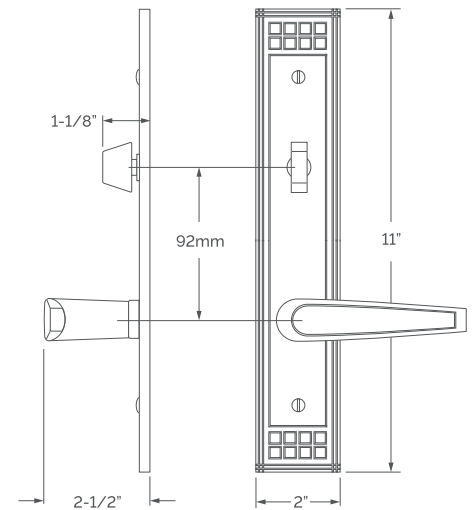
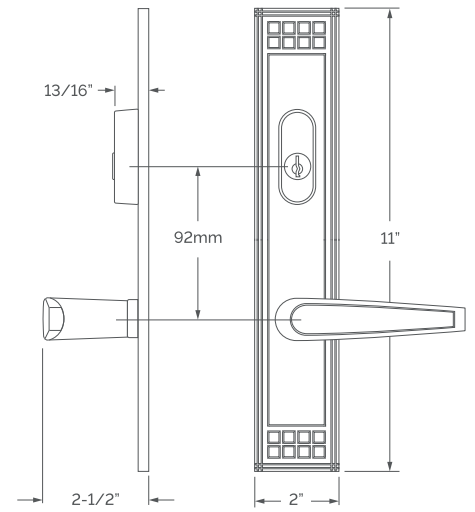
- 8656** Lever Euro M/P Set - ENTRANCE
- 8657** Lever Euro M/P Set - FULL DUMMY
- 8658** Lever Euro M/P Set - ACTIVE DUMMY
- 8659** Lever Euro M/P Set - PATIO

Above sets include 8757 Lever

REMEMBER

1. Complete our M/P Check Sheet (Form 500).
2. Standard euro profile application is LEVER HIGH – 92mm (hub-cylinder spacing).
3. All levers are interchangeable.
4. Door thickness greater than 1-3/4" will require longer euro cylinders and/or offset cylinders. 62mm KxT/P (31mm x 31mm) and 31mm Half Cylinder is standard for 1-3/4" doors.
5. Cylinders INCLUDED with all applications (collection turnpiece attached).
6. Strike not included.
7. Custom drilling available.
8. Euro offset cylinders and custom lengths available upon request.

MULTI POINT SETS - AMERICAN

**2" x 11" MULTI POINT SETS**

- 8664** Lever Amer M/P Set - ENTRANCE
- 8665** Lever Amer M/P Set - FULL DUMMY
- 8666** Lever Amer M/P Set - ACTIVE DUMMY
- 8667** Lever Amer M/P Set - PATIO

Above sets include 8757 Lever

2-3/8" x 12" MULTI POINT SETS

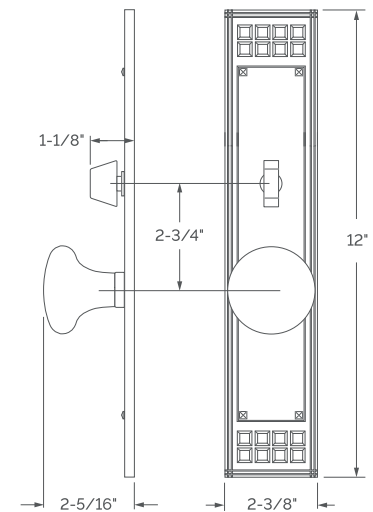
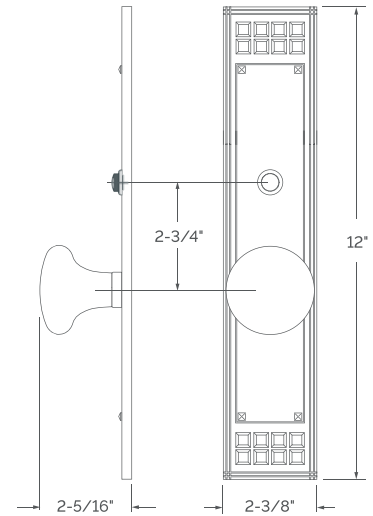
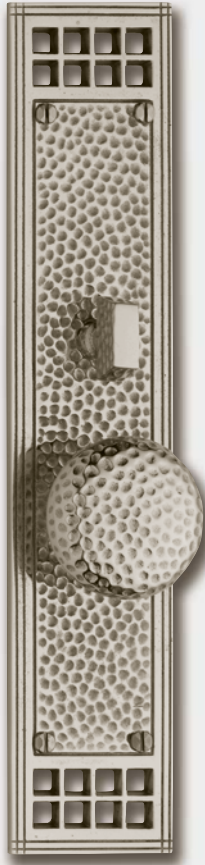
- 8670** Lever Amer M/P Set - ENTRANCE
- 8671** Lever Amer M/P Set - FULL DUMMY
- 8672** Lever Amer M/P Set - ACTIVE DUMMY
- 8673** Lever Amer M/P Set - PATIO

Above sets include 8757 Lever

REMEMBER

1. Complete our M/P Check Sheet (Form 500).
2. Standard M/P American cylinder applications: LEVER LOW- 92mm spacing.
3. Specify LEVER HIGH or custom c-c spacing if required.
4. All levers are interchangeable.
5. American cylinder included with Entrance function only.
6. Strike not included.
7. Custom drilling available.

INTERIOR ESCUTCHEON SETS - KNOB



2" x 11" ESCUTCHEON SETS

- 8624** Knob Escutcheon Set - PASSAGE
- 8625** Knob Escutcheon Set - LATCH x M/B
- 8626** Knob Escutcheon Set - FULL DUMMY
- 8627** Knob Escutcheon Set - HALF DUMMY

Above sets include 8750 Knob

2-3/8" x 12" ESCUTCHEON SETS

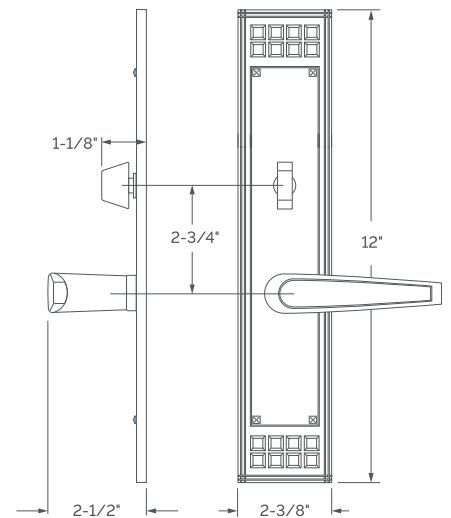
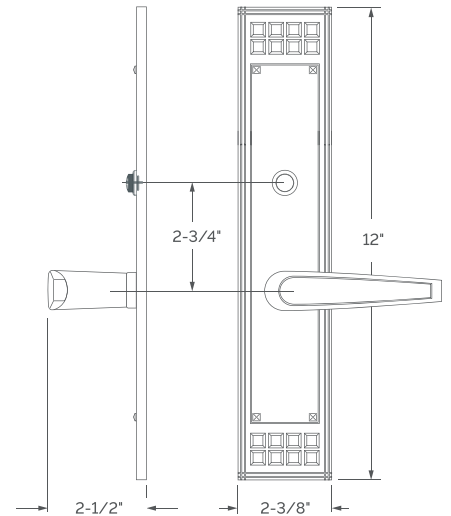
- 8632** Knob Escutcheon Set - PASSAGE
- 8633** Knob Escutcheon Set - PRIVACY
- 8635** Knob Escutcheon Set - LATCH x M/B
- 8637** Knob Escutcheon Set - FULL DUMMY
- 8638** Knob Escutcheon Set - HALF DUMMY

Above sets include 8750 Knob

REMEMBER

1. All knobs are interchangeable.
2. FULL LIP strikes are standard. Specify SUB "T" strike, if required.
3. Standard backset is 2-3/8" for tubular. If required, specify 2-3/4".
4. Custom drilling available.
5. Combination strike and faceplate available for latch x mortise bolt function.
6. Oval slot head wood screws (4/ea) are standard on the escutcheons.

INTERIOR ESCUTCHEON SETS - LEVER



2" x 11" ESCUTCHEON SETS

- 8628** Lever Escutcheon Set - PASSAGE
- 8629** Lever Escutcheon Set - LATCH x M/B
- 8630** Lever Escutcheon Set - FULL DUMMY
- 8631** Lever Escutcheon Set - HALF DUMMY

Above sets include 8757 Lever

2-3/8" x 12" ESCUTCHEON SETS

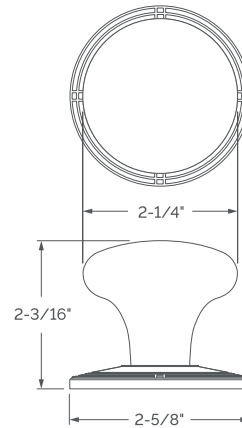
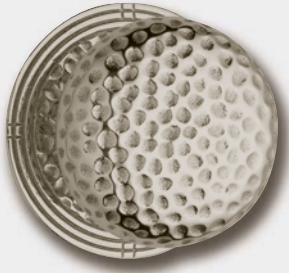
- 8642** Lever Escutcheon Set - PASSAGE
- 8643** Lever Escutcheon Set - PRIVACY
- 8645** Lever Escutcheon Set - LATCH x M/B
- 8647** Lever Escutcheon Set - FULL DUMMY
- 8648** Lever Escutcheon Set - HALF DUMMY

Above sets include 8757 Lever

REMEMBER

1. All levers are interchangeable.
2. FULL LIP strikes are standard. Specify SUB "T" strike, if required.
3. Standard backset is 2-3/8" for tubular. If required, specify 2-3/4".
4. Custom drilling available.
5. Combination strike and faceplate available for latch x mortise bolt function.
6. Oval slot head wood screws (4/ea) are standard on the escutcheons.

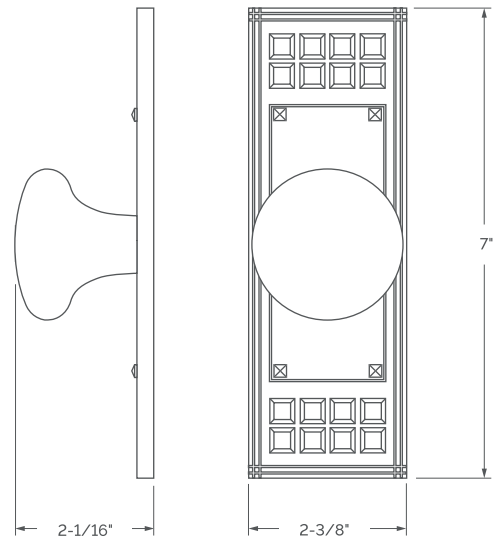
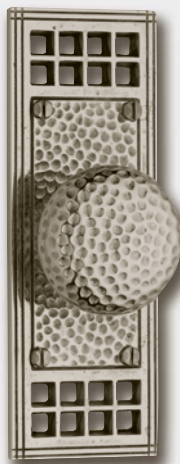
INTERIOR KNOB SETS



2-5/8" ROSE SETS

- 8704** Knob Set - PASSAGE
- 8709** Knob Set - PRIVACY
- 8716** Knob Set - FULL DUMMY
- 8720** Knob Set - HALF DUMMY

- 8750** Knob Only 2-1/4"
- 8762** Rose Only 2-5/8"

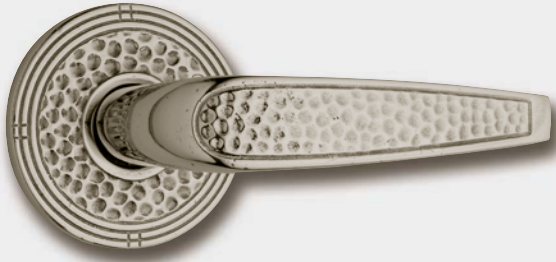


2-3/8" x 7" ROSE SETS

- 8702** Knob Set - PASSAGE
- 8707** Knob Set - PRIVACY
- 8714** Knob Set - FULL DUMMY
- 8718** Knob Set - HALF DUMMY

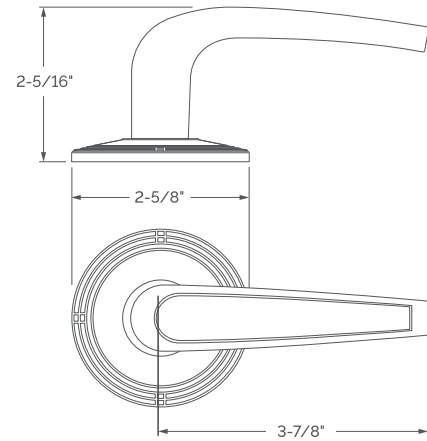
- 8750** Knob Only 2-1/4"
- 8761** Rose Only 2-3/8" x 7"

INTERIOR LEVER SETS

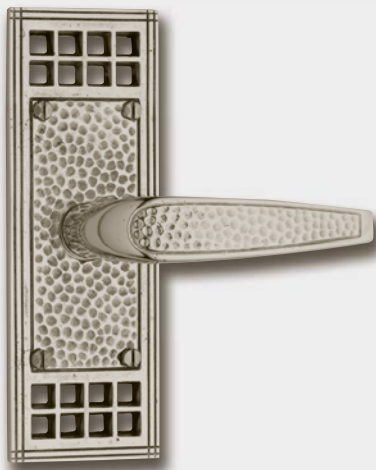


2-5/8" ROSE SETS

- 8733** Lever Set - PASSAGE
- 8735** Lever Set - PRIVACY
- 8737** Lever Set - FULL DUMMY
- 8739** Lever Set - HALF DUMMY

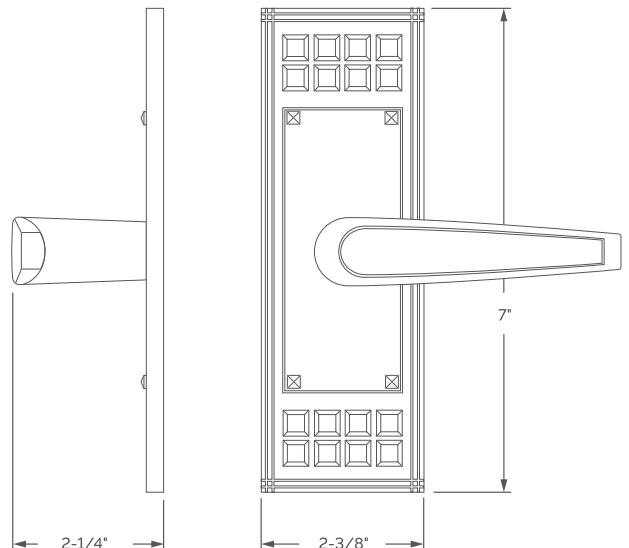


- 8757** Lever Only 3-7/8"
- 8762** Rose Only 2-5/8"



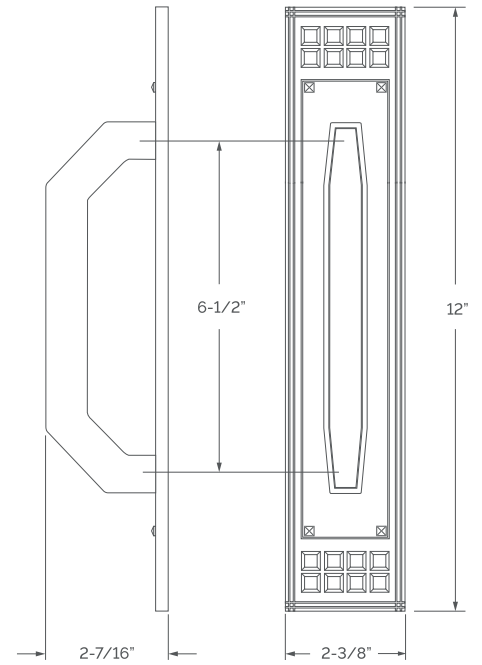
2-3/8" x 7" ROSE SETS

- 8732** Lever Set - PASSAGE
- 8734** Lever Set - PRIVACY
- 8736** Lever Set - FULL DUMMY
- 8738** Lever Set - HALF DUMMY



- 8757** Lever Only 3-7/8"
- 8761** Rose Only 2-3/8" x 7"

PULLS, PUSH PLATES & PULL PLATES



APPLICATIONS

8689 Pull 6-1/2" c-c

8685 Pull Plate 2-3/8" x 12" (P) 8689

8686 Pull Plate 2-7/8" x 19-3/8" (P) 8689

8681 Push Plate 2" x 11"

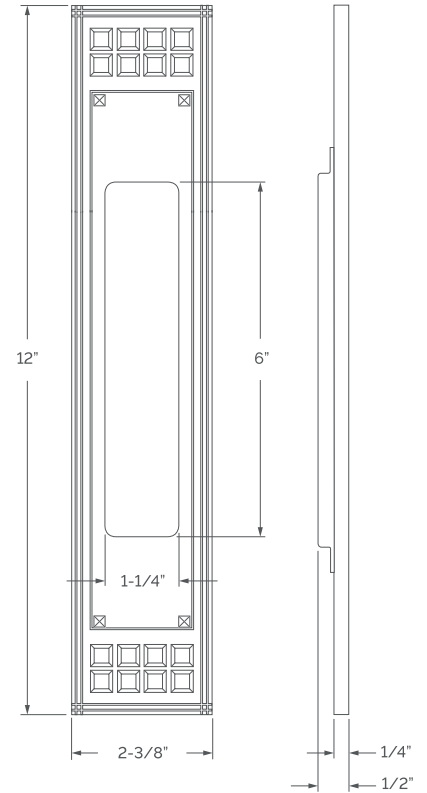
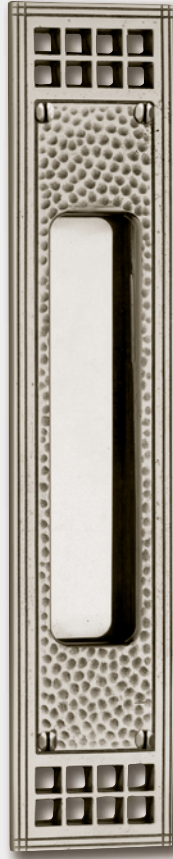
8682 Push Plate 2-3/8" x 12"

8683 Push Plate 2-7/8" x 19-3/8"

REMEMBER

1. Back-to-back applications available for pulls and pull plates. Specify #9958 for BTB and #9959 for Single Sided mounting.
2. Custom drilling available.

FLUSH PULLS



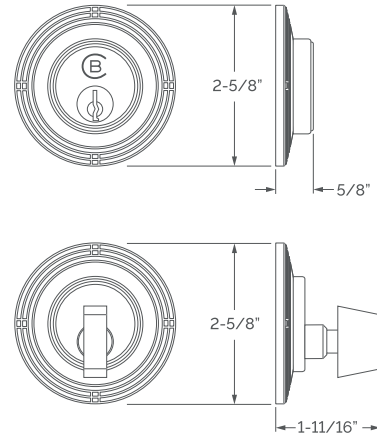
APPLICATIONS

- 8692** Flush Pull Only
- 8693** Flush Pull w/ Turnpiece
- 8694** Flush Pull w/ Cylinder Hole
- 8695** Flush Pull Set - PASSAGE w/ 9730
- 8696** Flush Pull Set - PASSAGE w/ Accurate 2000
- 8697** Flush Pull Set - PRIVACY w/ Accurate 2002

REMEMBER

1. Standard backset is 2-1/2" for mortise. If required, specify 2-3/4" backset.
2. Verify jamb clearance for escutcheon projection.
3. Edge pulls available - Standard or Mortise.
4. Custom drilling available.
5. Oval slot head wood screws (4/ea) are standard on the escutcheons.

AUXILIARY DEADBOLTS



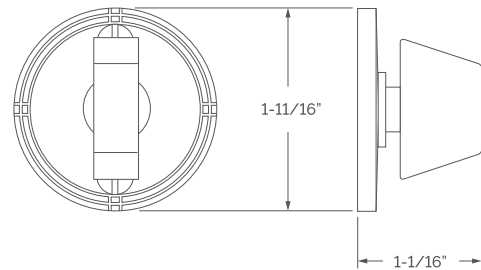
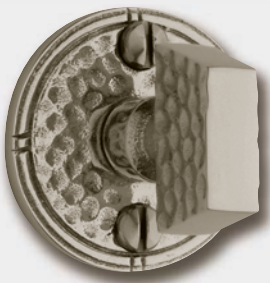
APPLICATIONS

- 8770** Auxiliary Deadbolt Set (KEY x TP) 2-5/8"
- 8771** Auxiliary Deadbolt Set (KEY x KEY) 2-5/8"

REMEMBER

1. Should you require key alike, please specify.
2. Standard backset is 2-3/8". If required, specify 2-3/4".

MORTISE BOLTS



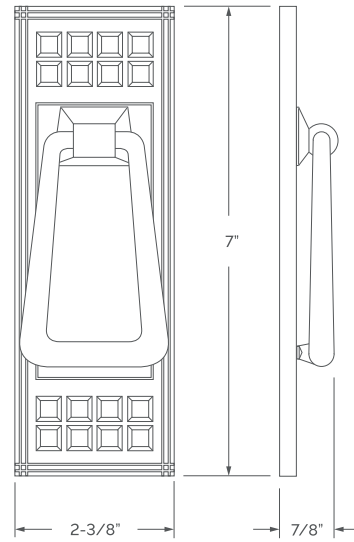
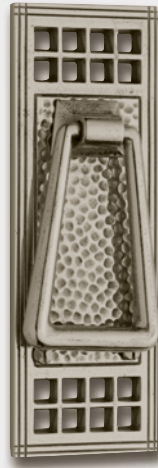
APPLICATIONS

- 8775** Complete Mortise Bolt Set
- 8777** Turnpiece and Plate w/ Mortise Bolt
- 8779** Turnpiece and Plate

REMEMBER

1. Standard backset is 2-3/8". If required, specify 2-3/4".

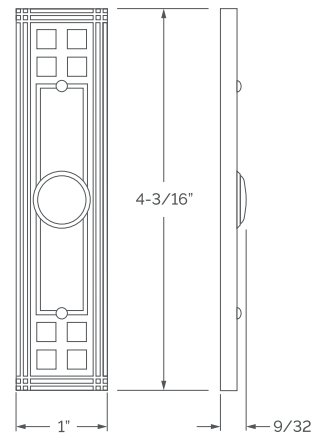
DOOR KNOCKER



APPLICATIONS

8780 Door Knocker

DOORBELL ESCUTCHEON



APPLICATIONS

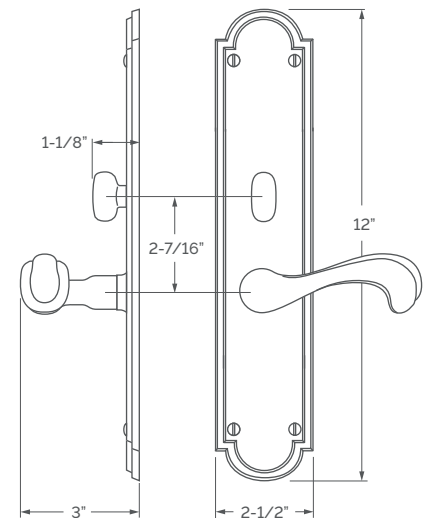
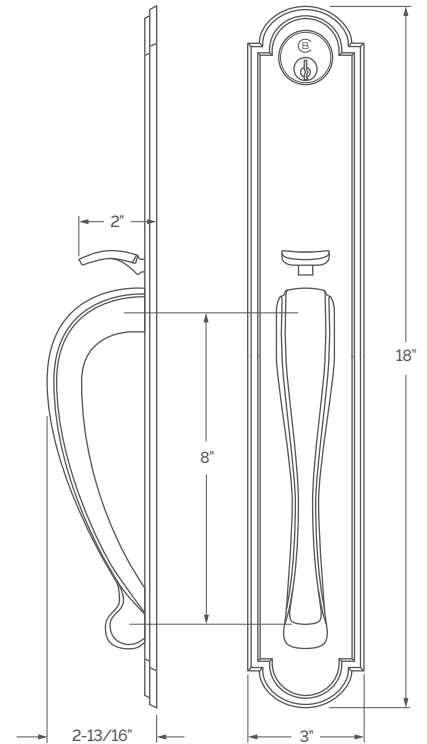
8783 Doorbell Escutcheon

REMEMBER

1. Doorbell button NOT included.



ENTRANCE HANDLE SETS



APPLICATIONS

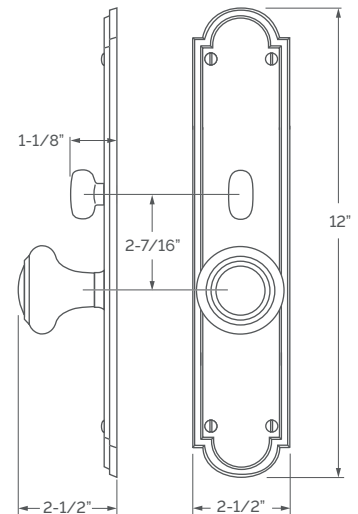
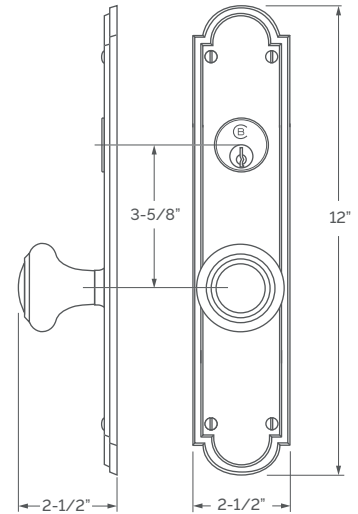
- 8800** Entrance Handle Set - Lever
- 8802** Entrance Handle Set - T/P x T/P
- 8806** Entrance Handle Set - Lever - FULL DUMMY
- 8807** Entrance Handle Set - T/P x T/P - FULL DUMMY

Above sets include 8957 Lever

REMEMBER

1. Standard mortise lock is 2-1/2" EE. Specify 2-3/4" if required.
2. All knobs and levers are interchangeable.
3. A door thickness greater than 1-3/4" will require a #9901 thick door kit.
4. Entrance handle sets are mortise lock only.
5. Custom drilling available.
6. Concealed undermount attachment is standard on exterior escutcheon.
Oval slot head wood screws (4/ea) are standard on interior escutcheon.

ENTRANCE KNOB SETS



APPLICATIONS

8810 Knob Mortise Entrance Set

8811 Knob Mortise Entrance Set - FULL DUMMY

8812 Knob Latch x Auxiliary Deadbolt Set

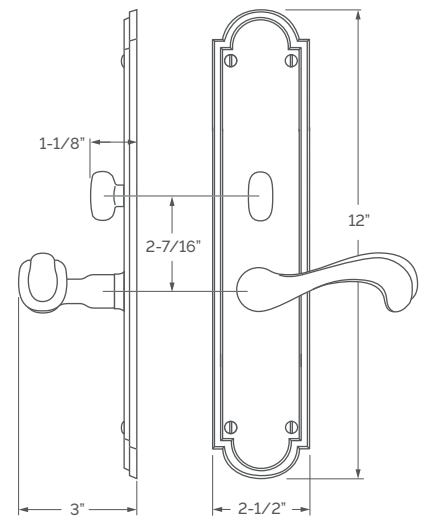
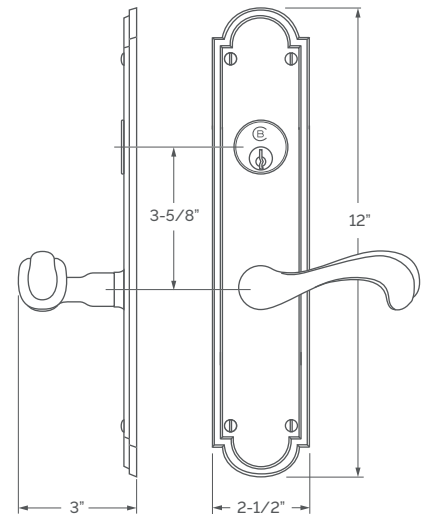
8813 Knob Latch x Auxiliary Deadbolt Set - FULL DUMMY

Above sets include 8950 Knob

REMEMBER

1. Standard mortise lock is 2-1/2" EE. Specify 2-3/4" if required.
2. Standard latch x auxiliary deadbolt: 5-1/2" c-c spacing and 2-3/8" backset. If required, specify 2-3/4" backset.
3. All knobs are interchangeable.
4. A door thickness greater than 1-3/4" will require a #9901 thick door kit for mortise application.
5. Custom drilling available.
6. Oval slot head wood screws (4/ea) are standard on the escutcheons.

ENTRANCE LEVER SETS



APPLICATIONS

8820 Lever Mortise Entrance Set

8821 Lever Mortise Entrance Set - FULL DUMMY

8822 Lever Latch x Auxiliary Deadbolt Set

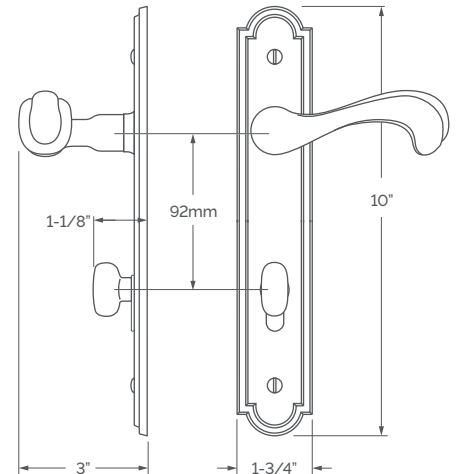
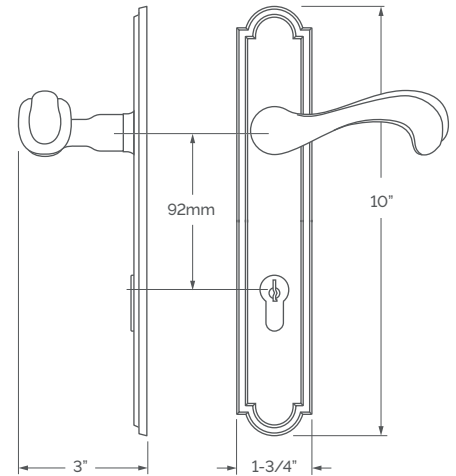
8823 Lever Latch x Auxiliary Deadbolt Set - FULL DUMMY

Above sets include 8957 Lever

REMEMBER

1. Standard mortise lock is 2-1/2" EE. Specify 2-3/4" if required.
2. Standard latch x auxiliary deadbolt: 5-1/2" c-c spacing and 2-3/8" backset. If required, specify 2-3/4" backset.
3. All levers are interchangeable.
4. A door thickness greater than 1-3/4" will require a #9901 thick door kit for mortise application.
5. Custom drilling available.
6. Oval slot head wood screws (4/ea) are standard on the escutcheons.

MULTI POINT SETS - EURO



1-3/4" x 10" MULTI POINT SETS

- 8850** Lever Euro M/P Set - ENTRANCE
- 8851** Lever Euro M/P Set - FULL DUMMY
- 8852** Lever Euro M/P Set - ACTIVE DUMMY
- 8853** Lever Euro M/P Set - PATIO

Above sets include 8957 Lever

2-1/2" x 12" MULTI POINT SETS

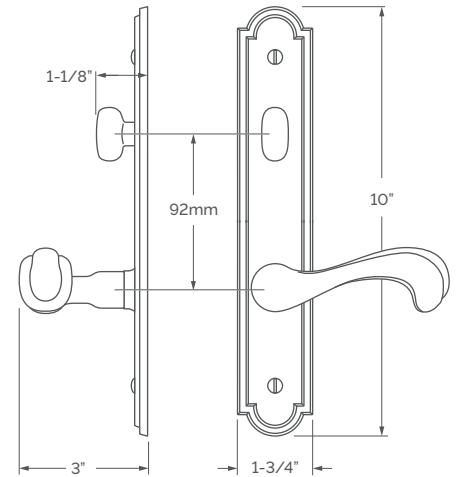
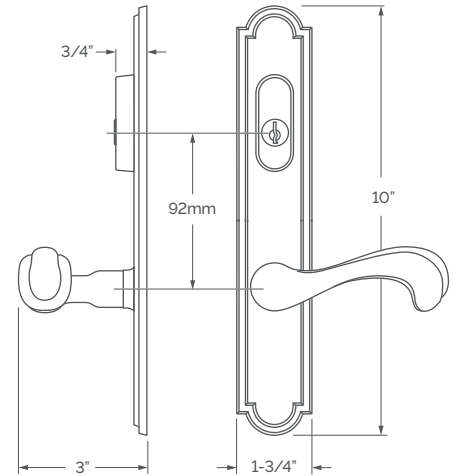
- 8856** Lever Euro M/P Set - ENTRANCE
- 8857** Lever Euro M/P Set - FULL DUMMY
- 8858** Lever Euro M/P Set - ACTIVE DUMMY
- 8859** Lever Euro M/P Set - PATIO

Above sets include 8957 Lever

REMEMBER

1. Complete our M/P Check Sheet (Form 500).
2. Standard euro profile application is LEVER HIGH – 92mm (hub-cylinder spacing).
3. All levers are interchangeable.
4. Door thickness greater than 1-3/4" will require longer euro cylinders and/or offset cylinders. 62mm KxT/P (31mm x 31mm) and 31mm Half Cylinder is standard for 1-3/4" doors.
5. Cylinders INCLUDED with all applications (collection turnpiece attached).
6. Strike not included.
7. Custom drilling available.
8. Euro offset cylinders and custom lengths available upon request.

MULTI POINT SETS - AMERICAN

**1-3/4" x 10" MULTI POINT SETS**

- 8864** Lever Amer M/P Set - ENTRANCE
- 8865** Lever Amer M/P Set - FULL DUMMY
- 8866** Lever Amer M/P Set - ACTIVE DUMMY
- 8867** Lever Amer M/P Set - PATIO

Above sets include 8957 Lever

2-1/2" x 12" MULTI POINT SETS

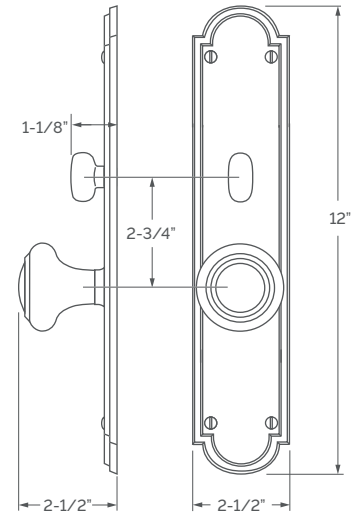
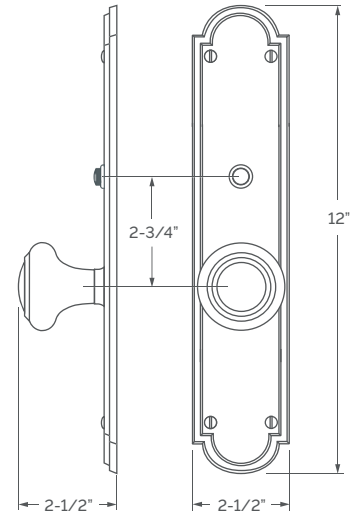
- 8870** Lever Amer M/P Set - ENTRANCE
- 8871** Lever Amer M/P Set - FULL DUMMY
- 8872** Lever Amer M/P Set - ACTIVE DUMMY
- 8873** Lever Amer M/P Set - PATIO

Above sets include 8957 Lever

REMEMBER

1. Complete our M/P Check Sheet (Form 500).
2. Standard M/P American cylinder applications: LEVER LOW- 92mm spacing.
3. Specify LEVER HIGH or custom c-c spacing if required.
4. All levers are interchangeable.
5. American cylinder included with Entrance function only.
6. Strike not included.
7. Custom drilling available.

INTERIOR ESCUTCHEON SETS - KNOB



1-3/4" x 10" ESCUTCHEON SETS

- 8824** Knob Escutcheon Set - PASSAGE
- 8825** Knob Escutcheon Set - LATCH x M/B
- 8826** Knob Escutcheon Set - FULL DUMMY
- 8827** Knob Escutcheon Set - HALF DUMMY

Above sets include 8950 Knob

2-1/2" x 12" ESCUTCHEON SETS

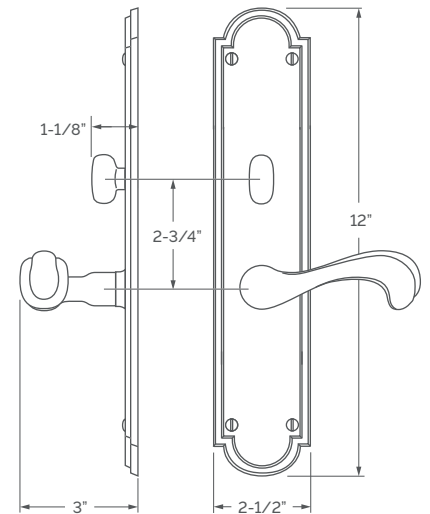
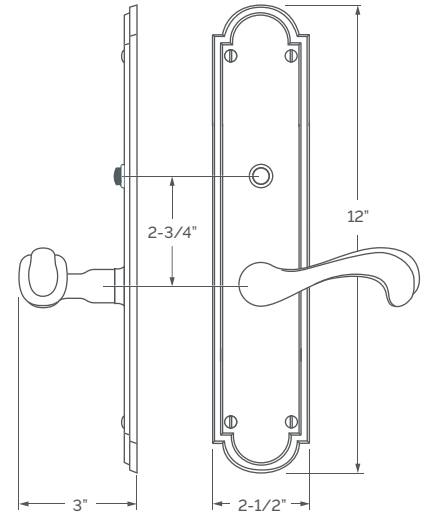
- 8832** Knob Escutcheon Set - PASSAGE
- 8833** Knob Escutcheon Set - PRIVACY
- 8835** Knob Escutcheon Set - LATCH x M/B
- 8837** Knob Escutcheon Set - FULL DUMMY
- 8838** Knob Escutcheon Set - HALF DUMMY

Above sets include 8950 Knob

REMEMBER

1. All knobs are interchangeable.
2. FULL LIP strikes are standard. Specify SUB "T" strike, if required.
3. Standard backset is 2-3/8" for tubular. If required, specify 2-3/4".
4. Custom drilling available.
5. Combination strike and faceplate available for latch x mortise bolt function.
6. Oval slot head wood screws (4/ea) are standard on the escutcheons.

INTERIOR ESCUTCHEON SETS - LEVER



1-3/4" x 10" ESCUTCHEON SETS

- 8828** Lever Escutcheon Set - PASSAGE
- 8829** Lever Escutcheon Set - LATCH x M/B
- 8830** Lever Escutcheon Set - FULL DUMMY
- 8831** Lever Escutcheon Set - HALF DUMMY

Above sets include 8957 Lever

2-1/2" x 12" ESCUTCHEON SETS

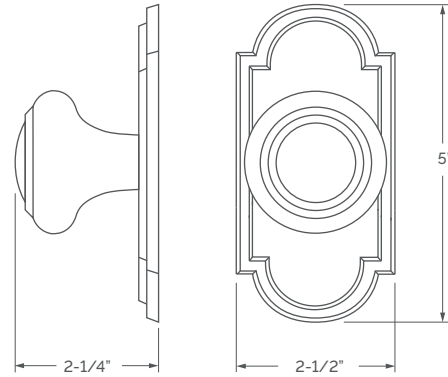
- 8842** Lever Escutcheon Set - PASSAGE
- 8843** Lever Escutcheon Set - PRIVACY
- 8845** Lever Escutcheon Set - LATCH x M/B
- 8847** Lever Escutcheon Set - FULL DUMMY
- 8848** Lever Escutcheon Set - HALF DUMMY

Above sets include 8957 Lever

REMEMBER

1. All levers are interchangeable.
2. FULL LIP strikes are standard. Specify SUB "T" strike, if required.
3. Standard backset is 2-3/8" for tubular. If required, specify 2-3/4".
4. Custom drilling available.
5. Combination strike and faceplate available for latch x mortise bolt function.
6. Oval slot head wood screws (4/ea) are standard on the escutcheons.

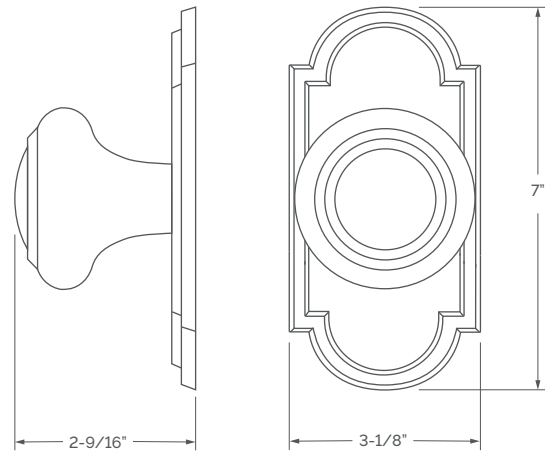
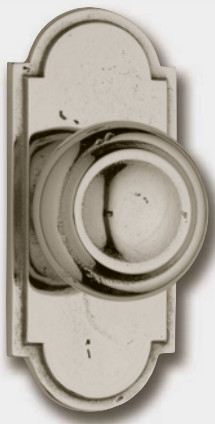
INTERIOR KNOB SETS



2-1/2" x 5" ROSE SETS

- 8902** Knob Set - PASSAGE
- 8907** Knob Set - PRIVACY
- 8914** Knob Set - FULL DUMMY
- 8918** Knob Set - HALF DUMMY

- 8950** Knob Only 2-1/4"
- 8961** Rose Only 2-1/2" x 5"

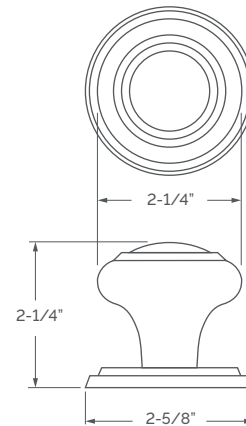


3-1/8" x 7" ROSE SETS

- 8904** Knob Set - PASSAGE
- 8909** Knob Set - PRIVACY
- 8916** Knob Set - FULL DUMMY
- 8920** Knob Set - HALF DUMMY

- 8952** Knob Only 3"
- 8963** Rose Only 3-1/8" x 7"

INTERIOR KNOB SETS



2-5/8" ROSE SETS

8905 Knob Set - PASSAGE

8910 Knob Set - PRIVACY

8917 Knob Set - FULL DUMMY

8921 Knob Set - HALF DUMMY

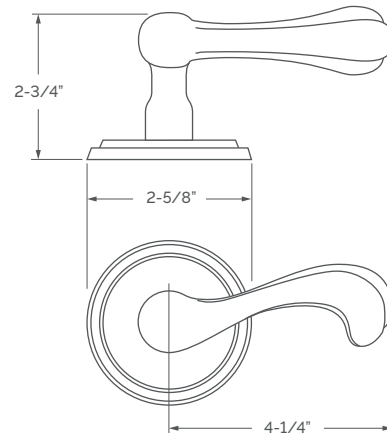
8950 Knob Only 2-1/4"

8962 Rose Only 2-5/8"

REMEMBER

1. Specify pre-drilled adapter (#9749) for 2-1/8" pre-drilled doors, which requires the large rose.
2. Consider utilizing an interior mortise lock for quality installations.
3. All knobs and levers are interchangeable.
4. FULL LIP strikes are standard. Specify SUB "T" strike, if required.
5. Standard backset is 2-3/8" for tubular. If required, specify 2-3/4".
6. Lever strength latches will be supplied with all large knobs.

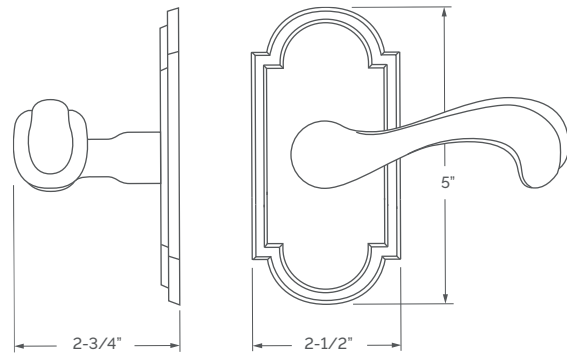
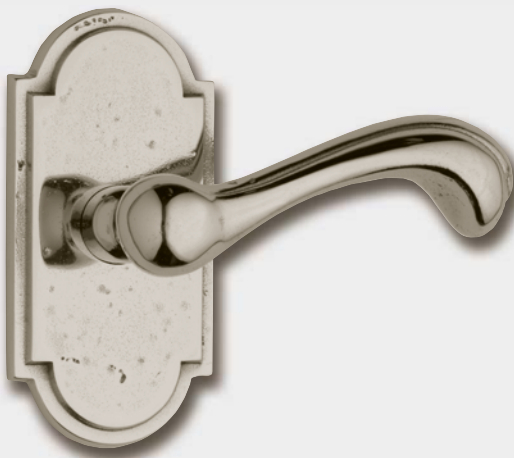
INTERIOR LEVER SETS



2-5/8" ROSE SETS

- 8933** Lever Set - PASSAGE
- 8935** Lever Set - PRIVACY
- 8937** Lever Set - FULL DUMMY
- 8939** Lever Set - HALF DUMMY

- 8957** Lever Only 4-1/4"
- 8962** Rose Only 2-5/8"

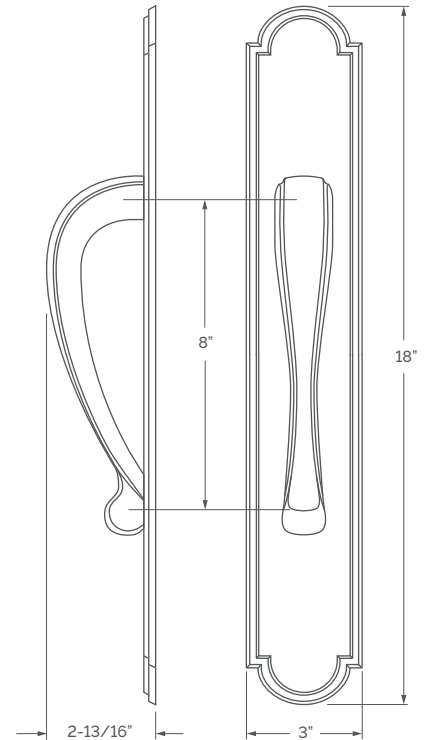


2-1/2" X 5" ROSE SETS

- 8932** Lever Set - PASSAGE
- 8934** Lever Set - PRIVACY
- 8936** Lever Set - FULL DUMMY
- 8938** Lever Set - HALF DUMMY

- 8957** Lever Only 4-1/4"
- 8961** Rose Only 2-1/2" x 5"

PULLS, PUSH PLATES & PULL PLATES



APPLICATIONS

8889 Pull 8" c-c

8885 Pull Plate 2-1/2" x 12" (P) 8889

8886 Pull Plate 3" x 18" (P) 8889

8881 Push Plate 1-3/4" x 10"

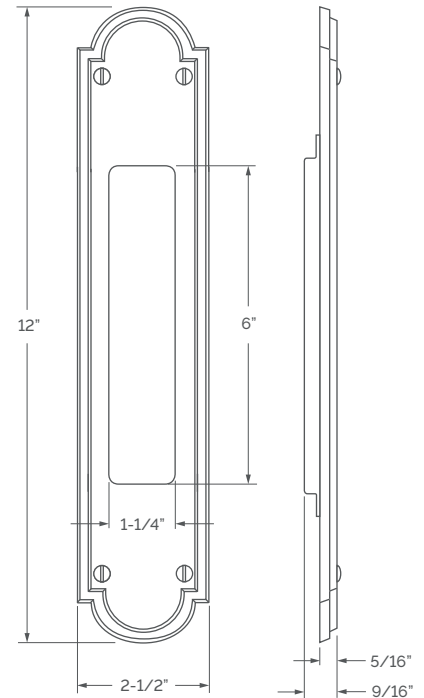
8882 Push Plate 2-1/2" x 12"

8883 Push Plate 3" x 18"

REMEMBER

1. Back-to-back applications available for pulls and pull plates. Specify #9958 for BTB and #9959 for Single Sided mounting.
2. Custom drilling available.

FLUSH PULLS



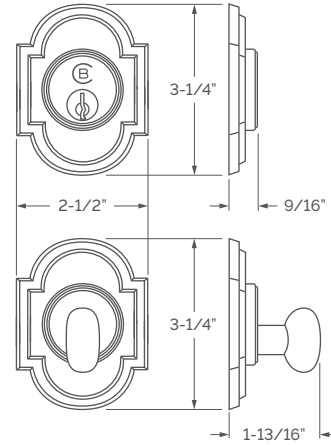
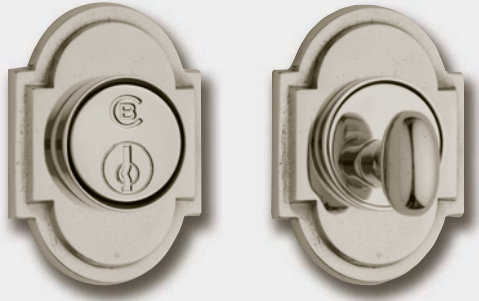
APPLICATIONS

- 8892** Flush Pull Only
- 8893** Flush Pull w/ Turnpiece
- 8894** Flush Pull w/ Cylinder Hole
- 8895** Flush Pull Set - PASSAGE w/ 9730
- 8896** Flush Pull Set - PASSAGE w/ Accurate 2000
- 8897** Flush Pull Set - PRIVACY w/ Accurate 2002

REMEMBER

1. Standard backset is 2-1/2" for mortise. If required, specify 2-3/4" backset.
2. Verify jamb clearance for escutcheon projection.
3. Edge pulls available - Standard or Mortise.
4. Custom drilling available.
5. Oval slot head wood screws (4/ea) are standard on the escutcheons.

AUXILIARY DEADBOLTS



APPLICATIONS

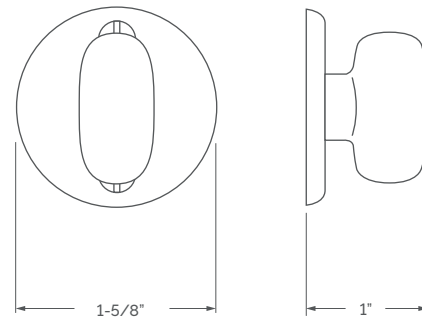
8970 Auxiliary Deadbolt Set (KEY x TP) 2-1/2" x 3-1/4"

8971 Auxiliary Deadbolt Set (KEY x KEY) 2-1/2" x 3-1/4"

REMEMBER

1. Should you require key alike, please specify.
2. Standard backset is 2-3/8". If required, specify 2-3/4".

MORTISE BOLTS



APPLICATIONS

8975 Complete Mortise Bolt Set

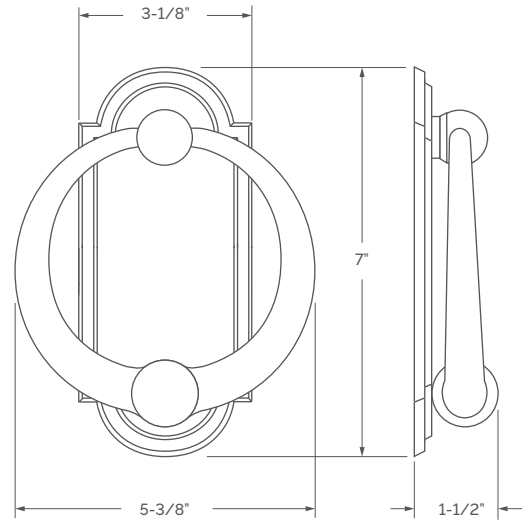
8977 Turnpiece and Plate w/ Mortise Bolt

8979 Turnpiece and Plate

REMEMBER

1. Standard backset is 2-3/8". If required, specify 2-3/4".

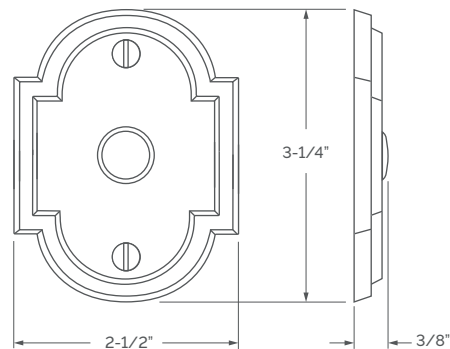
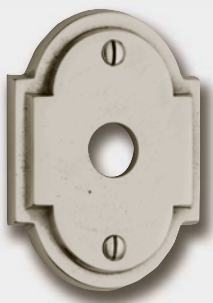
DOOR KNOCKER



APPLICATIONS

8980 Door Knocker

DOORBELL ESCUTCHEON



APPLICATIONS

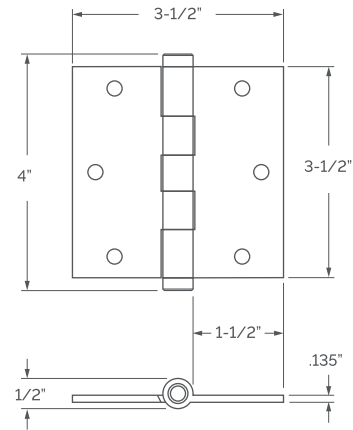
8983 Doorbell Escutcheon

REMEMBER

1. Doorbell button NOT included.



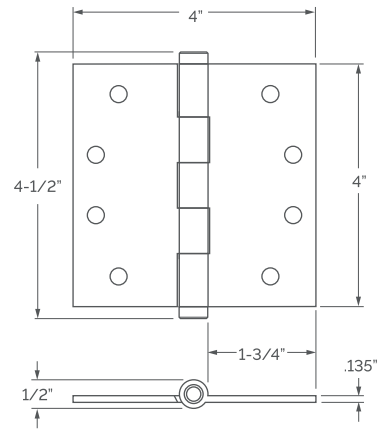
ARCHITECTURAL GRADE HINGES



HINGE - STANDARD 3-1/2" x 3-1/2"

- 9601 Hinge - Steeple Finial
- 9602 Hinge - Button Finial
- 9603 Hinge - Scepter Finial
- 9604 Hinge - Ball Finial
- 9605 Hinge - Cathedral Finial
- 9606 Hinge - Tradition Finial

- 9608 Hinge - Urn Finial
- 9609 Hinge - Après Finial
- 16900 Hinge - Coin Finial
- 16901 Hinge - Cross Hatch Finial
- 16902 Hinge - Rope Finial



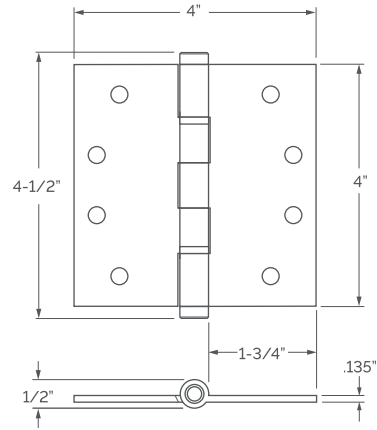
HINGE - STANDARD 4" x 4"

- 9611 Hinge - Steeple Finial
- 9612 Hinge - Button Finial
- 9613 Hinge - Scepter Finial
- 9614 Hinge - Ball Finial
- 9615 Hinge - Cathedral Finial
- 9616 Hinge - Tradition Finial

- 9618 Hinge - Urn Finial
- 9619 Hinge - Après Finial
- 16910 Hinge - Coin Finial
- 16911 Hinge - Cross Hatch Finial
- 16912 Hinge - Rope Finial



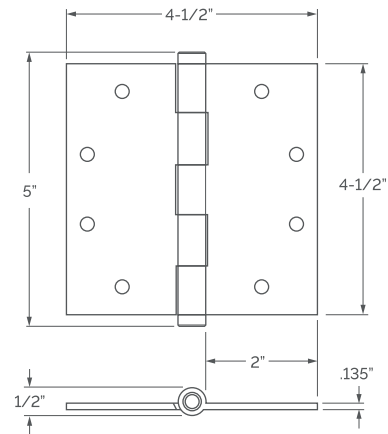
ARCHITECTURAL GRADE HINGES



HINGE - BALL BEARING 4" x 4"

- 9621 Hinge - Steeple Finial
- 9622 Hinge - Button Finial
- 9623 Hinge - Scepter Finial
- 9624 Hinge - Ball Finial
- 9625 Hinge - Cathedral Finial
- 9626 Hinge - Tradition Finial

- 9628 Hinge - Urn Finial
- 9629 Hinge - Après Finial
- 16920 Hinge - Coin Finial
- 16921 Hinge - Cross Hatch Finial
- 16922 Hinge - Rope Finial



HINGE - STANDARD 4-1/2" x 4-1/2"

- 16801 Hinge - Steeple Finial
- 16802 Hinge - Button Finial
- 16803 Hinge - Scepter Finial
- 16804 Hinge - Ball Finial
- 16805 Hinge - Cathedral Finial
- 16806 Hinge - Tradition Finial

- 16808 Hinge - Urn Finial
- 16809 Hinge - Après Finial
- 16810 Hinge - Coin Finial
- 16811 Hinge - Cross Hatch Finial
- 16812 Hinge - Rope Finial



Button



Scepter



Steeple



Cathedral

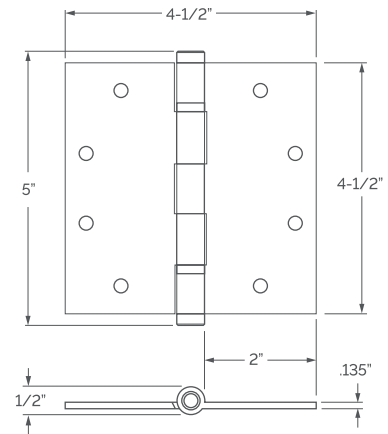


Ball



Rope

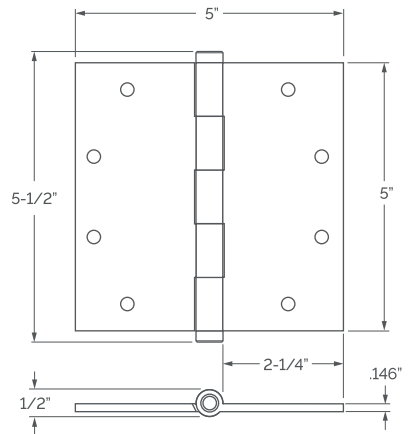
ARCHITECTURAL GRADE HINGES



HINGE - BALL BEARING 4-1/2" x 4-1/2"

- 9631** Hinge - Steeple Finial
- 9632** Hinge - Button Finial
- 9633** Hinge - Scepter Finial
- 9634** Hinge - Ball Finial
- 9635** Hinge - Cathedral Finial
- 9636** Hinge - Tradition Finial

- 9638** Hinge - Urn Finial
- 9639** Hinge - Après Finial
- 16930** Hinge - Coin Finial
- 16931** Hinge - Cross Hatch Finial
- 16932** Hinge - Rope Finial



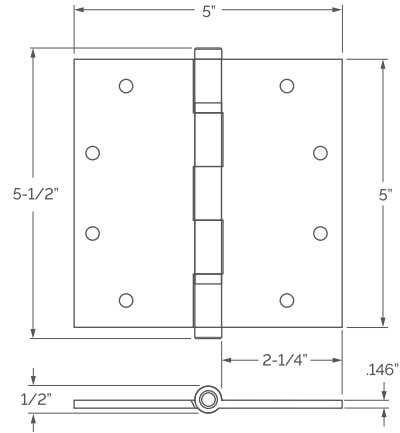
HINGE - STANDARD 5" x 5"

- 16821** Hinge - Steeple Finial
- 16822** Hinge - Button Finial
- 16823** Hinge - Scepter Finial
- 16824** Hinge - Ball Finial
- 16825** Hinge - Cathedral Finial
- 16826** Hinge - Tradition Finial

- 16828** Hinge - Urn Finial
- 16829** Hinge - Après Finial
- 16830** Hinge - Coin Finial
- 16831** Hinge - Cross Hatch Finial
- 16832** Hinge - Rope Finial



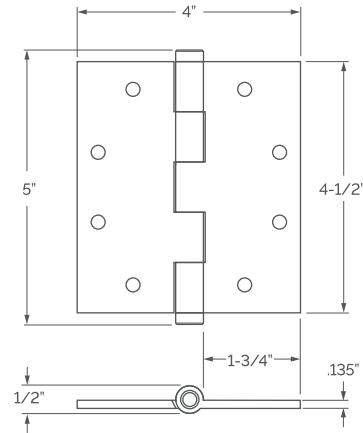
ARCHITECTURAL GRADE HINGES



HINGE - BALL BEARING 5" x 5"

- 16841** Hinge - Steeple Finial
- 16842** Hinge - Button Finial
- 16843** Hinge - Scepter Finial
- 16844** Hinge - Ball Finial
- 16845** Hinge - Cathedral Finial
- 16846** Hinge - Tradition Finial

- 16848** Hinge - Urn Finial
- 16849** Hinge - Après Finial
- 16850** Hinge - Coin Finial
- 16851** Hinge - Cross Hatch Finial
- 16852** Hinge - Rope Finial



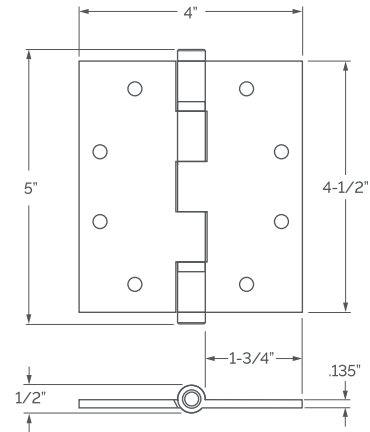
HINGE - STANDARD 4-1/2" x 4"

- 16861** Hinge - Steeple Finial
- 16862** Hinge - Button Finial
- 16863** Hinge - Scepter Finial
- 16864** Hinge - Ball Finial
- 16865** Hinge - Cathedral Finial
- 16866** Hinge - Tradition Finial

- 16868** Hinge - Urn Finial
- 16869** Hinge - Après Finial
- 16870** Hinge - Coin Finial
- 16871** Hinge - Cross Hatch Finial
- 16872** Hinge - Rope Finial



ARCHITECTURAL GRADE HINGES



HINGE - BALL BEARING 4-1/2" x 4"

16881 Hinge - Steeple Finial

16882 Hinge - Button Finial

16883 Hinge - Scepter Finial

16884 Hinge - Ball Finial

16885 Hinge - Cathedral Finial

16886 Hinge - Tradition Finial

16888 Hinge - Urn Finial

16889 Hinge - Après Finial

16890 Hinge - Coin Finial

16891 Hinge - Cross Hatch Finial

16892 Hinge - Rope Finial

REMEMBER

1. NRP Hinges are available. Upcharge will apply.
2. Contact us for your larger or custom size hinges.
3. Architectural hinges can be modified for radius corners.



Après



Cross Hatch



Urn

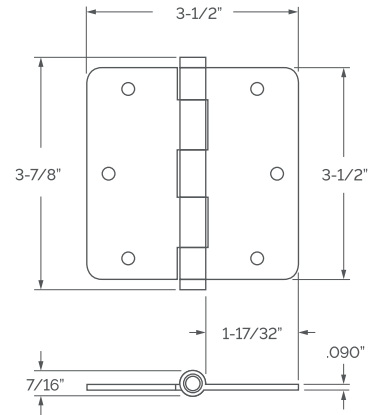


Coin



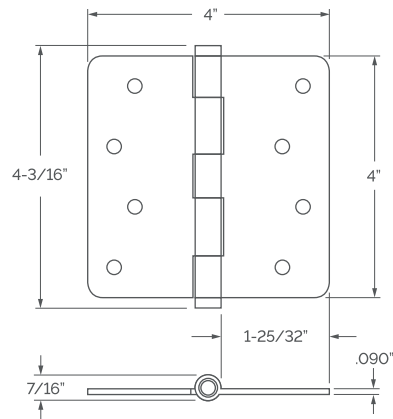
Tradition

RESIDENTIAL GRADE HINGES



HINGE - STANDARD (1/4" RADIUS) 3-1/2" x 3-1/2"

- 9653 Hinge - Button Finial
- 9655 Hinge - Ball Finial
- 9657 Hinge - Urn Finial



HINGE - STANDARD (1/4" RADIUS) 4" x 4"

- 9663 Hinge - Button Finial
- 9665 Hinge - Ball Finial
- 9667 Hinge - Urn Finial



Button

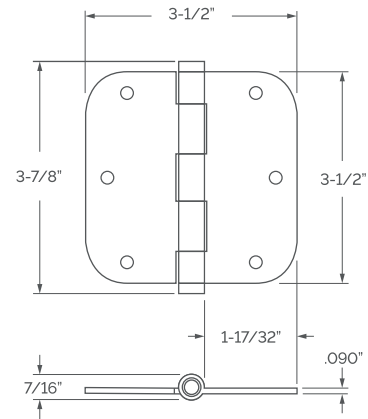


Urn



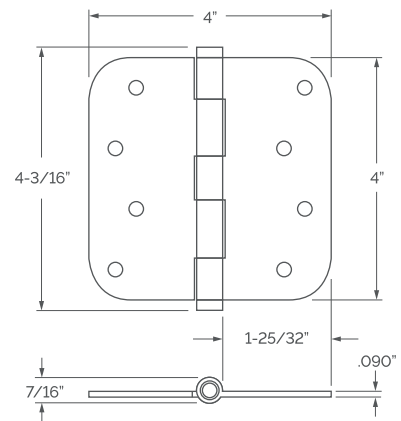
Ball

RESIDENTIAL GRADE HINGES



HINGE - STANDARD (5/8" RADIUS) 3-1/2" x 3-1/2"

- 9673** Hinge - Button Finial
- 9675** Hinge - Ball Finial
- 9677** Hinge - Urn Finial



HINGE - STANDARD (5/8" RADIUS) 4" x 4"

- 9683** Hinge - Button Finial
- 9685** Hinge - Ball Finial
- 9687** Hinge - Urn Finial



Button



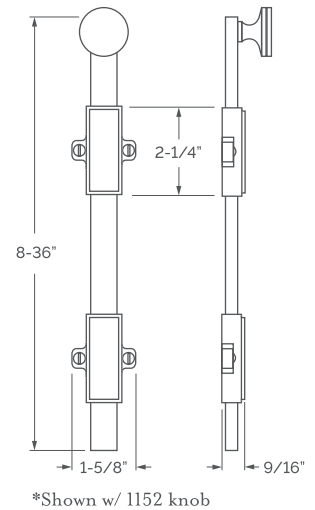
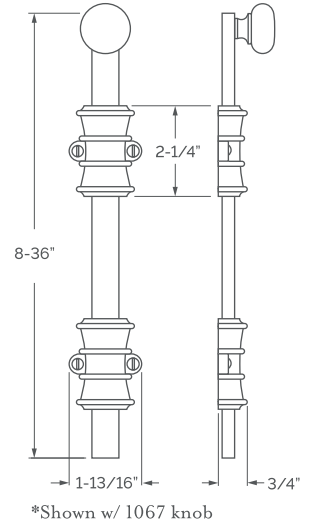
Urn



Ball



SURFACE BOLTS

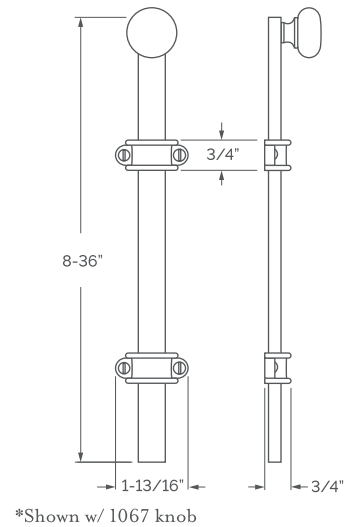
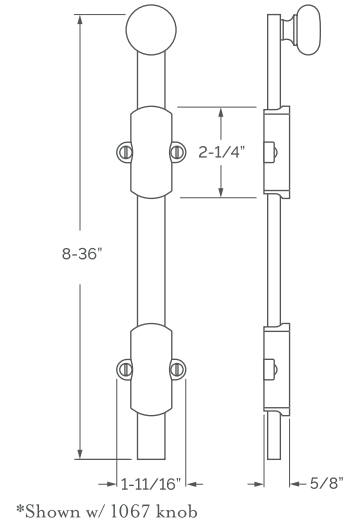
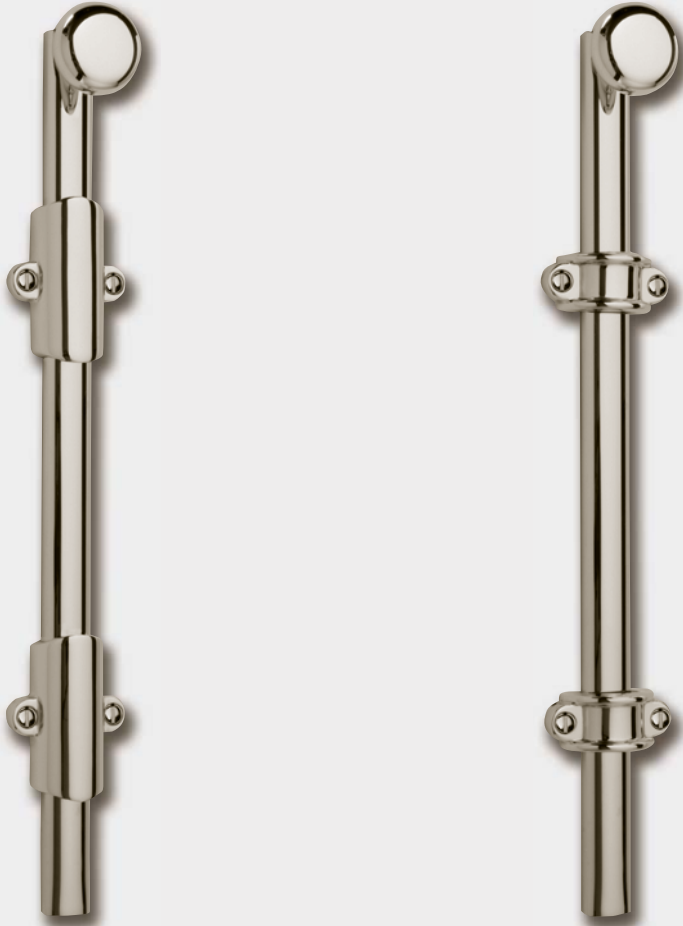


TRADITIONAL GUIDE STRAIGHT	5/8" OFFSET	TRANSITIONAL GUIDE STRAIGHT	5/8" OFFSET	
10008	10608	10108	10708	Surface Bolt 8"
10012	10612	10112	10712	Surface Bolt 12"
10016	10616	10116	10716	Surface Bolt 16"
10018	10618	10118	10718	Surface Bolt 18"
10024	10624	10124	10724	Surface Bolt 24"
10030	10630	10130	10730	Surface Bolt 30"
10036	10636	10136	10736	Surface Bolt 36"

REMEMBER

1. If you require a custom size, we can make any length up to 72" or longer.
2. We provide a UNIVERSAL and MORTISE strike with each set, advise if you require an angle strike.
3. Extended lip strikes or custom strikes available, provide details of your requirement.
4. If necessary we can modify the overall length of the guide as required.
5. Custom offset dimensions are available, contact us to discuss your requirements.

SURFACE BOLTS



**PLAIN GUIDE
STRAIGHT**

- 10208
- 10212
- 10216
- 10218
- 10224
- 10230
- 10236

5/8" OFFSET

- 10808
- 10812
- 10816
- 10818
- 10824
- 10830
- 10836

**SHORT GUIDE
STRAIGHT**

- 10308
- 10312
- 10316
- 10318
- 10324
- 10330
- 10336

5/8" OFFSET

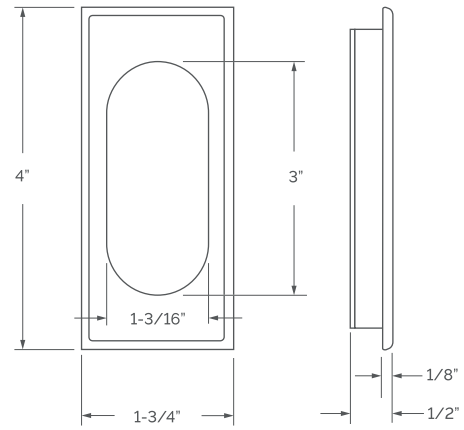
- 10908
- 10912
- 10916
- 10918
- 10924
- 10930
- 10936

- Surface Bolt 8"
- Surface Bolt 12"
- Surface Bolt 16"
- Surface Bolt 18"
- Surface Bolt 24"
- Surface Bolt 30"
- Surface Bolt 36"

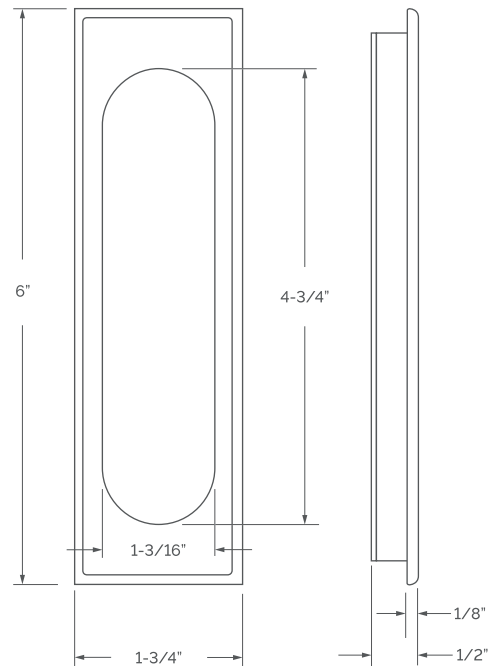
REMEMBER

1. If you require a custom size, we can make any length up to 72" or longer.
2. We provide a UNIVERSAL and MORTISE strike with each set, advise if you require an angle strike.
3. Extended lip strikes or custom strikes available, provide details of your requirement.
4. If necessary we can modify the overall length of the guide as required.
5. Custom offset dimensions are available, contact us to discuss your requirements.

FLUSH PULLS

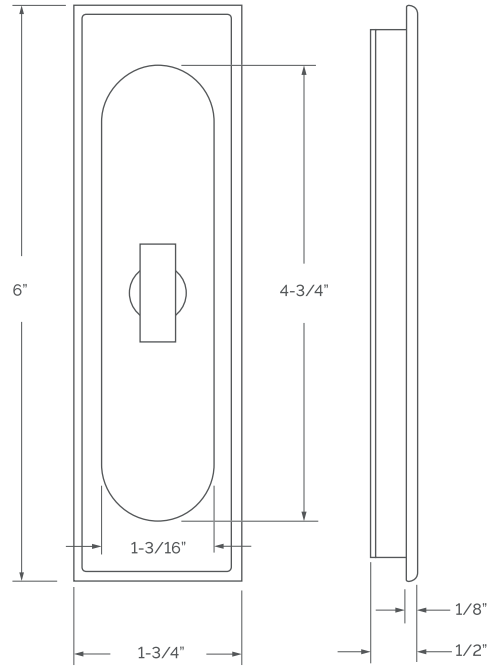


9710 Rectangular Flush Pull

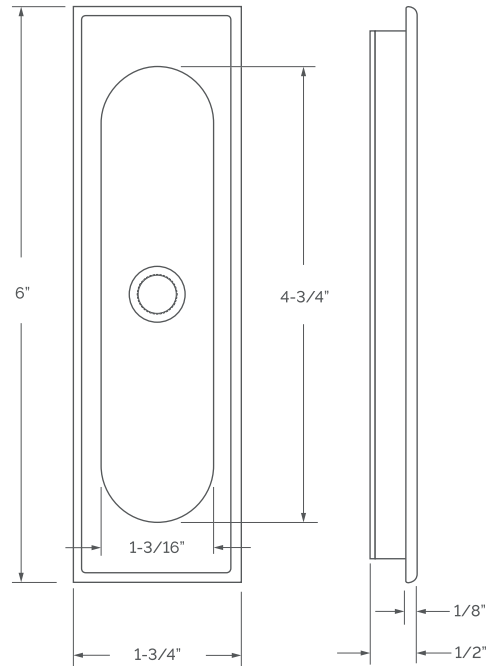


9711 Flush Pull

FLUSH PULLS

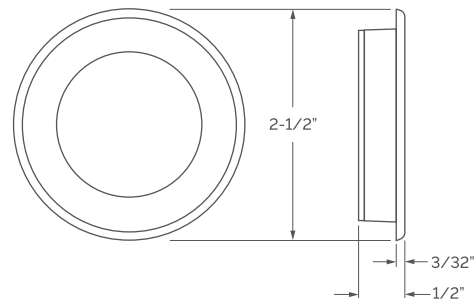


9712 Flush Pull w/ Turnpiece

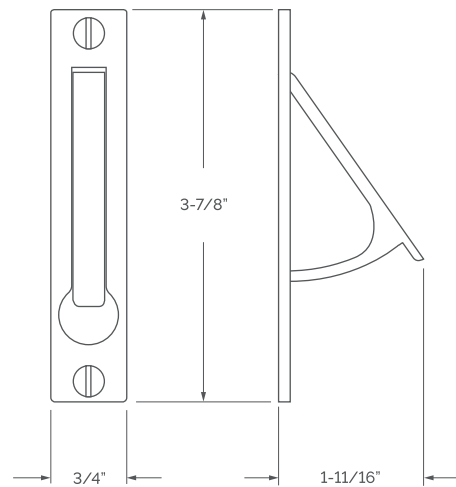


9713 Flush Pull w/ Emergency Egress Button

FLUSH PULLS



9715 Round Flush Pull

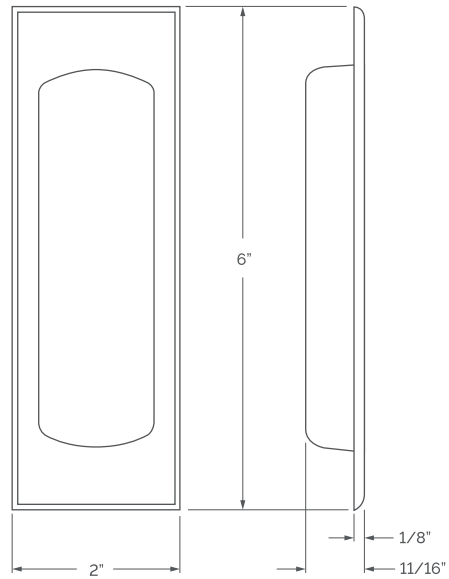


9730 Edge Pull

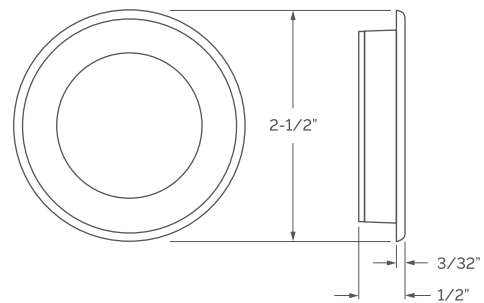
REMEMBER

1. Verify jamb clearance for flush pull projection.
2. Edge pulls available - Standard or Mortise.
3. Flush pull locks and edge pulls must be ordered separately.

FLUSH PULLS



9720 Rectangular Flush Pull

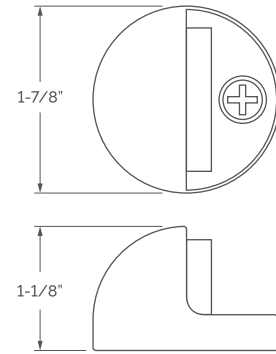


9725 Round Flush Pull

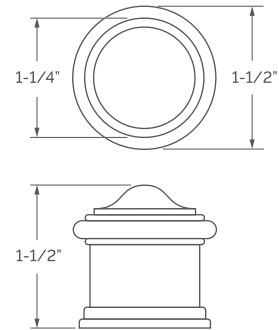
REMEMBER

1. Verify jamb clearance for flush pull projection.
2. Edge pulls available - Standard or Mortise.
3. Flush pull locks and edge pulls must be ordered separately.

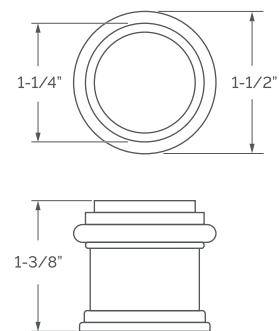
DOOR STOPS



9740 Dome Door Stop



9741 Hutter Door Stop

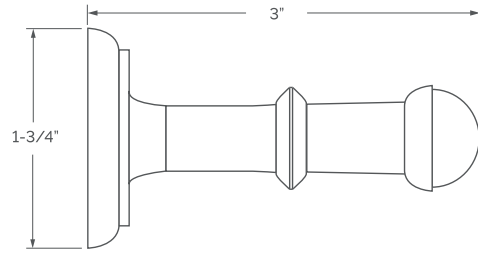


9743 Fifth Avenue Door Stop

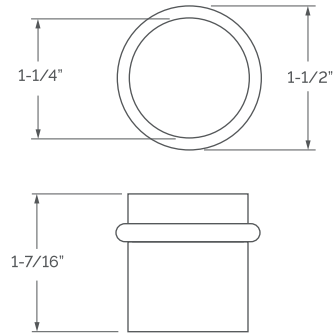
REMEMBER

- Should you require a modified height on the floor door stop - contact us.

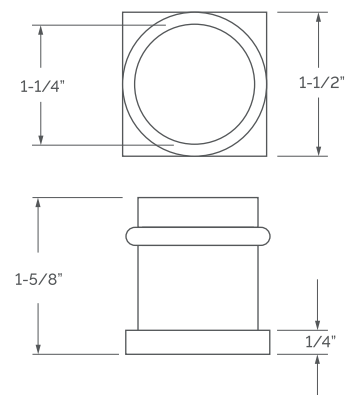
DOOR STOPS



9745 Wall Mount Door Stop



17172 Après Round Door Stop

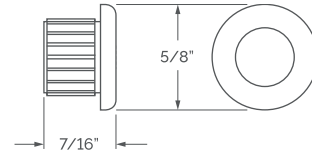
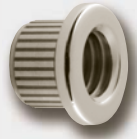


17183 Après Square Door Stop

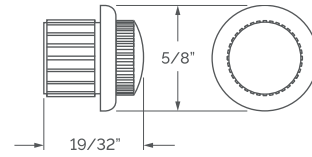
REMEMBER

1. Should you require a modified projection on the wall door stop - contact us.
2. Should you require a modified height on the floor door stop - contact us.

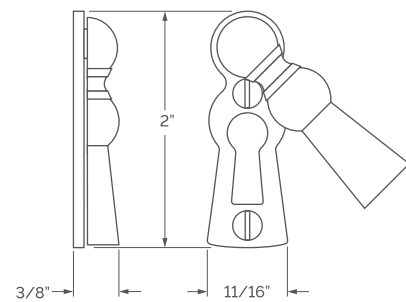
EMERGENCY EGRESS



9936 Egress Cover

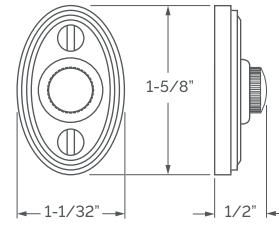


9937 EE Trim w/ Cover

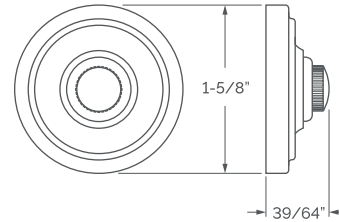


9938 Key Hole Swing Cover

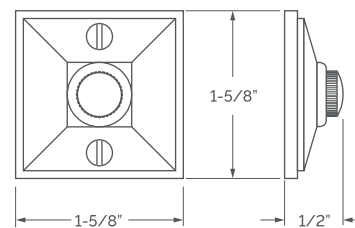
EMERGENCY EGRESS



9939 EE Oval Trim w/ Cover

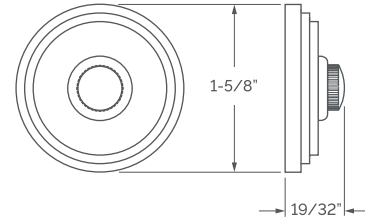


9940 Round EE Trim w/ Cover

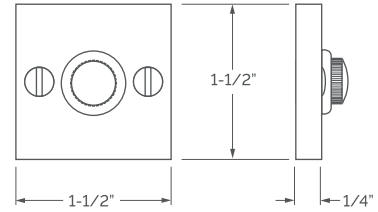


9941 Fifth Avenue Pyramid EE Trim w/ Button

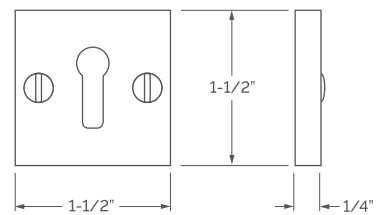
EMERGENCY EGRESS



9945 Fifth Avenue Round EE Trim w/ Button

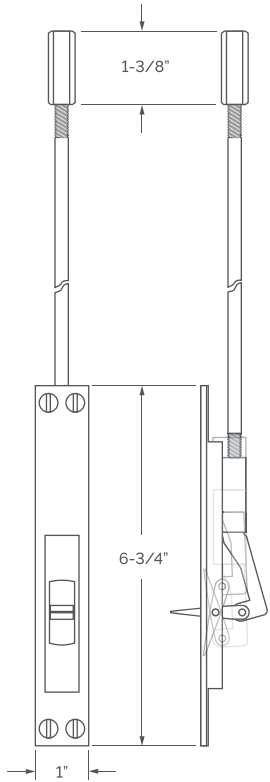
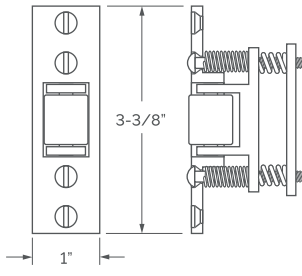


17164 Après EE Trim w/ Cover



17166 Bit Key Escutcheon

OTHER



ROLLER LATCH

9954 Heavy Duty Roller Latch

FLUSH BOLTS

- 9955** Flush Bolt 12"
- 9956** Flush Bolt 18"
- 9957** Flush Bolt 24"

REMEMBER
1. Custom size flush bolts available upon request - contact us.



JUNE 2021

CATALOG

DOOR HARDWARE SUPPLEMENT



SIGNATURE FINISHES

SOLID BRASS LEVEL 1

AB Antique Brass
ABB Antique Burnished Brass
ARB Antique Revere Brass
BB Burnished Brass
BZ Oil Rubbed Bronze
KN Kensington
PA Polished Antique
PANL Polished Antique No Lacquer
PB Polished Brass
PBNL Polished Brass No Lacquer
RB Revere Brass
RT Revere Tarnished
SB Satin Brass
SBNL Satin Brass No Lacquer
STN Satin Tarnished
TN Tarnished
WB Weathered Brass
WZ Weathered Bronze

SOLID BRASS LEVEL 2

ABN Antique Burnished Nickel
ARN Antique Revere Nickel
AN Antique Nickel
BN Burnished Nickel
MB Matte Black
PC Polished Chrome
PN Polished Nickel
RN Revere Nickel
SN Satin Nickel
WA Weathered Antique Nickel
WC Weathered Copper
WN Weathered Nickel

SOLID BRASS LEVEL 3

APS Antique Polished Silver
ARS Antique Revere Silver
PS Polished Silver
RS Revere Silver
SS Satin Silver

PRICE ON REQUEST

PG Polished Gold
SG Satin Gold

SOLID BRONZE FINISHES

AI Aged Iron
AS Aged Silver
AZ Aged Bronze
MB Matte Black
NB Natural Bronze
ST Sterling
Custom finishes available upon request.

CONTACT US

Plant Address 2051 Stoneman Circle, Lakewood, NY 14750

Mailing Address P.O. Box 3563, Jamestown, NY 14702-3563

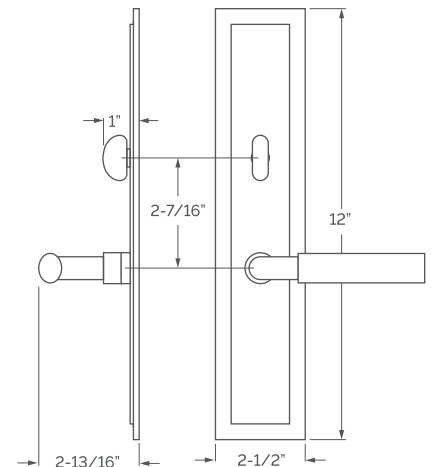
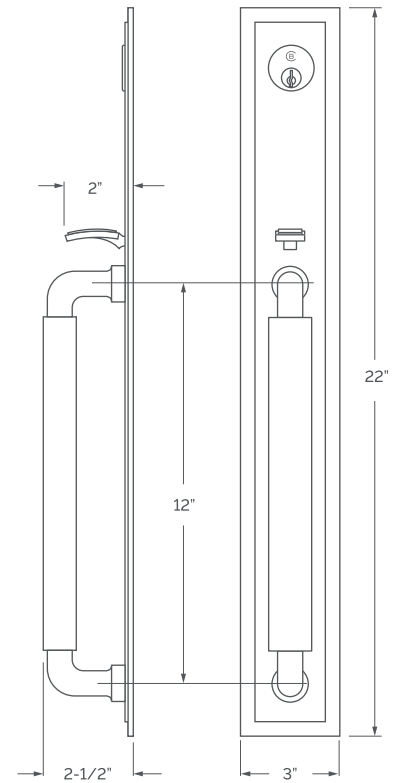
Phone (800) 869.3173 / (716) 763.1400

Fax (800) 215.2019 / (716) 763.1500

Email sales@classic-brass.com

Web classic-brass.com

ENTRANCE HANDLE SETS



APPLICATIONS

17500 Entrance Handle Set - Lever

17502 Entrance Handle Set - T/P x T/P

17505 Entrance Handle Set - Lever - FULL DUMMY

17507 Entrance Handle Set - T/P x T/P - FULL DUMMY

Above sets include 17710 Lever

17501 Entrance Handle Set - Knob

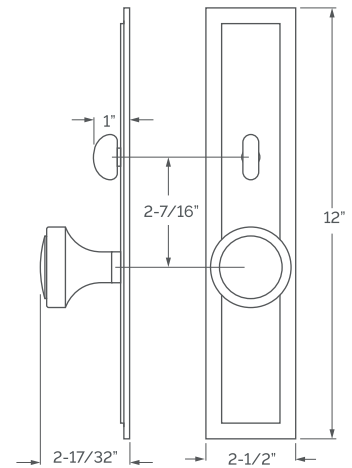
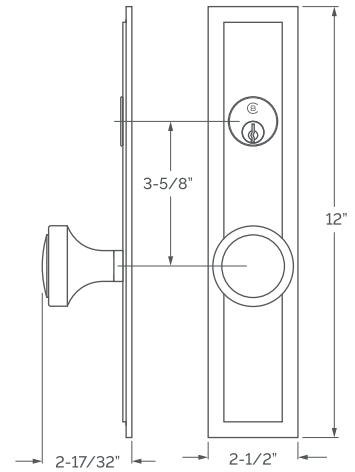
17506 Entrance Handle Set - Knob - FULL DUMMY

Above sets include 17610 Knob

REMEMBER

1. Standard mortise lock is 2-1/2" EE. Specify 2-3/4" if required.
2. All knobs and levers are interchangeable.
3. A door thickness greater than 1-3/4" will require a #9901 thick door kit.
4. Custom escutcheon sizes and drilling available.
5. Concealed undermount attachment is standard on the exterior and interior escutcheons.

ENTRANCE KNOB SETS



APPLICATIONS

17520 Knob Mortise Entrance Set

17521 Knob Mortise Entrance Set - FULL DUMMY

17522 Knob Latch x Auxiliary Deadbolt Set

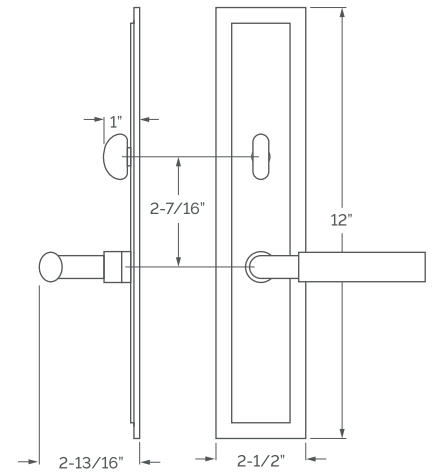
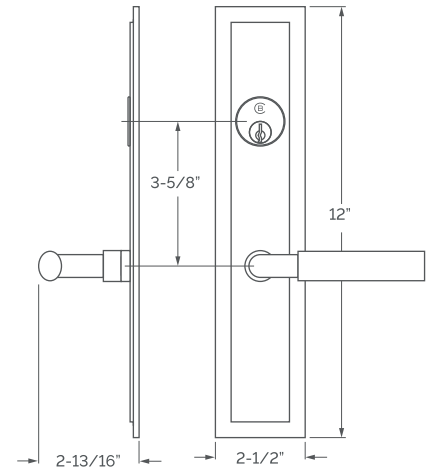
17523 Knob Latch x Auxiliary Deadbolt Set - FULL DUMMY

Above sets include 17610 Knob

REMEMBER

1. Standard mortise lock is 2-1/2" EE. Specify 2-3/4" if required.
2. Standard latch x auxiliary deadbolt: 5-1/2" c-c spacing and 2-3/8" backset. If required, specify 2-3/4" backset.
3. All knobs are interchangeable.
4. A door thickness greater than 1-3/4" will require a #9901 thick door kit for mortise application.
5. Custom escutcheon sizes and drilling available.
6. Concealed undermount attachment is standard on the exterior and interior escutcheons.

ENTRANCE LEVER SETS



APPLICATIONS

17510 Lever Mortise Entrance Set

17511 Lever Mortise Entrance Set - FULL DUMMY

17512 Lever Latch x Auxiliary Deadbolt Set

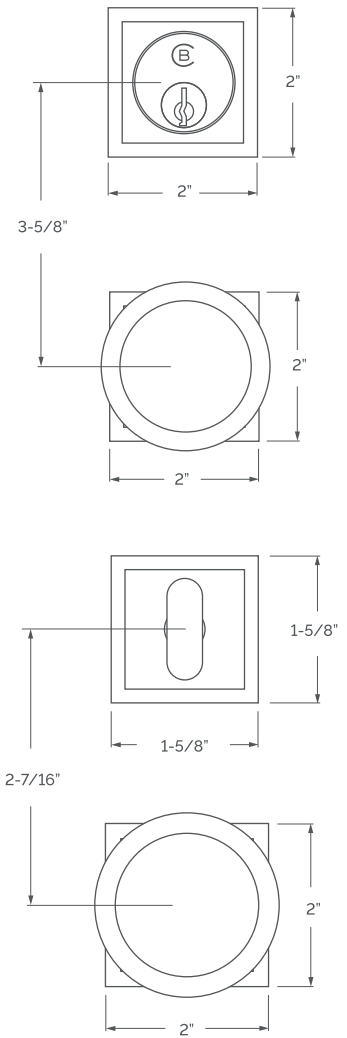
17513 Lever Latch x Auxiliary Deadbolt Set - FULL DUMMY

Above sets include 17710 Lever

REMEMBER

1. Standard mortise lock is 2-1/2" EE. Specify 2-3/4" if required.
2. Standard latch x auxiliary deadbolt: 5-1/2" c-c spacing and 2-3/8" backset. If required, specify 2-3/4" backset.
3. All levers are interchangeable.
4. A door thickness greater than 1-3/4" will require a #9901 thick door kit for mortise application.
5. Custom escutcheon sizes and drilling available.
6. Concealed undermount attachment is standard on the exterior and interior escutcheons.

ENTRANCE KNOB SETS - SECTIONAL



APPLICATIONS

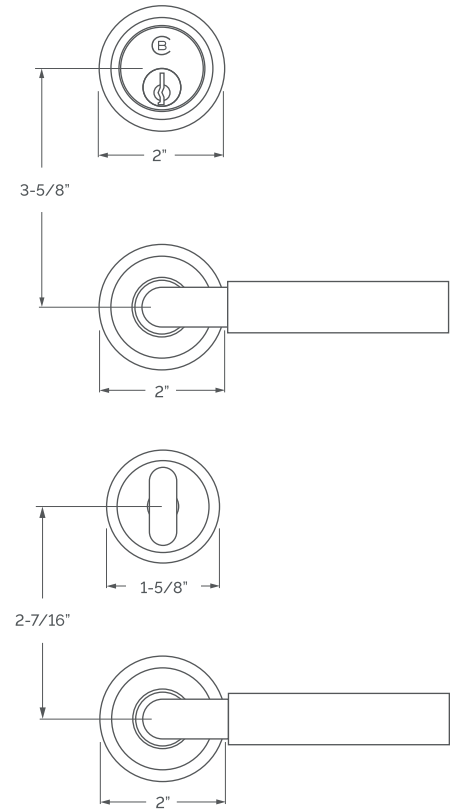
- 17524** Knob Mortise Entrance Sectional Set
- 17525** Knob Latch x Auxiliary Deadbolt Sectional Set
- 17526** Knob Sectional Set - FULL DUMMY

Above sets include 17610 Knob and 17676 Rose

REMEMBER

1. Standard mortise lock is 2-1/2" EE. Specify 2-3/4" if required.
2. Standard latch x auxiliary deadbolt: 5-1/2" c-c spacing and 2-3/8" backset. If required, specify 2-3/4" backset.
3. All knobs are interchangeable.
4. A door thickness greater than 1-3/4" will require a #9901 thick door kit for mortise application.
5. Undermount is standard. Surface mount oval slot head screws available if specified.

ENTRANCE LEVER SETS - SECTIONAL



APPLICATIONS

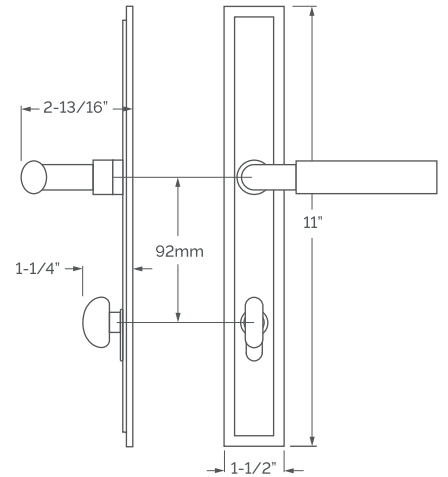
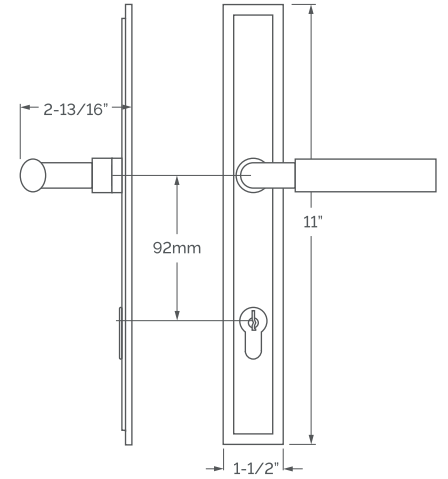
- 17516** Lever Mortise Entrance Sectional Set
- 17518** Lever Latch x Auxiliary Deadbolt Sectional Set
- 17519** Lever Sectional Set - FULL DUMMY

Above sets include 17710 Lever and 17678 Rose

REMEMBER

1. Standard mortise lock is 2-1/2" EE. Specify 2-3/4" if required.
2. Standard latch x auxiliary deadbolt: 5-1/2" c-c spacing and 2-3/8" backset. If required, specify 2-3/4" backset.
3. All levers are interchangeable.
4. A door thickness greater than 1-3/4" will require a #9901 thick door kit for mortise application.
5. Undermount is standard. Surface mount oval slot head screws available if specified.

MULTI POINT SETS - EURO



1-1/2" x 11" MULTI POINT SETS

- 17550** Lever Euro M/P Set - ENTRANCE
- 17551** Lever Euro M/P Set - FULL DUMMY
- 17552** Lever Euro M/P Set - ACTIVE DUMMY
- 17553** Lever Euro M/P Set - PATIO

Above sets include 17710 Lever

2" x 11" MULTI POINT SETS

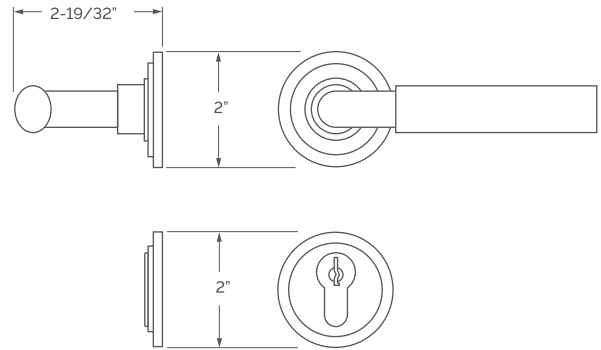
- 17556** Lever Euro M/P Set - ENTRANCE
- 17557** Lever Euro M/P Set - FULL DUMMY
- 17558** Lever Euro M/P Set - ACTIVE DUMMY
- 17559** Lever Euro M/P Set - PATIO

Above sets include 17710 Lever

REMEMBER

1. Complete our M/P Check Sheet (Form 500).
2. Standard euro profile application is LEVER HIGH – 92mm (hub-cylinder spacing).
3. All levers are interchangeable.
4. Door thickness greater than 1-3/4" will require longer euro cylinders and/or offset cylinders. 62mm KxT/P (31mm x 31mm) and 31mm Half Cylinder is standard for 1-3/4" doors.
5. Cylinders INCLUDED with all applications (collection turnpiece attached).
6. Strike not included.
7. Custom escutcheon sizes and drilling available.
8. Euro offset cylinders and custom lengths available upon request.

MULTI POINT SETS - EURO SECTIONAL



APPLICATIONS

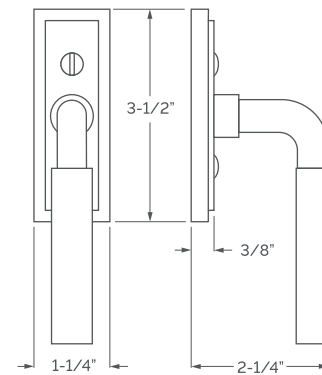
- 17560** Lever Euro M/P Sectional Set - ENTRANCE
17561 Lever Euro M/P Sectional Set - FULL DUMMY
17562 Lever Euro M/P Sectional Set - ACTIVE DUMMY
17563 Lever Euro M/P Sectional Set - PATIO

Above sets include 17710 Lever

REMEMBER

1. VERIFY door prep will be fully covered by sectional trim.
2. Standard euro profile application is LEVER HIGH – 92mm (hub-cylinder spacing).
3. Door thickness greater than 1-3/4" will require longer euro cylinders and/or offset cylinders. 62mm KxT/P (31mm x 31mm) and 31mm Half Cylinder is standard for 1-3/4" doors.
4. Cylinders INCLUDED with all applications (collection turnpiece attached).
5. Custom rose and cylinder collar sizes available.
6. Strike not included.
7. Euro offset cylinders and custom lengths available upon request.

MULTI POINT WINDOW OPERATOR



APPLICATIONS

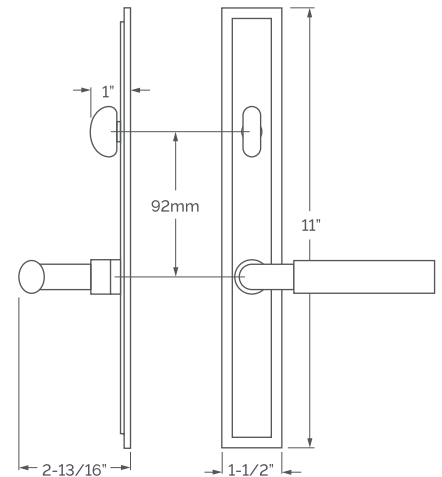
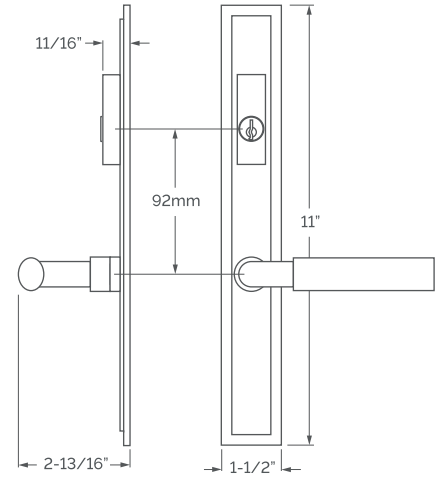
- 17565** M/P Window Trim Set

Above sets include 17711 Lever

REMEMBER

1. 7mm spindle is standard...must supply required projection from underside of escutcheon.
2. 43mm screw center to center – M5 oval slot head screws are standard.
3. Escutcheon width is a critical dimension, please verify.
4. Includes detent mechanism.

MULTI POINT SETS - AMERICAN



1-1/2" x 11" MULTI POINT SETS

- 17570** Lever Amer M/P Set - ENTRANCE
- 17571** Lever Amer M/P Set - FULL DUMMY
- 17572** Lever Amer M/P Set - ACTIVE DUMMY
- 17573** Lever Amer M/P Set - PATIO

Above sets include 17710 Lever

2" x 11" MULTI POINT SETS

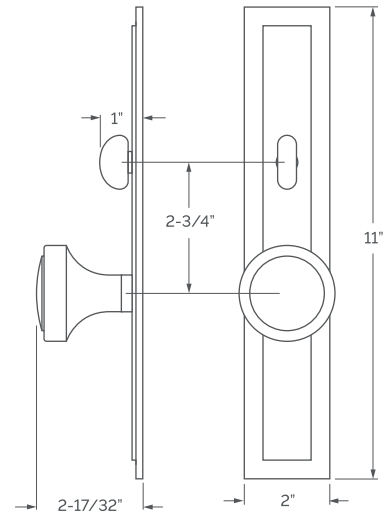
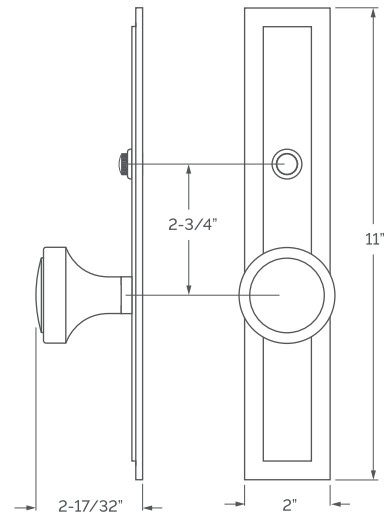
- 17576** Lever Amer M/P Set - ENTRANCE
- 17577** Lever Amer M/P Set - FULL DUMMY
- 17578** Lever Amer M/P Set - ACTIVE DUMMY
- 17579** Lever Amer M/P Set - PATIO

Above sets include 17710 Lever

REMEMBER

1. Complete our M/P Check Sheet (Form 500).
2. Standard M/P American cylinder applications: LEVER LOW- 92mm spacing.
3. Specify LEVER HIGH or custom c-c spacing if required.
4. All levers are interchangeable.
5. American cylinder included with Entrance function only.
6. Strike not included.
7. Custom escutcheon sizes and drilling available.

INTERIOR ESCUTCHEON SETS - KNOB



APPLICATIONS

- 17534** Knob Escutcheon Set - PASSAGE
- 17535** Knob Escutcheon Set - LATCH x M/B
- 17536** Knob Escutcheon Set - FULL DUMMY
- 17537** Knob Escutcheon Set - HALF DUMMY

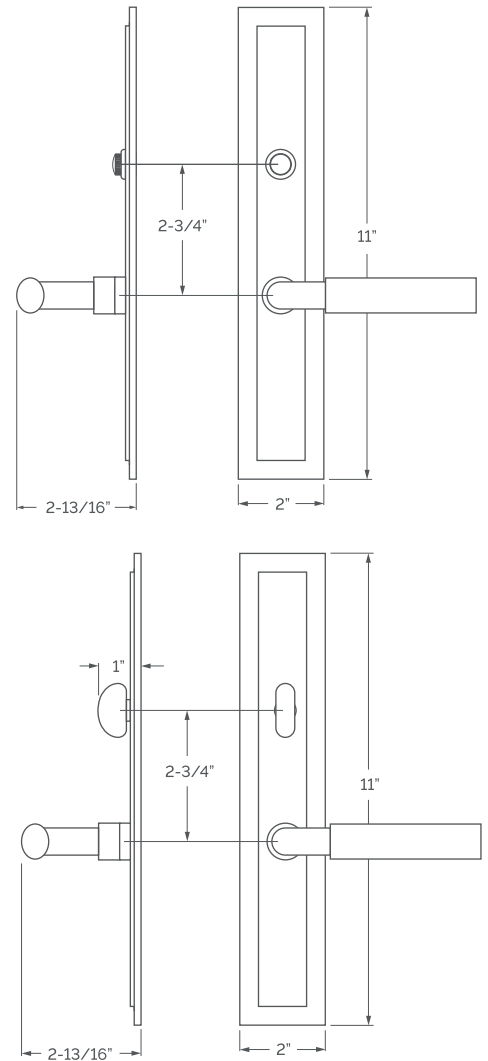
- 17538** Knob Escutcheon Mortise Set - PASSAGE
- 17539** Knob Escutcheon Mortise Set - PRIVACY

Above sets include 17610 Knob

REMEMBER

1. Specify interior mortise lock for quality installations.
2. All knobs and levers are interchangeable.
3. FULL LIP strikes are standard. Specify SUB "T" strike, if required.
4. Standard backset is 2-3/8" for tubular. If required, specify 2-3/4".
Standard backset is 2-1/2" for mortise. If required, specify 2-3/4".
5. A door thickness greater than 1-3/4" will require a #9900 thick door kit for mortise application.

INTERIOR ESCUTCHEON SETS - LEVER



APPLICATIONS

- 17527** Lever Escutcheon Set - PASSAGE
- 17528** Lever Escutcheon Set - LATCH x M/B
- 17529** Lever Escutcheon Set - FULL DUMMY
- 17530** Lever Escutcheon Set - HALF DUMMY

- 17531** Lever Escutcheon Mortise Set - PASSAGE
- 17532** Lever Escutcheon Mortise Set - PRIVACY

Above sets include 17710 Lever

REMEMBER

6. Custom escutcheon sizes and drilling available.
7. Combination strike and faceplate available for latch x mortise bolt function.
8. Concealed undermount attachment is standard on the exterior and interior escutcheons.

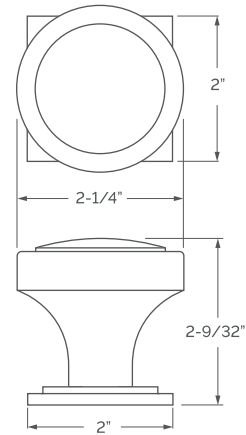
INTERIOR KNOB SETS



2" ROSE SETS

- 17612** Knob Set - PASSAGE
- 17613** Knob Set - PRIVACY
- 17614** Knob Set - SECTIONAL PRIVACY
- 17615** Knob Set - FULL DUMMY
- 17616** Knob Set - HALF DUMMY

- 17617** Knob Mortise Set - PASSAGE
- 17618** Knob Mortise Set - PRIVACY



2-1/2" ROSE SETS

- 17622** Knob Set - PASSAGE
- 17623** Knob Set - PRIVACY
- 17624** Knob Set - SECTIONAL PRIVACY
- 17625** Knob Set - FULL DUMMY
- 17626** Knob Set - HALF DUMMY

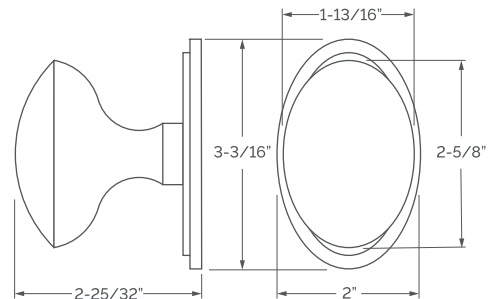
- 17610** Knob Only 2-1/4"
- 17676** Square Rose Only 2"
- 17677** Square Rose Only 2-1/2"



3-3/16" x 2" ROSE SETS

- 17632** Oval Knob Set - PASSAGE
- 17633** Oval Knob Set - PRIVACY
- 17634** Oval Knob Set - SECTIONAL PRIVACY
- 17635** Oval Knob Set - FULL DUMMY
- 17636** Oval Knob Set - HALF DUMMY

- 17637** Oval Knob Mortise Set - PASSAGE
- 17638** Oval Knob Mortise Set - PRIVACY

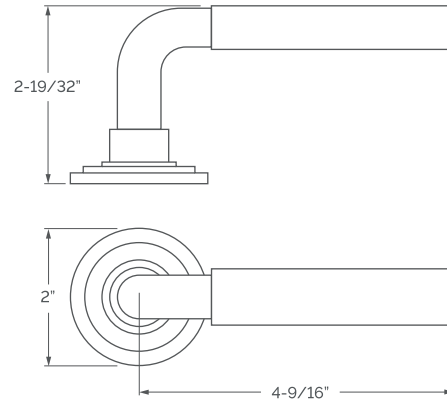


4" x 2-1/2" ROSE SETS

- 17642** Oval Knob Set - PASSAGE
- 17643** Oval Knob Set - PRIVACY
- 17644** Oval Knob Set - SECTIONAL PRIVACY
- 17645** Oval Knob Set - FULL DUMMY
- 17646** Oval Knob Set - HALF DUMMY

- 17630** Oval Knob Only 2-5/8" x 1-13/16"
- 17682** Oval Rose Only 3-3/16" x 2"
- 17684** Oval Rose Only 4" x 2-1/2"

INTERIOR LEVER SETS



2" ROSE SETS

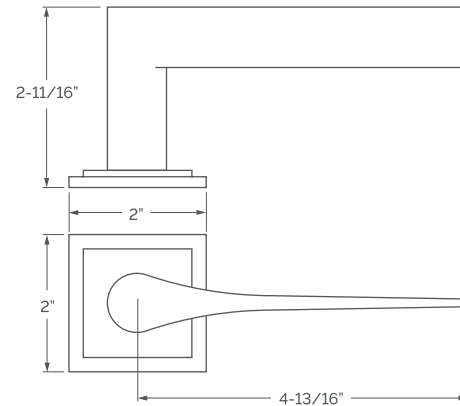
- 17712** Oval Lever Set - PASSAGE
- 17713** Oval Lever Set - PRIVACY
- 17714** Oval Lever Set - SECTIONAL PRIVACY
- 17715** Oval Lever Set - FULL DUMMY
- 17716** Oval Lever Set - HALF DUMMY

- 17717** Oval Lever Mortise Set - PASSAGE
- 17718** Oval Lever Mortise Set - PRIVACY

2-1/2" ROSE SETS

- 17722** Oval Lever Set - PASSAGE
- 17723** Oval Lever Set - PRIVACY
- 17724** Oval Lever Set - SECTIONAL PRIVACY
- 17725** Oval Lever Set - FULL DUMMY
- 17726** Oval Lever Set - HALF DUMMY

- 17710** Oval Lever Only 4-9/16"
- 17678** Rose Only 2"
- 17679** Rose Only 2-1/2"



2" ROSE SETS

- 17732** Lever Set - PASSAGE
- 17733** Lever Set - PRIVACY
- 17734** Lever Set - SECTIONAL PRIVACY
- 17735** Lever Set - FULL DUMMY
- 17736** Lever Set - HALF DUMMY

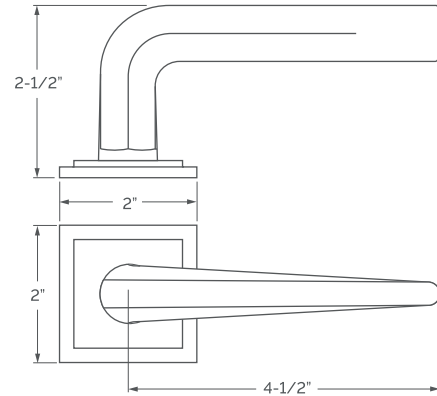
- 17737** Lever Mortise Set - PASSAGE
- 17738** Lever Mortise Set - PRIVACY

2-1/2" ROSE SETS

- 17742** Lever Set - PASSAGE
- 17743** Lever Set - PRIVACY
- 17744** Lever Set - SECTIONAL PRIVACY
- 17745** Lever Set - FULL DUMMY
- 17746** Lever Set - HALF DUMMY

- 17730** Lever Only 4-13/16"
- 17676** Square Rose Only 2"
- 17677** Square Rose Only 2-1/2"

INTERIOR LEVER SETS



2" ROSE SETS

- 17752** Lever Set - PASSAGE
- 17753** Lever Set - PRIVACY
- 17754** Lever Set - SECTIONAL PRIVACY
- 17755** Lever Set - FULL DUMMY
- 17756** Lever Set - HALF DUMMY

- 17757** Lever Mortise Set - PASSAGE
- 17758** Lever Mortise Set - PRIVACY

2-1/2" ROSE SETS

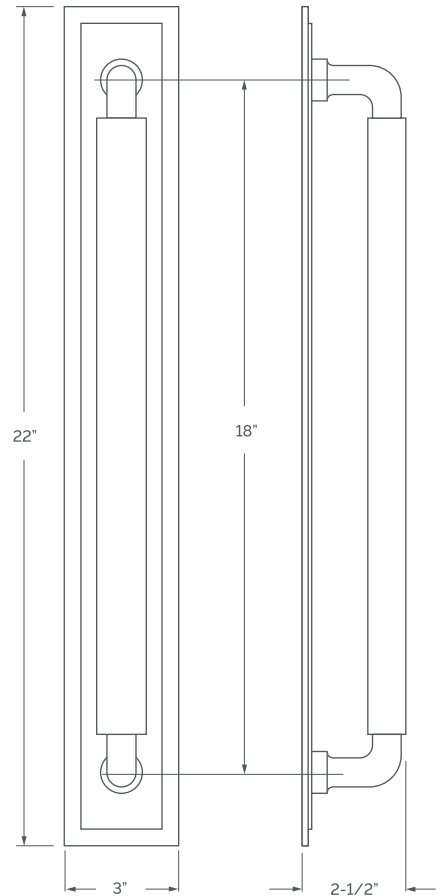
- 17762** Lever Set - PASSAGE
- 17763** Lever Set - PRIVACY
- 17764** Lever Set - SECTIONAL PRIVACY
- 17765** Lever Set - FULL DUMMY
- 17766** Lever Set - HALF DUMMY

- 17750** Lever Only 4-1/2"
- 17676** Square Rose Only 2"
- 17677** Square Rose Only 2-1/2"

REMEMBER

1. Specify pre-drilled adapter (#9749) for 2-1/8" pre-drilled doors, which requires the large rose.
2. Specify interior mortise lock for quality installations.
3. All knobs and levers are interchangeable.
4. FULL LIP strikes are standard. Specify SUB "T" strike, if required.
5. Standard backset is 2-3/8" for tubular. If required, specify 2-3/4".
Standard backset is 2-1/2" for mortise. If required, specify 2-3/4".
6. A door thickness greater than 1-3/4" will require a #9900 thick door kit for mortise application.
7. Combination strike and faceplate available for sectional tubular privacy function.

PULLS, PUSH PLATES & PULL PLATES



APPLICATIONS

17588 Pull 12" c-c

17589 Pull 18" c-c

17582 Pull w/ Rose (P) 17588 (R) 17676 2"

17583 Pull Plate 3" x 22" (P) 17589

17580 Push Plate 2-1/2" x 12"

17581 Push Plate 3" x 22"

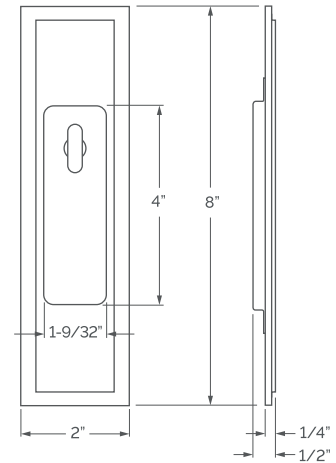
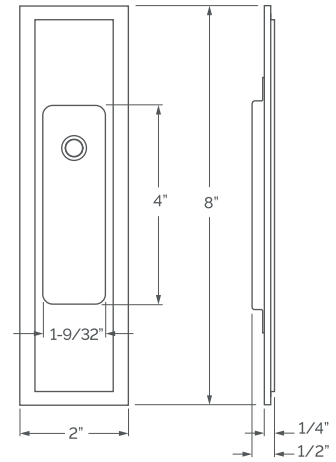
17590 Complete Set of Back-to-Back Pulls 12" c-c

17591 Complete Set of Back-to-Back Pulls 18" c-c

REMEMBER

1. Back-to-back applications available for pulls and pull plates.
Specify #9958 for BTB and #9959 for Single Sided mounting.
2. Custom escutcheon sizes and drilling available.

FLUSH PULLS



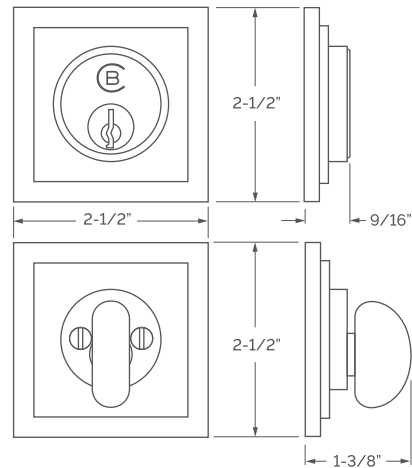
APPLICATIONS

- 17690** Flush Pull Only
- 17691** Flush Pull Set - PASSAGE w/ 9730
- 17692** Flush Pull Set - PASSAGE w/ Accurate 2000
- 17693** Flush Pull Set - PRIVACY w/ Accurate 2002
- 17694** Flush Pull Set - ENTRANCE w/ Accurate 2002

REMEMBER

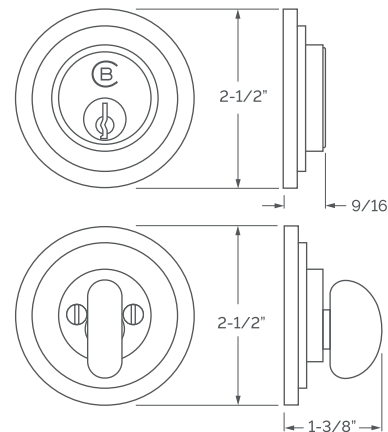
1. Standard backset is 2-1/2" for mortise. If required, specify 2-3/4" backset.
2. Verify jamb clearance for escutcheon projection.
3. Edge pulls available - Standard or Mortise.
4. Custom escutcheon sizes and drilling available.
5. Concealed undermount attachment is standard on the exterior and interior escutcheons.

AUXILIARY DEADBOLTS



APPLICATIONS

- 17650** Square Auxiliary Deadbolt Set (KEY x TP) 2"
17651 Square Auxiliary Deadbolt Set (KEY x KEY) 2"
17652 Square Auxiliary Deadbolt Set (KEY x TP) 2-1/2"
17653 Square Auxiliary Deadbolt Set (KEY x KEY) 2-1/2"



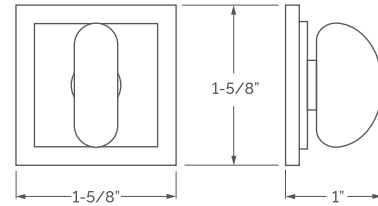
APPLICATIONS

- 17655** Auxiliary Deadbolt Set (KEY x TP) 2"
17656 Auxiliary Deadbolt Set (KEY x KEY) 2"
17657 Auxiliary Deadbolt Set (KEY x TP) 2-1/2"
17658 Auxiliary Deadbolt Set (KEY x KEY) 2-1/2"

REMEMBER

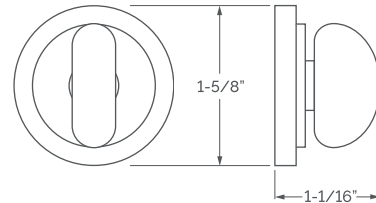
- Should you require key alike, please specify.
- Standard backset is 2-3/8". If required, specify 2-3/4".

MORTISE BOLTS



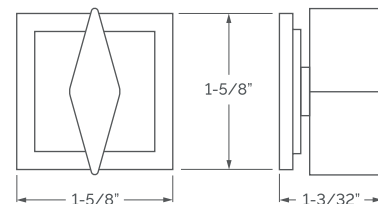
APPLICATIONS

- 17820** Complete Mortise Bolt Set
- 17822** Turnpiece and Plate w/ Mortise Bolt
- 17824** Turnpiece and Plate



APPLICATIONS

- 17830** Complete Mortise Bolt Set
- 17832** Turnpiece and Plate w/ Mortise Bolt
- 17834** Turnpiece and Plate



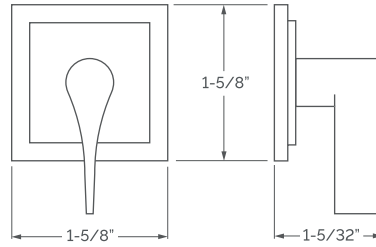
APPLICATIONS

- 17840** Complete Mortise Bolt Set
- 17842** Turnpiece and Plate w/ Mortise Bolt
- 17844** Turnpiece and Plate

REMEMBER

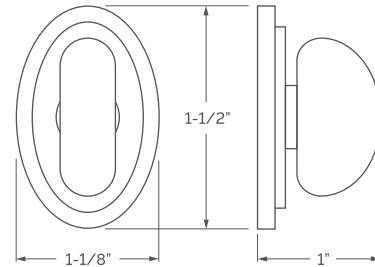
1. Standard backset is 2-3/8". If required specify 2-3/4" backset.

MORTISE BOLTS



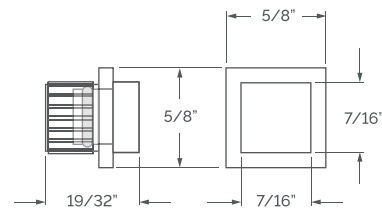
APPLICATIONS

- 17850** Complete Mortise Bolt Set
- 17852** Turnpiece and Plate w/ Mortise Bolt
- 17854** Turnpiece and Plate



APPLICATIONS

- 17860** Complete Oval Mortise Bolt Set
- 17862** Turnpiece and Oval Plate w/ Mortise Bolt
- 17864** Turnpiece and Oval Plate



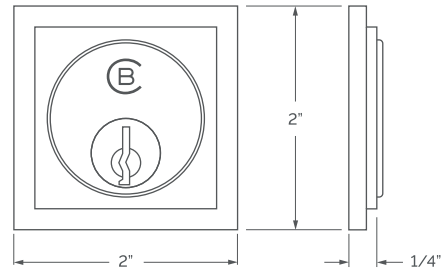
APPLICATIONS

- 17869** Square EE Trim

REMEMBER

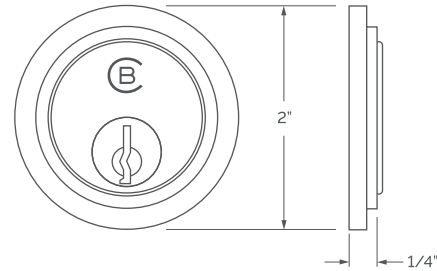
1. Standard backset is 2-3/8". If required specify 2-3/4" backset.

CYLINDER COLLARS



APPLICATIONS

17877 Square Cylinder Collar



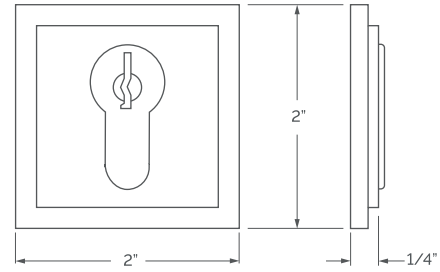
APPLICATIONS

17879 Cylinder Collar

REMEMBER

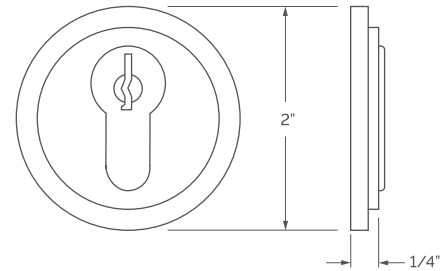
1. Cylinders order separate.

EURO CYLINDER COLLARS



APPLICATIONS

17882 Square Euro Cylinder Collar



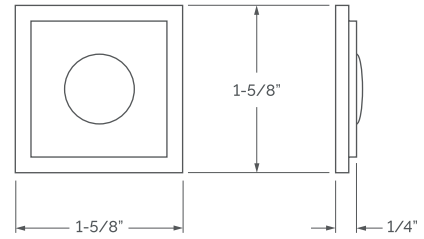
APPLICATIONS

17884 Euro Cylinder Collar

REMEMBER

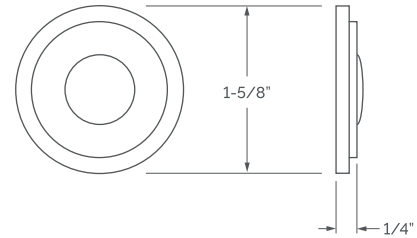
1. Cylinders order separate.

DOORBELL ESCUTCHEON



APPLICATIONS

17892 Square Doorbell Escutcheon



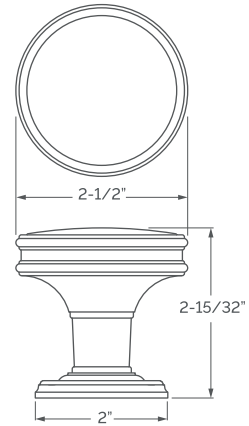
APPLICATIONS

17894 Round Doorbell Escutcheon

REMEMBER

1. Doorbell button NOT included.

INTERIOR KNOB SETS



2" ROSE SETS

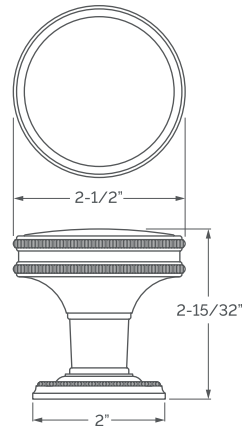
- 14721** Knob Set - PASSAGE
- 14722** Knob Set - PRIVACY
- 14723** Knob Set - SECTIONAL PRIVACY
- 14724** Knob Set - FULL DUMMY
- 14725** Knob Set - HALF DUMMY

- 14728** Knob Mortise Set - PASSAGE
- 14729** Knob Mortise Set - PRIVACY

2-9/16" ROSE SETS

- 14731** Knob Set - PASSAGE
- 14732** Knob Set - PRIVACY
- 14733** Knob Set - SECTIONAL PRIVACY
- 14734** Knob Set - FULL DUMMY
- 14735** Knob Set - HALF DUMMY

- 14720** Knob Only 2-1/2"
- 14080** Rose Only 2"
- 14090** Rose Only 2-9/16"



2" ROSE SETS

- 14741** Double Coin Knob Set - PASSAGE
- 14742** Double Coin Knob Set - PRIVACY
- 14743** Double Coin Knob Set - SECTIONAL PRIVACY
- 14744** Double Coin Knob Set - FULL DUMMY
- 14745** Double Coin Knob Set - HALF DUMMY

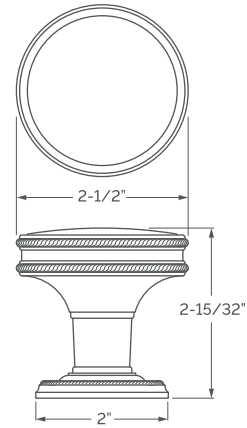
- 14748** Double Coin Knob Mortise Set - PASSAGE
- 14749** Double Coin Knob Mortise Set - PRIVACY

2-9/16" ROSE SETS

- 14751** Double Coin Knob Set - PASSAGE
- 14752** Double Coin Knob Set - PRIVACY
- 14753** Double Coin Knob Set - SECTIONAL PRIVACY
- 14754** Double Coin Knob Set - FULL DUMMY
- 14755** Double Coin Knob Set - HALF DUMMY

- 14740** Double Coin Knob Only 2-1/2"
- 14082** Coin Rose Only 2"
- 14092** Coin Rose Only 2-9/16"

INTERIOR KNOB SETS



2" ROSE SETS

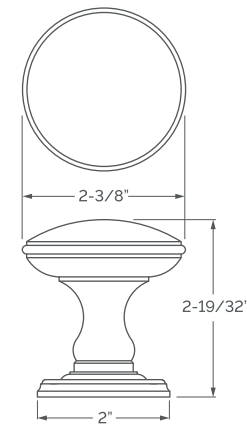
- 14761** Double Rope Knob Set - PASSAGE
- 14762** Double Rope Knob Set - PRIVACY
- 14763** Double Rope Knob Set - SECTIONAL PRIVACY
- 14764** Double Rope Knob Set - FULL DUMMY
- 14765** Double Rope Knob Set - HALF DUMMY

- 14768** Double Rope Knob Mortise Set - PASSAGE
- 14769** Double Rope Knob Mortise Set - PRIVACY

2-9/16" ROSE SETS

- 14771** Double Rope Knob Set - PASSAGE
- 14772** Double Rope Knob Set - PRIVACY
- 14773** Double Rope Knob Set - SECTIONAL PRIVACY
- 14774** Double Rope Knob Set - FULL DUMMY
- 14775** Double Rope Knob Set - HALF DUMMY

- 14760** Double Rope Knob Only 2-1/2"
- 14081** Rope Rose Only 2"
- 14091** Rope Rose Only 2-9/16"



2" ROSE SETS

- 14781** Knob Set - PASSAGE
- 14782** Knob Set - PRIVACY
- 14783** Knob Set - SECTIONAL PRIVACY
- 14784** Knob Set - FULL DUMMY
- 14785** Knob Set - HALF DUMMY

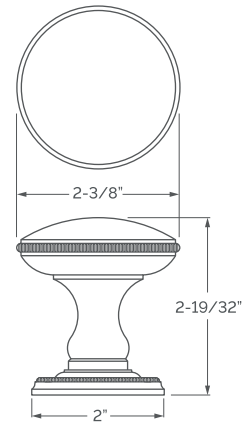
- 14788** Knob Mortise Set - PASSAGE
- 14789** Knob Mortise Set - PRIVACY

2-9/16" ROSE SETS

- 14791** Knob Set - PASSAGE
- 14792** Knob Set - PRIVACY
- 14793** Knob Set - SECTIONAL PRIVACY
- 14794** Knob Set - FULL DUMMY
- 14795** Knob Set - HALF DUMMY

- 14780** Knob Only 2-3/8"
- 14080** Rose Only 2"
- 14090** Rose Only 2-9/16"

INTERIOR KNOB SETS



2" ROSE SETS

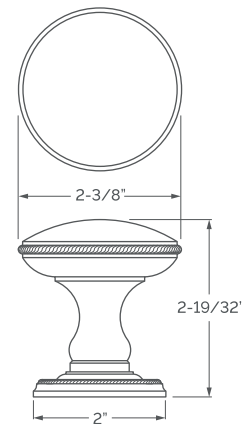
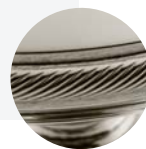
- 15001** Coin Knob Set - PASSAGE
- 15002** Coin Knob Set - PRIVACY
- 15003** Coin Knob Set - SECTIONAL PRIVACY
- 15004** Coin Knob Set - FULL DUMMY
- 15005** Coin Knob Set - HALF DUMMY

- 15008** Coin Knob Mortise Set - PASSAGE
- 15009** Coin Knob Mortise Set - PRIVACY

2-9/16" ROSE SETS

- 15011** Coin Knob Set - PASSAGE
- 15012** Coin Knob Set - PRIVACY
- 15013** Coin Knob Set - SECTIONAL PRIVACY
- 15014** Coin Knob Set - FULL DUMMY
- 15015** Coin Knob Set - HALF DUMMY

- 15000** Coin Knob Only 2-3/8"
- 14082** Coin Rose Only 2"
- 14092** Coin Rose Only 2-9/16"



2" ROSE SETS

- 15021** Rope Knob Set - PASSAGE
- 15022** Rope Knob Set - PRIVACY
- 15023** Rope Knob Set - SECTIONAL PRIVACY
- 15024** Rope Knob Set - FULL DUMMY
- 15025** Rope Knob Set - HALF DUMMY

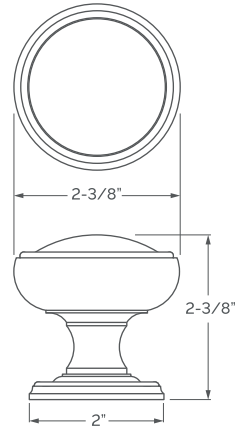
- 15028** Rope Knob Mortise Set - PASSAGE
- 15029** Rope Knob Mortise Set - PRIVACY

2-9/16" ROSE SETS

- 15031** Rope Knob Set - PASSAGE
- 15032** Rope Knob Set - PRIVACY
- 15033** Rope Knob Set - SECTIONAL PRIVACY
- 15034** Rope Knob Set - FULL DUMMY
- 15035** Rope Knob Set - HALF DUMMY

- 15020** Rope Knob Only 2-3/8"
- 14081** Rope Rose Only 2"
- 14091** Rope Rose Only 2-9/16"

INTERIOR KNOB SETS



2" ROSE SETS

- 15041** Knob Set - PASSAGE
- 15042** Knob Set - PRIVACY
- 15043** Knob Set - SECTIONAL PRIVACY
- 15044** Knob Set - FULL DUMMY
- 15045** Knob Set - HALF DUMMY

15048 Knob Mortise Set - PASSAGE

15049 Knob Mortise Set - PRIVACY

2-9/16" ROSE SETS

- 15051** Knob Set - PASSAGE
- 15052** Knob Set - PRIVACY
- 15053** Knob Set - SECTIONAL PRIVACY
- 15054** Knob Set - FULL DUMMY
- 15055** Knob Set - HALF DUMMY

15040 Knob Only 2-3/8"

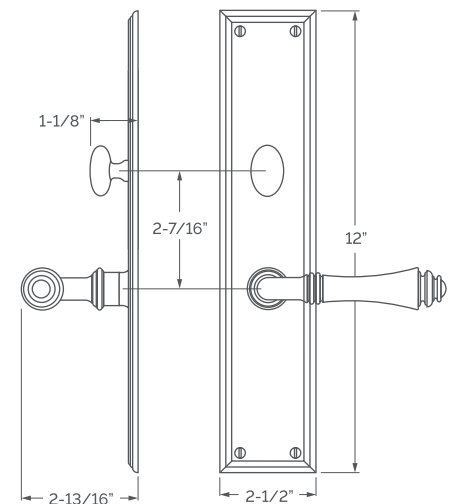
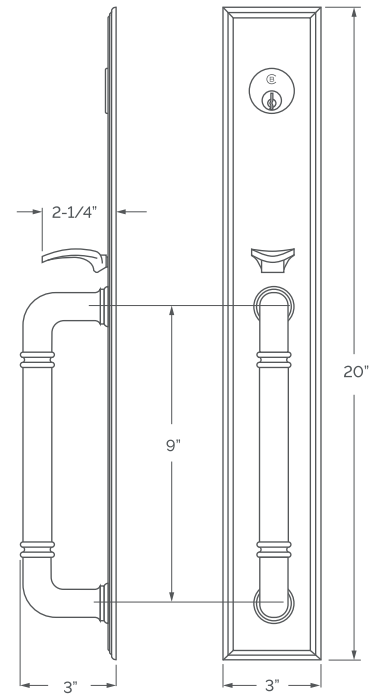
14080 Rose Only 2"

14090 Rose Only 2-9/16"

REMEMBER

1. Specify pre-drilled adapter (#9749) for 2-1/8" pre-drilled doors, which requires the large rose.
2. Specify interior mortise lock for quality installations.
3. All knobs and levers are interchangeable.
4. FULL LIP strikes are standard. Specify SUB "T" strike, if required.
5. Standard backset is 2-3/8" for tubular. If required, specify 2-3/4".
Standard backset is 2-1/2" for mortise. If required, specify 2-3/4".
6. A door thickness greater than 1-3/4" will require a #9900 thick door kit for mortise application.
7. Combination strike and faceplate available for sectional tubular privacy function.

ENTRANCE HANDLE SETS



APPLICATIONS

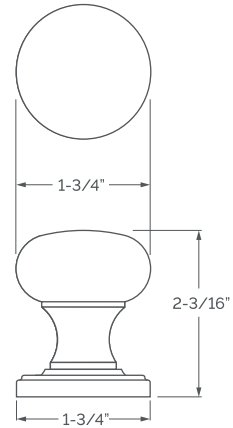
- 7801** Entrance Handle Set - Lever
- 7803** Entrance Handle Set - T/P x T/P
- 7808** Entrance Handle Set - Lever - FULL DUMMY
- 7809** Entrance Handle Set - T/P x T/P - FULL DUMMY

Above sets include 7260 Lever

REMEMBER

1. Standard mortise lock is 2-1/2" EE. Specify 2-3/4" if required.
2. All knobs and levers are interchangeable.
3. A door thickness greater than 1-3/4" will require a #9901 thick door kit.
4. Entrance handle sets are mortise lock only.
5. Custom escutcheon sizes and drilling available.
6. HUTTER OFFSET edge options available.
7. Concealed undermount attachment is standard on exterior escutcheon.
Oval slot head wood screws (4/ea) are standard on interior escutcheon.

INTERIOR KNOB SETS



1-3/4" ROSE SETS

7303 Knob Set - PASSAGE

7311 Knob Set - PRIVACY

7319 Knob Set - FULL DUMMY

7327 Knob Set - HALF DUMMY

7299 Knob Only 1-3/4"

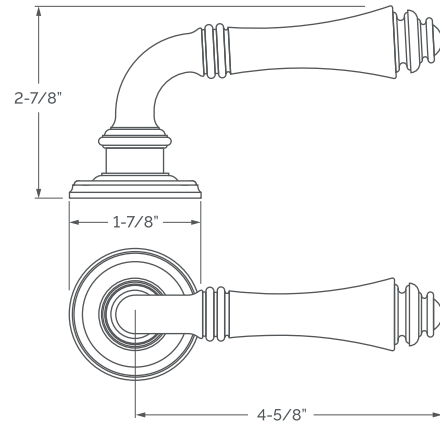
7983 Rose Only 1-3/4"

INTERIOR LEVER SETS



1-7/8" ROSE SETS

- 7262** Lever Set - PASSAGE
- 7263** Lever Set - PRIVACY
- 7265** Lever Set - FULL DUMMY
- 7266** Lever Set - HALF DUMMY



2-9/16" ROSE SETS

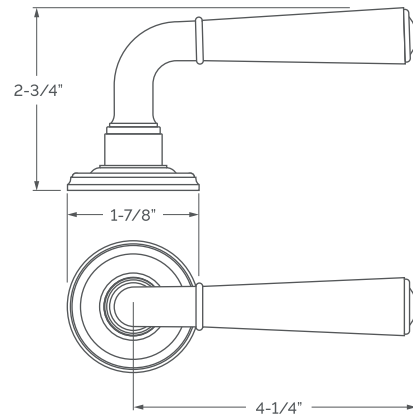
- 7271** Lever Set - PASSAGE
- 7272** Lever Set - PRIVACY
- 7274** Lever Set - FULL DUMMY
- 7275** Lever Set - HALF DUMMY

- 7260** Lever Only 4-5/8"
- 7376** Rose Only 1-7/8"
- 7377** Rose Only 2-9/16"



1-7/8" ROSE SETS

- 7282** Lever Set - PASSAGE
- 7283** Lever Set - PRIVACY
- 7285** Lever Set - FULL DUMMY
- 7286** Lever Set - HALF DUMMY

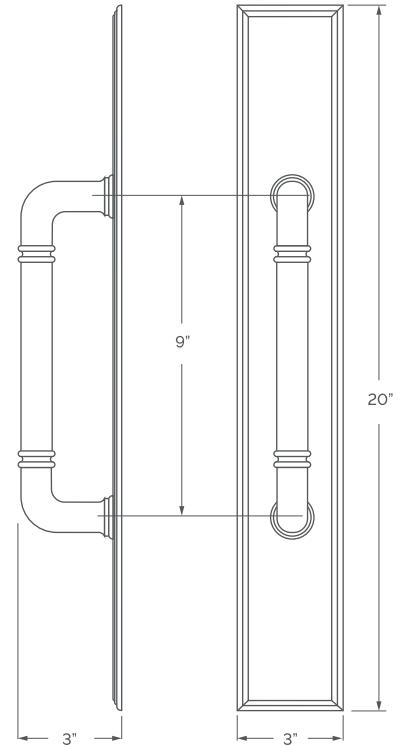


2-9/16" ROSE SETS

- 7291** Lever Set - PASSAGE
- 7292** Lever Set - PRIVACY
- 7294** Lever Set - FULL DUMMY
- 7295** Lever Set - HALF DUMMY

- 7280** Lever Only 4-1/4"
- 7376** Rose Only 1-7/8"
- 7377** Rose Only 2-9/16"

PULLS, PUSH PLATES & PULL PLATES



APPLICATIONS

7888 Pull 9" c-c

7876 Pull Plate 3" x 20" (P) 7888

7877 Complete Set of Back-to-Back Pulls (P) 7888

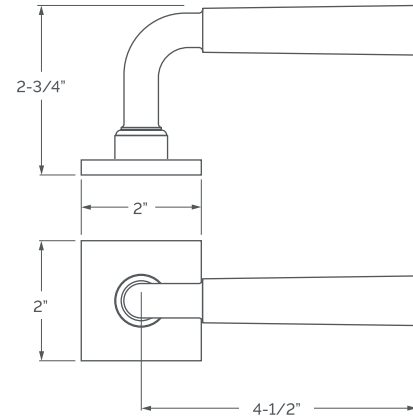
7874 Push Plate 2-1/2" x 12"

7875 Push Plate 3" x 20"

REMEMBER

1. Back-to-back applications available for pulls and pull plates.
Specify #9958 for BTB and #9959 for Single Sided mounting.
2. Custom escutcheon sizes and drilling available.
3. HUTTER OFFSET edge options available.

INTERIOR LEVER SETS



2" ROSE SETS

- 17242** Lever Set - PASSAGE
- 17243** Lever Set - PRIVACY
- 17244** Lever Set - SECTIONAL PRIVACY
- 17245** Lever Set - FULL DUMMY
- 17246** Lever Set - HALF DUMMY

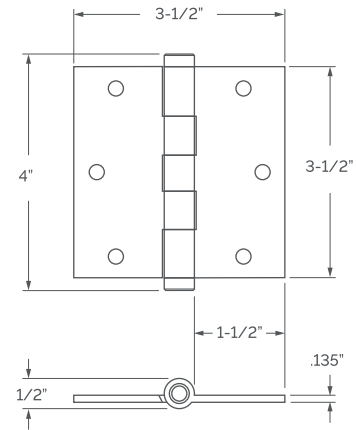
- 17247** Lever Mortise Set - PASSAGE
- 17248** Lever Mortise Set - PRIVACY

2-1/2" ROSE SETS

- 17252** Lever Set - PASSAGE
- 17253** Lever Set - PRIVACY
- 17254** Lever Set - SECTIONAL PRIVACY
- 17255** Lever Set - FULL DUMMY
- 17256** Lever Set - HALF DUMMY

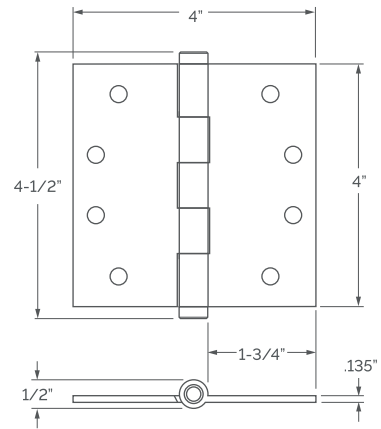
- 17240** Lever Only 4-1/2"
- 17176** Square Rose Only 2"
- 17177** Square Rose Only 2-1/2"

ARCHITECTURAL GRADE HINGES



HINGE - STANDARD 3-1/2" x 3-1/2"

- 16903 Hinge - Hutter Finial
- 16904 Hinge - Shore Finial
- 16905 Hinge - Empire Finial



HINGE - STANDARD 4" x 4"

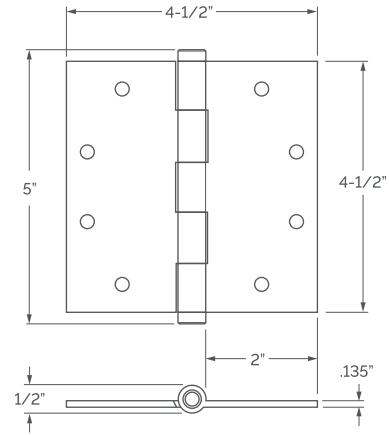
- 16913 Hinge - Hutter Finial
- 16914 Hinge - Shore Finial
- 16915 Hinge - Empire Finial

HINGE - BALL BEARING 4" x 4"

- 16923 Hinge - Hutter Finial
- 16924 Hinge - Shore Finial
- 16925 Hinge - Empire Finial



ARCHITECTURAL GRADE HINGES

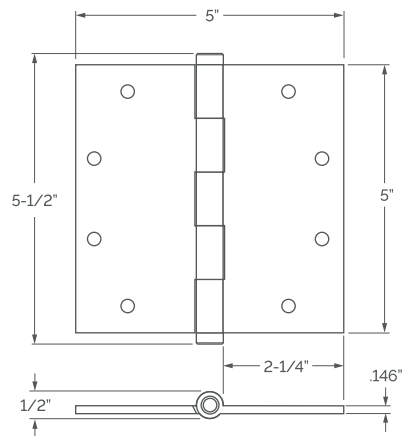


HINGE - STANDARD 4-1/2" x 4-1/2"

- 16813** Hinge - Hutter Finial
- 16814** Hinge - Shore Finial
- 16815** Hinge - Empire Finial

HINGE - BALL BEARING 4-1/2" x 4-1/2"

- 16933** Hinge - Hutter Finial
- 16934** Hinge - Shore Finial
- 16935** Hinge - Empire Finial



HINGE - STANDARD 5" x 5"

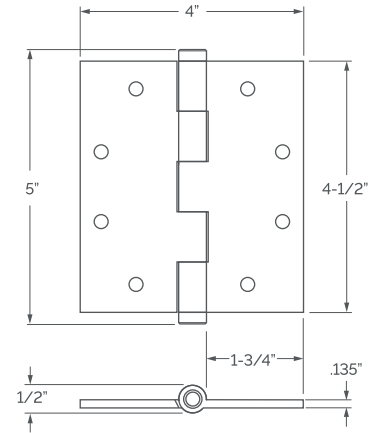
- 16833** Hinge - Hutter Finial
- 16834** Hinge - Shore Finial
- 16835** Hinge - Empire Finial

HINGE - BALL BEARING 5" x 5"

- 16853** Hinge - Hutter Finial
- 16854** Hinge - Shore Finial
- 16855** Hinge - Empire Finial



ARCHITECTURAL GRADE HINGES

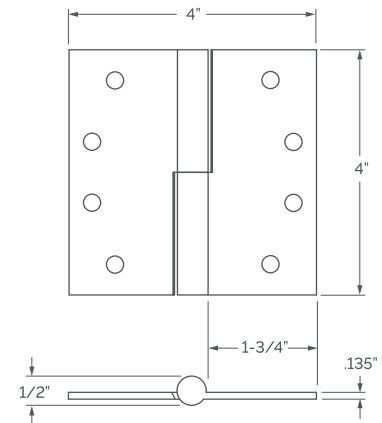


HINGE - STANDARD 4-1/2" x 4"

- 16873** Hinge - Hutter Finial
- 16874** Hinge - Shore Finial
- 16875** Hinge - Empire Finial

HINGE - BALL BEARING 4-1/2" x 4"

- 16893** Hinge - Hutter Finial
- 16894** Hinge - Shore Finial
- 16895** Hinge - Empire Finial



LIFT OFF HINGE

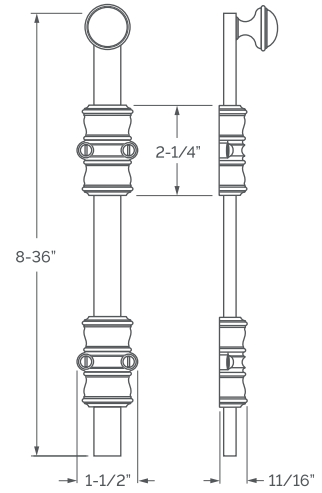
- 16950** Lift Off Hinge - 3-1/2" x 3-1/2" RH/LH
- 16952** Lift Off Hinge - 4" x 4" RH/LH
- 16954** Lift Off Hinge - 4-1/2" x 4-1/2" RH/LH
- 16956** Lift Off Hinge - 5" x 5" RH/LH

REMEMBER

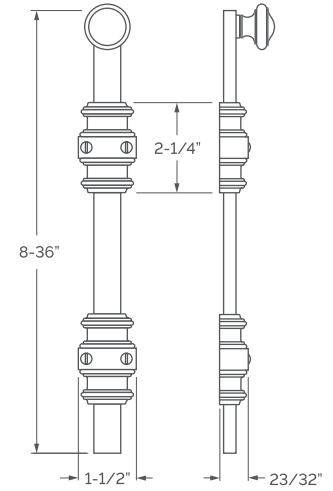
1. NRP Hinges are available. Upcharge will apply.
2. Contact us for your larger or custom size hinges.
3. Architectural hinges can be modified for radius corners.



SURFACE BOLTS



*Shown w/ 1839 knob



*Shown w/ 3010 knob

TRADITIONAL GUIDE

ROUND

- 10350
- 10352
- 10354
- 10356
- 10358
- 10360
- 10362

TRADITIONAL GUIDE

SQUARE

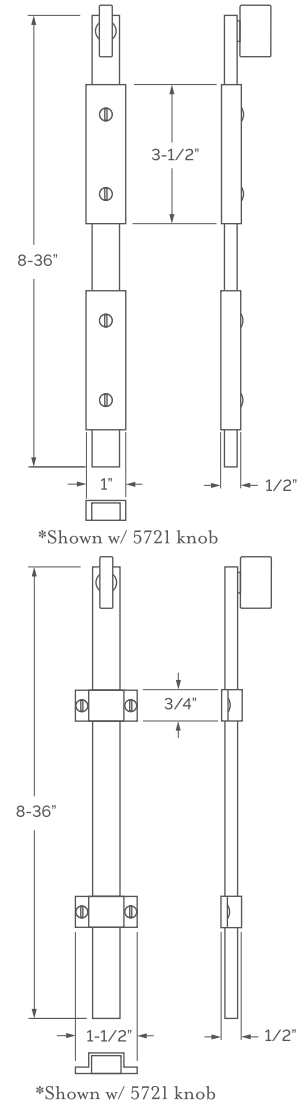
- 10370
- 10372
- 10374
- 10376
- 10378
- 10380
- 10382

- Surface Bolt 8"
- Surface Bolt 12"
- Surface Bolt 16"
- Surface Bolt 18"
- Surface Bolt 24"
- Surface Bolt 30"
- Surface Bolt 36"

REMEMBER

1. If you require a custom size, we can make any length up to 72" or longer.
2. We provide a UNIVERSAL and MORTISE strike with each set, advise if you require an angle strike.
3. Extended lip strikes or custom strikes available, provide details of your requirement.
4. If necessary we can modify the overall length of the guide as required.
5. Custom offset dimensions are available, contact us to discuss your requirements.

SURFACE BOLTS



**MODERN GUIDE
NARROW**

- 10400
- 10402
- 10404
- 10406
- 10408
- 10410
- 10412

**MODERN GUIDE
SHORT**

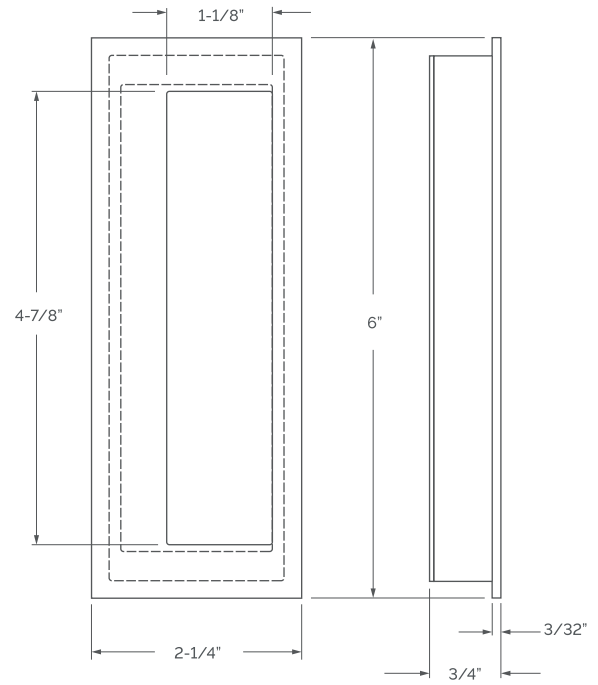
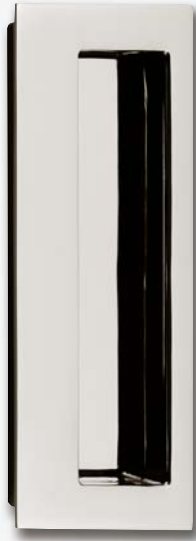
- 10420
- 10422
- 10424
- 10426
- 10428
- 10430
- 10432

- Surface Bolt 8"
- Surface Bolt 12"
- Surface Bolt 16"
- Surface Bolt 18"
- Surface Bolt 24"
- Surface Bolt 30"
- Surface Bolt 36"

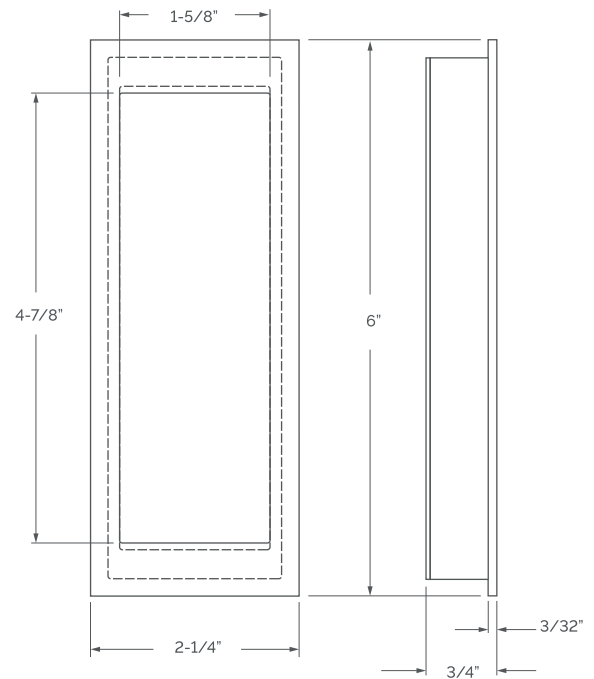
REMEMBER

1. If you require a custom size, we can make any length up to 72" or longer.
2. We provide a UNIVERSAL and MORTISE strike with each set, advise if you require an angle strike.
3. Extended lip strikes or custom strikes available, provide details of your requirement.
4. If necessary we can modify the overall length of the guide as required.
5. Custom offset dimensions are available, contact us to discuss your requirements.

FLUSH PULLS



18500 Offset Flush Pull - PASSAGE



18502 Flush Pull - PASSAGE

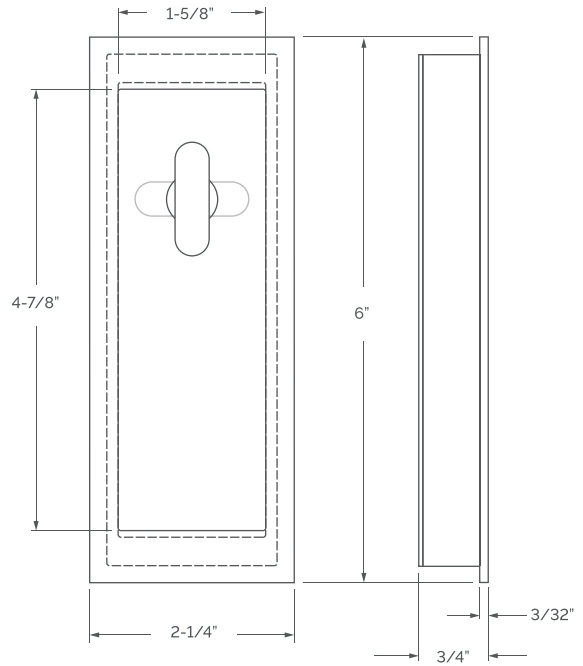
18510 Flush Pull Set - PASSAGE W/ 9730

18512 Flush Pull Set - PASSAGE W/ 2000

FLUSH PULLS



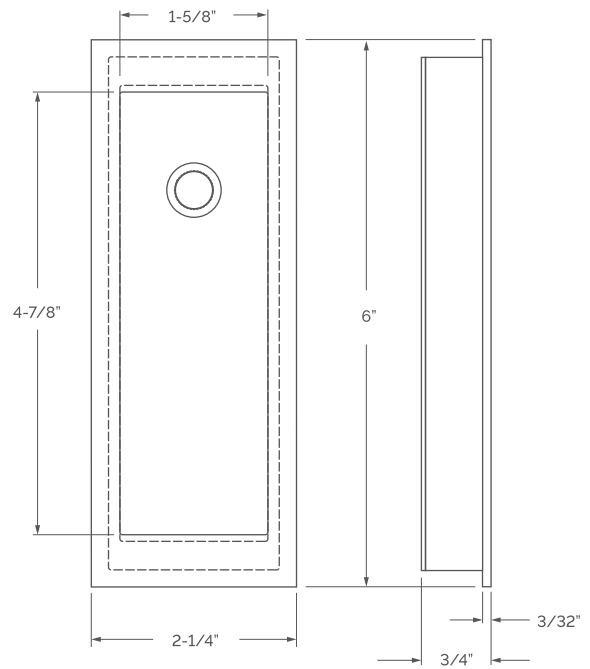
18504 Flush Pull - PRIVACY W/ TURNPIECE



18514 Flush Pull Set - PRIVACY W/ 2002



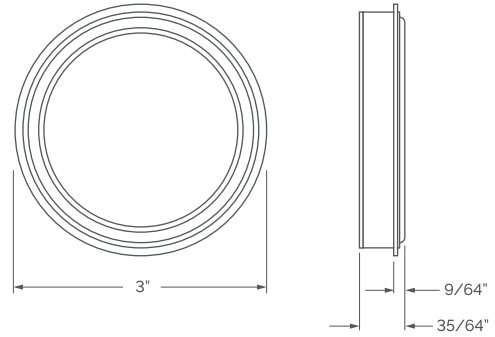
18506 Flush Pull - PRIVACY W/ EE



FLUSH PULLS



18520 Flush Pull - PASSAGE

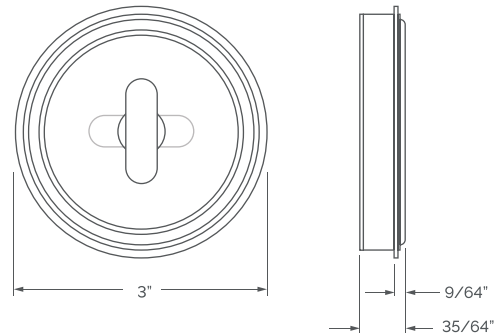


18530 Flush Pull Set - PASSAGE W/ 9730

18532 Flush Pull Set - PASSAGE W/ 2002

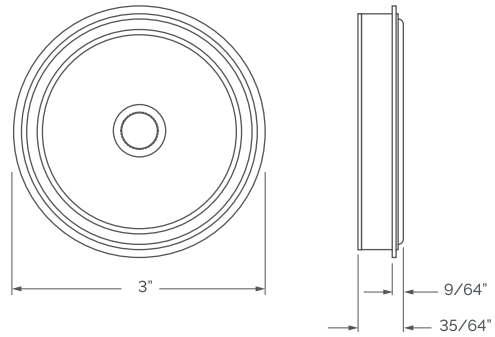


18522 Flush Pull - PRIVACY W/ TURNPIECE

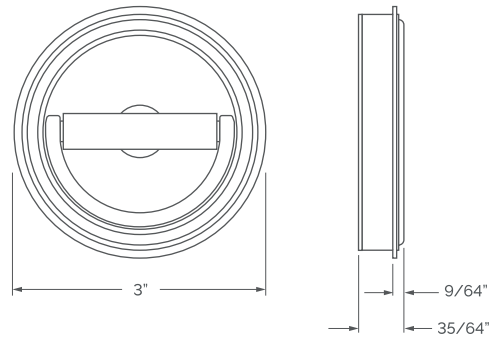


18534 Flush Pull Set - PRIVACY W/ 2002

FLUSH PULLS

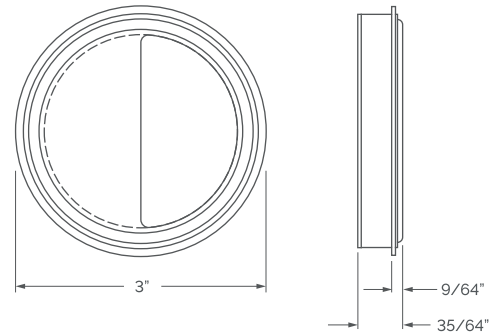


18524 Flush Pull - PRIVACY W/ EE

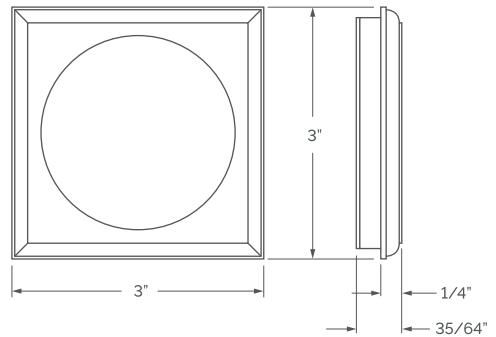


18526 Flush Pull - W/ RING PULL

FLUSH PULLS



18528 Flush Pull - OFFSET PASSAGE

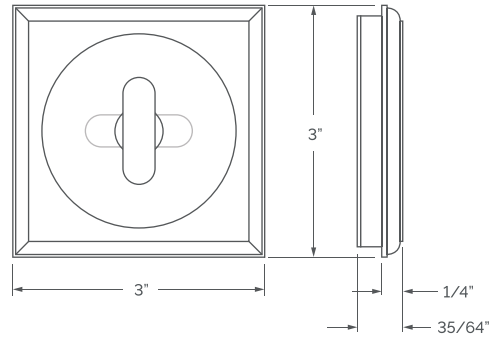


18540 Square Flush Pull - PASSAGE

18550 Square Flush Pull Set - PASSAGE W/ 9730

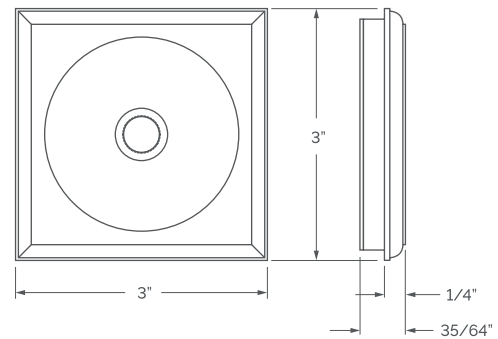
18552 Square Flush Pull Set - PASSAGE W/ 2000

FLUSH PULLS



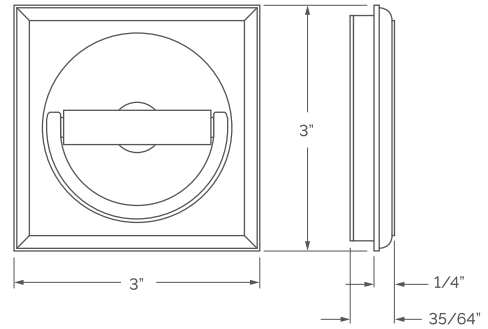
18542 Square Flush Pull - PRIVACY W/ TURNPIECE

18554 Square Flush Pull Set - PRIVACY W/ 2002

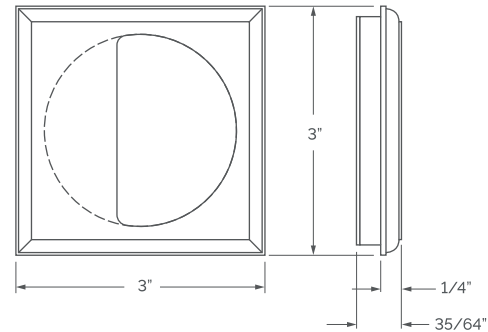


18544 Square Flush Pull - PRIVACY W/ EE

FLUSH PULLS

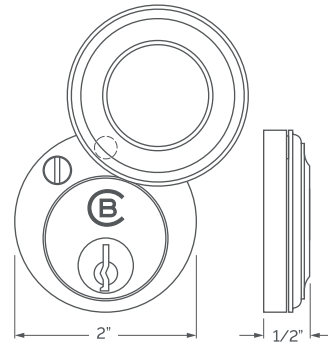


18546 Square Flush Pull - W/ RING PULL

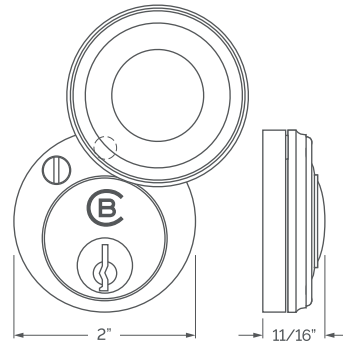


18548 Square Flush Pull - OFFSET PASSAGE

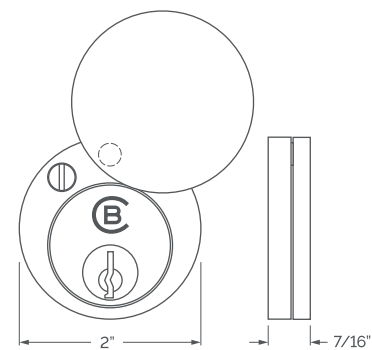
SWING COVERS



18980 Swing Cover - Traditional

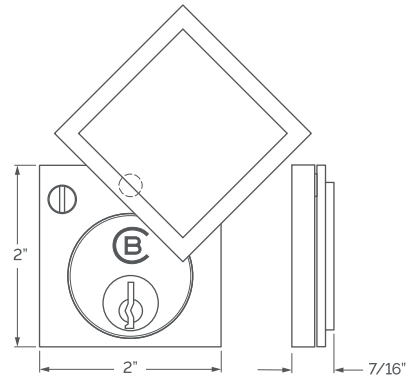


18982 Swing Cover - Chautauqua



18984 Swing Cover - Modern

SWING COVERS

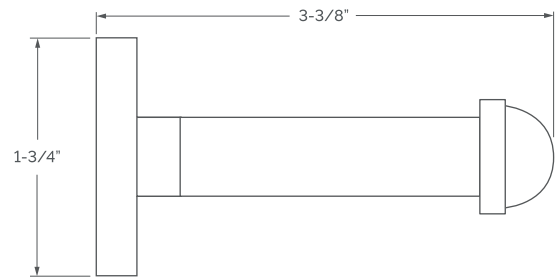


18986 Swing Cover - Square

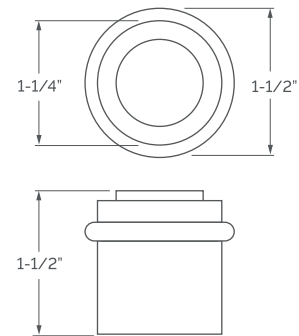
REMEMBER

1. Only available with mortise lock cylinders.
2. Mortise cylinders ordered separately.

DOOR STOPS



9744 Modern Wall Door Stop



17672 Shore Door Stop

REMEMBER

1. Should you require a modified height on the floor door stop - contact us.

25
Ⓟ

CLASSIC BRASS

CELEBRATING AMERICAN ARTISTRY

CLASSIC-BRASS.COM

2051 STONEMAN CIRCLE
LAKEWOOD, NY 14750

(716) 763-1400
(800) 869-3173